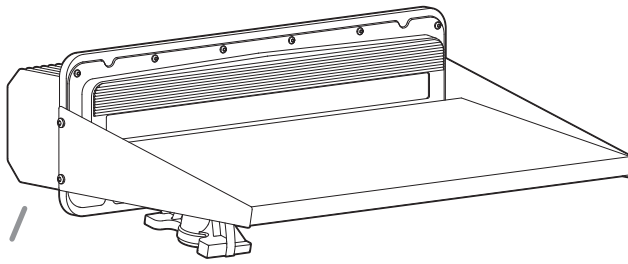
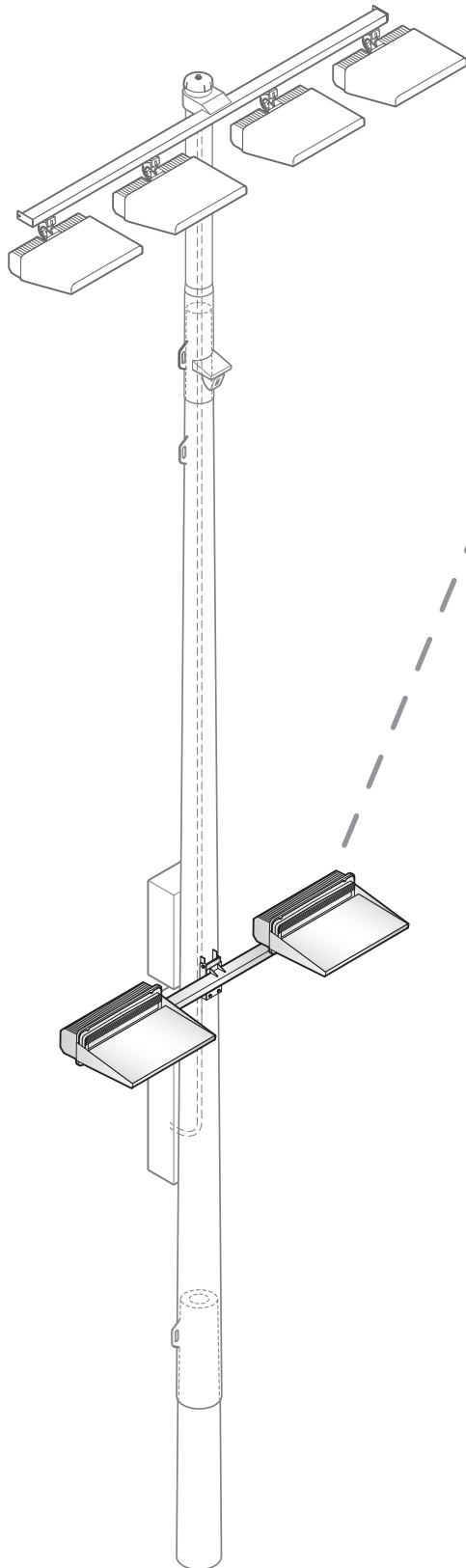


**Luminaire and Driver – TLC-BT-575**



**Luminaire Data**

Weight (luminaire)	34 lb (15 kg)
UL listing number	E338094
UL listed for USA/Canada	UL1598 CSA-C22.2 No.250.0
CE Declaration	LVD, EMC, RoHS
Ingress protection (luminaire)	IP65
Impact rating	IK07
Material and finish	Aluminum, powder-coat painted
Wind speed rating (aiming only)	150 mi/h (67 m/s)
UL, IEC ambient temperature rating (luminaire)	50°C (122°F)

**Photometric Characteristics**

Projected lumen maintenance per IES TM-21-11	
L90 (20k)	>120,000 h
L80 (20k)	>120,000 h
L70 (20k)	>120,000 h
Lumens <sup>1</sup>	51,480
CIE correlated color temperature	4500 K
Color rendering index (CRI)	75 typ, 70 min
LED binning tolerance	7-step MacAdam Ellipse

Footnotes:

1) Incorporates appropriate dirt depreciation factor for life of luminaire.

**All components from foundation to poletop are designed to work together in Light-Structure System™ to ensure reliable, trouble-free operation.**

## Luminaire and Driver – TLC-BT-575

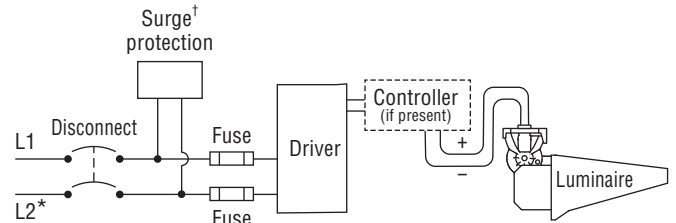
### Driver Data

#### Electrical Data

Rated wattage<sup>1</sup>

Per driver	575 W
Per luminaire	575 W
Number of luminaires per driver	1
Starting (inrush) current	<40 A, 256 μs
Fuse rating	15 A
UL, IEC ambient temperature rating, electrical components enclosure	50°C (122°F)
Ingress protection, electrical components enclosure	IP54
Efficiency	95%
Total harmonic distortion (THD) at full output	<20%

### Typical Wiring



\* If L2 is neutral then not switched or fused.  
 † Not present if indoor installation.

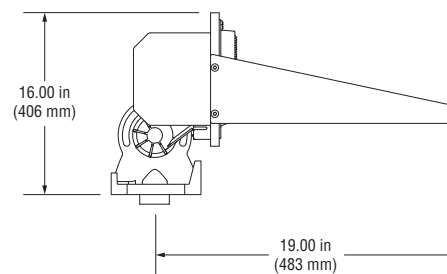
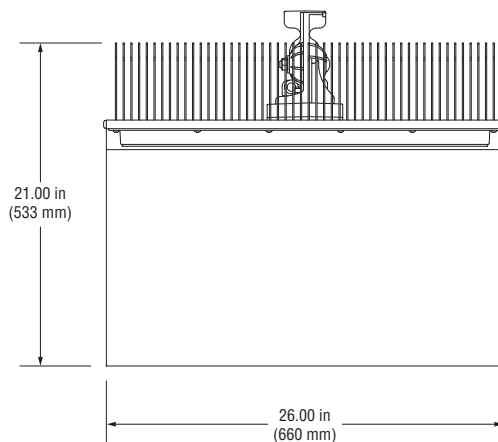
	200 Vac 50/60 Hz	208 Vac 60 Hz	220 Vac 50/60 Hz	230 Vac 50 Hz	240 Vac 50/60 Hz	277 Vac 60 Hz	347 Vac 60 Hz	380 Vac 50/60 Hz	400 Vac 50 Hz	415 Vac 50 Hz	480 Vac 60 Hz
<b>Max operating current per luminaire<sup>2</sup></b>	3.48 A	3.35 A	3.16 A	3.03 A	2.90 A	2.51 A	2.01 A	1.83 A	1.74 A	1.68 A	1.45 A

#### Footnotes:

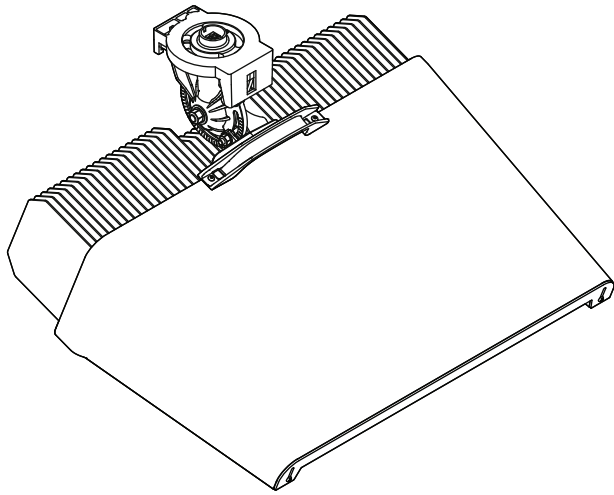
- 1) Rated wattage is the power consumption, including driver efficiency losses, at stabilized operation in 25°C ambient temperature environment.
- 2) Operating current includes allowance for 0.90 minimum power factor, operating temperature, and LED light source manufacturing tolerances.

#### Notes

1. Use thermal magnetic HID-rated or D-curve circuit breakers.
2. See *Musco Control System Summary* for circuit information.



# Datasheet: TLC-LED-900 Luminaire and Driver

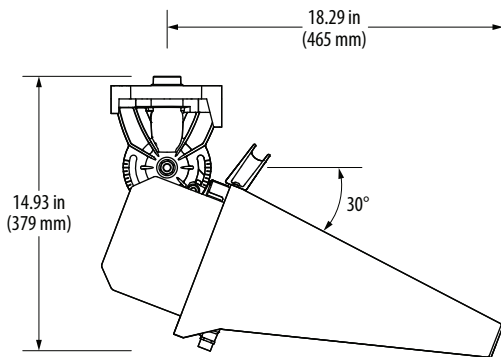
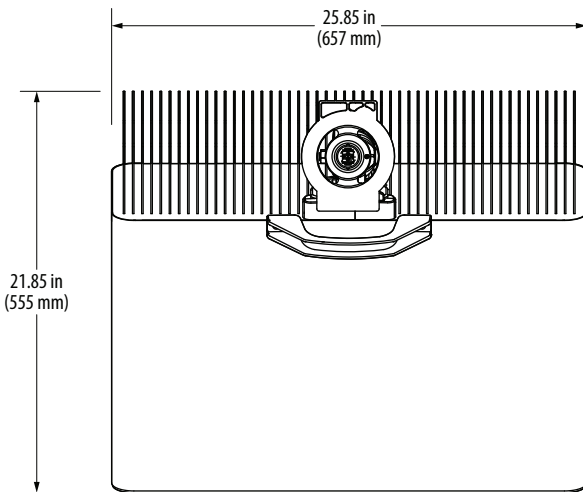


## Luminaire Data

Weight (luminaire)	40 lb (18 kg)
UL listing number	E338094
UL listed for USA/Canada	UL1598 CSA-C22.2 No.250.0
CE Declaration	LVD, EMC, RoHS
Ingress protection (luminaire)	IP66
Impact rating	IK07
Material and finish	Aluminum, powder-coat painted
Wind speed rating (aiming only)	150 mi/h (67 m/s)
UL, IEC ambient temperature rating (luminaire)	50°C (122°F)

## Photometric Characteristics

Projected lumen maintenance per IES TM-21-11	
L90 (20k)	>120,000 h
L80 (20k)	>120,000 h
L70 (20k)	>120,000 h
Lumens <sup>1</sup>	102,960
CIE correlated color temperature	4500 K
Color rendering index (CRI)	75 typ, 70 min
LED binning tolerance	5-step MacAdam Ellipse



### Footnotes:

- 1) Value represents most common optical variation. Incorporates appropriate dirt depreciation factor for life of luminaire.

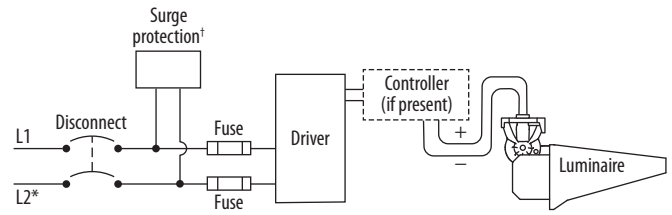
# Datasheet: TLC-LED-900 Luminaire and Driver

## Driver Data

### Electrical Data

Rated wattage <sup>1</sup>	
Per driver	880 W
Per luminaire	880 W
Number of luminaires per driver	1
Starting (inrush) current	<40 A, 256 $\mu$ s
Fuse rating	15 A
UL, IEC ambient temperature rating (electrical components enclosure)	50°C (122°F)
Ingress protection (electrical components enclosure)	IP54
Efficiency	95%
Dimming mode	optional
Range, energy consumption	21 – 100%
Range, light output	26 – 100%
Flicker	<2%
Total harmonic distortion (THD) at full output	<20%

### Typical Wiring



\* If L2 is neutral then not switched or fused.  
 † Not present if indoor installation.

	200 Vac 50/60 Hz	208 Vac 60 Hz	220 Vac 50/60 Hz	230 Vac 50 Hz	240 Vac 50/60 Hz	277 Vac 60 Hz	347 Vac 60 Hz	380 Vac 50/60 Hz	400 Vac 50 Hz	415 Vac 50 Hz	480 Vac 60 Hz
<b>Max operating current per luminaire<sup>2</sup></b>	5.43 A	5.22 A	4.93 A	4.72 A	4.52 A	3.92 A	3.13 A	2.86 A	2.72 A	2.62 A	2.26 A

#### Footnotes:

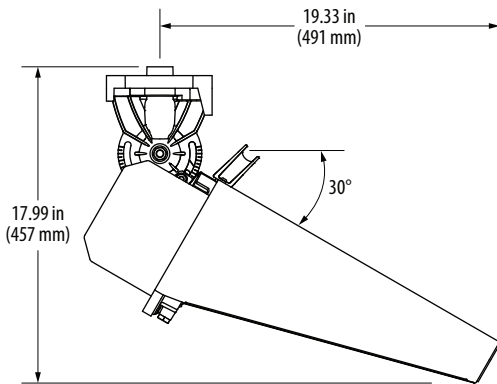
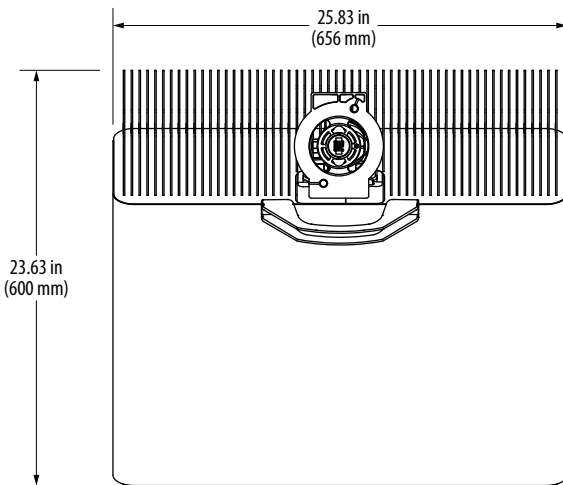
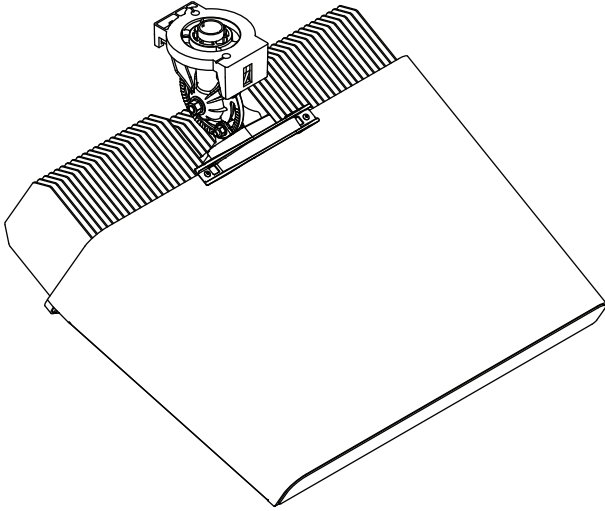
- 1) Rated wattage is the power consumption, including driver efficiency losses, at stabilized operation in 25°C ambient temperature environment.
- 2) Operating current includes allowance for 0.90 minimum power factor, operating temperature, and LED light source manufacturing tolerances.

#### Notes

1. Use thermal magnetic HID-rated or D-curve circuit breakers.
2. See *Musco Control System Summary* for circuit information.



# Datasheet: TLC-LED-1200 Luminaire and Driver



## Luminaire Data

Weight (luminaire)	45 lb (20 kg)
UL listing number	E338094
UL listed for USA/Canada	UL1598 CSA-C22.2 No.250.0
CE Declaration	LVD, EMC, RoHS
Ingress protection (luminaire)	IP66
Impact rating	IK07
Material and finish	Aluminum, powder-coat painted
Wind speed rating (aiming only)	150 mi/h (67 m/s)
UL, IEC ambient temperature rating (luminaire)	50°C (122°F)

## Photometric Characteristics

Projected lumen maintenance per IES TM-21-11	
L90 (20k)	>120,000 h
L80 (20k)	>120,000 h
L70 (20k)	>120,000 h
Lumens <sup>1</sup>	148,500
CIE correlated color temperature	4500 K
Color rendering index (CRI)	75 typ, 70 min
LED binning tolerance	5-step MacAdam Ellipse

### Footnotes:

1) Value represents most common optical variation. Incorporates appropriate dirt depreciation factor for life of luminaire.

# Datasheet: TLC-LED-1200 Luminaire and Driver

## Driver Data

### Electrical Data

Rated wattage <sup>1</sup>	
Per driver	1170 W
Per luminaire	1170 W
Number of luminaires per driver	1
Starting (inrush) current	<40 A, 256 $\mu$ s
Fuse rating	15 A
UL, IEC ambient temperature rating (electrical components enclosure)	50°C (122°F)
Ingress protection (electrical components enclosure)	IP54
Efficiency	95%
Dimming mode	optional
Range, energy consumption	13 – 100%
Range, light output	18 – 100%
Flicker	<2%
Total harmonic distortion (THD) at full output	<20%

	200 Vac 50/60 Hz	208 Vac 60 Hz	220 Vac 50/60 Hz	230 Vac 50 Hz	240 Vac 50/60 Hz	277 Vac 60 Hz	347 Vac 60 Hz	380 Vac 50/60 Hz	400 Vac 50 Hz	415 Vac 50 Hz	480 Vac 60 Hz
<b>Max operating current per luminaire<sup>2</sup></b>	7.20 A	6.92 A	6.54 A	6.26 A	6.00 A	5.20 A	4.15 A	3.79 A	3.60 A	3.47 A	3.00 A

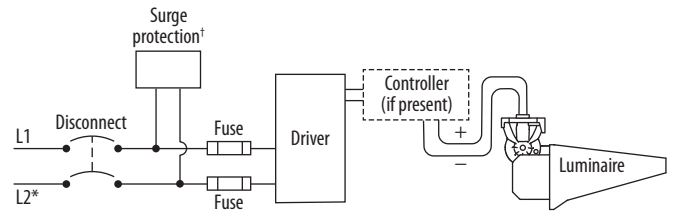
#### Footnotes:

- 1) Rated wattage is the power consumption, including driver efficiency losses, at stabilized operation in 25°C ambient temperature environment.
- 2) Operating current includes allowance for 0.90 minimum power factor, operating temperature, and LED light source manufacturing tolerances.

#### Notes

1. Use thermal magnetic HID-rated or D-curve circuit breakers.
2. See *Musco Control System Summary* for circuit information.

### Typical Wiring



\* If L2 is neutral then not switched or fused.  
 † Not present if indoor installation.