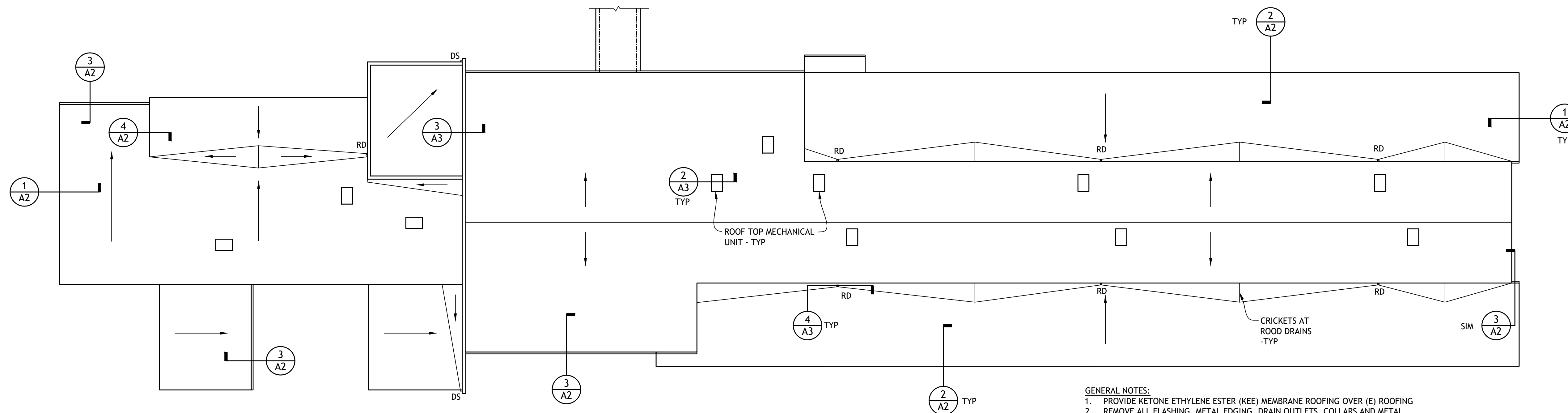


Olympic Elementary Roof Replacement
1324 30th Ave, Longview, WA 98632



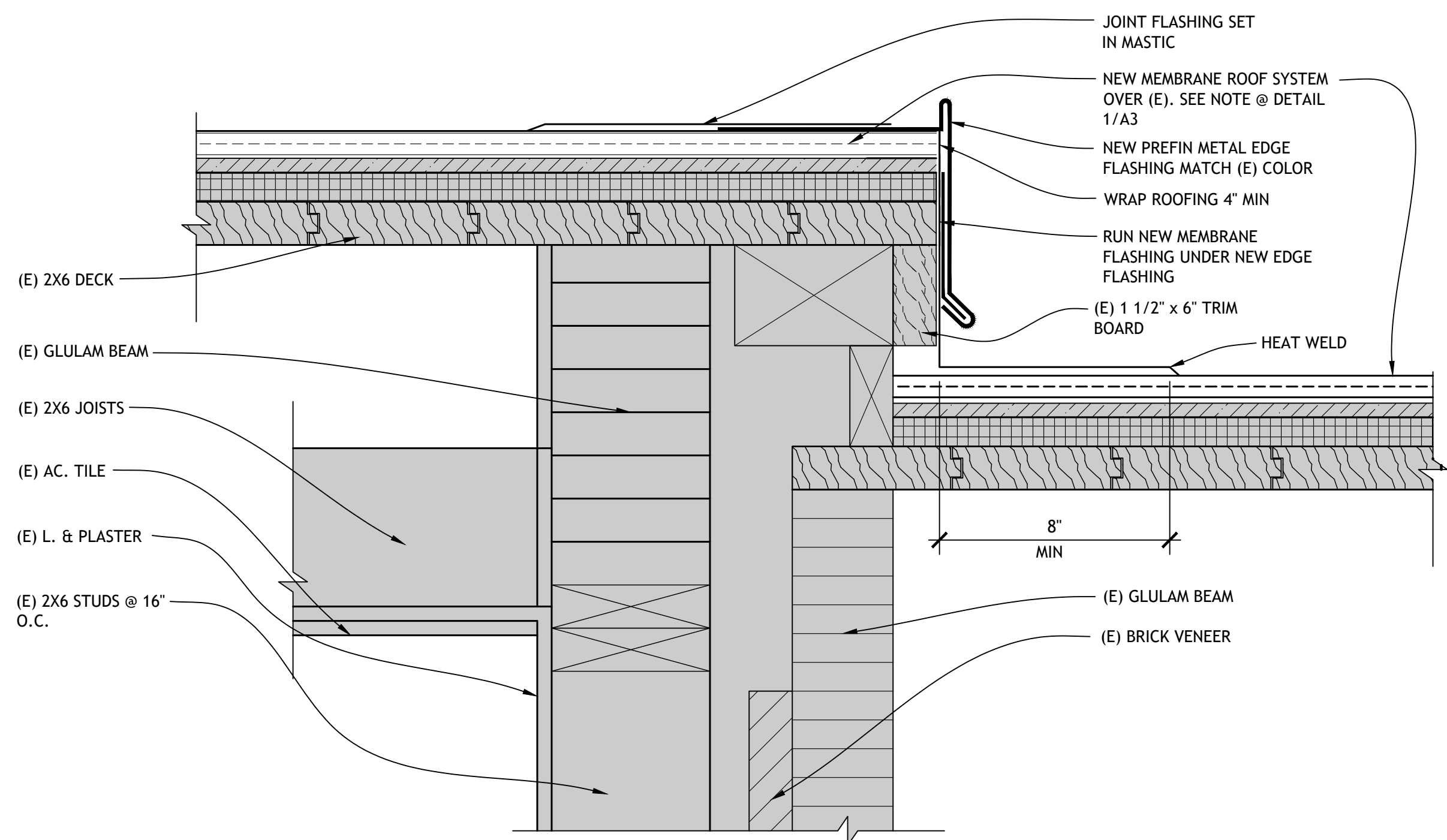
MAIN SCHOOL BUILDING ROOF PLAN
1/16" = 1'-0" APPROX 29,460 SF

- GENERAL NOTES:**
1. PROVIDE KETONE ETHYLENE ESTER (KEE) MEMBRANE ROOFING OVER (E) ROOFING
 2. REMOVE ALL FLASHING, METAL EDGING, DRAIN OUTLETS, COLLARS AND METAL COUNTER-FLASHING WHERE NEW ROOFING IS SCHEDULED.
 3. INSPECT ALL EXISTING EXPOSED STRUCTURE (DECKING, SHEATHING, BEAMS) FOR DAMAGE AND PROVIDE A REPORT NOTING LOCATION AND TYPE OF DAMAGE.
 4. NOTIFY ARCHITECT OF ANY EXISTING ELEMENTS SUSPECTED OF DAMAGE OR DRYROT NOT NOTED IN DRAWINGS. ALL DAMAGED ELEMENTS SHALL BE REMOVED IN THEIR ENTIRETY AND REPLACED WITH NEW MEMBERS. GC TO PROVIDE TEMPORARY SHORING AS REQUIRED.
 5. ROOFTOP UNITS ARE SHOWN ON ROOF PLAN. VENTS AND OTHER PENETRATIONS ARE NOT SHOWN. PROVIDE THE APPROPRIATE NEW FLASHING OR BOOT FOR THE SPECIFIC PENETRATION THROUGH THE ROOF.
 6. RE-FLASH ALL (E) ROOF PENETRATIONS.
 7. RE-FLASH ALL (E) PENETRATIONS IN UPPER WALL CLADDING (CONDUIT, LOUVERS, ETC.)
 8. REPLACE DAMAGED GUTTERS AS REQD. CLEAN AND INSPECT EXISTING ROOF DRAINS, GUTTERS AND DOWNSPOUTS FOR DAMAGE. REMOVE AND REPLACE AS REQD TO ACCOMMODATE NEW ROOFING.

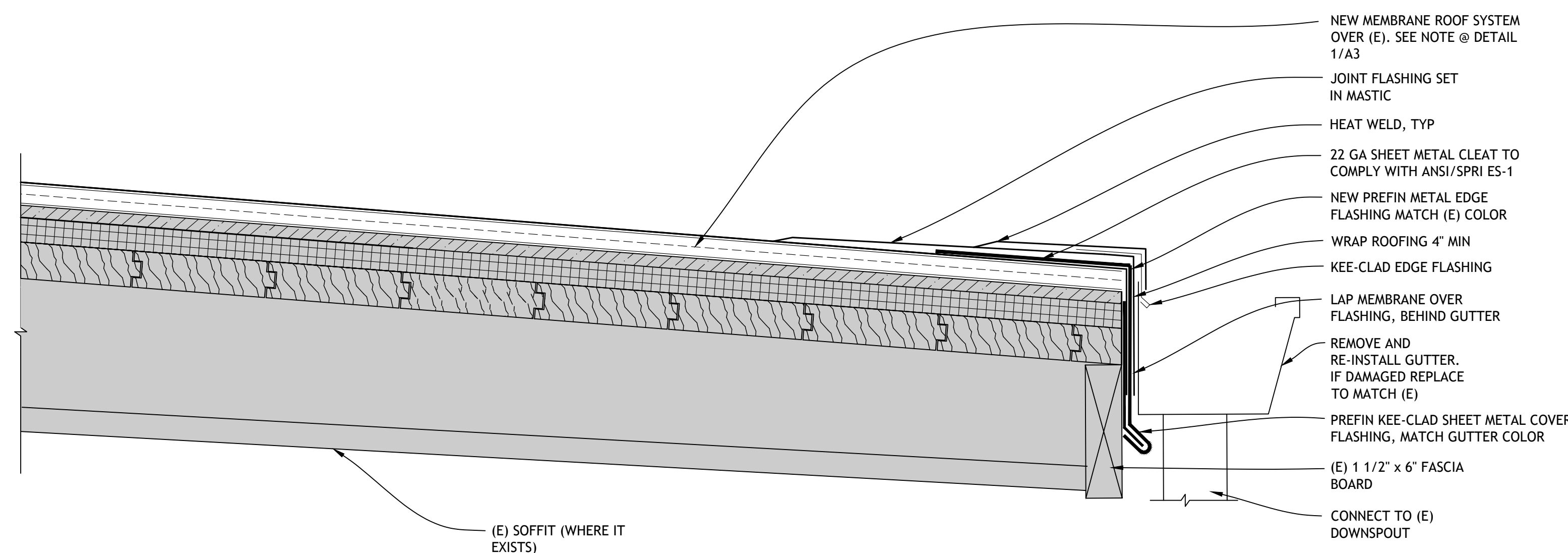
MRK	DATE	DESCRIPTION
0	4/20/26	ISSUE FOR BID / PERMIT

JOB NUMBER:
2602.6

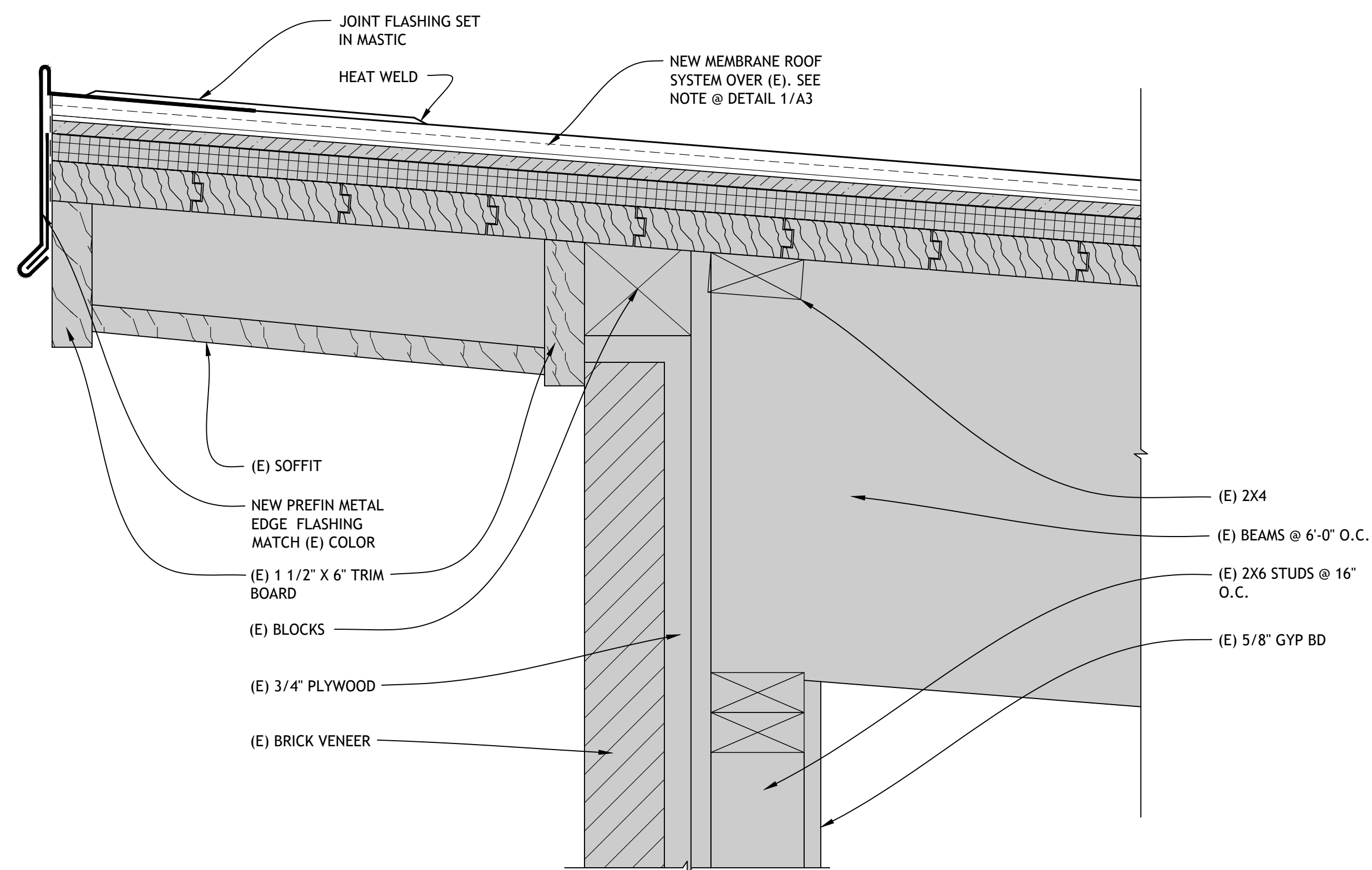
SHEET:
A1
ROOF PLANS



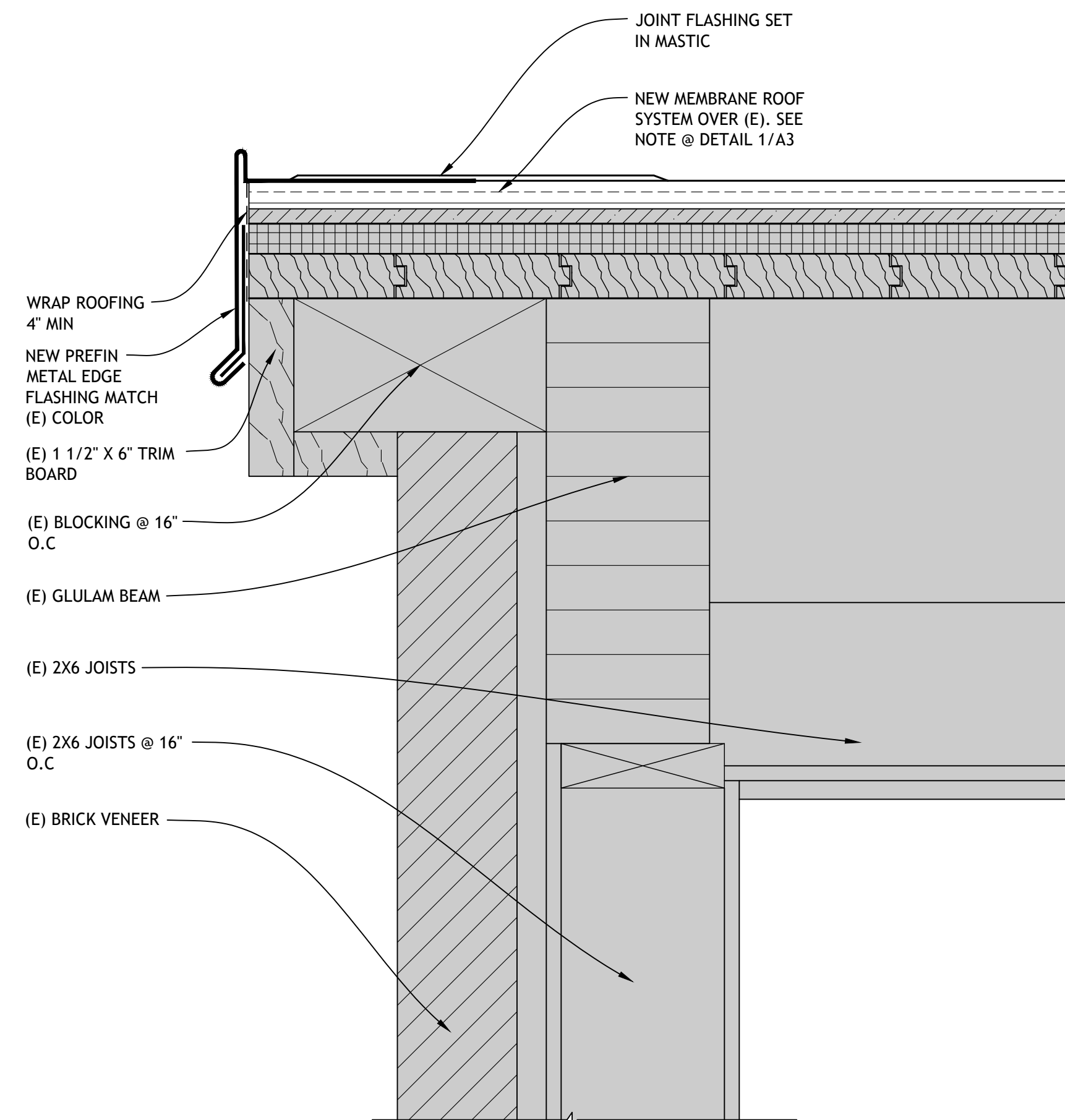
4
A2
ROOF EDGE @ TRANSITION
3" = 1'-0"



3
A2
TYP ROOF EDGE @ GUTTER
3" = 1'-0"



2
A2
TYP ROOF EDGE @ TOP OF SLOPE
3" = 1'-0"



1
A2
TYP ROOF EDGE @ BARGE
3" = 1'-0"

MRK	DATE	DESCRIPTION
0	4/20/26	ISSUE FOR BID / PERMIT

JOB NUMBER:
2602.6

SHEET:

A2

DETAILS

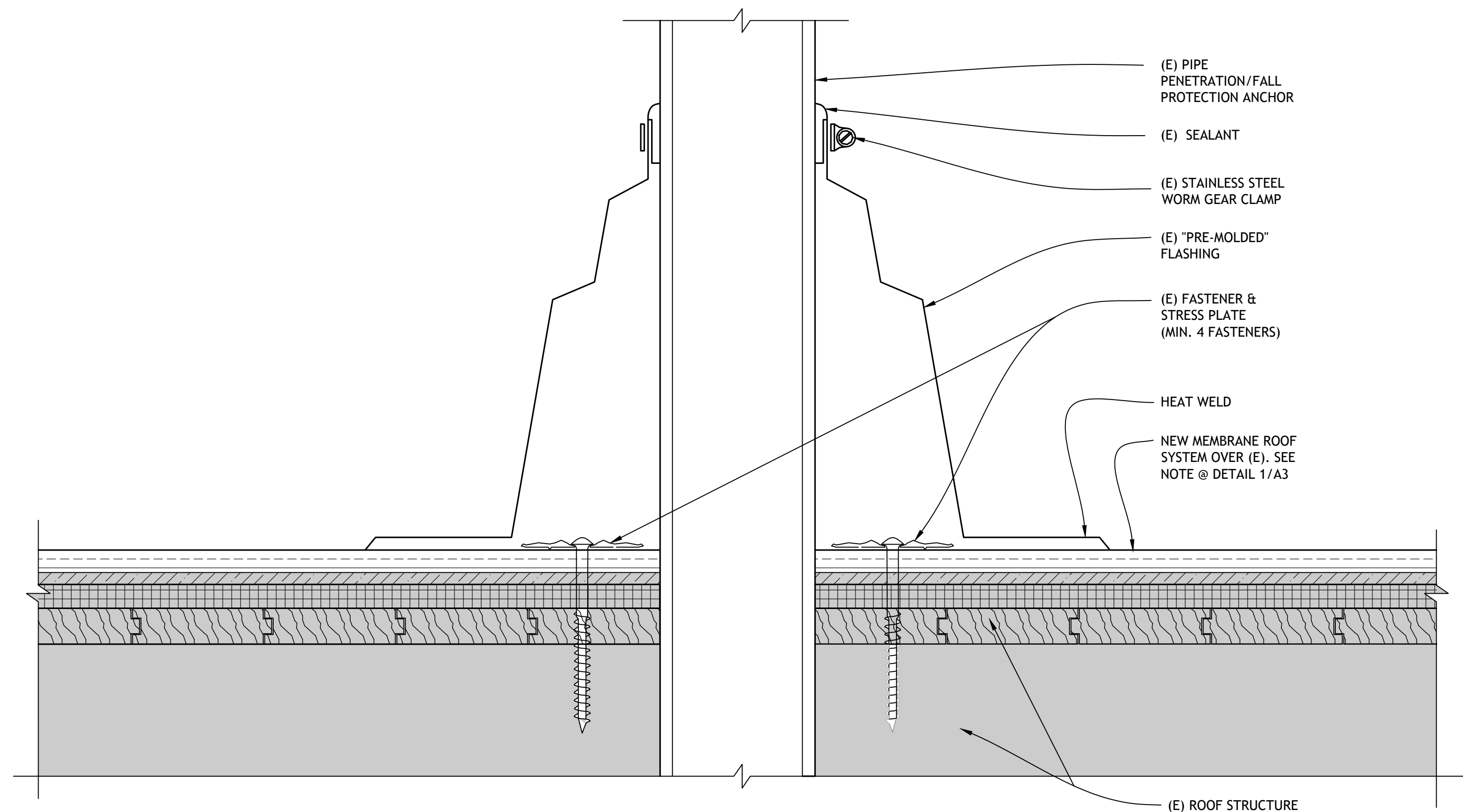
MRK	DATE	DESCRIPTION
0	4/20/26	ISSUE FOR BID / PERMIT

JOB NUMBER:
2602.6

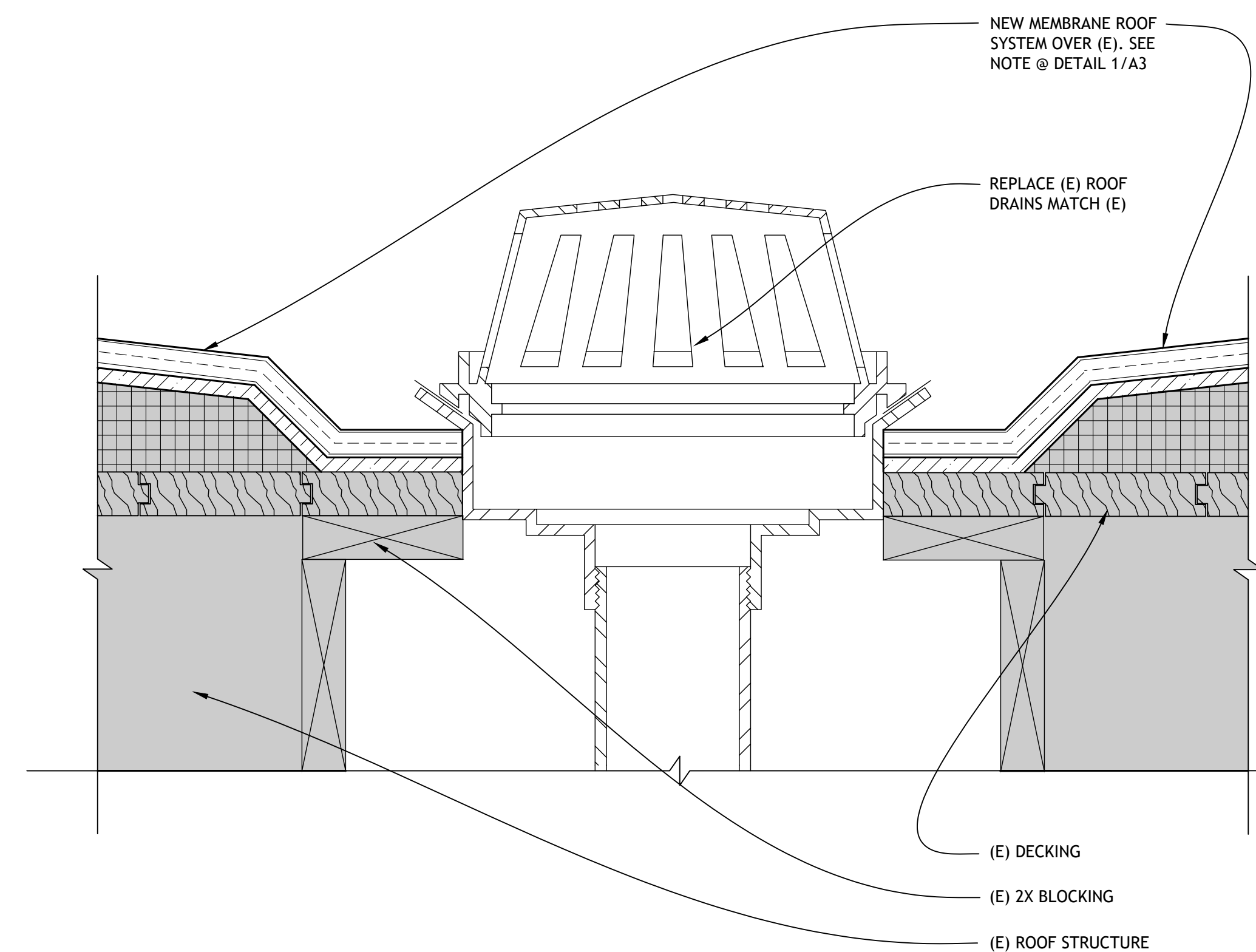
SHEET:

A3

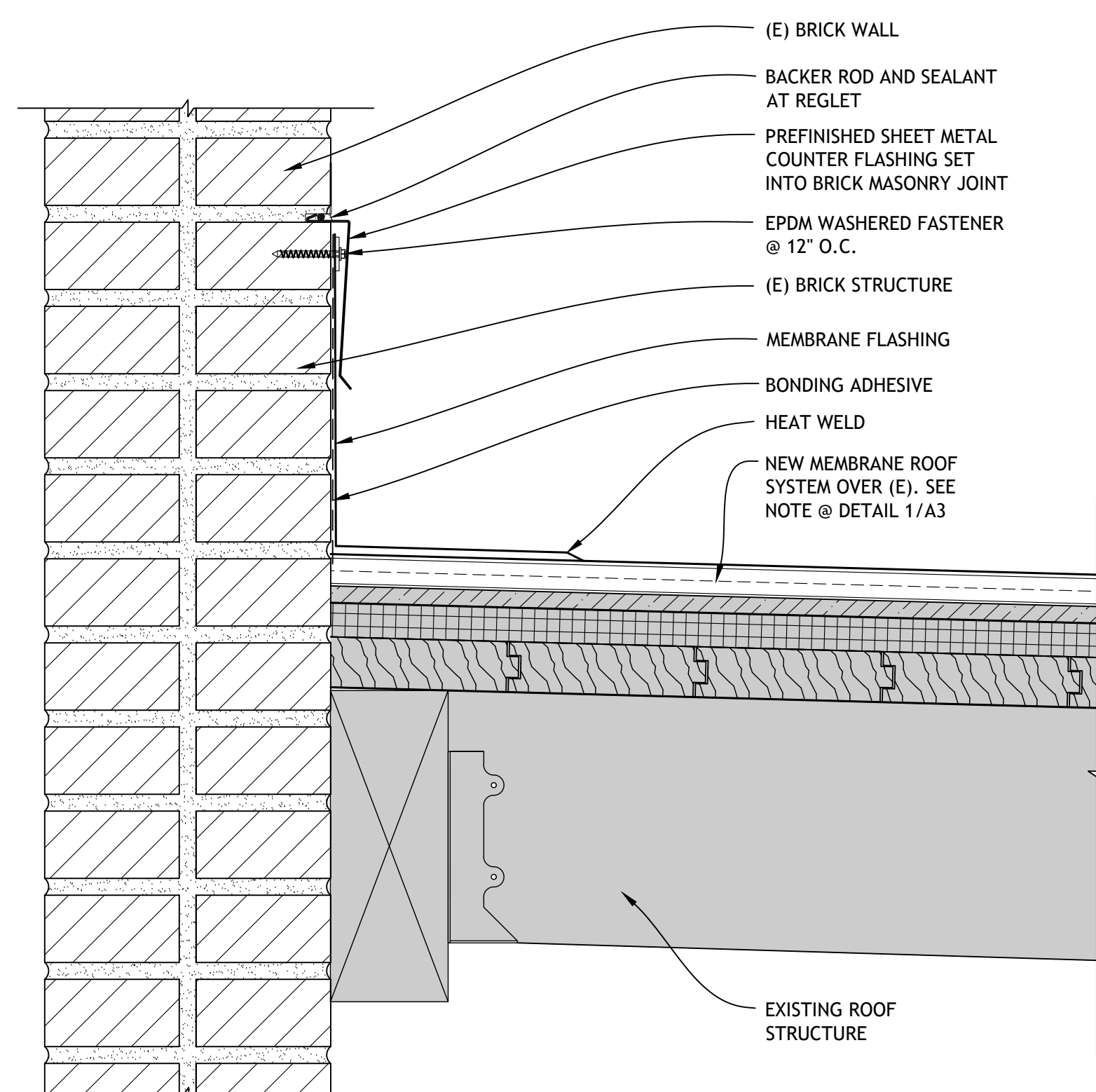
DETAILS



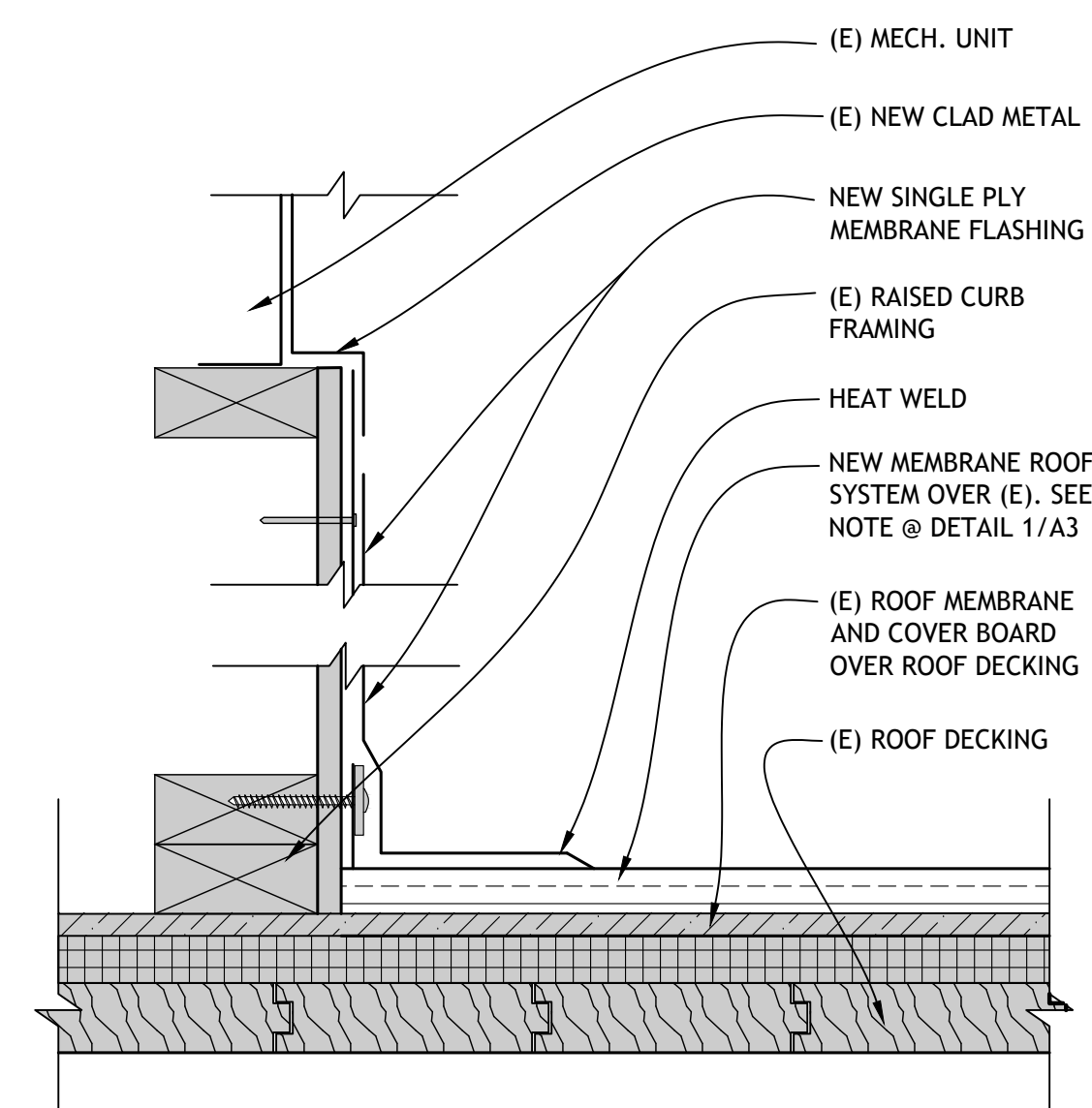
5
A3 TYP PIPE PENETRATION DETAIL
3" = 1'-0"



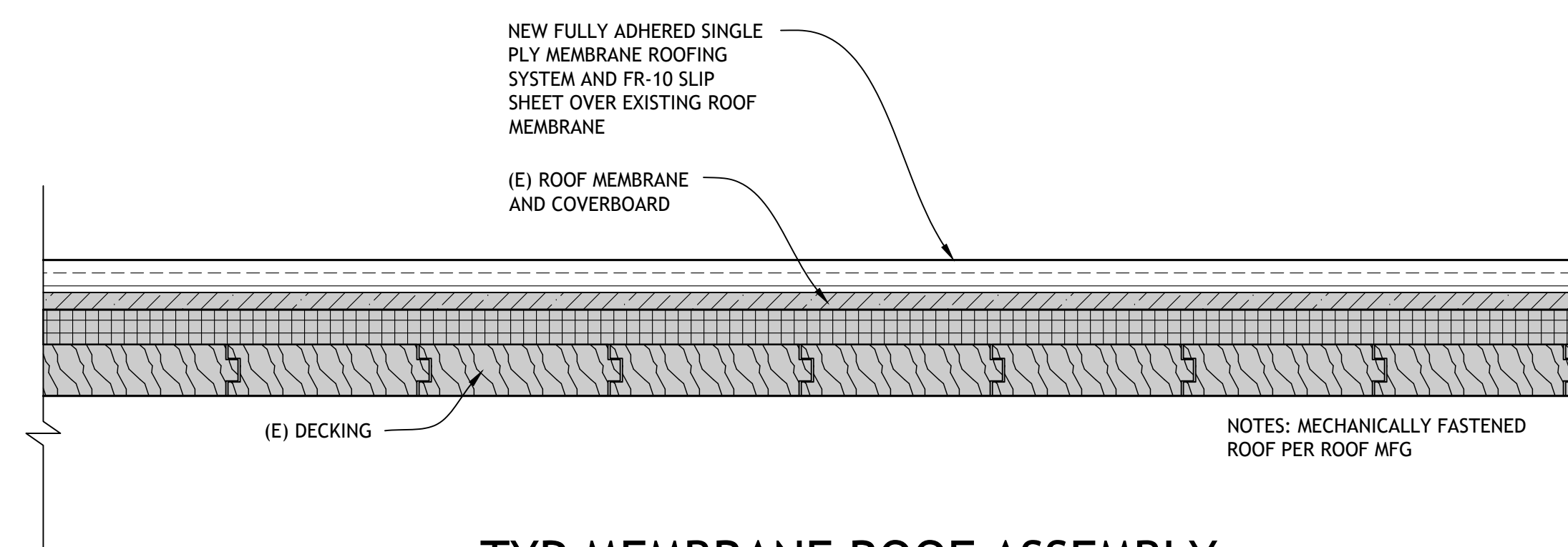
4
A3 TYP ROOF DRAIN DETAIL
3" = 1'-0"



3
A3 TYP COUNTER FLASHING
3" = 1'-0"



2
A3 TYP MECHANICAL CURB
3" = 1'-0"



1
A3 TYP MEMBRANE ROOF ASSEMBLY
3" = 1'-0"