

LEGAL NOTICE
CONNELLSVILLE AREA SCHOOL DISTRICT

The Connellsville Area School District is seeking and will accept sealed bids for the purchase of a Vulcan K20GL Natural Gas 20-Gallon Stationary Kettle that meets the full and complete specifications of the School District, a full copy of which may be obtained from the Connellsville Area School District on the District website (www.casdfalcons.org) or by contacting the Director of Buildings and Grounds at 732 Rockridge Road, Connellsville, PA 15425, between the hours of 8:00 a.m. and 3:00 p.m., prevailing time, Mondays through Fridays.

Bids shall be delivered and received by the School District at the above stated address no later than 1:00 p.m. prevailing time, on Wednesday, April 22, 2026, and the bids will be opened at 1:30 p.m. on Wednesday, April 22, 2026. Bids shall be submitted in sealed envelopes bearing the name of the Bidder and shall be clearly marked "Stationary Kettle".

The School District reserves the right to accept or reject any or all bids, to waive any technical defects, inconsistencies, or minor irregularities, and to accept the bid deemed most advantageous to the School District.

Connellsville Area School District

Connellsville Area School District

Vulcan K20GL Natural Gas 20-Gallon Stationary Kettle

Specifications and Bid Form

The successful bidder will offer for purchase to the Connellsville Area School District one (1) a Vulcan K20GL Natural Gas 20-Gallon Stationary Kettle satisfying and meeting the following minimum Specifications, deliverable to the District Career and Technical Center within one (1) month of the School District's acceptance of the bid and submission of an order:

1. New/unused Vulcan K20GL Natural Gas 20-Gallon $\frac{2}{3}$ Jacketed 100,000 BTU Stationary Kettle;
2. Five (5) year commercial single appliances warranty of at least one (1) year;
3. Power liftgate service.

Bidder shall provide a copy of all other specifications and features for any a Vulcan K20GL Natural Gas 20-Gallon Stationary Kettle offered and an affirmation and certification that any a Vulcan K20GL Natural Gas 20-Gallon Stationary Kettle offered in its bid meets or exceeds the above Specifications. The School District anticipates using the kettle for student educational and vocational purposes.

The kettle and its systems and components must meet and/or exceed manufacturer's recommendations, specifications, and applicable codes and requirements. The kettle and its systems and components shall be under full warranty for a period of not less than one (1) year or, if applicable, any longer manufacturer warranty period. All information regarding any warranty shall be required, in writing, to be submitted as part of the bid submission.

Bidder shall be responsible for all taxes, duties, and other charges associated with the purchase of the kettle and its systems and components or amounts paid under this bid or the corresponding contract award. The Connellsville Area School District notes that it is a tax-exempt governmental entity and, specifically, is exempt from the payment of sales and use tax.

By submission of a bid, Bidder certifies that it is currently (or will become prior to commencing any sale) registered and licensed to operate a business and sell the kettle described in its bid within the Commonwealth of Pennsylvania and the Connellsville Area School District.

Bidder hereby offers to sell to the Connellsville Area School District the a Vulcan K20GL Natural Gas 20-Gallon Stationary Kettle described in this Specifications and Bid Form based on the following costs:

\$ _____ Total (“Out the Door”) Cost

Signed by the Bidder’s Authorized
Representative:

Date: _____

Bidder: _____

BY: _____

Name: _____

Title: _____

NON-COLLUSION AFFIDAVIT

INSTRUCTIONS

- 1.** This Non-Collusion Affidavit is material to any contract awarded pursuant to this bid. According to the Pennsylvania Antibid-Rigging Act, 62 Pa.C.S.A. § 4501, et seq., governmental agencies may require Non-Collusion Affidavits to be submitted together with any bid.
- 2.** This Non-Collusion Affidavit must be executed by the member, officer, or employee of the Bidder who makes the final decision on prices and the amount quoted in the proposal.
- 3.** Bid-rigging and other efforts to restrain competition, and making of false sworn statements in connection with the submission of proposals are unlawful and may be subject to criminal prosecution. The person who signs the Affidavit should examine it carefully before signing and assure himself or herself that each statement is true and accurate, making diligent inquiry, as necessary, of all other persons employed by or associated with the Bidder with responsibilities for the preparation, approval, or submission of the proposal.
- 4.** In the case of a proposal submitted by a joint venture, each party to the venture must be identified in the proposal documents, and an Affidavit must be submitted separately on behalf of each party.
- 5.** Failure to file an Affidavit in compliance with these instructions will result in disqualification of the proposal.

agency and have not in the last four (4) years been convicted or found liable for any act prohibited by state or federal law in any jurisdiction, involving conspiracy or collusion with respect to bidding on any public contract, except as follows:

I state that the company and the owners, principals, and representatives of the company understand and acknowledge that the above representations are material and important and will be relied on by Connellsville Area School District in awarding the contract for which this proposal is submitted. I understand and my company understands that any misstatement in this Affidavit is and shall be treated as fraudulent concealment from the Connellsville Area School District of the true facts relating to the submission of bids for this contract.

Signatory's Name & Title (type or print)

By: _____
Signature

S T E A M

VULCAN**KGL SERIES
GAS FLOOR MOUNTED
STATIONARY 2/3 JACKETED KETTLE**

Model K40GL

**SPECIFICATIONS**

Gas self-contained, stainless steel fully insulated, 2/3 jacketed floor mounted steam kettle Ellipsoidal bottom kettle liner formed and fully welded type 316 and type 304 stainless steel exterior with (1/4 x 5/8 inch 20 gallons) (3/8 x 1 inch 40 gallons and greater) heavy bar rim, embossed gallon/liter markings. 50 psi (3.4 kg/cm²) steam jacket rating. Spring assist hinged stainless steel cover with condensate ring and drop down lift handle. Stainless steel splash proof enclosure for controls and faucet bracket. Controls include a power switch, power "on" light, solid state temperature control with graduated warm, simmer and boil setting, vacuum/pressure gauge, pressure relief valve, low water light and low water shut-off. Gas control with combination gas valve, flame failure and gas type is field convertible. High efficiency Power Burner Heating System (64% to 68% efficiency). Tubular stainless steel legs with removable section and flanged feet. Steam jacket permanently filled with treated, distilled water. 110-120V, 50-60 Hz, 5A, with 6 foot cord and three-prong grounding plug.

UL Certified to ANSI Z83.11/CSA 1.8. Certified to NSF Standard #4. Meets ASME.

SPAN GAS TECHNOLOGY ENABLES FIELD ADJUSTABLE TO PROPANE GAS.

- K20GL** 100,000 BTU/hr., 20 gallon true working capacity
- K40GL** 100,000 BTU/hr., 40 gallon true working capacity
- K60GL** 100,000 BTU/hr., 60 gallon true working capacity

STANDARD FEATURES

- Gas self-contained, stainless steel, 2/3 jacketed floor mounted stationary steam kettle.
- Ellipsoidal bottom kettle liner formed and fully welded standard type 316 and type 304 stainless steel exterior.
- Heavy bar rim (1/4 x 5/8 inch 20 gallons) (3/8 x 1 inch 40 gallons and greater).
- Embossed gallon/liter markings.
- Faucet bracket.
- 50 psi (3.4 kg/cm²) steam jacket rating.
- Spring assist hinged stainless steel cover with condensate ring and drop down lift handle.
- Two inch compression tangent draw-off valve with perforated strainer.
- Tubular stainless steel legs with flanged feet.
- Stainless steel enclosure for "water resistant" controls.
- Controls include a power switch, power "on" light, solid state temperature control, vacuum/pressure gauge, pressure relief valve, low water light and low water shut-off.
- Elevation from sea level to 8,999 feet standard, for higher elevation consult factory.
- One year limited parts and labor warranty.

OPTIONS

- Two inch bolt on plug draw-off valve with perforated strainer.
- Three inch bolt on compression tangent draw-off valve with perforated strainer increases height of kettle.
- Correction facility package:
 - a. Security type fasteners with tack welds.
 - b. Stainless steel cover over draw-off valve with chain.
- Stainless steel protector for the draw-off valve with chain.
- Reinforced pivot assembly for spring assist cover.
- Heavy duty 14 gauge welded cover twin bar welded handles, NOT spring assist.
- Second year extended limited parts and labor warranty.

ACCESSORIES (Packaged & Sold Separately)

- Clean-up kit, includes draw-off brush, clean-up brush and paddle scraper with 40" handle.
- Stainless steel 48" whip.
- Non-perforated strainer for draw-off valve.
- (12") (18" double jointed) single pantry lead-free faucet.
- (12") (18" double jointed) double pantry lead-free faucet.
- Double pantry washdown hose with 16" add-on lead-free faucet with vacuum breaker.
- Double pantry washdown hose lead-free with vacuum breaker.
- Double pantry pot filler lead-free with vacuum breaker.

VULCAN

a division of ITW Food Equipment Group LLC

P.O. Box 696 ■ Louisville, KY 40201 ■ Toll-free: 1-800-814-2028 ■ Local: 502-778-2791 ■ Quote & Order Fax: 1-800-444-0602



KGL SERIES GAS FLOOR MOUNTED STATIONARY 2/3 JACKETED KETTLE

SERVICE CONNECTIONS

- Electrical Connection:** 110-120V, 50-60 Hz, 5A, with 6 foot cord and three-prong grounding plug.
- Gas Connection:** 3/4" NPT supply line required.
- Water Connection:** For faucet option only.

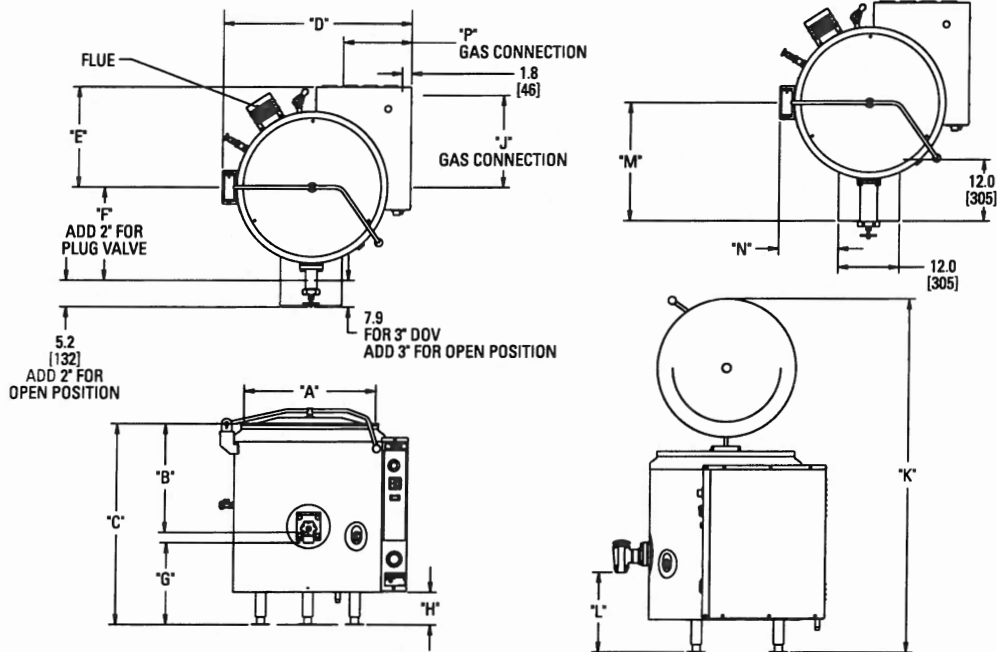
TRUE WORKING CAPACITIES (in 4 oz. servings)

- 80 quarts/20 gallons/76 liters/640 servings
- 120 quarts/40 gallons/152 liters/1,280 servings
- 160 quarts/60 gallons/228 liters/1,920 servings

NOTE:

- Dimensions which locate the above connections have a tolerance of + or -3" (+ or -75mm). Normal dimensions are in inches. Dimensions in () are in millimeters.
- Installation of backflow preventers, vacuum breakers and other specific code requirements is the responsibility of the owner and installer. It is the responsibility of the owner and installer to comply with local codes.
- Do not use plastic drains.
- Do not connect this unit to a ground-fault circuit-interrupter (GFCI) 125-volt, single-phase, 15- and 20-ampere receptacle. Electronic burner ignition systems are prone to nuisance tripping and possible ignition failure.
- This appliance is manufactured for commercial installation only and is not intended for home use.

EMBOSSED GALLON/LITER MARKINGS		
20-GALLON	40-GALLON	60-GALLON
20 - 76	40 - 151	60 - 227
18 - 68	35 - 132	55 - 209
16 - 61	30 - 114	50 - 189
14 - 53	25 - 95	45 - 171
12 - 46	20 - 76	40 - 151
10 - 38	15 - 57	35 - 132
		25 - 95
		20 - 76



MODEL	TRUE WORKING CAPACITY	A	B	C	D	E	F	G	H	J	K	L	M	N	P
K20GL	20 gallons	21.6	15.2	36.8	32.7	18.6	15.6	19.5	6.4	17	32.6	19.2	20.9	9.5	14.6
	76 liters	549	386	935	831	472	396	495	163	432	828	488	531	241	371
K40GL	40 gallons	26	21.2	39.2	36.7	19.8	17.75	16	6.4	18	69	15.6	23	11.6	14.1
	152 liters	660	538	996	932	503	451	406	163	457	1753	396	584	295	358
K60GL	60 gallons	29.5	24.2	39.5	40.9	21.7	19.75	16.6	6	19.9	76.6	16.2	26.5	13.8	13.7
	227 liters	749	615	1003	1039	551	502	422	152	505	1946	411	673	351	348



a division of ITW Food Equipment Group LLC

P.O. Box 696 ■ Louisville, KY 40201 ■ Toll-free: 1-800-814-2028 ■ Local: 502-778-2791 ■ Quote & Order Fax: 1-800-444-0602

NOTE: In line with its policy to continually improve its products, Vulcan reserves the right to change materials and specifications without notice.