



ADVANTAGE™ HAND & HAIR DRYER SERIES SPECIFICATIONS



White ABS



Steel White Epoxy



Steel Black Graphite



Steel Satin Chrome



Stainless Steel

**DRIES IN 25 SECONDS • QUIET OPERATION
UNIVERSAL VOLTAGE • 5-YEAR WARRANTY**

THE **ADVANTAGE** SERIES IS THE PERFECT REPLACEMENT
FOR THE TRADITIONAL HAND & HAIR DRYER
WITH MORE POWER & FEATURES IN A COMPACT DESIGN.

Universal Voltage: The **ADVANTAGE AD** series can be connected to any voltage from 100-240 volts, 50/60Hz. The dryer configures itself to your voltage, making installation easier.

Heavy-Duty, One-Piece Cover Options:

- Flame-retardant white ABS
- Steel with white epoxy finish (M)
- Steel with black graphite epoxy finish (BG)
- Steel with satin chrome finish (C)
- Stainless steel with #4 brush finish (SS)

Vandal Resistant: Tamper-resistant screws secure cover to base. Air intake vents are shielded for additional safety.

Motor: Heavy-duty universal motor. 1/8 HP, 4,800 RPM. Automatic thermal protector.

Smart Sensor: Ultra energy-efficient, microprocessor-controlled sensor turns dryer on when hands are under the outlet for up to 35 seconds. Standby power is only one watt. Features RoHS compliant lead-free design.

Hair Drying Option (H): When the automatic sensor is activated, the dryer will stay on for an 80-second cycle to dry hair. The fixed nozzle is angled away from the wall for comfortable hair drying.

Heating Element: Constructed of NiChrome resistance wire with thermal protector. Heating element operates in the black range for maximum life.

5-year Limited Warranty: Includes same-day factory repair or part replacement. See owner's manual for details.

ADVANTAGE SPECIFICATIONS

Dry Time	25 Seconds
Air Flow	180 CFM (Cubic Feet per Min.)
Air Velocity	7,300 LFM (Linear Feet per Min.)
Sound Level	67 dB (Quietest in its class)
Air Temperature	120° F at 72° F Room Temperature
Universal Voltage	100-240V, 50/60Hz
Power	120 V @ 12.5 A max. 1400W 240 V @ 6.5 A max. 1250W
Dimensions Surface	10-1/8" W x 9-3/8" H x 5-5/8" D

ADVANTAGE MODEL REFERENCE CHART

White ABS	AD90
Steel White Epoxy	AD90-M
Steel Black Graphite	AD90-BG
Steel Satin Chrome	AD90-C
Stainless Steel	AD90-SS

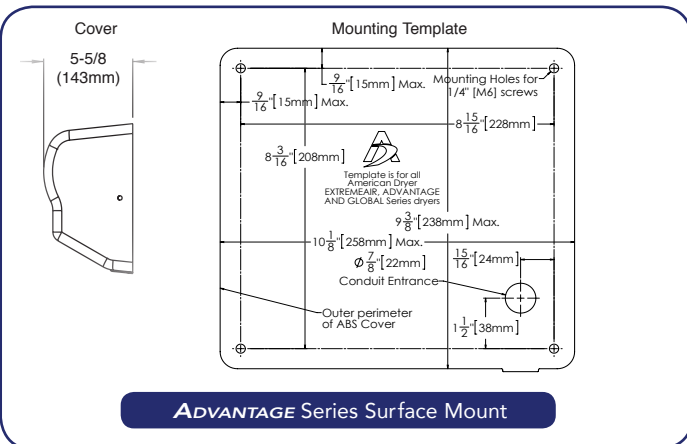
Hair drying with 80-second cycle add (H) after model number.

ACCESSORIES



ADA-WG WALL GUARD	ADA-RK RECESS KIT	AP ADAPTER PLATE
Accessories Reference Chart		
ADA-WG*	ADA Compliant seamless stainless steel wall guard	
ADA-RK*	ADA Compliant seamless stainless steel recess kit	
AP	Stainless steel universal adapter plate	
* Not for use with HAIR dryers For more information, visit americandryer.com		

ADVANTAGE™ SERIES MOUNTING DIAGRAM



RECOMMENDED MOUNTING HEIGHTS FROM BOTTOM OF DRYER TO FINISHED FLOOR				
	Men	Women	Children	Disabled
All Hand Dryers	44"	42"	32" - 42"	36"
Advantage Hair Dryer	74"	68"	48" - 68"	48"



American Dryer, Inc.
33067 Industrial Road | Livonia, MI 48150 | U.S.A.
Toll Free 800.485.7003 U.S. | Ph: 734.421.2400 | Fax 734.421.5580

Web: americandryer.com
Email: sales@americandryer.com
© American Dryer, Inc. All Rights Reserved
Revised June 2015

SAVE 95% VERSUS PAPER TOWELS

ADVANTAGE Series Hand dryers achieve up to a 95% cost savings over paper towels. These savings are realized by eliminating the maintenance and operating expenses associated with paper or linen towels.

"Our school saved over \$28,000 last year with American Dryer!"

Cost Analysis for a Public School

Paper Towel Usage	400 Cases
Total Paper Costs	\$30,200
Hand Dryer Operating Costs	\$666
ANNUAL SAVINGS	\$28,334
Payback Time	7 Months

Cost Analysis for a Restaurant

Paper Towel Usage	40 Cases
Total Paper Costs	\$3,000
Hand Dryer Operating Costs	\$66
ANNUAL SAVINGS	\$2,934
Payback Time	8 Months

GENERAL INFORMATION

DRYER PLACEMENT:

Dryers should be placed at least 2 feet apart and at least 12" from washbasin. Do not install dryer over washbasin. Automatic dryers should be at least 18" above any projection which may interfere with the operation of the automatic sensor. In congested areas the dryers should be located to create a flow from the washbasin to the dryer and to the exit. Recommended mounting heights are shown in the table below.

DRYER INSTALLATION:

Dryers must be installed by a licensed electrician. A single phase dedicated 15 amp or 20 amp electrical line is required. Dryers must be properly grounded. One side of dryer should be mounted to a stud. All surface mount dryers are provided with conduit entrances for both in-wall and surface wiring. For indoor use only.

QUANTITY ESTIMATE, HAND DRYER:

Average traffic washroom.....1 dryer per 2 washbasins
Heavy traffic washroom.....1 dryer per washbasin
54" wash fountain.....4 dryers per sink

SHIPPING WEIGHT: ABS 8 lbs, M/BG/C/SS 10 lbs





DANGER: Disconnect Power Before Servicing

Failure to disconnect the power source before installation or servicing can result in serious injury or death from electrical shock.



WARNING: Risk of fire, personal injury or property damage may result from improper installation or service.

INSTALLATION INSTRUCTIONS

1. Remove cover by removing (2) tamper-proof-screws using security wrench supplied. Pull cover directly toward you. **IMPORTANT: Save security wrench.**
2. Dryers should be placed at least 2 feet (61cm) apart and at least 12" (30cm) from wash-basin. Do not install dryer over washbasin. Automatic dryers should be at least 18" (46cm) above any projection which may interfere with the operation of the automatic sensor.

Hold the backplate to the wall at the suggested mounting height. Measure from bottom edge of **backplate** to the **floor** (Ref. Dimension "A", Fig. 1):

	MEN	WOMEN	(depends on age)	DISABLED
Hand -	44" (112cm)	42" (107cm)	32 to 42" (81-107cm)	36" (91cm)
Hair -	74" (187cm)	68" (172cm)	48" to 68" (121-172cm)	48" (121cm)

3. Mark the locations of the four mounting holes and the conduit entrance location on the wall. (The conduit entrance is the proper hole diameter for 1/2 inch (13mm) conduit.)
4. Fasten the backplate to the wall where previously marked.

RECOMMENDATION:

Wood wall – No. 14 (M6) wood screws, 2 3/4" (70mm) long

Cement or brick – 1/4" (M6) stud expansion bolts, 3" (76mm) long

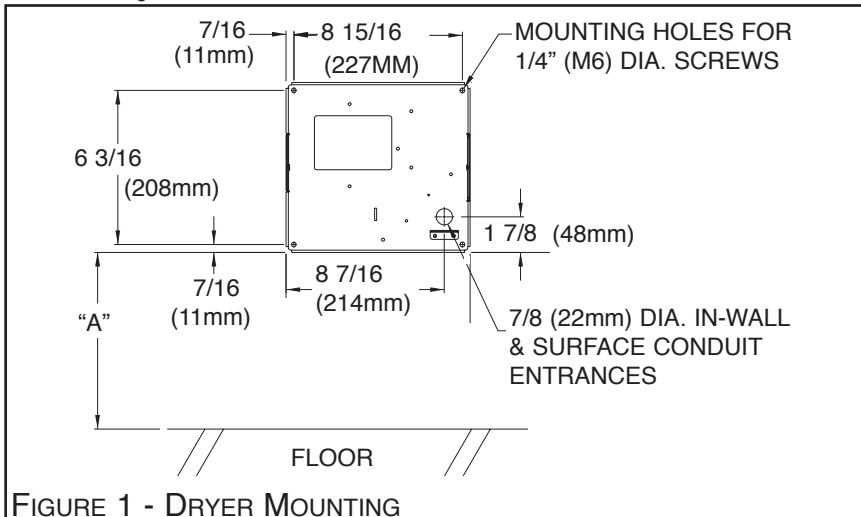
Hollow wall – 1/4" (M6) toggle bolts, length depends on wall thickness

5. Run service wire to the dryer location and connect to lead wires. **IMPORTANT:** All units must be supplied with 3 wire service. Use No. 12 or 14 wire as required by local electrical code. The ground wire must be connected to the dryer ground screw. Unit must be installed by a qualified, licensed electrician.

CONNECT TO A DEDICATED CIRCUIT NOT TO EXCEED 20 AMPS.

Dryers located in shower rooms or other wet locations should be equipped with ground fault interrupter(s).

6. **Carefully** replace the cover using (2) tamper-proof screws supplied. Apply a bead of caulk around edges of cover to wall.



OWNER'S MANUAL **ADVANTAGE™** SERIES HAND DRYERS
FOR INSTALLATION OR SERVICE
ASSISTANCE PLEASE CALL
(734) 421-2400 OR
Email: sales@americandryer.com

IMPORTANT: HAVE MODEL & SERIAL No. READY
MODEL # _____ SERIAL # _____

ADVANTAGE DRYER LIMITED WARRANTY

All parts are warranted to the original consumer purchaser to be free from defects in material and workmanship for a period of five (5) years from the date of purchase from manufacturer. All models outside of the U.S.A., one (1) year. We will replace **FREE OF CHARGE**, during the warranty period, any warranted part which proves defective in material and/or workmanship under normal installation, use, and service, excluding normal wear. Replacement parts can be obtained by returning the part, **TRANSPORTATION CHARGES PREPAID**. You must notify factory prior to returning part or dryer. Any damage to this dryer as a result of misuse, abuse, neglect, accident, improper installation, unauthorized repairs, or any other use violative of instructions furnished by us, **WILL VOID THIS WARRANTY**. THIS LIMITED WARRANTY IS THE **SOLE WARRANTY ON OUR PRODUCTS**, AND WE DISCLAIM AND EXCLUDE ANY AND ALL OTHER WARRANTIES, EXPRESS OR IMPLIED, INCLUDING ANY IMPLIED WARRANTIES OF MERCHANTABILITY OR FITNESS FOR A PARTICULAR PURPOSE. OUR LIABILITY SHALL NOT EXCEED IN ANY EVENT THE REPLACEMENT OR SALE PRICE OF THE ALLEGEDLY NONCONFORMING PRODUCT AND SHALL EXCLUDE LABOR CHARGES. TO THE EXTENT PERMITTED BY LAW WE SHALL NOT BE LIABLE FOR ANY LOSS, COST, EXPENSE, OR INCIDENTAL OR CONSEQUENTIAL DAMAGES OF ANY KIND, WHETHER BASED UPON WARRANTY (EXPRESS OR IMPLIED), CONTRACT, NEGLIGENCE OR STRICT LIABILITY AND ARISING IN ANY WAY IN CONNECTION WITH THE DESIGN, MANUFACTURE, SALE, USE OR REPAIR OF THE PRODUCT.

ADVANTAGE SERIES
MFD by AMERICAN DRYER, INC.
33067 INDUSTRIAL ROAD, LIVONIA, MI 48150, U.S.A.
Telephone (734) 421-2400 • Fax (734) 421-5580
www.americandryer.com • Email: sales@americandryer.com
Revised July 2013

! DANGER: Disconnect Power Before Servicing

Failure to disconnect the power source before installation or servicing can result in serious injury or death from electrical shock.

! WARNING: Risk of fire, personal injury or property damage may result from improper installation or service.

GENERAL OPERATION

This dryer is activated by an infrared sensor. The dryer operates as long as hands are below nozzle. There is a maximum 35 second running time with a safety over-ride feature, if hands are not removed. Each component used in your dryer has been designed to provide years of trouble-free service. However, if trouble should develop, it can normally be located by visual examination. Removal or replacement of most parts is simple and can be done without special tools.

SERVICE AND MAINTENANCE OF YOUR DRYER

IF THE DRYER WON'T TURN ON:

Check electrical service, circuit breaker. Make sure proper voltage is being supplied to the dryer. Check for loose or disconnected terminal to sensor. **INCREASE** sensitivity (FIGURE 3) by using a flat-blade screwdriver and **CAREFULLY** turning the adjustment pot located on the sensor **CLOCKWISE 1/3 Turn MAX**. If necessary, replace sensor.

IF DRYER WILL NOT SHUT OFF:

Make certain black foam is attached to lens and lens is clean. If damaged, replace. **DECREASE** sensitivity (FIGURE 3) by using a small flat-blade screwdriver and **CAREFULLY** turning the adjustment pot **COUNTER-CLOCKWISE 1/3 Turn MAX**. If necessary, replace sensor.

IF COLD AIR IS COMING FROM THE NOZZLE:

Turn off breaker for 30 seconds to reset thermostat. If required, remove the cover and vent, check the heating element. If the element is broken or burned out, replace it.

IF NO AIR IS COMING FROM THE NOZZLE AND HEATING ELEMENT GLOWS:

Remove the cover and check to see that the fan revolves freely. Check and replace motor, if required.

FOR ANY OTHER PROBLEM, CONTACT FACTORY FOR ASSISTANCE.

! CLEANING - DO NOT spray cleaning solvents thru dryer vents. **DO NOT** use abrasive, chlorinated, or highly alkaline cleaners. **DO NOT** use oil-based cleaners.

SEMI-ANNUALLY remove the cover and clean all lint and dust from the mechanism, inside of cover, and plastic window.

Clean cover with a mild soap or detergent and warm water, using a soft cloth or sponge.

PARTS LIST FOR YOUR DRYER (Figure 2)

ITEM	PART NO.	DESCRIPTION
1	GX202	COVER, WHITE ABS (MUST SPECIFY DRYER MODEL #)
2	GX202-M	COVER, WHITE STEEL (MUST SPECIFY DRYER MODEL#)
3	GX202-BG	COVER, BLACK GRAPHITE STEEL (SPECIFY DRYER MODEL#)
4	GX202-C	COVER, CHROME PLATED STEEL (SPECIFY DRYER MODEL #)
5	GX202-SS	COVER, STAINLESS STEEL (SPECIFY DRYER MODEL #)
6	GX212	VENT ASS'Y W/ LENS AND FOAM GASKET
7	AD216	MOTOR, 110-120V INCLUDES BLOWER WHEEL
8	GX218	HEATING ELEMENT 110-120V
9	GX228	BLOWER WHEEL
10	SM239	SMART SENSOR COMPLETE, 100-240 VOLT
11	SM239-HAIR	HAIR DRYER SMART SENSOR 100-240 VOLT
12	GB232	TAMPER-PROOF SCREWS & SECURITY WRENCH

