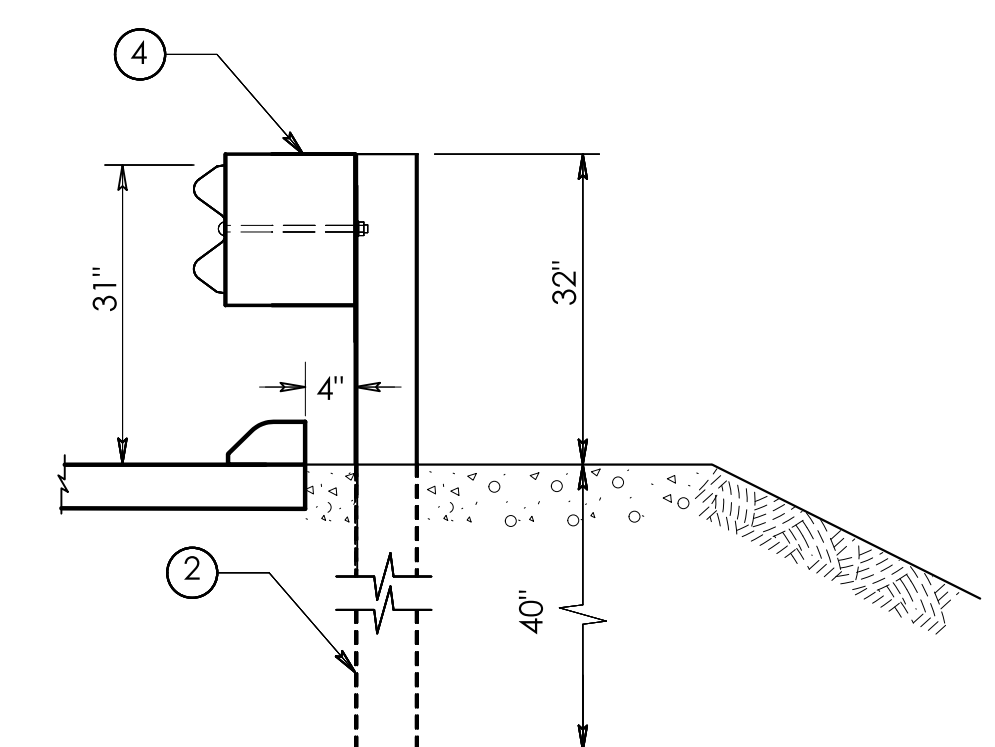
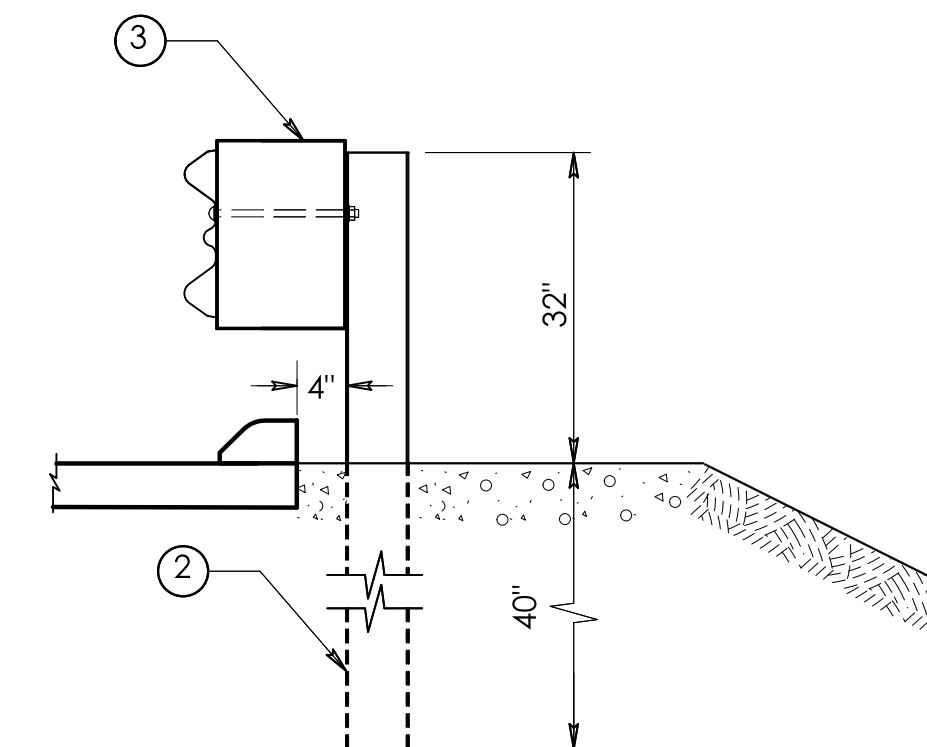
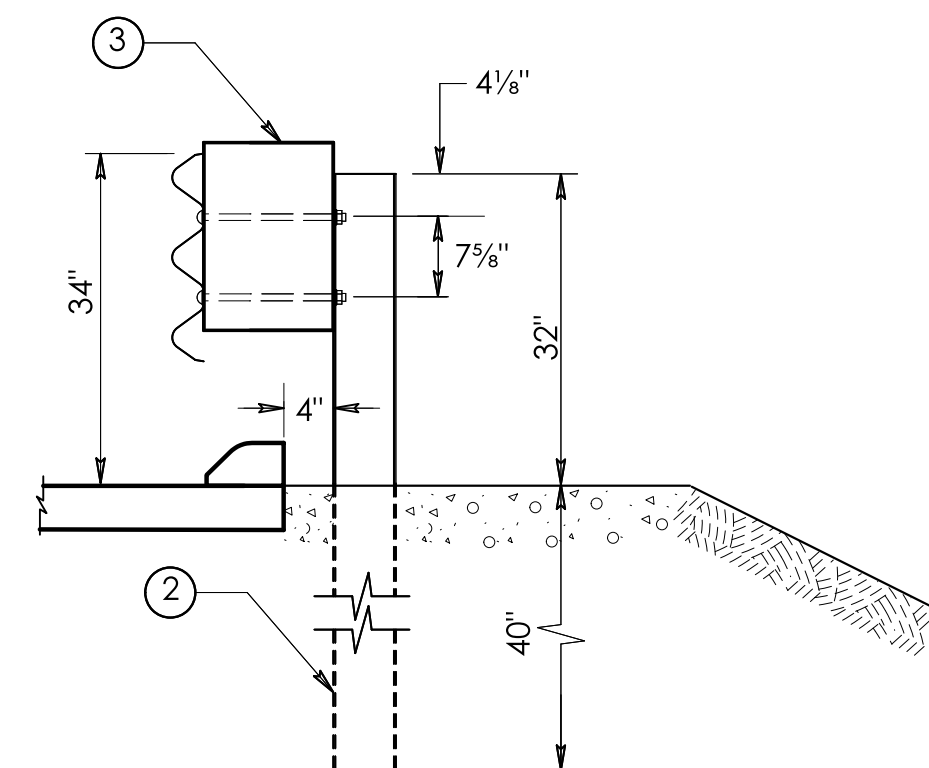
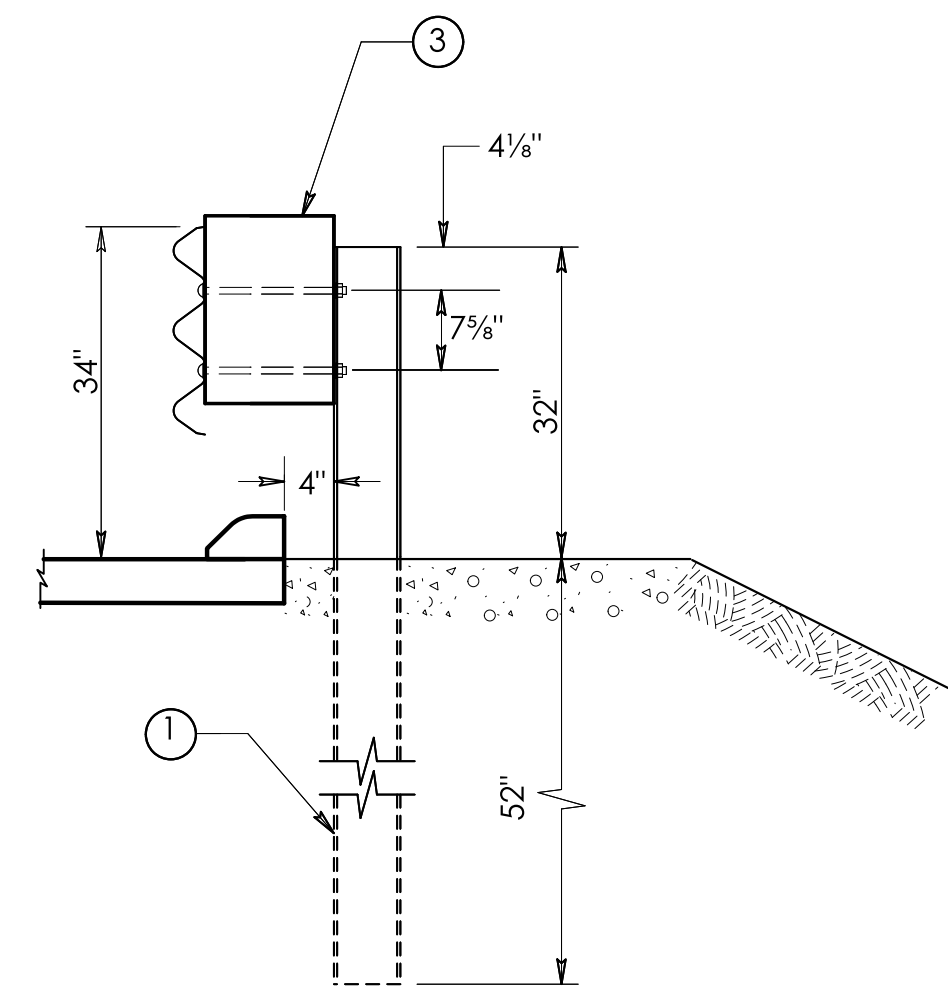
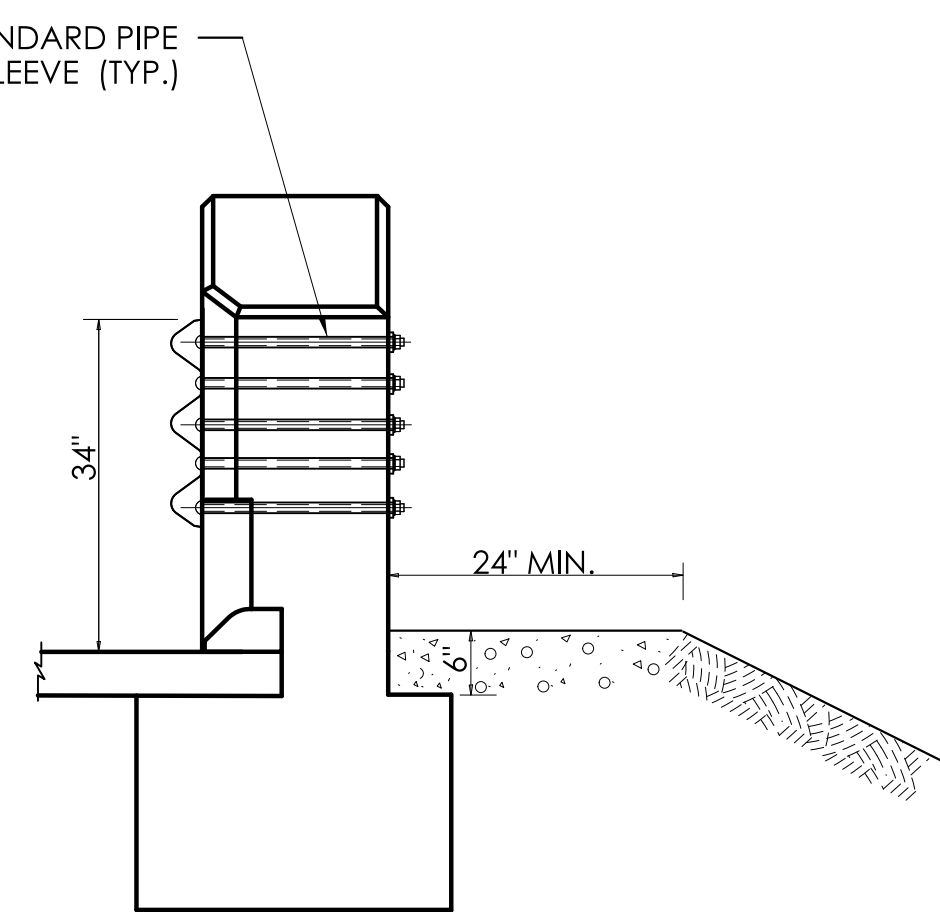
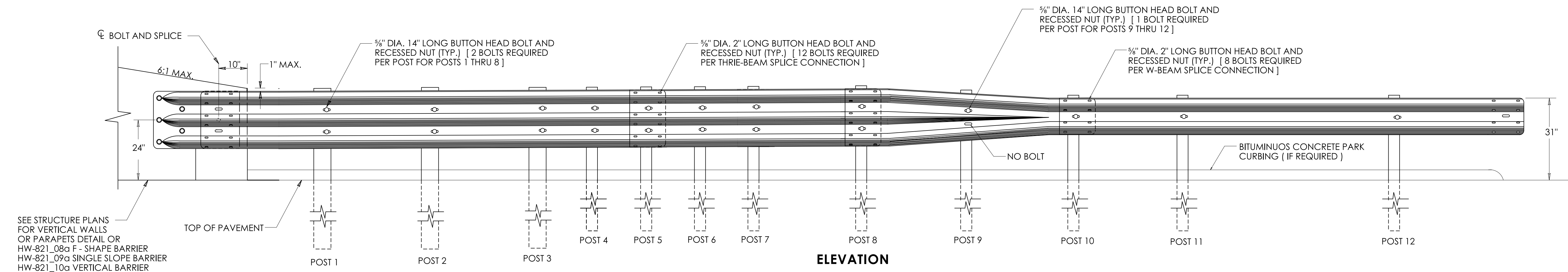
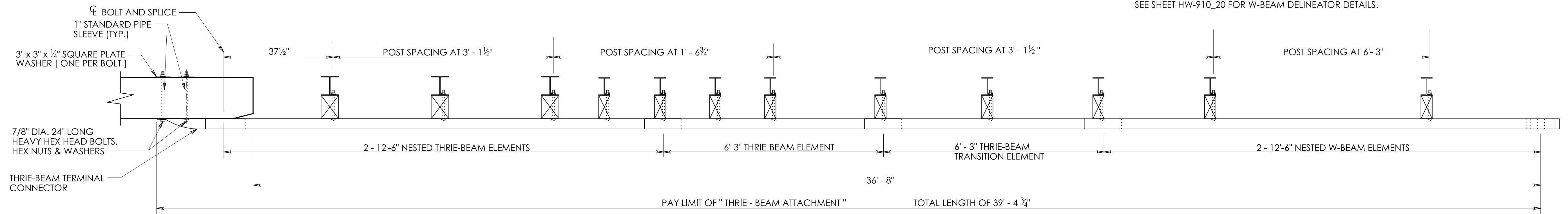


**GENERAL NOTES:**

1. PROVIDE 2 FOOT MINIMUM EMBANKMENT BETWEEN THE BACK OF THE GUIDERAIL POST(S) / CONCRETE BARRIER AND THE BREAK IN THE FILL SLOPE.
2. INSTALL THRIE - BEAM TERMINAL CONNECTOR BETWEEN NESTED GUIDERAIL ELEMENTS, EXCEPT FOR SINGLE DIRECTION ROADWAY APPLICATION ONLY WHERE THE THRIE - BEAM TERMINAL CONNECTOR IS INSTALLED OUTSIDE OF NESTED GUIDERAIL ELEMENTS ON THE TRAILING END.
3. DELINEATORS SHALL BE INSTALLED ON THE POST CLOSEST TO THE DESIGNATED SPACING. SEE SHEET HW-910\_20 FOR W-BEAM DELINEATOR DETAILS.



**LEGEND**

- ① W6 x 15, 7 FOOT LONG STEEL POST
- ② W6 x 8.5 OR W6 x 9, 6 FOOT LONG STEEL POST
- ③ 6" x 12" x 19" TREATED TIMBER BLOCKOUT
- ④ 6" x 12" x 14 1/4" TREATED TIMBER BLOCKOUT