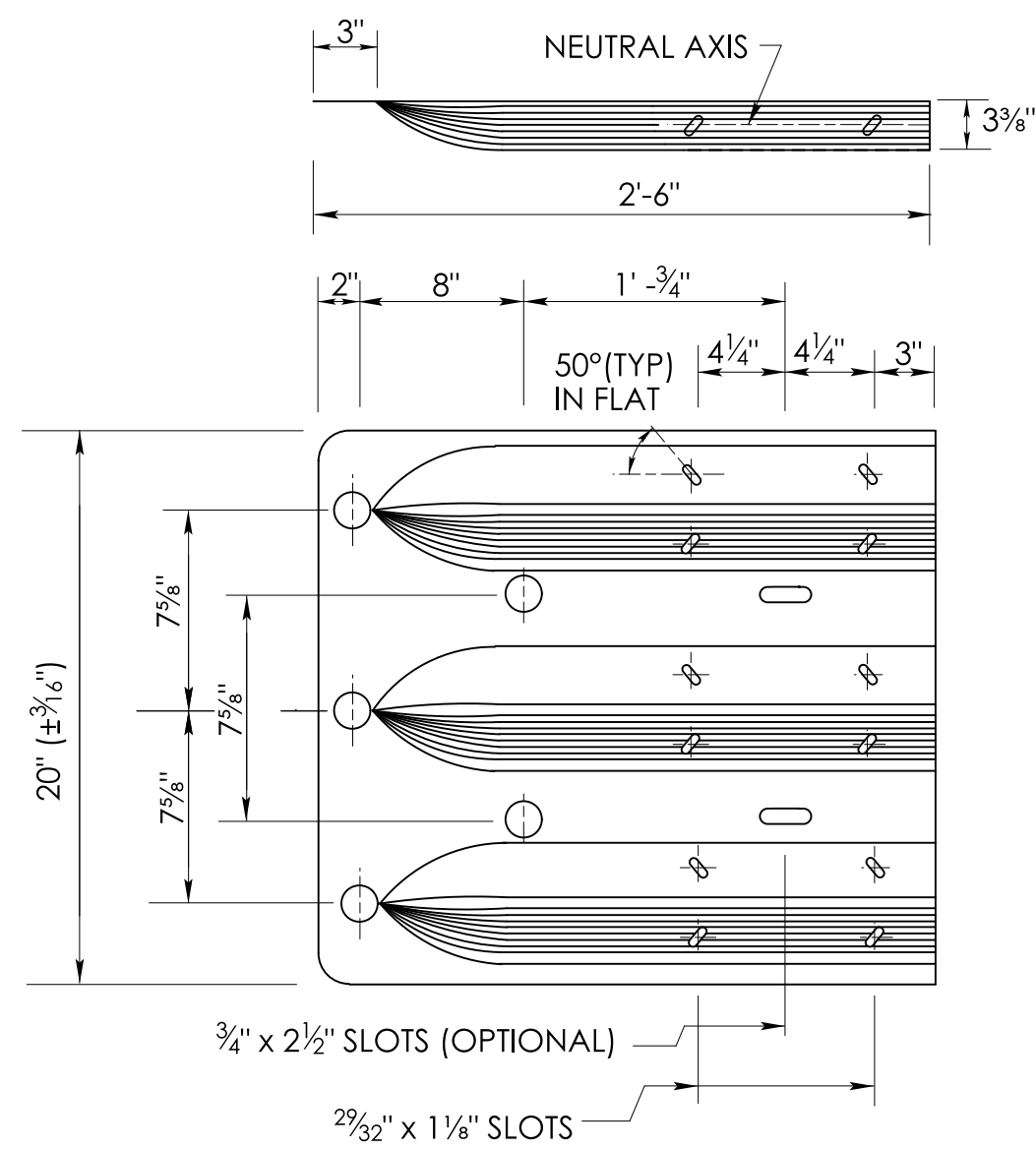
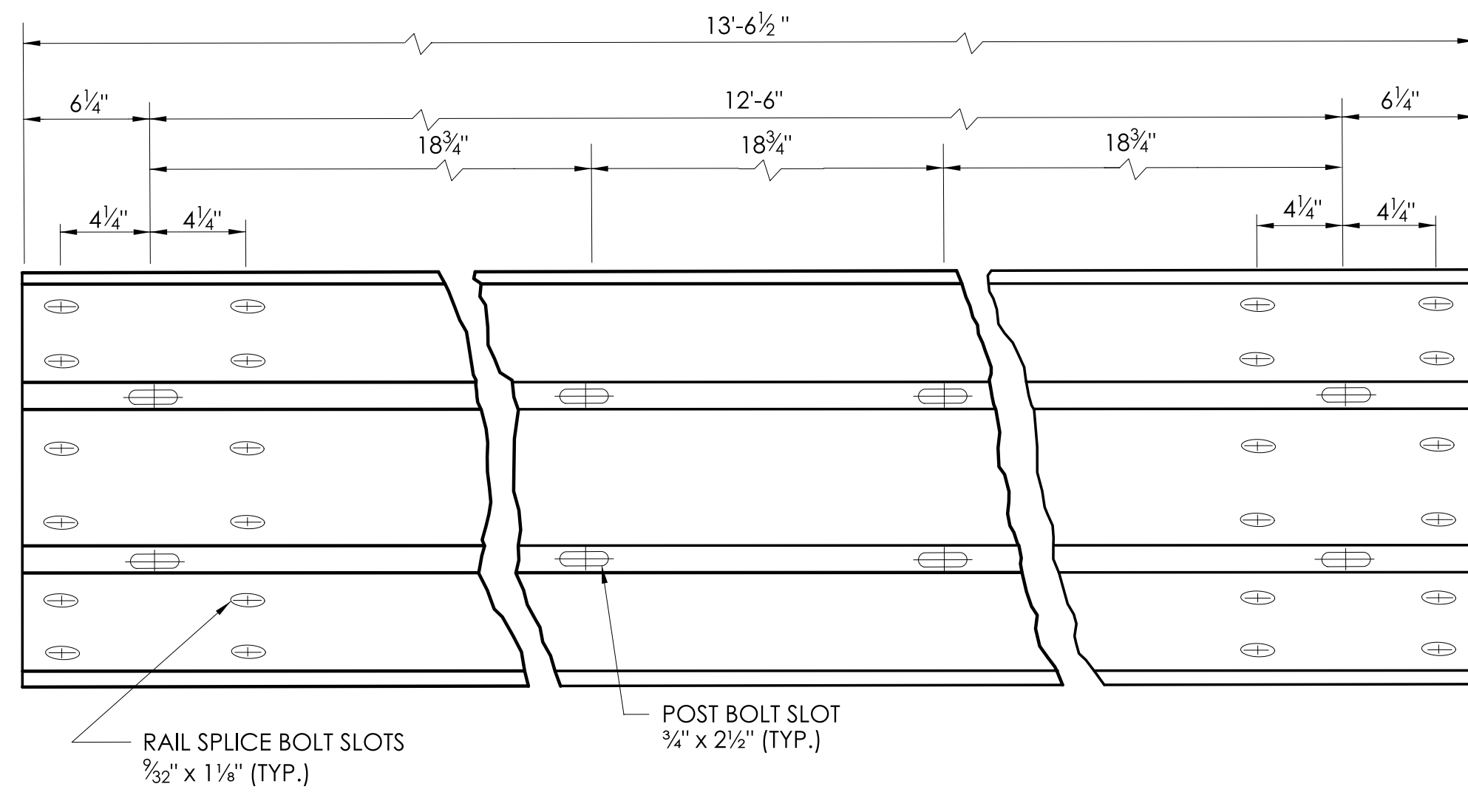


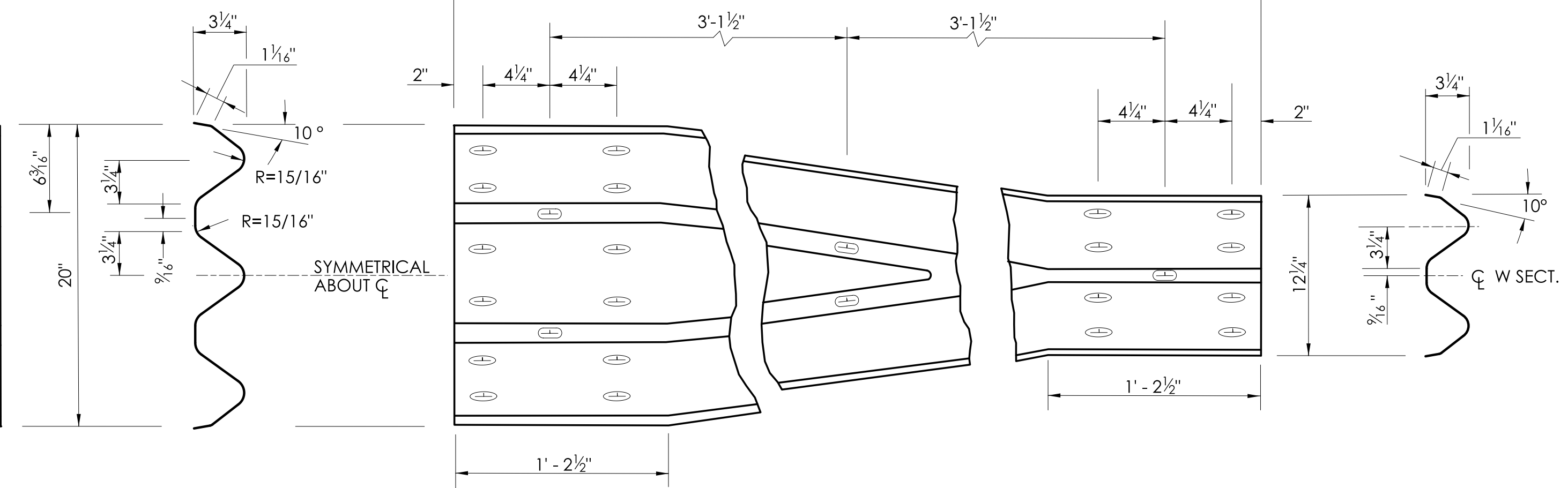
GENERAL NOTE:
1. ALL DIMENSIONS SUBJECT TO MANUFACTURING TOLERANCES



THRIE-BEAM TERMINAL CONNECTOR
[RTE01b]
(10 GAUGE)



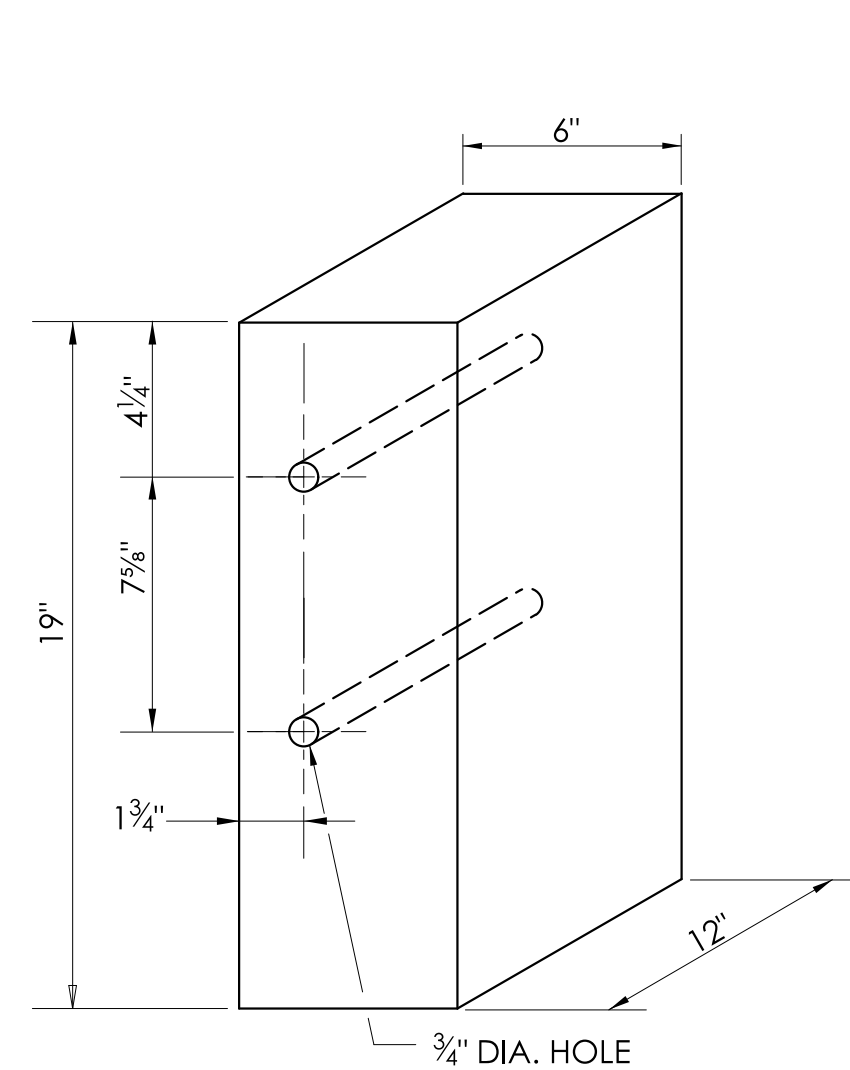
TYPICAL THRIE-BEAM RAIL ELEMENT
[RTM19a FOR 6'-3" AND RTM08a FOR 12'-6" THRIE-BEAM LENGTHS]
(12 GAUGE)



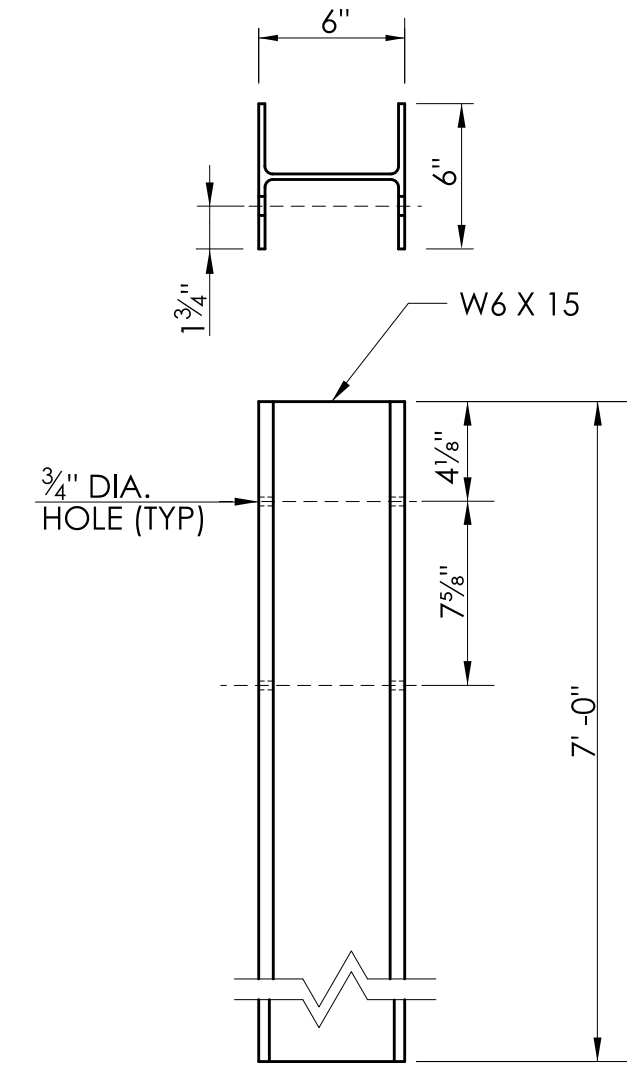
END VIEW OF TRANSITION

TYPICAL THRIE-BEAM TRANSITION ELEMENT
[RWT01b]
(10 GAUGE)

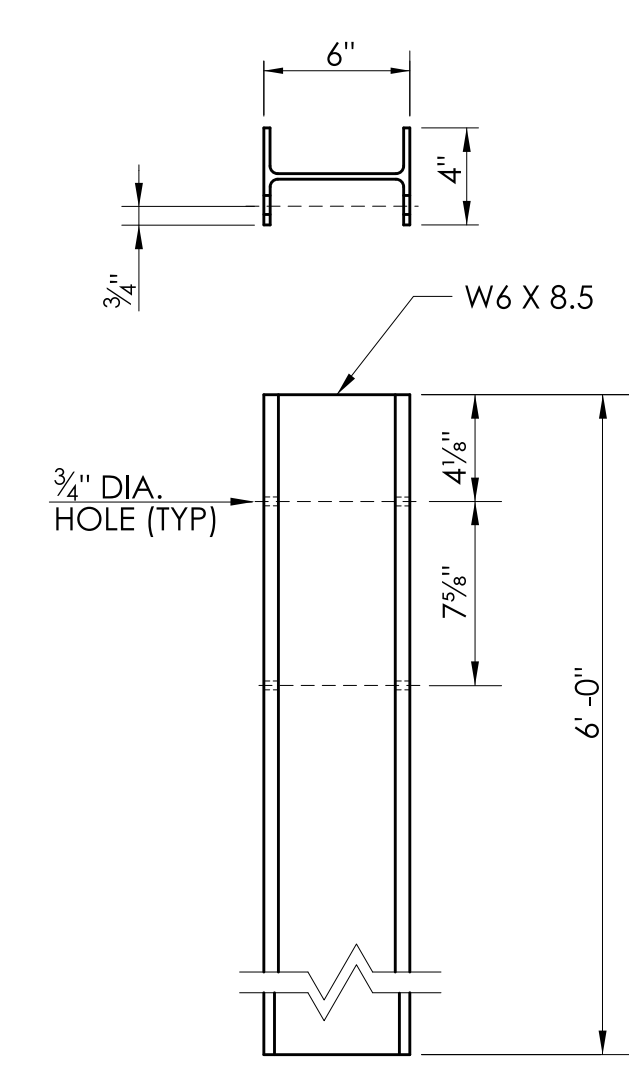
END VIEW OF TRANSITION



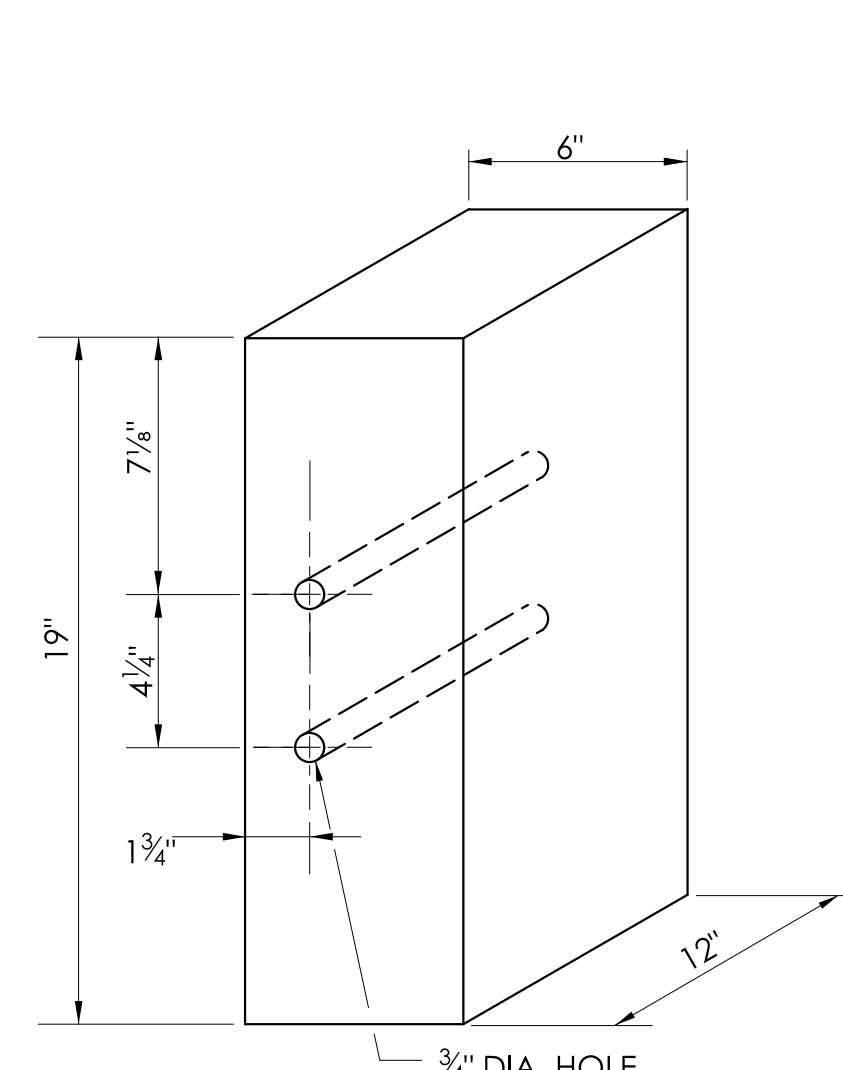
12" WOOD BLOCKOUT
[PDB18]
(FOR POSTS 1 TO 8)



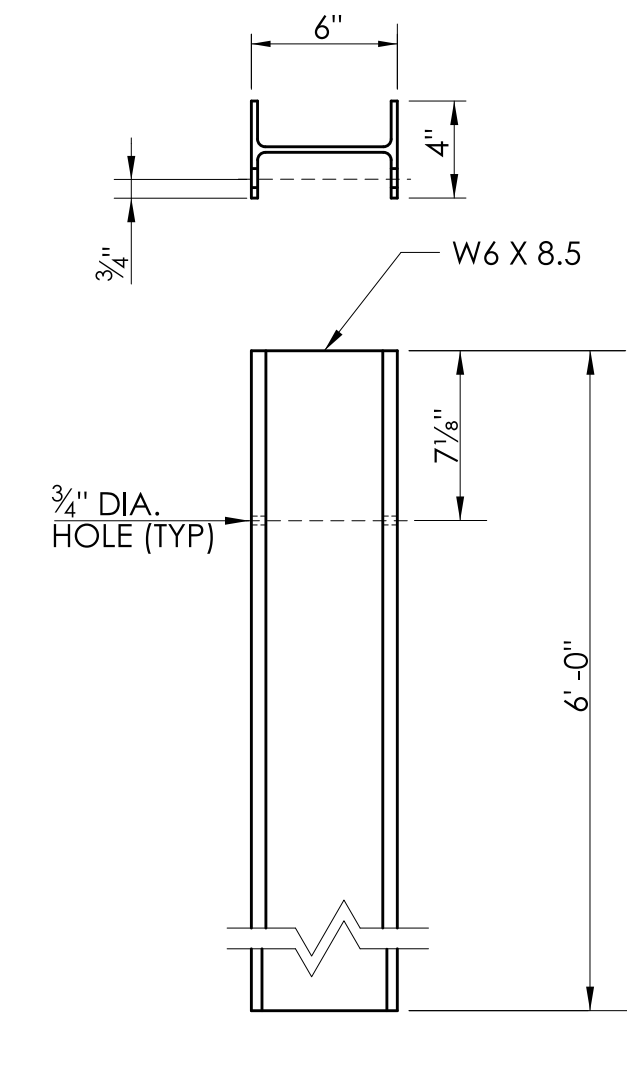
STEEL POST 7' - 0" LONG
[PDB18]
(FOR POSTS 1 TO 3)



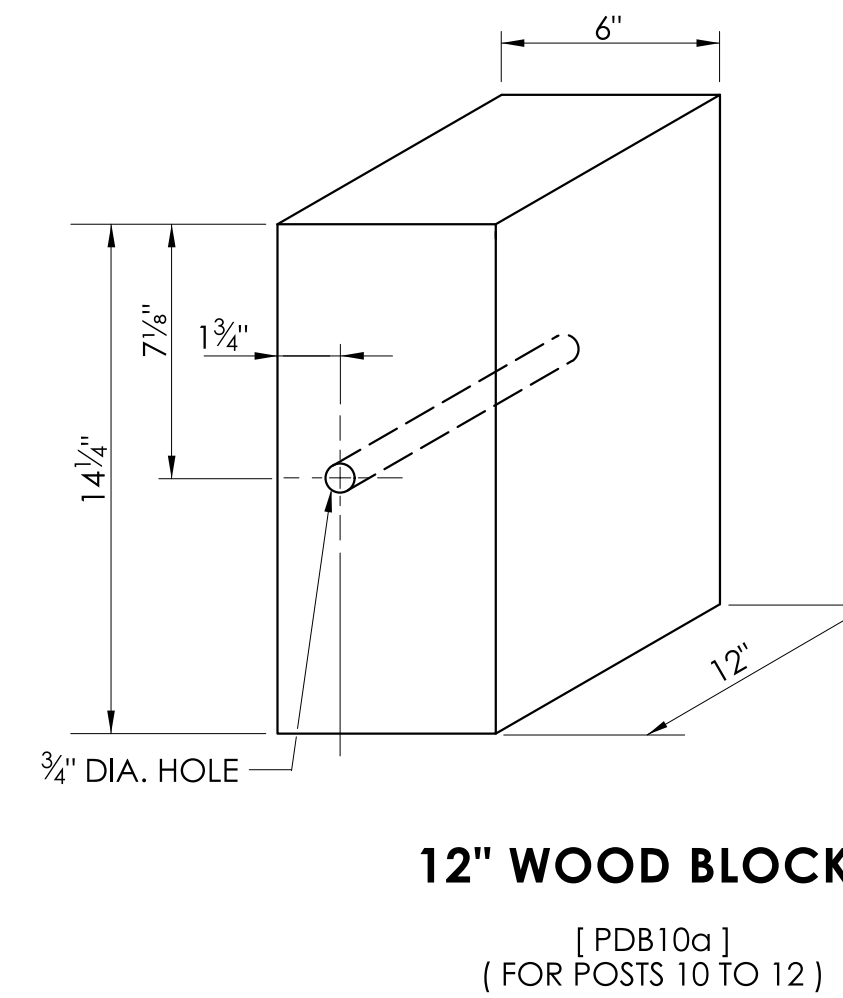
STEEL POST 6' - 0" LONG
[PDB18]
(FOR POSTS 4 TO 8)



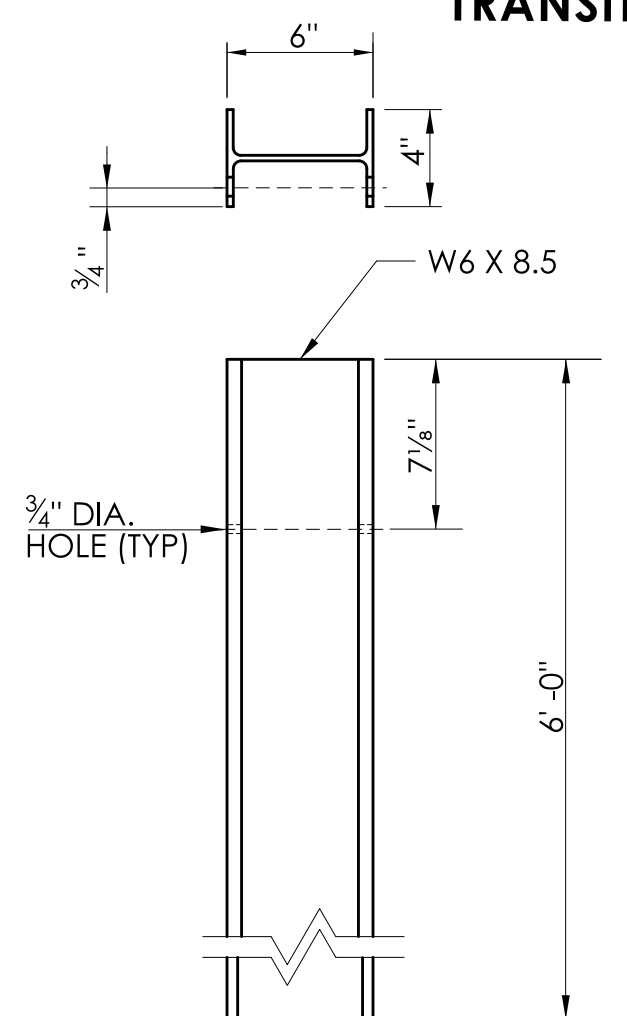
12" WOOD BLOCKOUT
[PDB18]
(FOR POST 9 ONLY)



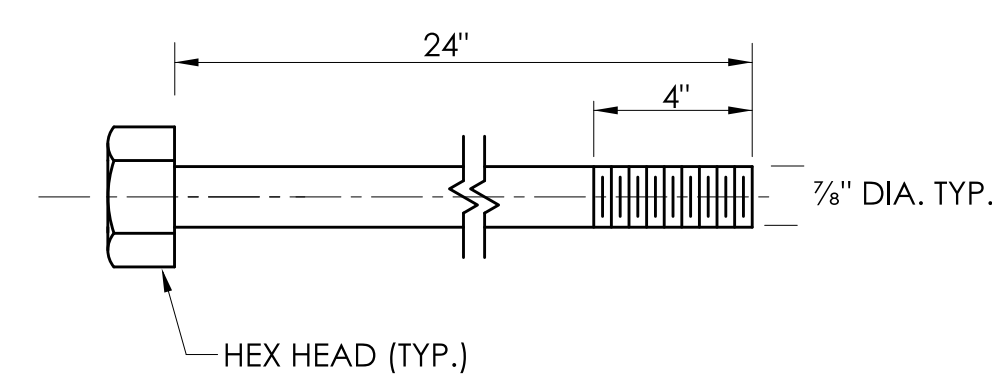
STEEL POST 6' - 0" LONG
[PDB18]
(FOR POST 9 ONLY)



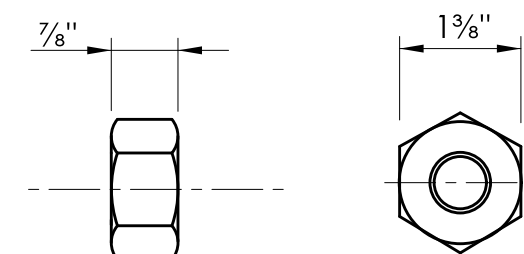
12" WOOD BLOCKOUT
[PDB10a]
(FOR POSTS 10 TO 12)



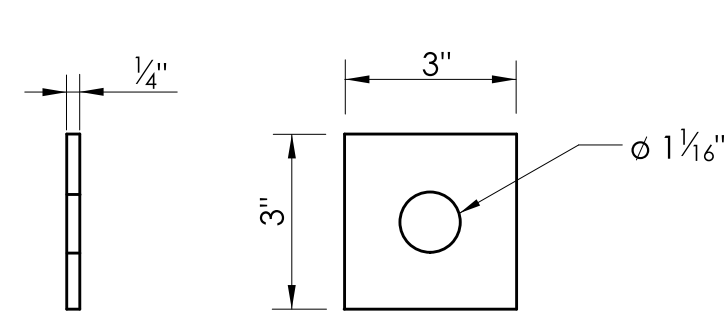
STEEL POST 6' - 0" LONG
[PDB18]
(POSTS 10 TO 12)



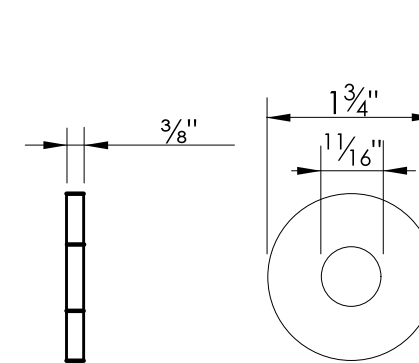
LONG HEAVY HEX HEAD BOLT
[FBX22b]
(FOR THRIE-BEAM TERMINAL CONNECTOR)



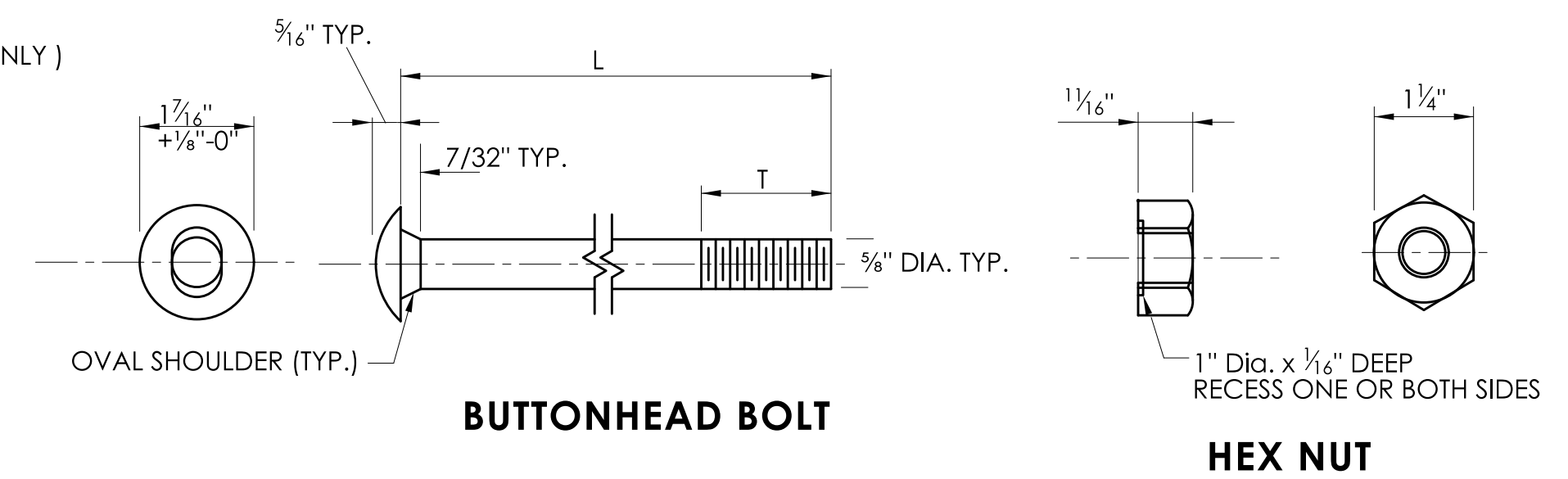
HEX NUT



SQUARE PLATE WASHER
[FWR10]
(FOR THRIE-BEAM TERMINAL CONNECTOR, PLACED BETWEEN HEX NUT AND BACKSIDE OF CONCRETE STRUCTURE)



WASHER
[FWC16a]
(FOR WASHERS PLACED BETWEEN SPLICE NUT AND THRIE-BEAM TERMINAL CONNECTOR)



BUTTONHEAD BOLT

HEX NUT

DESIGNATOR	L	T	INTENDED USE
FBF02	2"	1 3/8"	RAIL SPLICE BOLTS
FBF06	14"	4"	POST BOLT (12" BLOCK OUTS)

5/8" BUTTON HEAD BOLT(S) AND RECESSED NUT(S)

NOTE: AFTER GALVANIZING, THE NUT SHALL BE FREE RUNNING ON THE BOLT. DIAMETER SHOWN IS TYPICAL FOR ALL GUIDERAIL BOLTS. SEE DETAILS ABOVE FOR SPECIFIC LENGTHS.

NOT TO SCALE

SIGNATURE BLOCK:
OFFICE OF ENGINEERING
2800 BERLIN TURNPIKE
NEWINGTON, CT 06111

SUBMITTED BY:

APPROVED BY:



**CTDOT
STANDARD SHEET**

STANDARD SHEET TITLE:
THRIE-BEAM ATTACHMENT HARDWARE

STANDARD SHEET NO.:
HW- 910_26