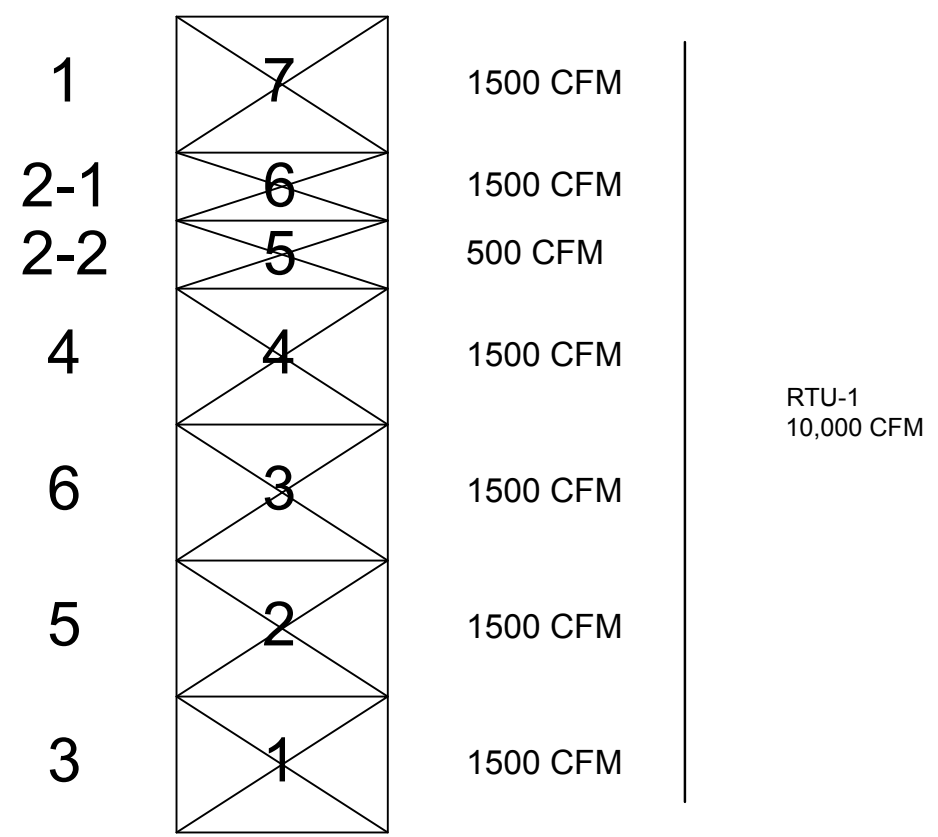


- NOTES:  
WHERE PATTERN DEFLECTOR ADJUSTMENT IS NOT SPECIFIED ON THE DRAWINGS, ADJUST AS FOLLOWS:
- FOR DIFFUSERS CENTERED IN ROOM, ADJUST SO EQUAL NUMBER OF PATTERN DEFLECTORS DIRECT AIR ACROSS CEILING IN OPPOSITE DIRECTIONS.
  - FOR DIFFUSERS LOCATED NEAR AN INTERIOR WALL, ADJUST ALL PATTERN DEFLECTORS TO DIRECT AIR ACROSS CEILING AWAY FROM PARTITION.
  - FOR DIFFUSERS LOCATED NEAR AN OUTSIDE WALL/WINDOW, ADJUST SO EQUAL NUMBER OF PATTERN DEFLECTORS DIRECT AIR TOWARD FLOOR/WALL AND ACROSS CEILING AWAY FROM WALL.

**LINEAR BOOT TYPE DIFFUSER DETAIL**

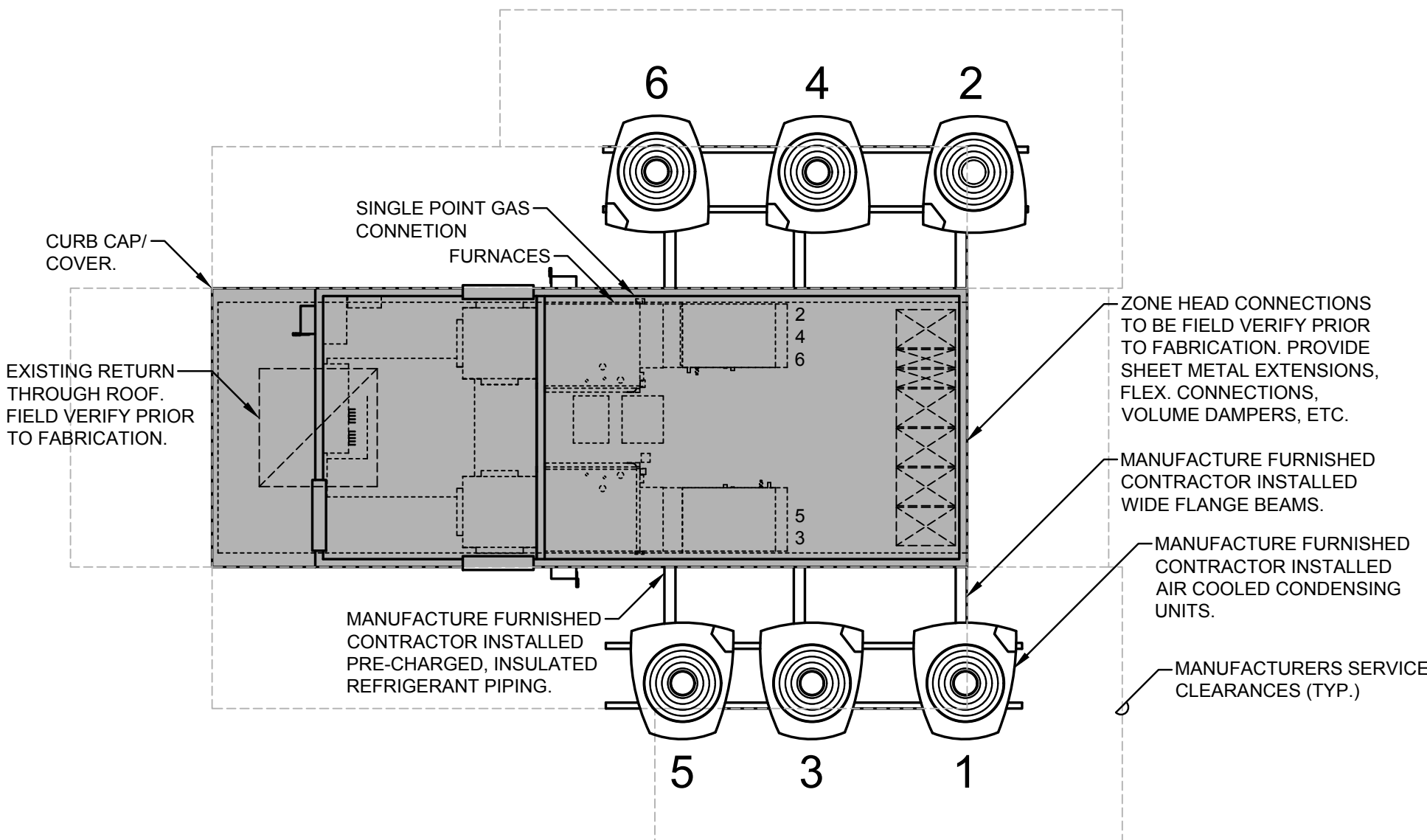
NO SCALE



- NOTES:
- RTU MANUFACTURER TO VERIFY AND COORDINATE ZONE DIMENSIONS WITH EXISTING DUCTWORK BELOW ROOF PRIOR TO FABRICATION.
  - PROVIDE DUCT EXTENSIONS FOR TALLER CURB, FLEX. CONNECTION, AND NEW VOLUME DAMPERS FOR EACH ZONE AS REQUIRED TO BALANCE THE AIR QUANTITIES TO THE SCHEDULED FLOW RATES.

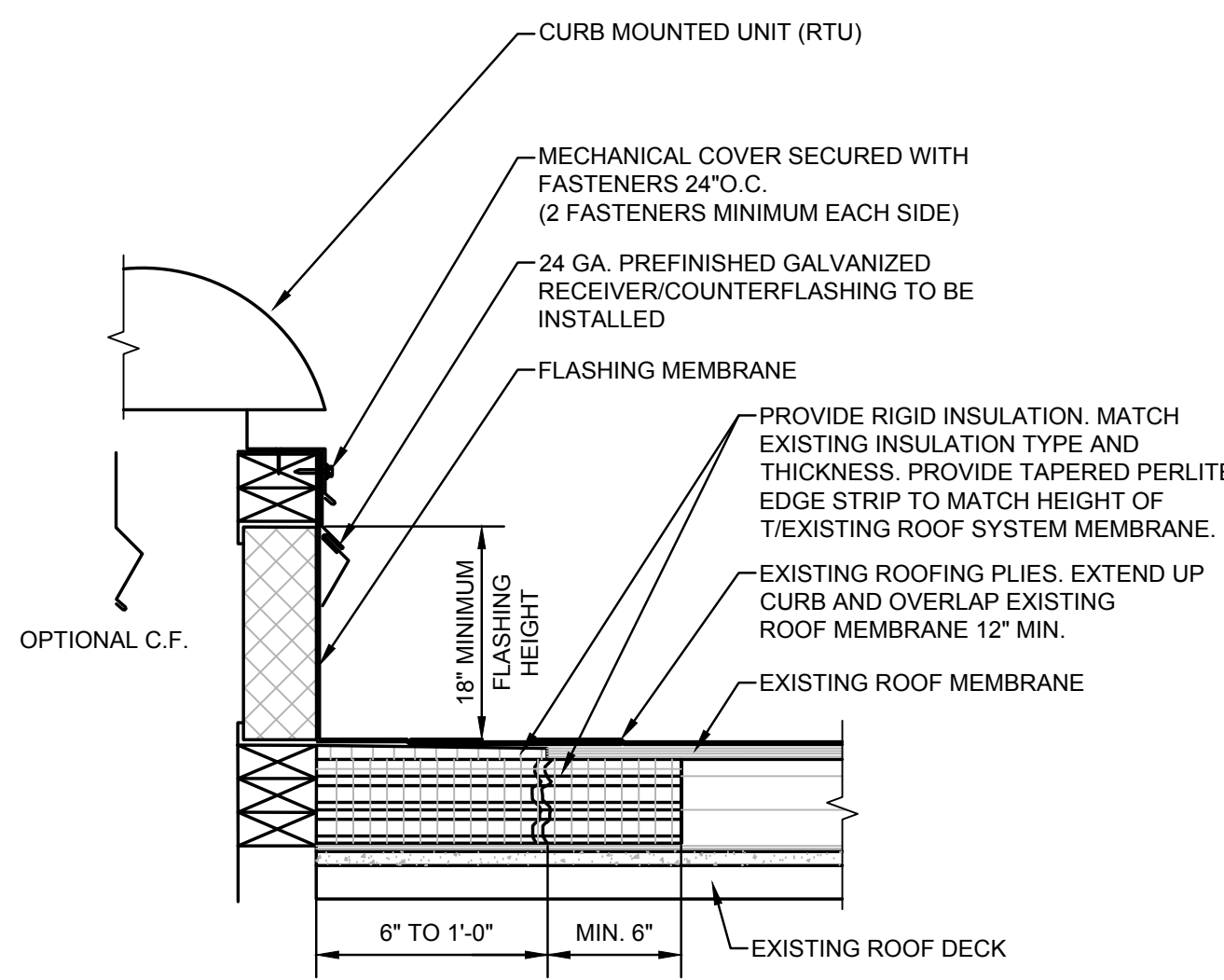
**CME MULT-ZONE ROOFTOP ZONE DAMPER SCHEMATIC (RTU-1)**

NO SCALE



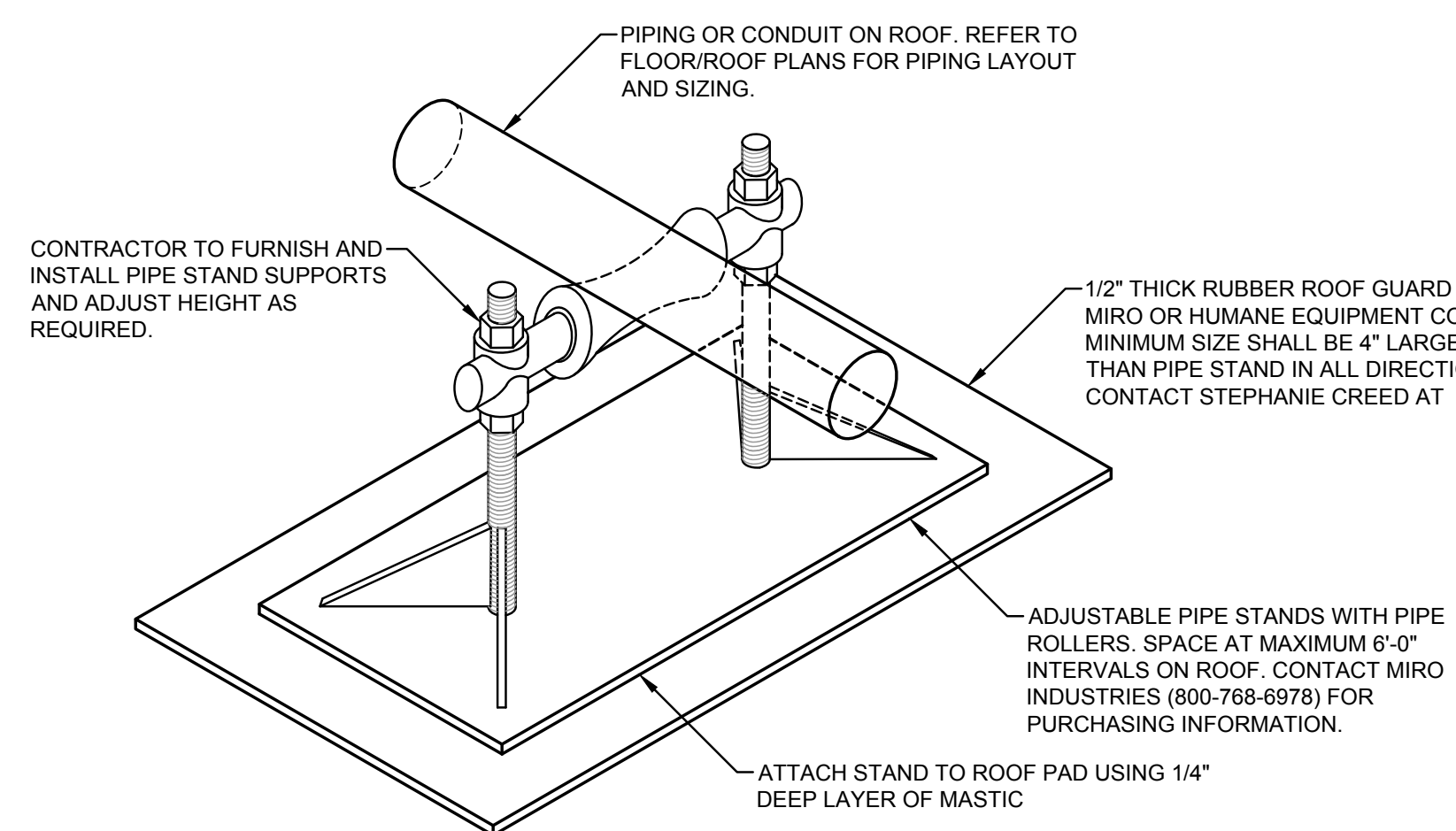
**CME MULT-ZONE ROOFTOP UNIT**

NO SCALE



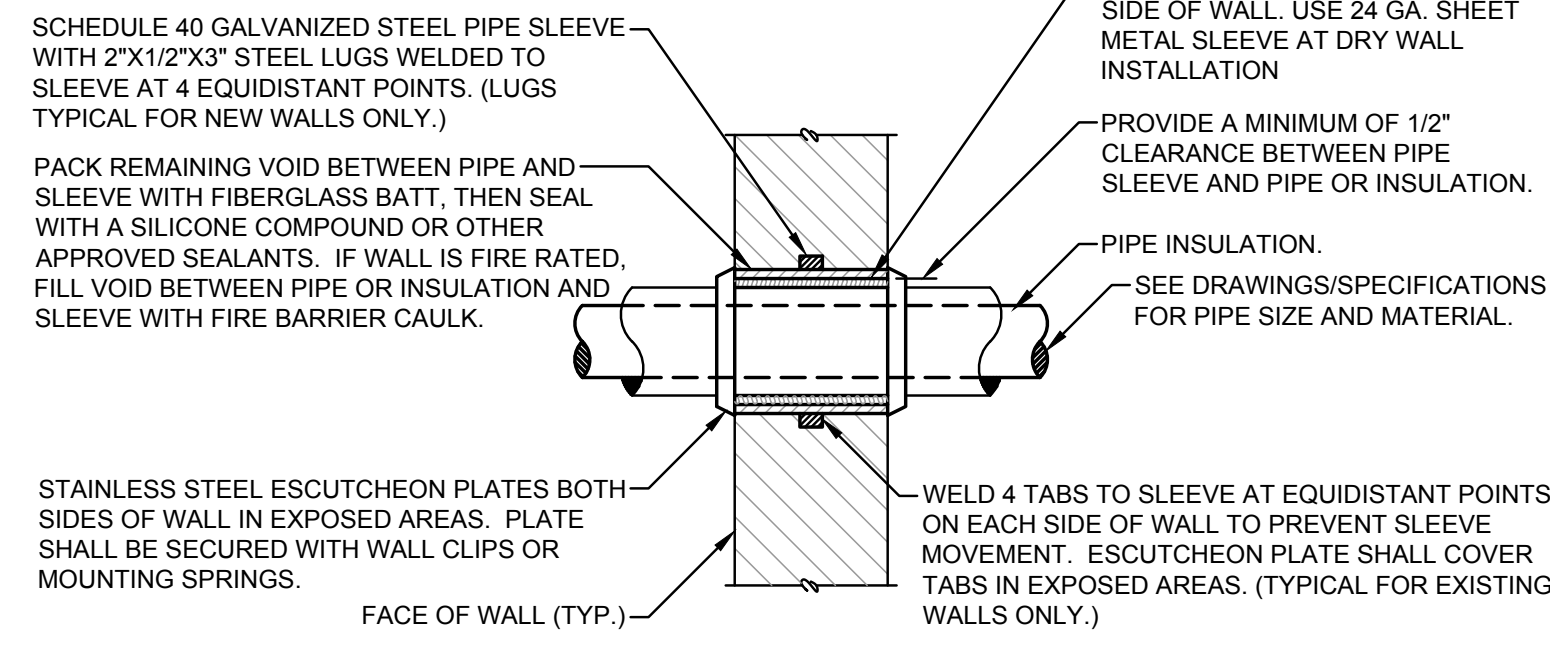
**TYP. CURB AT REPLACED RTU**

NO SCALE



**ADJUSTABLE PIPING OR CONDUIT (UP TO 6\"/>**

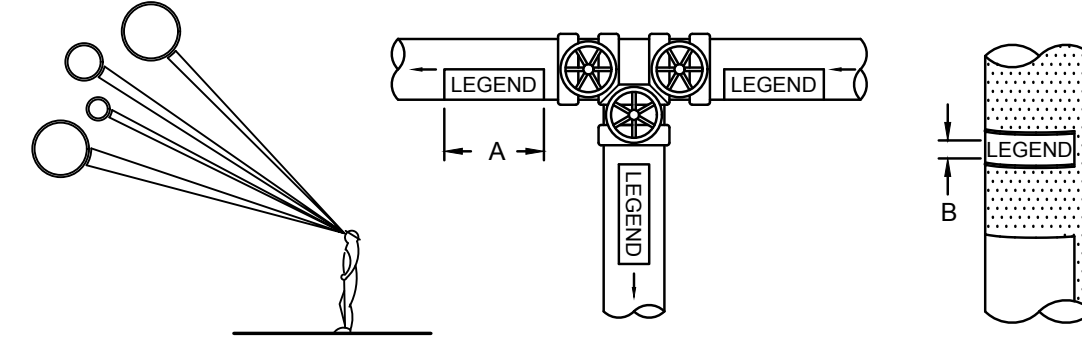
NO SCALE



- NOTES:
- I.D. OF PIPE SLEEVE TO BE A MIN. OF 1/2\"/>
  - CONTRACTOR SHALL BE RESPONSIBLE FOR THE COORDINATION OF THEIR SLEEVES WITH OTHER TRADES AND/OR CONTRACTORS.
  - PIPE SLEEVES THRU SMOKE OR FIRE WALLS SHALL BE IN COMPLIANCE WITH NFPA-99A.

**PIPE SLEEVE THRU INTERIOR WALL DETAIL**

NO SCALE



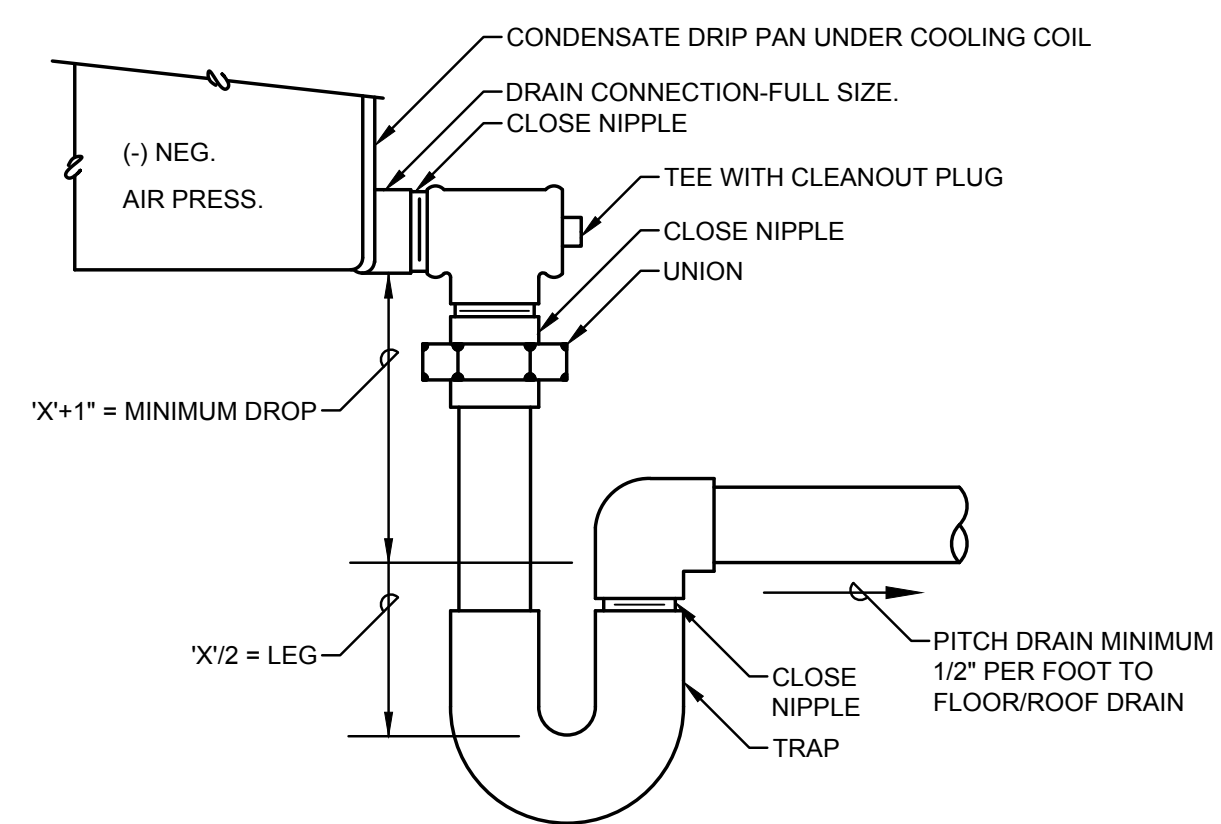
NOTE:  
IDENTIFICATION MARKERS OR STRIPS TO BE PLACED ON ALL EXPOSED COVERED AND UNCOVERED PIPES AT 50'-0\"/>

SIZE OF LEGEND LETTERS		
OUTSIDE DIAMETER OF PIPE OR COVERING	LENGTH OF COLOR FIELD A	SIZE OF LETTERS B
3/4\"/>	8"	1/2"
1 1/2\"/>	8"	3/4"
2\"/>	12"	1 1/4"
3\"/>	24"	2 1/2"
4\"/>	32"	3 1/2"

SERVICE	BACKGROUND OR COLOR BAND	IDENTIFICATION MARKER
CONDENSATE	YELLOW	BLACK ON YELLOW
REFRIGERANT SUCTION	GREEN	WHITE ON GREEN
REFRIGERANT LIQUID	GREEN	WHITE ON GREEN
REFRIGERANT HOT GAS	GREEN	WHITE ON GREEN
NATURAL GAS	YELLOW	BLACK ON YELLOW
NATURAL GAS VENT	YELLOW	BLACK ON YELLOW

**TYPICAL PIPE IDENTIFICATION MARKERS**

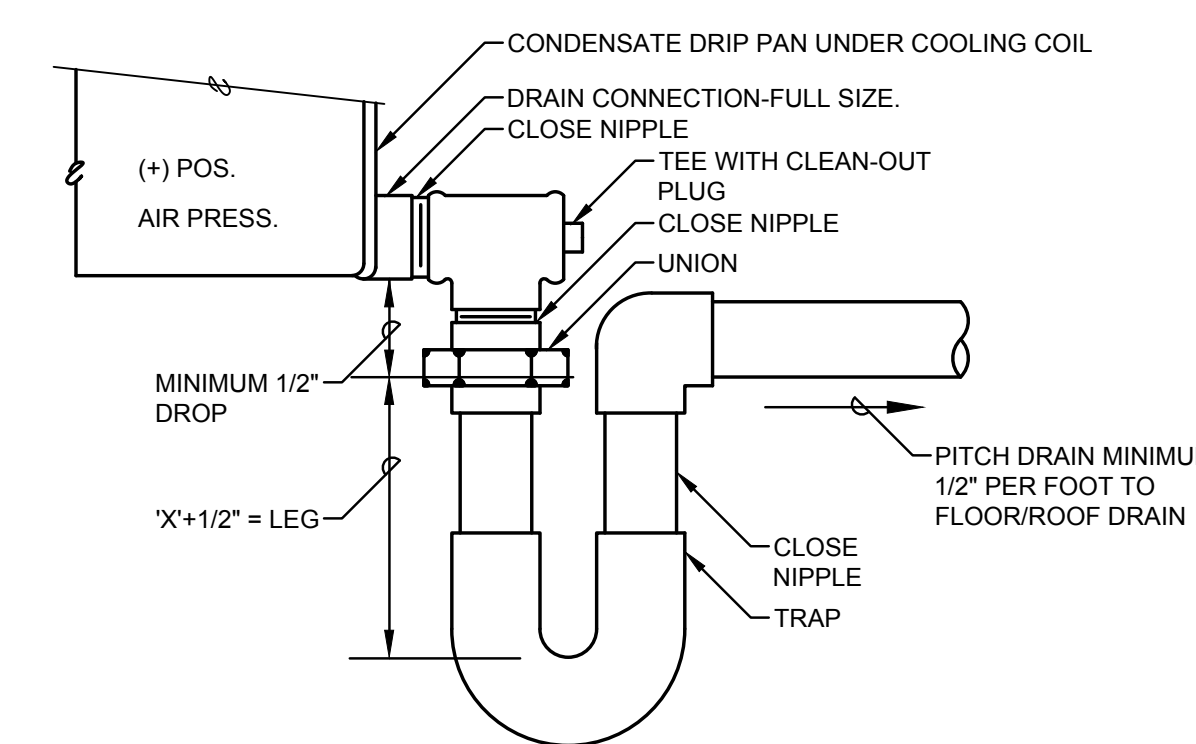
NO SCALE



- NOTES:
- 'X' = SUCTION PRESSURE AT FAN INLET (NEGATIVE INTERNAL S.P.)
  - FOR ROOFTOP UNITS, SPILL DRAIN TO OVER 12\"/>

**DRAW-THRU COOLING COIL DRIP PAN DRAIN DETAIL**

NO SCALE

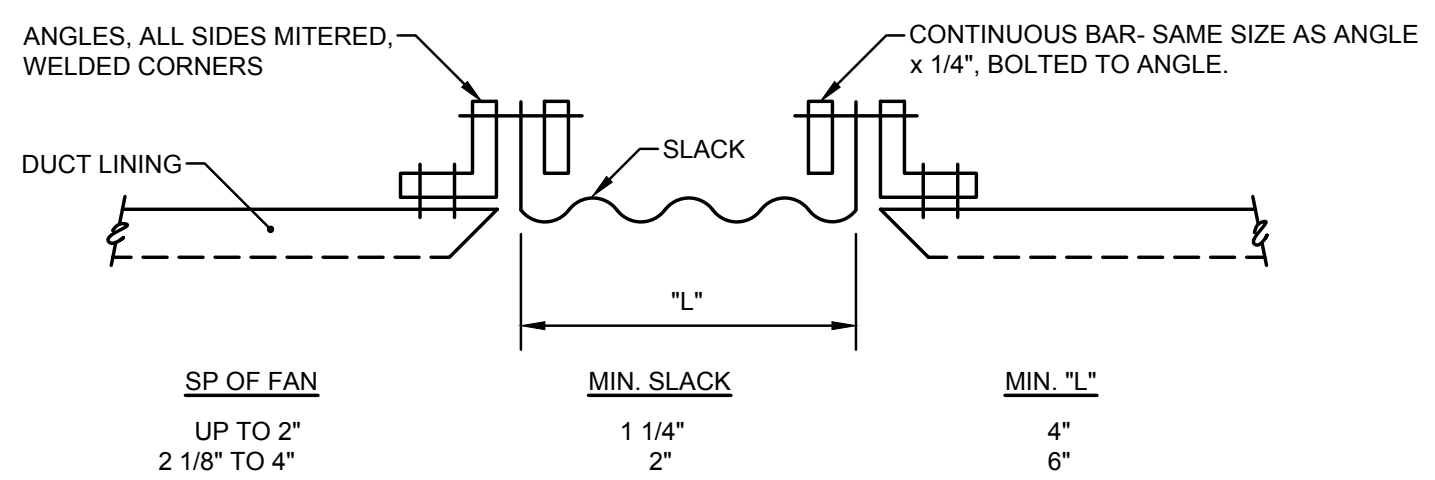


- NOTES:
- 'X' = DISCHARGE PRESSURE OF FAN (POSITIVE INTERNAL S.P.)

**BLOW-THRU COOLING COIL DRIP PAN DRAIN DETAIL**

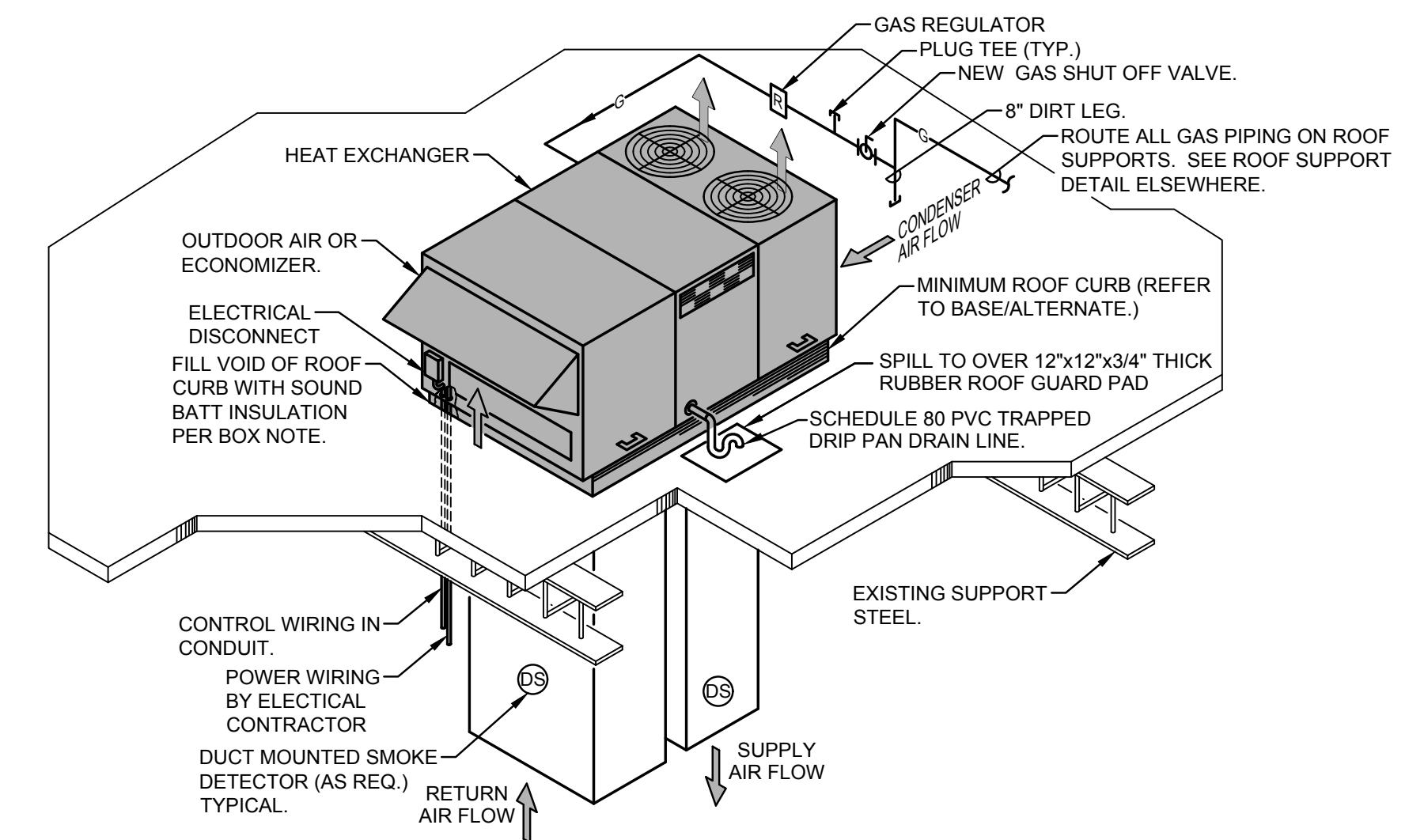
NO SCALE

NOTE:  
FLEXIBLE CONNECTION TO ISOLATE ALL DUCTS FROM ALL FANS AND FAN ENCLOSURES TO PREVENT TRANSMISSION OF VIBRATION TO DUCTWORK AND STRUCTURE.



**FLEXIBLE CONNECTION DETAIL**

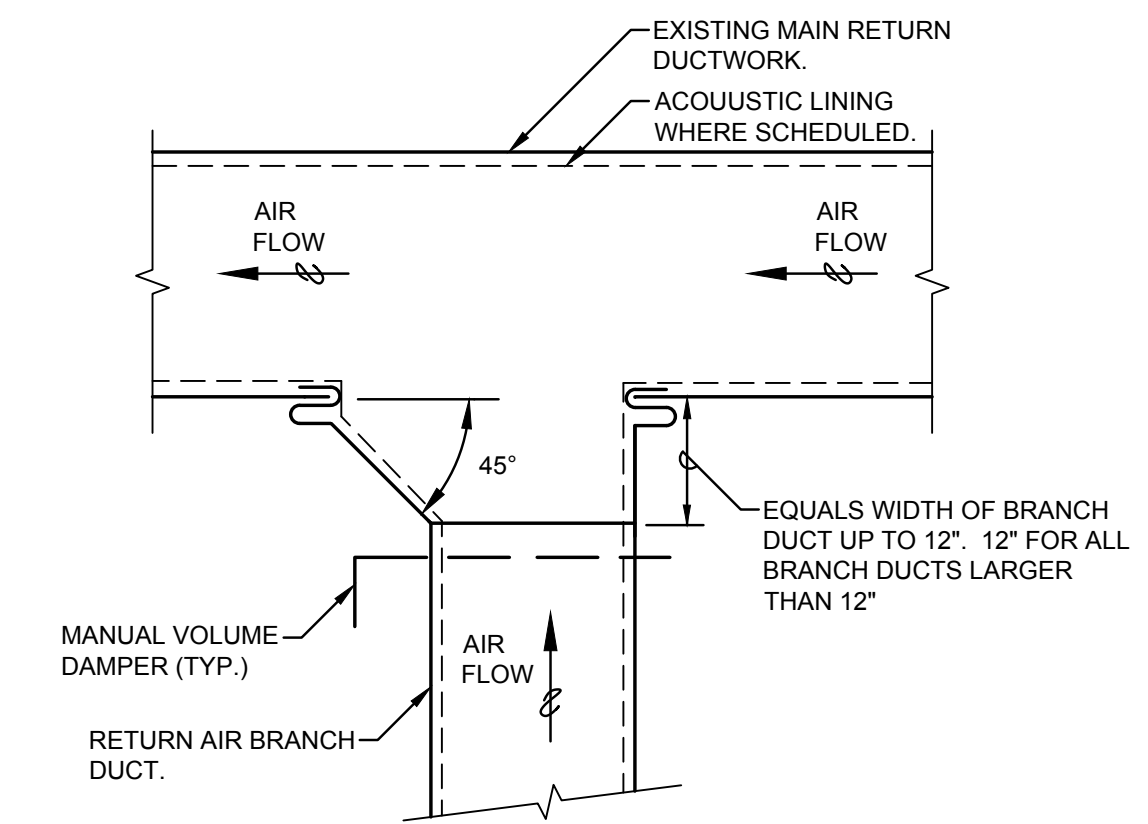
NO SCALE



ROOF CURB SOUND FILL NOTES:  
FILL VOIDS OF EQUIPMENT ROOF CURBS WITH THE FOLLOWING MATERIALS STARTING AT BOTTOM:  
1. 2 LAYERS OF 5/8\"/>

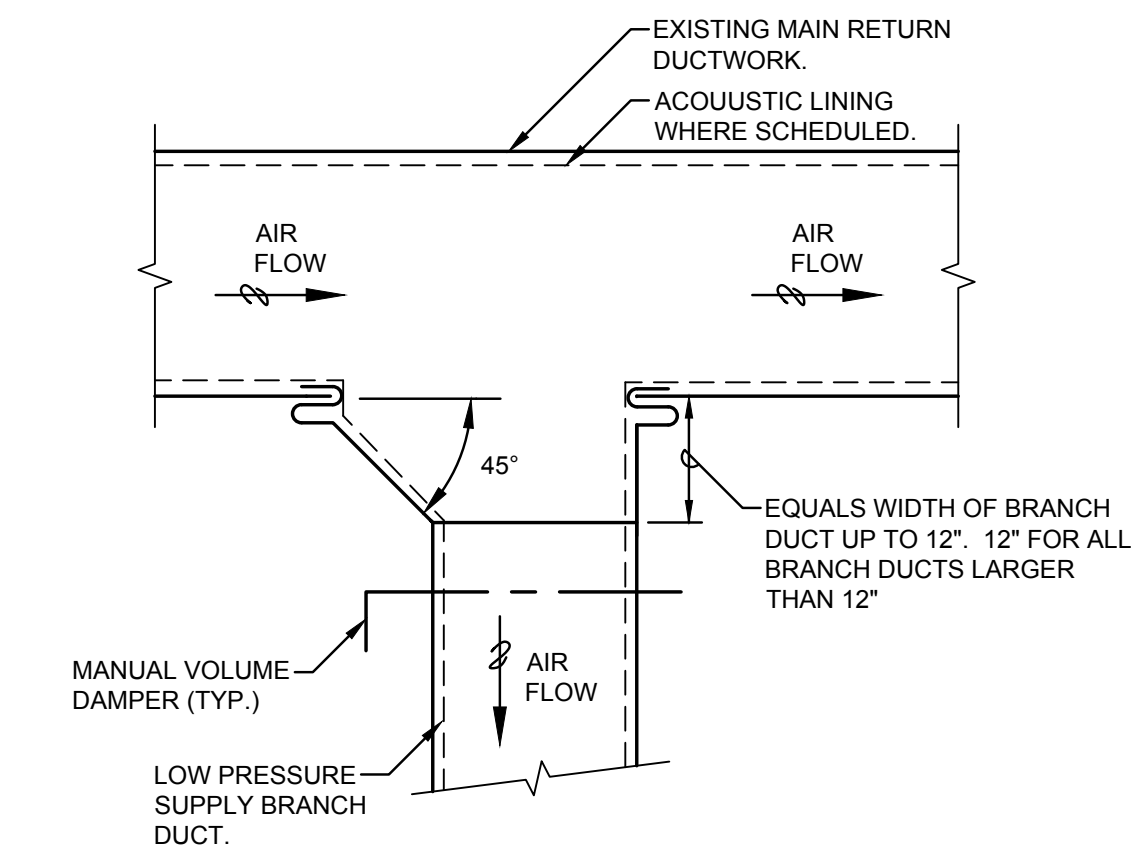
**MULTI-ZONE ROOFTOP UNIT INSTALLATION DETAIL**

NO SCALE



**TYP. RETURN BRANCH DUCT TAKE-OFF**

NO SCALE



**TYP. SUPPLY BRANCH DUCT TAKE-OFF**

NO SCALE

Revisions:  
ISSUED FOR BID 10/14/2024

**CS2 DESIGN GROUP LLC**  
837 Oakton Street  
Elk Grove, IL 60007  
Tel: 847-981-1880  
Fax: 847-981-1885  
www.cs2designgroup.com

HVAC DETAILS

**ROOFTOP UNIT REPLACEMENT**  
RAYMOND ELLIS ELEMENTARY SCHOOL  
720 CENTRAL PARK DR, ROUND LAKE, IL 60073  
ROUND LAKE CUSD 116  
884 W NIPPERSINK RD  
ROUND LAKE, IL 60073

Issue Date:  
24 JUNE 2024  
Drawn By:  
CS2  
Job Number:  
886-F-1

**HV2.1**

COPYRIGHT © 2024  
CS2 Design Group, LLC

FILE: F:\886-F-1\HV\886F1\_HV2\_1\DWG\886F1\_HV2\_1\HV2\_1\HV2\_1\_10/14/2024\_10:44:44.dwg DATE: 10/14/2024 TIME: 10:48:00