



# Heritage Elementary

Newsletter

February 13, 2025

- 2/13/25 Early Release-12:50PM
- 2/14/25 No School

**Click here to view the entire document**

It's time to order your Memory Book. Click [here](#) for information

4K registration for the 25-26 school year opens on 2/3/25 at 8:00AM Click [here](#) for more information

4th Grade Families [Foxview Orientation Letter](#)

Mrs. Loppnow's kindergarten artists were chosen to show their artwork at the Bellevue Scooter's Coffee location! What a fun way to share our art with the community! Congratulations kinder artists! If you would like to check out the artwork, it will be shown until the end of February.





# Heritage Elementary

Newsletter

February 2025

## Unified School District of De Pere 2025 Summer School, June 3rd-20th

### ***Course Request Period Begins Monday, April 7th at 8:00am***

Class offerings include exploratory, enrichment, sports, math and reading intervention classes.

**Summer School catalogs will be available online in March**, along with important instructions about how to request courses. To view the catalog, visit our De Pere website, [www.deperek12.org](http://www.deperek12.org), click on Teaching and Learning, then on Summer Programs.

Pre-K through grade 2 courses will be held at Heritage Elementary, and courses for grades 3 – 8 will be held at De Pere Middle School. Speed and Strength, ACT prep classes and some athletic programs will be held at the High School.

Parents will enter their students' summer school course requests through their Infinite Campus Parent Portal between Monday, April 7th, at 8:00 AM through Friday, April 11th. **Please closely read the Registration Guide (available in March) to understand this process.**

### [Student Drop-off and Pick-Up Procedures](#)

We want to make sure you have all the resources you need to stay informed and connected to school events and activities.

To keep track of upcoming events, please visit our school [website](#). You can access a calendar of school events by clicking School Calendar. This page is updated regularly to include school events, special activities and other important dates. You can also subscribe to the Heritage Calendar by clicking [here](#). By subscribing, you'll have school events directly added to your personal calendar, so you never miss an important date.

Call the Heritage office at 920.337.1035 if you have any questions.



# Heritage Highlight

## 4th Grade Students Explore Coding with Microbit!

Over the last month, our 4th-grade students embarked on an exciting journey into the world of coding using the Microbit, a small but powerful device that is found inside many modern electronics. Through hands-on lessons, they discovered how technology around them—like phones, motion lights, and fitness trackers—rely on coding to function.

Throughout the unit, students learned to program key features of the Microbit, including:

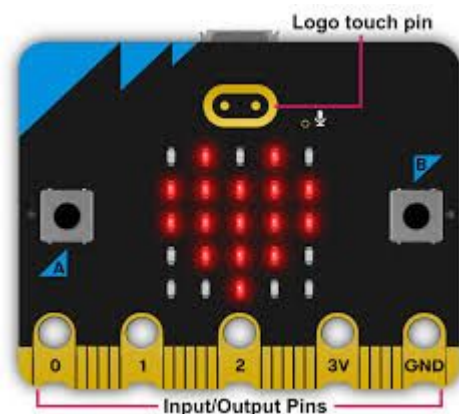
- ✓ **Buttons** – Making the device respond to user input
- ✓ **Sensors** – Detecting movement
- ✓ **LED Lights** – Creating emojis/icons and scrolling words

The highlight of the project was designing and coding a **virtual pet**, inspired by the classic Tamagotchi toy. Students programmed their Microbit pets to respond to actions like feeding, playing, and even showing emotions on the LED display!

This engaging experience not only introduced students to basic programming but also encouraged problem-solving, creativity, and computational thinking. Ask your child about the virtual pet and what was learned—you might be surprised at their enthusiasm for coding!

Microbits are available on Amazon for about \$20. The MakeCode website has a number of tutorials for students to continue their learning.

We are so proud of our young programmers and can't wait to see how they continue to grow in their tech skills! A special thanks to Mrs. Krebsbach and Mrs. Bonetti for introducing this to the students.







# Heritage Elementary PTO

## Mark Your Calendars!

### **PTO Meeting — March 13th, 6 PM**

- Join us in the Library for our March meeting!

### **Pizza Bingo Book Swap — Friday March 7th, 6-8 PM at Heritage**

- **Book Swap** : Prior to event date, students bring in gently used books and exchange them for new-to-them titles! Look for info to come home with your student!
- **Bingo** : Each Bingo board is \$1, and there will be awesome prizes (including books) for the winners!
- **Pizza & Concessions** : Food will be available for purchase, so you can enjoy a meal or snack!

### **Dance-a-Thon — May 7th**

- The PTO uses funds earned with this event to provide family friendly events (like STEAM Night), fund teacher grant requests, aid in field trip transportation costs, support our teachers with appreciation gifts, and more! More info to come!

### **Blizzard Night — April 11th**

- Join us at the Resch for a fun night of football! Mr. G will Dash for Cash at halftime!
- Flyer with info how to get tickets will be sent home soon! Let's fill the stands with Huskies!

## Hungry Huskies Recap

The PTO wants to thank you for your generous support during our Hungry Huskies events, where we partner with local restaurants and earn a portion of their profits!

## Spirit Wear

Spirit Wear is available online 24/7—get your Husky or DP gear now!! Orders over \$75 ship for free—because who doesn't love a great deal? Check out these links!

- [De Pere School Store](#)
- [Heritage School Store](#)

## Dance-a-thon Sponsorships!

We're looking for sponsors to help cover the cost of T-shirts for our Spring **Dance-a-thon Fundraiser** —the biggest event of the year! If you or your business want to get in on the action and support this fun, energetic event, we'd love to hear from you! If interested, email [PTOHeritageSchool@gmail.com](mailto:PTOHeritageSchool@gmail.com)!

## Are You Following Us on Facebook?

Stay in the loop and never miss an update! Like and follow our [Heritage PTO Facebook Page](#) for the latest news, event updates and ways to get involved.



# HUSKY

# STEAM

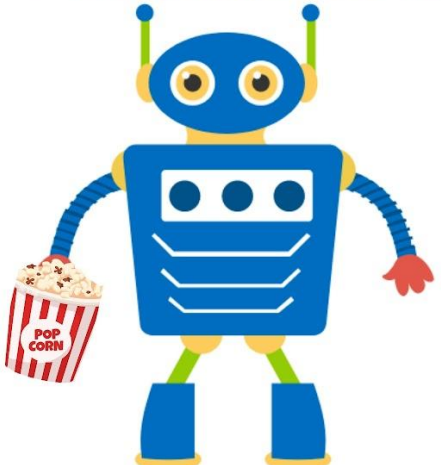
SCIENCE • TECHNOLOGY • ENGINEERING • ART • MATHEMATICS

# NIGHT

THE PTO THANKS YOU FOR YOUR PARTICIPATION!



WOW! Thanks for all of the participation at our very first fun-filled STEAM Activity Night on Wed 2/12! Families explored Science, Technology, Engineering, Arts, and Math through hands-on activities and games! So many smiles were had! Shout out to Mathnasium for their participation! Kids were even able to experience Blaze Pods thanks to generosity from Heritage parent, Jackie Goddard. Students showed off their coding skills thanks to help from Cara Krebsbach! We all ate our weight in popcorn with our new machine, too!



## District Events

[DPMS Rockin' Redbirds Show Choir - Second Annual Talent Extravaganza!](#) 2/21/25

[De Pere Child Development Screening](#)  
[Spanish version](#)

[Youth Basketball Players Game Admission](#)

[New Redbirds Gear Site](#) - Team Apparel of Green Bay

[De Pere Boys' & Girls' Basketball Opportunities \(1st - 8th Grade\)](#)

Registration is now open for De Pere Basketball Skills Leagues and Booster Club teams 1st - 8th Grade for both Boys' & Girls'. The registration links can be found at <https://www.deperebasketball.com/register>

[Rising Redbirds](#)

[De Pere Girls Softball Summer League Registration now-March 7](#)

## Community Events

[KICKS Synchronized Skating Open Skate 2/21/25](#)

[De Pere Youth Baseball Registration](#)

[De Pere Rapides Youth Soccer League-Registration](#)

[Upcoming Programs -Ledgeview](#)

[De Pere Park & Rec Summer Programs](#)

[STEM event at UWGB](#)

[Hilly Haven Junior Golf Academy 24-25](#)

[Junior Golf Academy PDF](#)

[UWO Baseball Clinics](#)

[Fox River Classic Youth Football](#)

[Project Play 60-2/15/25](#)

[Safety Town - 2025](#)

## **Heritage Elementary Past Newsletters**

**[Newsletter 2/6/25](#)**

**[Newsletter 1/30/25](#)**

**[Newsletter 1/16/25](#)**

### **2024**

**[Newsletter 12/19/24](#)**

**[Newsletter 11/21/24](#)**

**[Newsletter 11/14/24](#)**

**[Newsletter 11/7/24](#)**

**[Newsletter 10/31/24](#)**

**[Newsletter 10/24/24](#)**

**[Newsletter 10/10/24](#)**

**[Newsletter 10/3/24](#)**

**[Newsletter 9/20/24](#)**

**[Newsletter 9/24](#)**

**[Newsletter 8/24](#)**