

1. Two high school classes took the same exam. One class of 35 students had a mean grade of 70 while the other class of 25 had a mean grade of 85. What is the mean grade for all students in both classes?

ANSWER

SCHOOL \_\_\_\_\_

GRADE \_\_\_\_\_

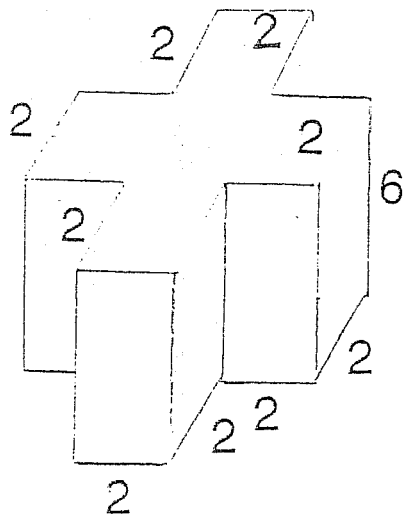
9. A group of 35 math students took an exam. Their average score was 90. A second group of 25 math students took the same exam. Their average was 75. What is the average score for all students in both groups.

ANSWER

SCHOOL \_\_\_\_\_

GRADE \_\_\_\_\_

2. Find the surface area of the figure below:

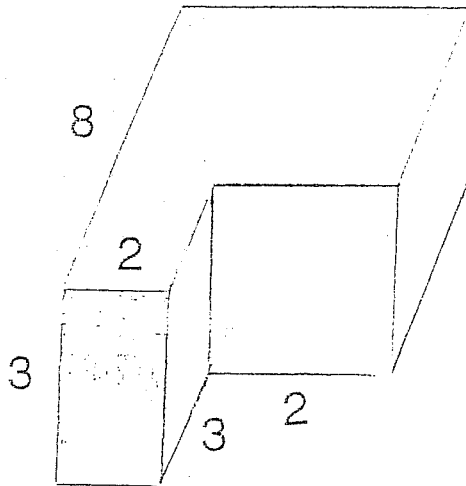


ANSWER

SCHOOL \_\_\_\_\_

GRADE \_\_\_\_\_

10. Find the surface area of the figure below:

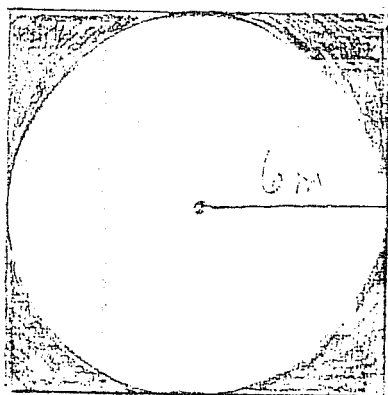


ANSWER

SCHOOL \_\_\_\_\_

GRADE \_\_\_\_\_

3. What is the area of the shaded region of the figure below? (Use  $\pi = 3.14$ )

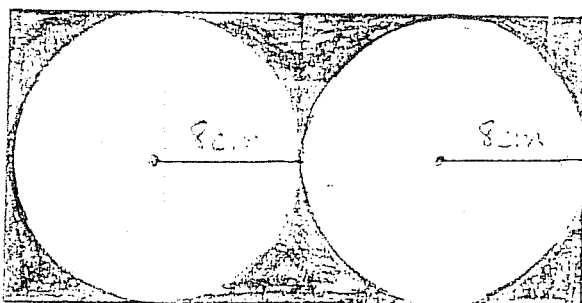


ANSWER

SCHOOL \_\_\_\_\_

GRADE \_\_\_\_\_

11. What is the area of the shaded region of the figure below? (Use  $\pi = 3.14$ )



ANSWER

SCHOOL \_\_\_\_\_

GRADE \_\_\_\_\_

4. The lengths of the sides of a cube are doubled. What fraction is the original cube to the enlarged cube?

ANSWER

SCHOOL \_\_\_\_\_

GRADE \_\_\_\_\_

12. The lengths of the sides of a cube is tripled. What fraction is the original cube to the enlarged cube?

ANSWER

SCHOOL \_\_\_\_\_

GRADE \_\_\_\_\_

5. Eighty-seven million, two hundred forty-seven thousand, six hundred twenty three pounds of aircraft have landed at Above the Clouds Airport this month. Last month, 34,928,549 lb of aircraft landed. How many more pounds of flying machines landed this month?

ANSWER

SCHOOL \_\_\_\_\_

GRADE \_\_\_\_\_

13. Forty-two million, nine hundred fifteen thousand, two hundred forty-seven pounds of air cargo has been moved by We'll-Lug-It Transport Company since it first began as a company. This year alone, the company moved 8,186,352 lb! How many pounds of cargo did it move before this year?

ANSWER

SCHOOL \_\_\_\_\_

GRADE \_\_\_\_\_

6. Mrs. Thistleneck could not believe that  $\frac{3}{8}$  of the students in her class have private phones in their bedrooms!  $\frac{6}{24}$  of these students were allowed to make long distance calls to their relatives. What fraction of the class was not allowed to make out-of-town calls?

ANSWER

SCHOOL \_\_\_\_\_

GRADE \_\_\_\_\_

14. At Gina's school,  $\frac{14}{15}$  of the band went on the trip to the state competitions!  $\frac{2}{3}$  of these students rode the bus there. The percussion section had to ride privately due to a sports activity. What fraction of the band rode privately?

ANSWER

SCHOOL \_\_\_\_\_

GRADE \_\_\_\_\_

7. Eric expects to buy a new sweater. Saturday he saw one that he liked. The clerk told him that it could be bought for 20% less than it was marked. It was marked \$44.50. How much would Eric have to pay?

ANSWER

SCHOOL \_\_\_\_\_

GRADE \_\_\_\_\_

15. A set of books was listed for \$68.95. By paying cash, one may buy the books for 20% less than the price listed. By paying cash how much less would the books cost?

ANSWER

SCHOOL \_\_\_\_\_

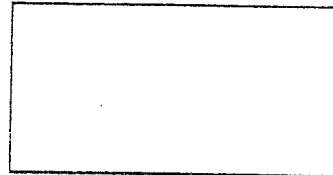
GRADE \_\_\_\_\_

8. A lot is in the shape of a trapezoid. If its parallel sides are 120 feet and 136 feet, respectively, and its width is 60 feet, what is its area?

ANSWER

SCHOOL \_\_\_\_\_

GRADE \_\_\_\_\_

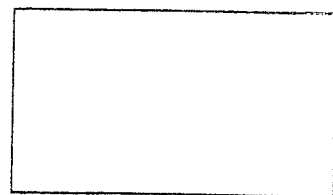


16. The side of a building is in the form of a trapezoid. The two parallel sides are 8.5 feet and 12 feet, respectively. The width of the building is 16 feet. What is the area of the side of the building?

ANSWER

SCHOOL \_\_\_\_\_

GRADE \_\_\_\_\_



Burger King and Southeast Bulloch  
1999 Math Team 5th and 6th Grade Math Tournament  
Individual Answers

- |     |   |     |   |
|-----|---|-----|---|
| 1.  | B | 21. | B |
| 2.  | A | 22. | B |
| 3.  | D | 23. | B |
| 4.  | C | 24. | D |
| 5.  | C | 25. | A |
| 6.  | D | 26. | B |
| 7.  | B | 27. | D |
| 8.  | D | 28. | C |
| 9.  | D | 29. | A |
| 10. | B | 30. | D |
| 11. | D | 31. | C |
| 12. | D | 32. | C |
| 13. | B | 33. | D |
| 14. | A | 34. | D |
| 15. | D | 35. | D |
| 16. | D | 36. | B |
| 17. | D | 37. | B |
| 18. | C | 38. | D |
| 19. | C | 39. | C |
| 20. | A | 40. | D |

CIPHERING ANSWERS

- |    |            |     |            |
|----|------------|-----|------------|
| 1. | 76.25      | 9.  | 83.75      |
| 2. | 184        | 10. | 124        |
| 3. | 30.96      | 11. | 110.08     |
| 4. | 1/8        | 12. | 1/27       |
| 5. | 52,319,074 | 13. | 34,728,895 |
| 6. | 9/32       | 14. | 14/45      |
| 7. | 35.60      | 15. | 13.79      |
| 8. | 7680       | 16. | 164        |