



November 14, 2024

Addendum #002

Project: Tulsa Public Schools – Transition Academy at Grimes
Interior Renovation
Tulsa, Oklahoma

Owner: Tulsa Public Schools
From: Tulsa Public Schools
To: Prospective Bidders

This addendum forms a part of the Contract Documents and modifies the original Bidding Documents dated 10/29/2024 as noted below. Acknowledge receipt of this Addendum in the space provided on the Bid Form. Failure to do so may subject the Bidder to disqualification. This Addendum consists of the below items including attachments.

Architectural and Specifications

1. Sheet A611: All frames to be hollow metal frames.
2. Doors with access controls are shown on E101.
3. Delete new power data for workstations shown in Classroom 6C.
4. Ceilings: Provide new lay-in ceilings in all restrooms, main office, and principal office. Patch ceilings in classrooms where walls are removed.
5. Water should be supplied to refrigerators in Classroom 10.

End of Addendum #002

GLAZING & FRAMING NOTES:

GLAZING TYPES:
 TYPE I TEMPERED GLASS, CLASS 1 CLEAR, Q3 (GLAZING SELECT), 1/4" THICK
 TYPE II SENTRY GUARD HARDENED GLASS (TWO LAYERS)

NOTES:
 1. SOLID CORE WOOD DOOR WITH 2 LAYERS SENTRY GUARD GLASS IN LITE. DOOR FRAME TO BE 14 GA METAL FRAMES WITH 4 ANCHOR POINTS.
 2. HOLLOW METAL FRAME DEPTHS ARE APPROXIMATE AND MAY VARY FROM MANUFACTURER TO MANUFACTURER. CONTRACTOR SHALL VERIFY EXACT REQUIRED DEPTH OF EACH FRAME PRIOR TO FABRICATION.

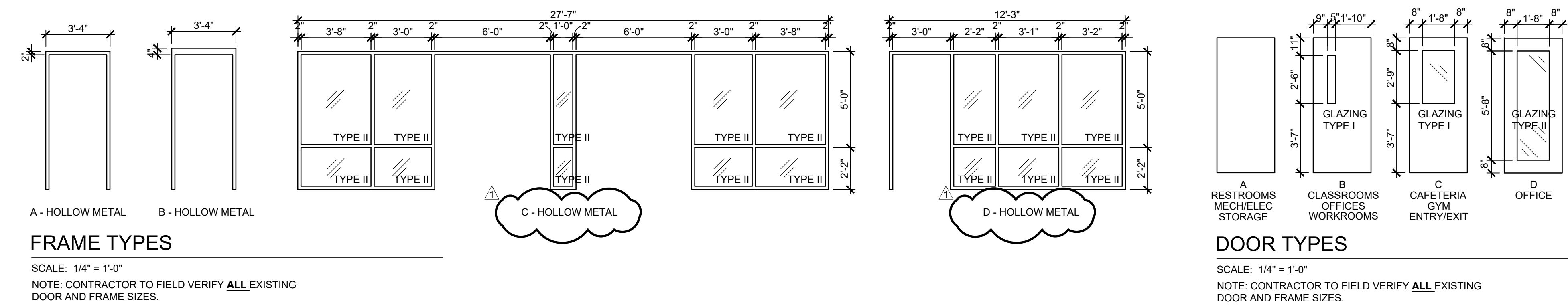
EXISTING DOOR FRAME AND DOOR SIZES ARE APPROXIMATE. CONTRACTOR SHALL VERIFY EXACT SIZE PRIOR TO FABRICATION.

DOOR HARDWARE NOTES:

1. ALL DOORS TO HAVE ACCESSIBLE HARDWARE WITH FREE EGRESS IN THE DIRECTION OF EGRESS REQUIRING ONLY ONE OPERATION.

DOOR SCHEDULE

MARK	DOOR							FRAME				FIRE RATING (IN MINUTES)	REMARKS			
	TYPE	WOOD	HOLLOW METAL	ALUMINUM	FRP	OTHER	WIDTH	HEIGHT	THICKNESS	TYPE	WOOD			HOLLOW METAL	ALUMINUM	EXISTING
001	D						3'-0"	7'-0"	1 3/4"	B					20	
002	D						PR 3'-0"	7'-0"	1 3/4"	D					20	
003	D						PR 3'-0"	7'-0"	1 3/4"	C					20	
004	D						PR 3'-0"	7'-0"	1 3/4"	C					20	
005	A						3'-0"	7'-0"	1 3/4"	A					20	
006	A						3'-0"	7'-0"	1 3/4"	A					20	
007	A						3'-0"	7'-0"	1 3/4"	A					20	
008	B						3'-0"	7'-0"	1 3/4"	A					20	
009	B						3'-0"	7'-0"	1 3/4"	A					20	
010	B						3'-0"	7'-0"	1 3/4"	A					20	
011	A						3'-0"	7'-0"	1 3/4"	A					20	
012	B						PR 3'-0"	7'-0"	1 3/4"						20	
101	B						3'-0"	7'-0"	1 3/4"						20	
102	B						3'-0"	7'-0"	1 3/4"	A					20	
103	B						3'-0"	7'-0"	1 3/4"	A					20	
104	B						3'-0"	7'-0"	1 3/4"	A					20	
105	B						3'-0"	7'-0"	1 3/4"	A					20	
106	B						3'-0"	7'-0"	1 3/4"	A					20	
106A-1	B						3'-0"	7'-0"	1 3/4"	A					20	
106A-2	B						3'-0"	7'-0"	1 3/4"						20	
106B-1	B						3'-0"	7'-0"	1 3/4"						20	
106B-2	B						3'-0"	7'-0"	1 3/4"						20	
106C	B						3'-0"	7'-0"	1 3/4"						20	
106D	A						3'-0"	7'-0"	1 3/4"	A					20	
107	B						3'-0"	7'-0"	1 3/4"	A					20	
108	B						3'-0"	7'-0"	1 3/4"	A					20	
109	B						3'-0"	7'-0"	1 3/4"	A					20	
109A	A						PR 2'-6"	7'-0"	1 3/4"	A					20	
110	B						3'-0"	7'-0"	1 3/4"	A					20	
111	B						3'-0"	7'-0"	1 3/4"						20	
112	B						3'-0"	7'-0"	1 3/4"	A					20	
114	B						3'-0"	7'-0"	1 3/4"						20	
115	B						3'-0"	7'-0"	1 3/4"						20	
115A	B						3'-0"	7'-0"	1 3/4"						20	
116	B						3'-0"	7'-0"	1 3/4"	A					20	
117	B						3'-0"	7'-0"	1 3/4"						20	
TLT01	A						3'-0"	7'-0"	1 3/4"	A					20	
TLT02	A						3'-0"	7'-0"	1 3/4"	A					20	
TLT03	A						3'-0"	7'-0"	1 3/4"	A					20	
GYM01	C						PR 3'-0"	7'-0"	1 3/4"						20	
GYM02	B						PR 3'-0"	7'-0"	1 3/4"						20	
GYM03	B						3'-0"	7'-0"	1 3/4"						20	
GYM04	B						3'-0"	7'-0"	1 3/4"						20	
GYM05	B						3'-0"	7'-0"	1 3/4"						20	
GYM06	B						3'-0"	7'-0"	1 3/4"						20	
GYM07	B						3'-0"	7'-0"	1 3/4"						20	
GYM08	B						3'-0"	7'-0"	1 3/4"						20	
CAF01	C						PR 3'-0"	7'-0"	1 3/4"						20	
CAF02	B						3'-0"	7'-0"	1 3/4"						20	
CAF03	B						3'-0"	7'-0"	1 3/4"						20	
CAF04	B						3'-0"	7'-0"	1 3/4"						20	
CAF05	B						3'-0"	7'-0"	1 3/4"						20	
CAF06	B						3'-0"	7'-0"	1 3/4"						20	



ENGINEER SEAL



PROJECT TITLE
 TRANSITION ACADEMY AT GRIMES

REVISION
 ADDENDUM #01 11/05/2024
 ADDENDUM #02 11/14/2024

SHEET TITLE
 DOOR SCHEDULE AND FRAME & DOOR TYPES
 DATE: 10/29/2024
 SHEET NO.

A611