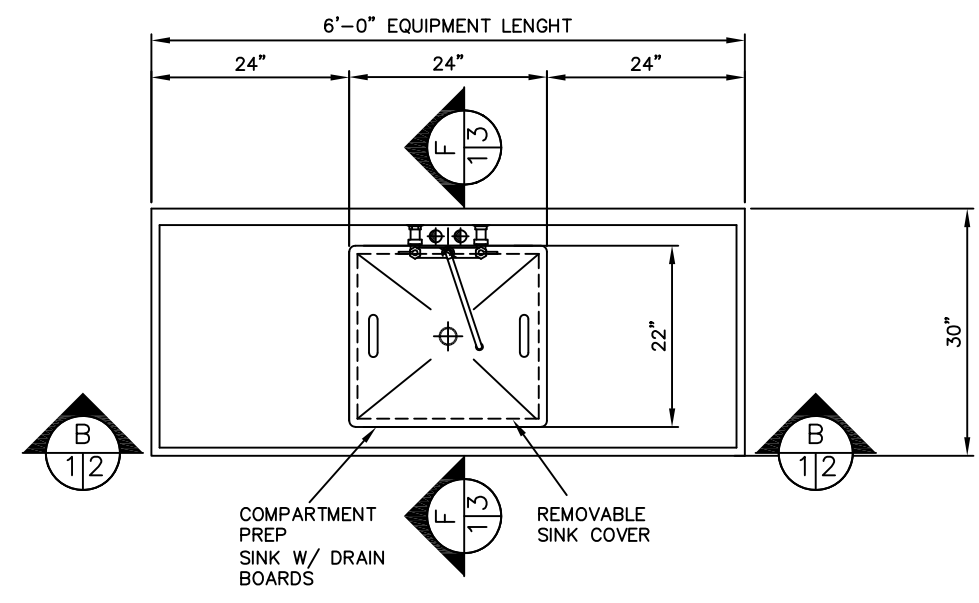
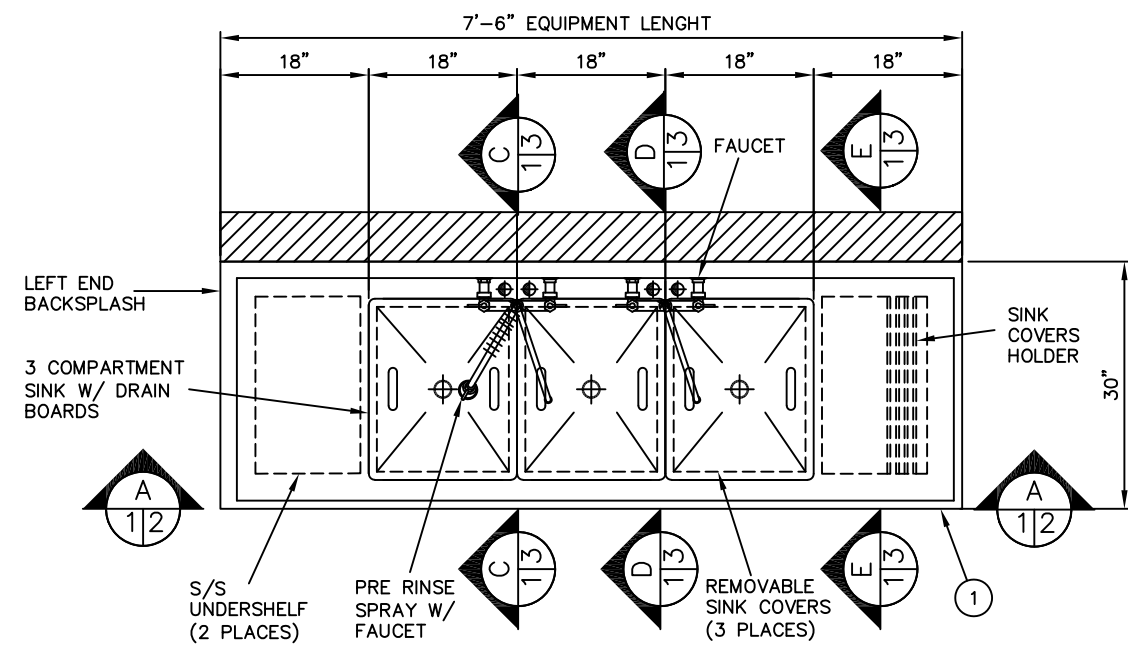


8 7 6 5 4 3 2 1

H
G
F
E
D
C
B
A

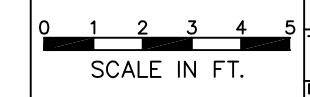


TragenFlex SALES REPRESENTATIVE TO VERIFY THE FOLLOWING:

1. FIELD MEASUREMENTS (REFER TO DWG. #04)
2. LARGEST PIECE OF EQUIPMENT FOR BUILDING ENTRY.
3. LOCATION OF DISHROOM IF NOT ON GROUND LEVEL.

DATE: _____ SIGNATURE: _____

EQUIPMENT LIST (BY TragenFlex)		
ITEM #	DESCRIPTION	QTY
1	SOILED BREAKDOWN SYSTEM TO INCLUDE:-	
	3 COMPARTMENT SINK	1
	COMPARTMENT PREP SINK	1



ALL IDEAS, DESIGNS, PLANS AND ARRANGEMENTS INDICATED BY THIS DRAWING ARE OWNED BY AND ARE THE PROPERTY OF TragenFlex AND WERE CREATED AND DEVELOPED FOR USE ON AND IN CONNECTION WITH THE SPECIFIED PROJECT. NONE OF SUCH IDEAS, DESIGNS, PLANS OR ARRANGEMENTS SHALL BE USED BY OR DISCLOSED TO ANY PERSON, CORPORATION OR FIRM FOR ANY PURPOSE WHATSOEVER WITHOUT THE WRITTEN PERMISSION OF TragenFlex.

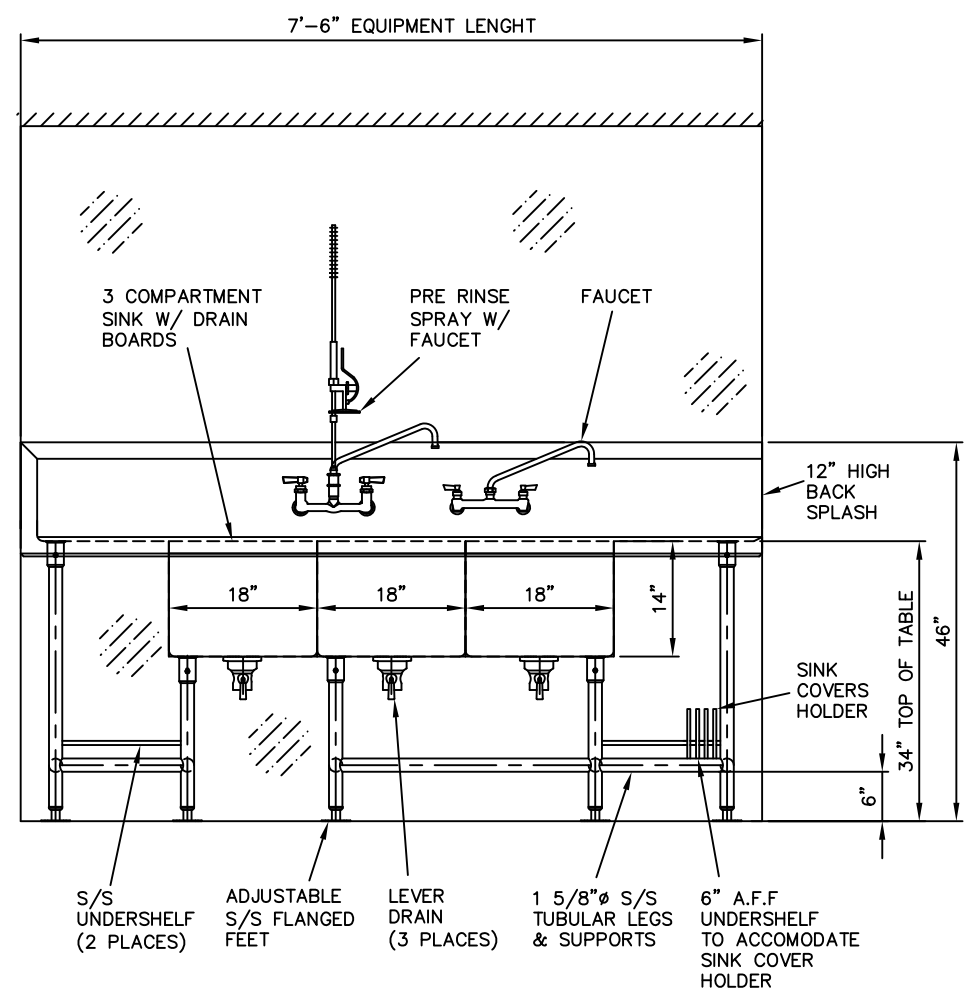
REVISION	A	06/17/24	PROPOSAL WAS #P244266 01A ISSUED FOR APPROVAL	P.B
REVISION		MM/DD/YY	DESCRIPTION	BY
PROJECT NAME:		MEAIRS ELEMENTARY SCHOOL, GARDEN GROVE, CA		MODEL: CS
TITLE: 3-COMPARTMENT SINK PLAN VIEW				
DRAWN BY:	P.B	DATE:	06/17/24	SCALE: 1" = 1'-0"
CHECKED BY:	SUSHANT	DATE:		S1
FOODSERVICE CONSULTANT:		SIZE:	D	DRAWING NO. J244796
		SHEET:	01	REV. A

TragenFlex
 5096 Forest Hill Drive, Mississauga, ON L5M 5A3
 Tel: (905) 363-0333 Fax: (905) 363-0334
 Toll Free: 1-855-363-0334
 www.tragenflex.com

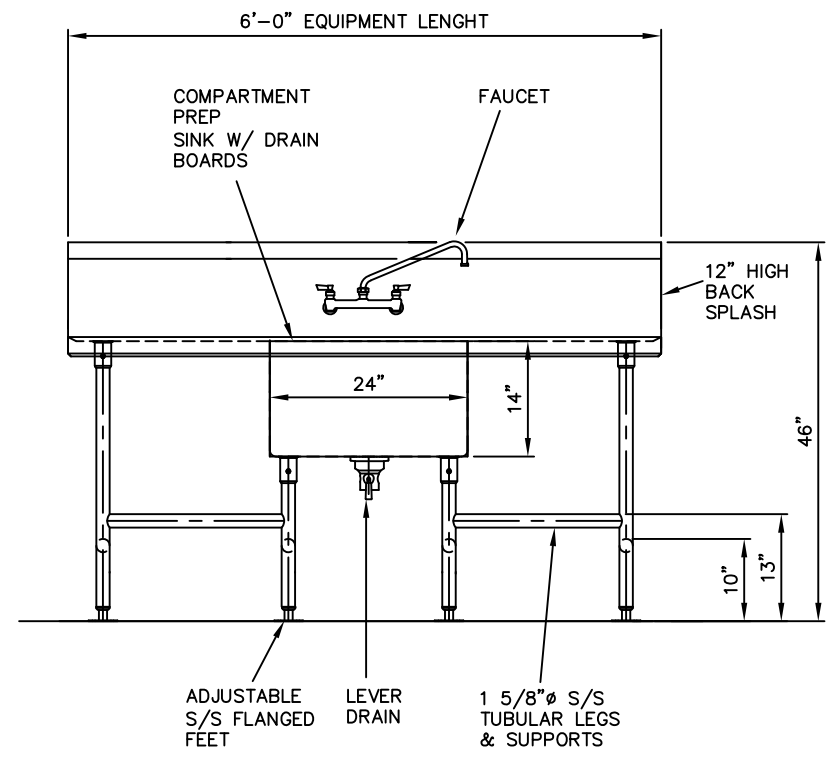
8 7 6 5 4 3 2 1

8 7 6 5 4 3 2 1

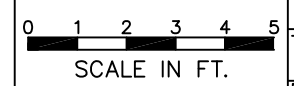
H
G
F
E
D
C
B
A



ELEVATION A 1/2



ELEVATION B 1/2



ALL IDEAS, DESIGNS, PLANS AND ARRANGEMENTS INDICATED BY THIS DRAWING ARE OWNED BY AND ARE THE PROPERTY OF TragenFlex AND WERE CREATED AND DEVELOPED FOR USE ON AND IN CONNECTION WITH THE SPECIFIED PROJECT. NONE OF SUCH IDEAS, DESIGNS, PLANS OR ARRANGEMENTS SHALL BE USED BY OR DISCLOSED TO ANY PERSON, CORPORATION OR FIRM FOR ANY PURPOSE WHATSOEVER WITHOUT THE WRITTEN PERMISSION OF TragenFlex.

REVISION	MM/DD/YY	DESCRIPTION	BY
A	06/17/24	PROPOSAL WAS #P244266 01A ISSUED FOR APPROVAL	P.B
PROJECT NAME:		MEAIRS ELEMENTARY SCHOOL, GARDEN GROVE, CA	MODEL: CS
TITLE: 3-COMPARTMENT SINK ELEVATIONS			
DRAWN BY:	P.B	DATE: 06/17/24	SCALE: 1"= 1'-0"
CHECKED BY:	SUSHANT	DATE:	S1
FOODSERVICE CONSULTANT:		SIZE: D	DRAWING NO. J244796
		SHEET: 02	REV: A

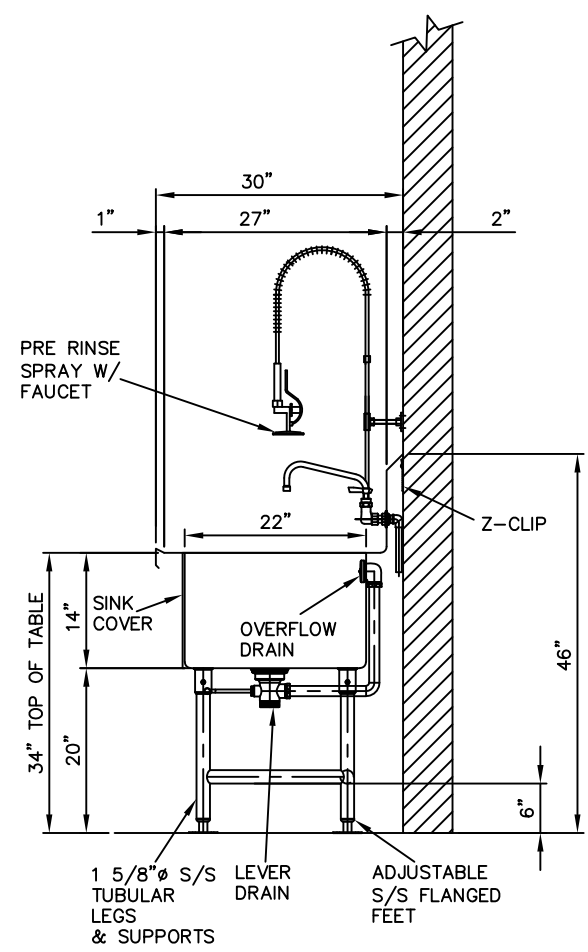
TragenFlex

5096 Forest Hill Drive, Mississauga, ON L5M 5A3
 Tel: (905) 363-0333 Fax: (905) 363-0334
 Toll Free: 1-855-363-0334
 www.tragenflex.com

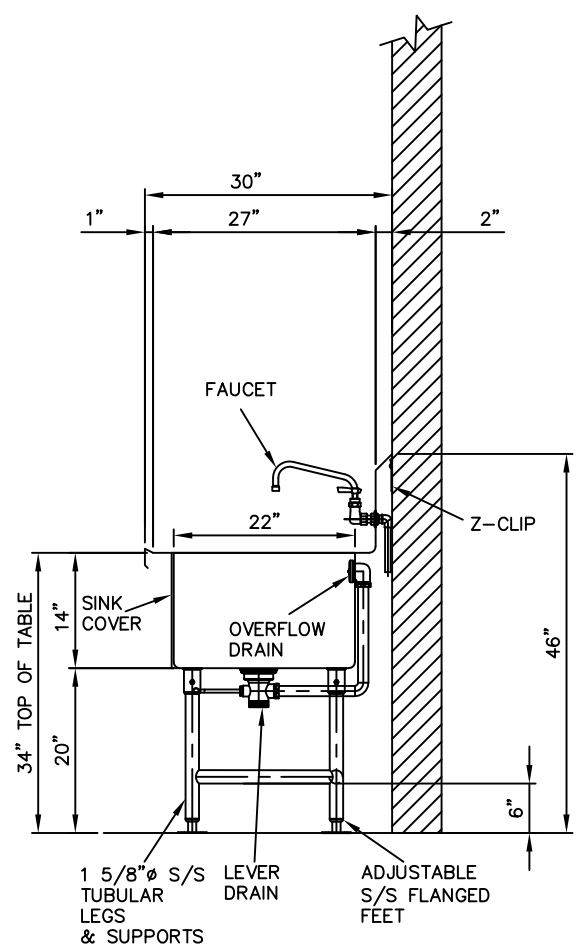
8 7 6 5 4 3 2 1

8 7 6 5 4 3 2 1

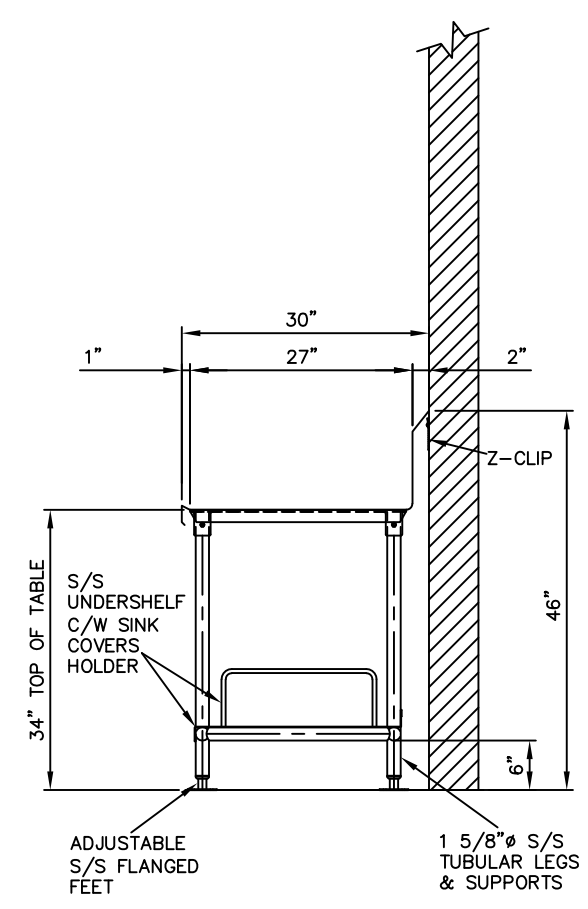
H
G
F
E
D
C
B
A



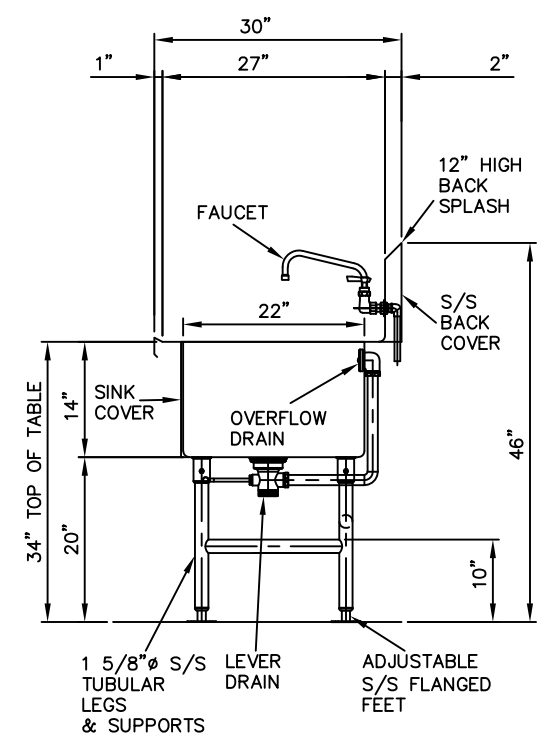
SECTION C
1/3



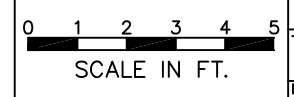
SECTION D
1/3



SECTION E
1/3



SECTION F
1/3



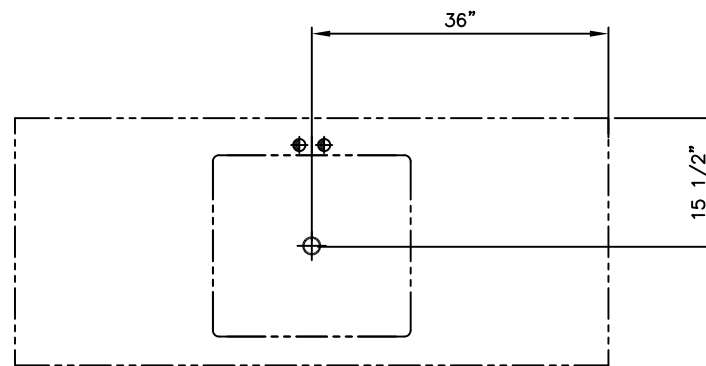
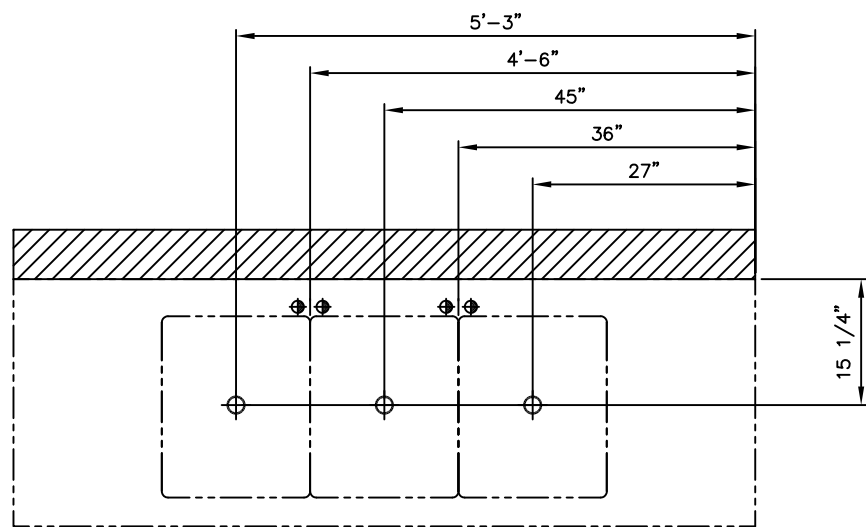
ALL IDEAS, DESIGNS, PLANS AND ARRANGEMENTS INDICATED BY THIS DRAWING ARE OWNED BY AND ARE THE PROPERTY OF TragenFlex AND WERE CREATED AND DEVELOPED FOR USE ON AND IN CONNECTION WITH THE SPECIFIED PROJECT. NONE OF SUCH IDEAS, DESIGNS, PLANS OR ARRANGEMENTS SHALL BE USED BY OR DISCLOSED TO ANY PERSON, CORPORATION OR FIRM FOR ANY PURPOSE WHATSOEVER WITHOUT THE WRITTEN PERMISSION OF TragenFlex.

REVISION	MM/DD/YY	DESCRIPTION	BY
A	06/17/24	PROPOSAL WAS #P244266 01A ISSUED FOR APPROVAL	P.B
PROJECT NAME:		MEAIRS ELEMENTARY SCHOOL, GARDEN GROVE, CA	MODEL: CS
TITLE: 3-COMPARTMENT SINK CROSS SECTIONS			
DRAWN BY:	P.B	DATE: 06/17/24	SCALE: 1"= 1'-0"
CHECKED BY:	SUSHANT	DATE:	S1
FOODSERVICE CONSULTANT:		SIZE: D	DRAWING NO. J244796
		SHEET: 03	REV: A

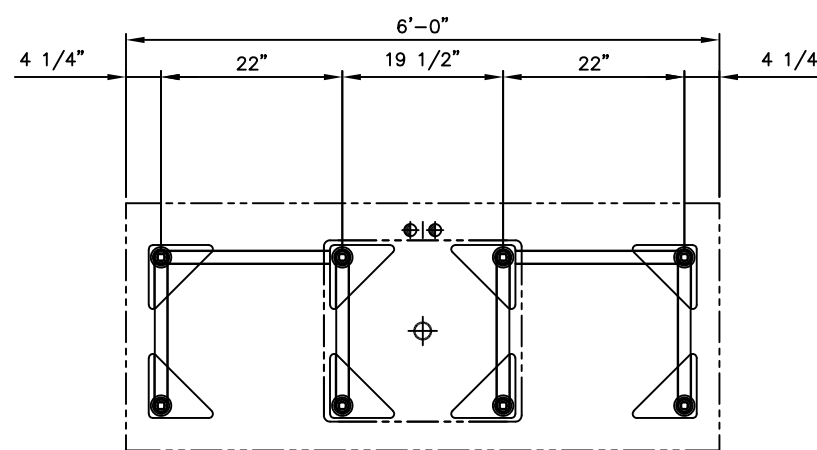
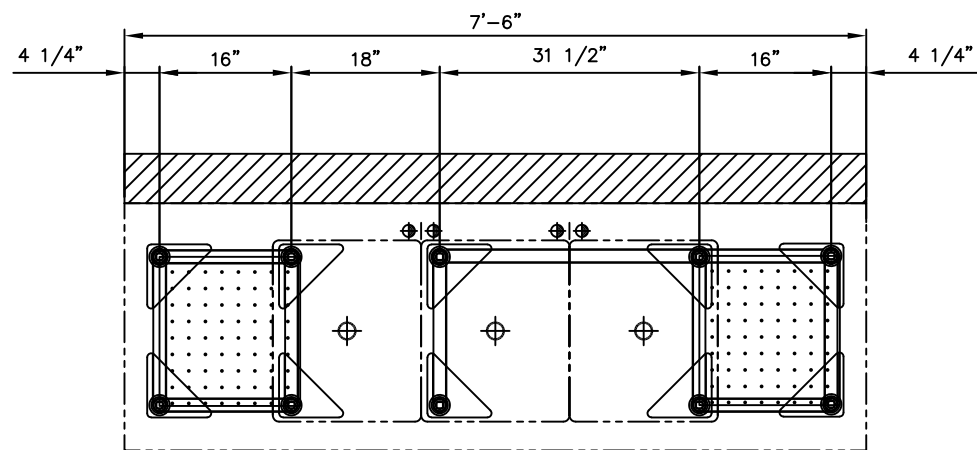
TragenFlex

5096 Forest Hill Drive, Mississauga, ON L5M 5A3
 Tel: (905) 363-0333 Fax: (905) 363-0334
 Toll Free: 1-855-363-0334
 www.tragenflex.com

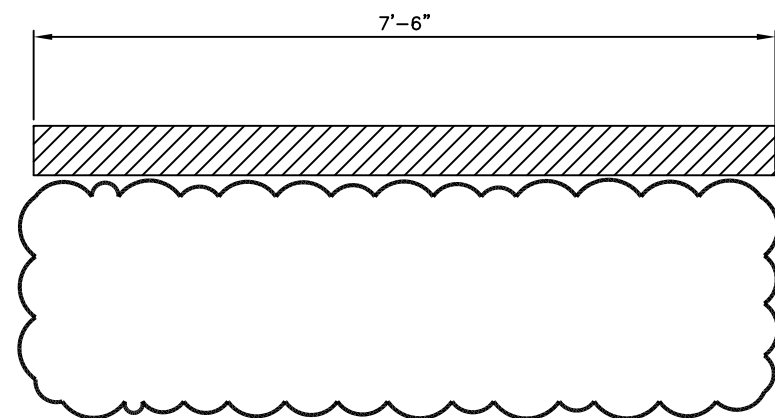
8 7 6 5 4 3 2 1



ROUGH-INS PLAN



UNDERSTRUCTURE PLAN



FLOOR PLAN

K.E.C. TO FIELD
VERIFY ALL DIMENSIONS
SHOWN ON THIS FLOOR PLAN

MAXIMUM FLOW RATES AT CITY PRESSURE:
1. EACH MANUAL PLATE RINSE - 1.9 GPM

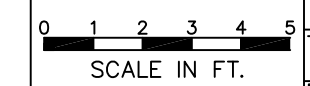
LEGEND FOR FINAL MECHANICAL CONNECTIONS

- ◆◆ 1/2"Ø HOT & COLD WATER SUPPLY ~6" A.F.F. (3 PLACES)
- ⊕ 1 1/2"Ø DRAIN ~12" A.F.F. (4 PLACES)

GENERAL NOTES:

1. TragenFlex EQUIPMENT ON THIS DRAWING SHOWS POINTS OF FINAL CONNECTIONS ONLY ALL FLOOR SINKS, DRAINS WATERLINES AND CONDUITS TO THESE CONNECTIONS BY PLUMBING CONTRACTOR.
2. FINAL MECHANICAL CONNECTIONS TO DRAINS AND WATER SUPPLIES BY PLUMBING CONTRACTOR.

NOTE:
UTILITY REQUIREMENTS SHOWN ON THIS DRAWING ARE FOR THE TragenFlex EQUIPMENT ONLY



ALL IDEAS, DESIGNS, PLANS AND ARRANGEMENTS INDICATED BY THIS DRAWING ARE OWNED BY AND ARE THE PROPERTY OF TragenFlex AND WERE CREATED AND DEVELOPED FOR USE ON AND IN CONNECTION WITH THE SPECIFIED PROJECT. NONE OF SUCH IDEAS, DESIGNS, PLANS OR ARRANGEMENTS SHALL BE USED BY OR DISCLOSED TO ANY PERSON, CORPORATION OR FIRM FOR ANY PURPOSE WHATSOEVER WITHOUT THE WRITTEN PERMISSION OF TragenFlex.

REVISION	A	06/17/24	PROPOSAL WAS #P244266 01A ISSUED FOR APPROVAL	P.B
REVISION		MM/DD/YY	DESCRIPTION	BY
PROJECT NAME:		MEAIRS ELEMENTARY SCHOOL		MODEL:
		GARDEN GROVE, CA		CS
TITLE: 3-COMPARTMENT SINK ROUGH-INS UNDERSTRUCTURE & FLOOR PLAN				
DRAWN BY:	P.B	DATE:	06/17/24	SCALE:
CHECKED BY:	SUSHANT	DATE:		1" = 1'-0"
FOODSERVICE CONSULTANT:		SIZE:	D	DRAWING NO. J244796
		SHEET:	04	REV. A

TragenFlex
5096 Forest Hill Drive, Mississauga, ON L5M 5A3
Tel: (905) 363-0333 Fax: (905) 363-0334
Toll Free: 1-855-363-0334
www.tragenflex.com