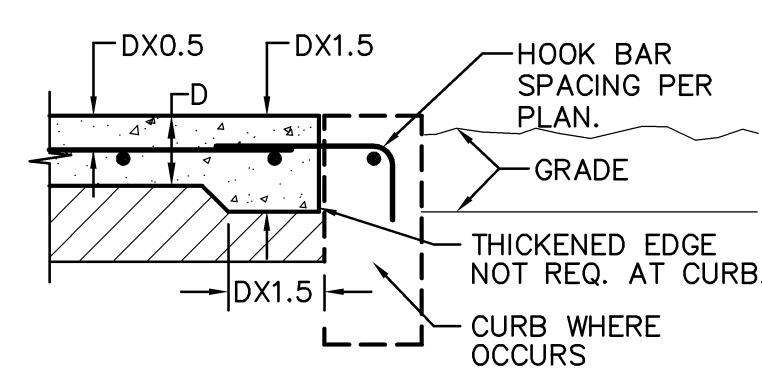
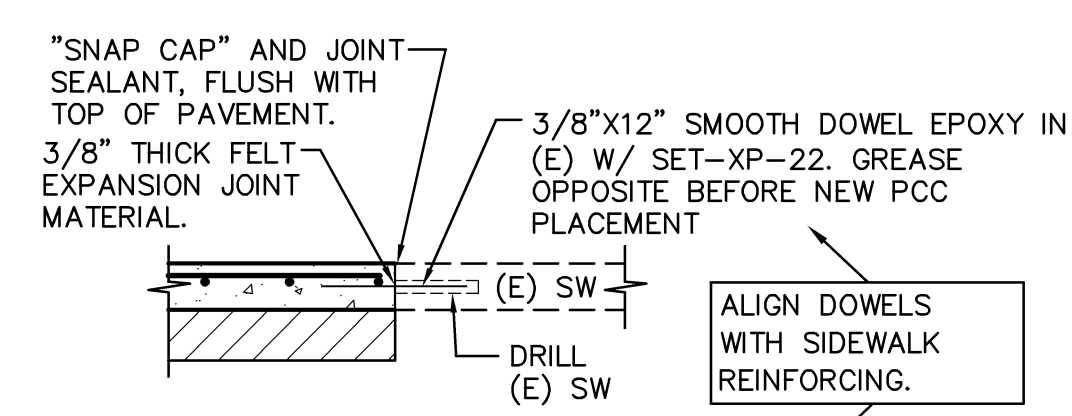


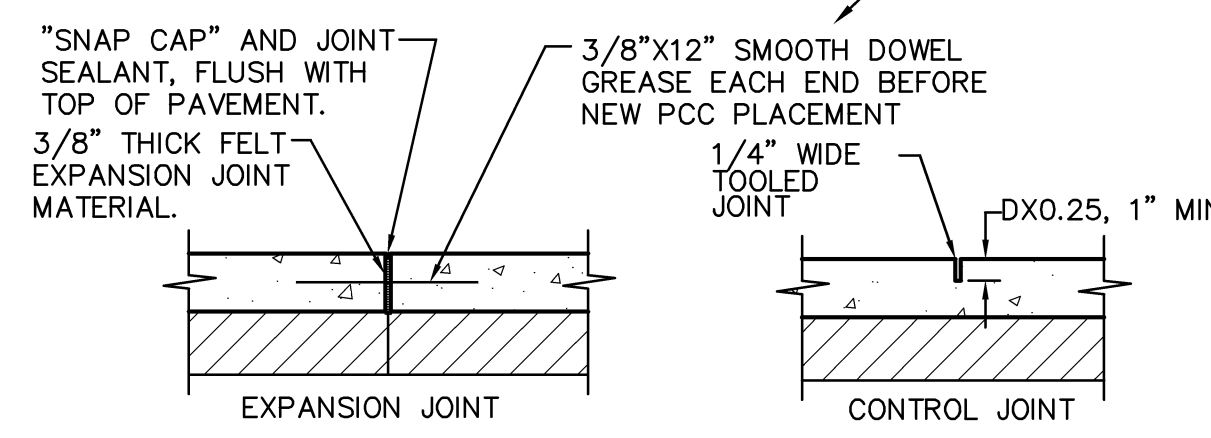
TYPICAL SECTION



TYPICAL THICKENED EDGE



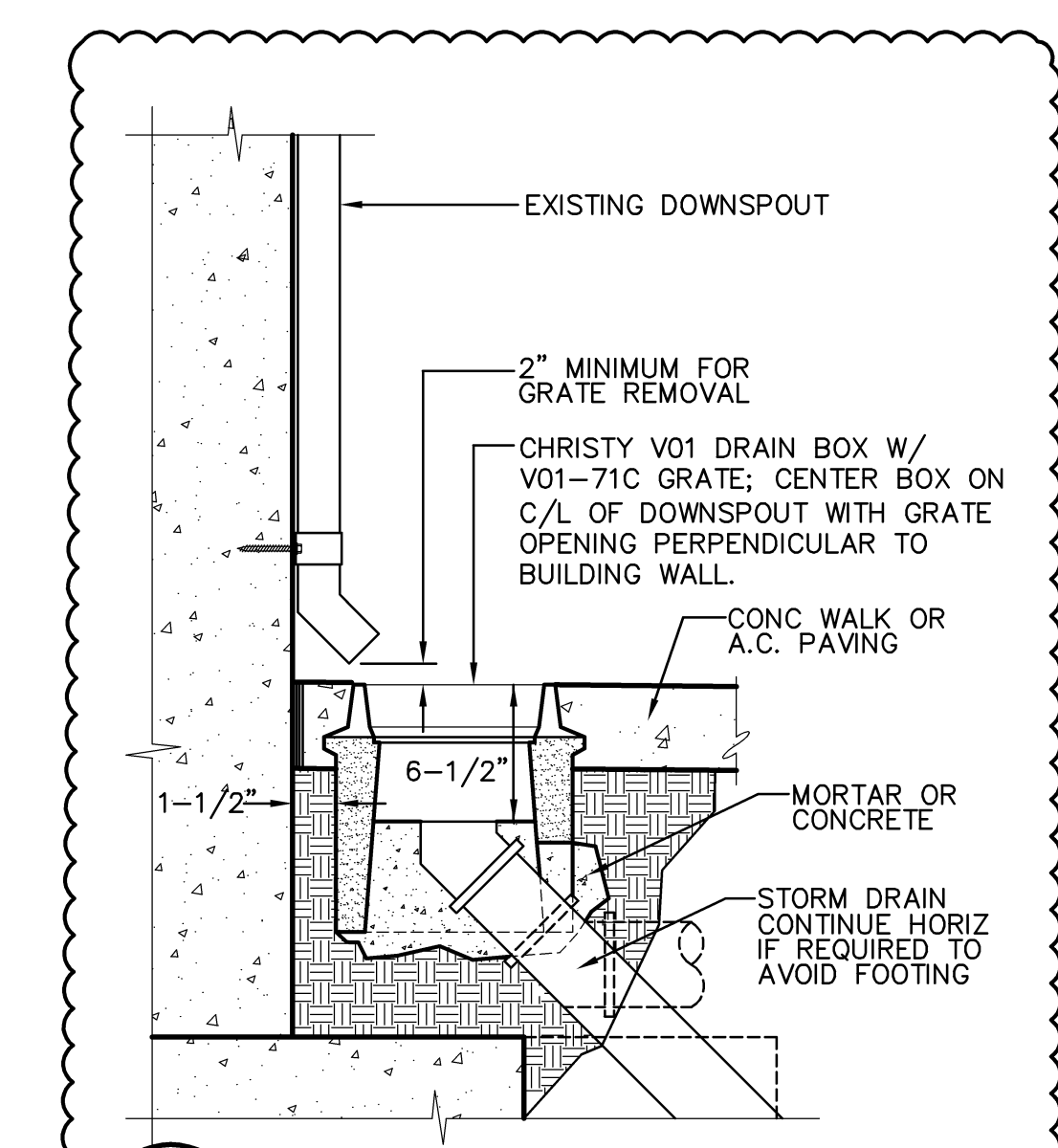
CONNECTION TO (E) CONCRETE



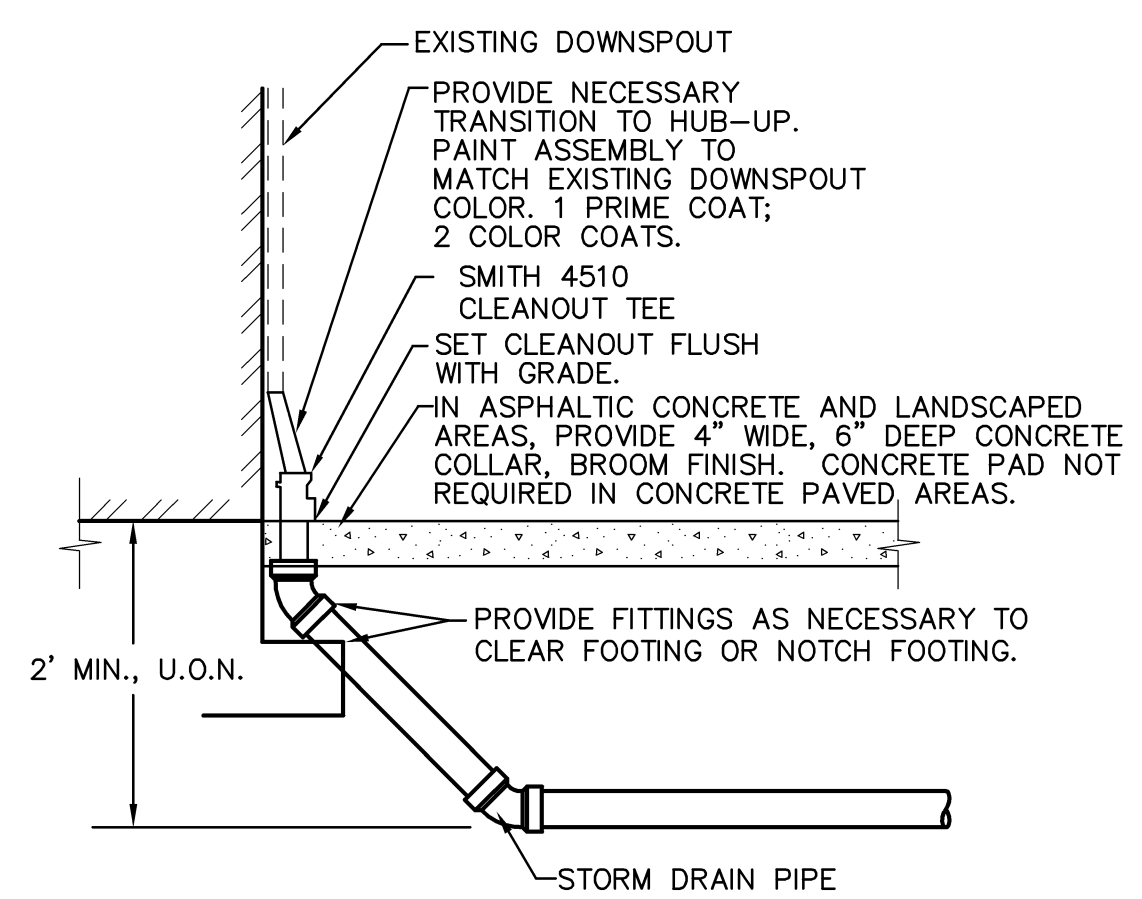
TYPICAL JOINTS

NOTE:  
PROVIDE FELT EXPANSION JOINTS AT 20 FEET O.C.  
PROVIDE CONTROL JOINTS AT 10 FEET O.C. U.O.N.

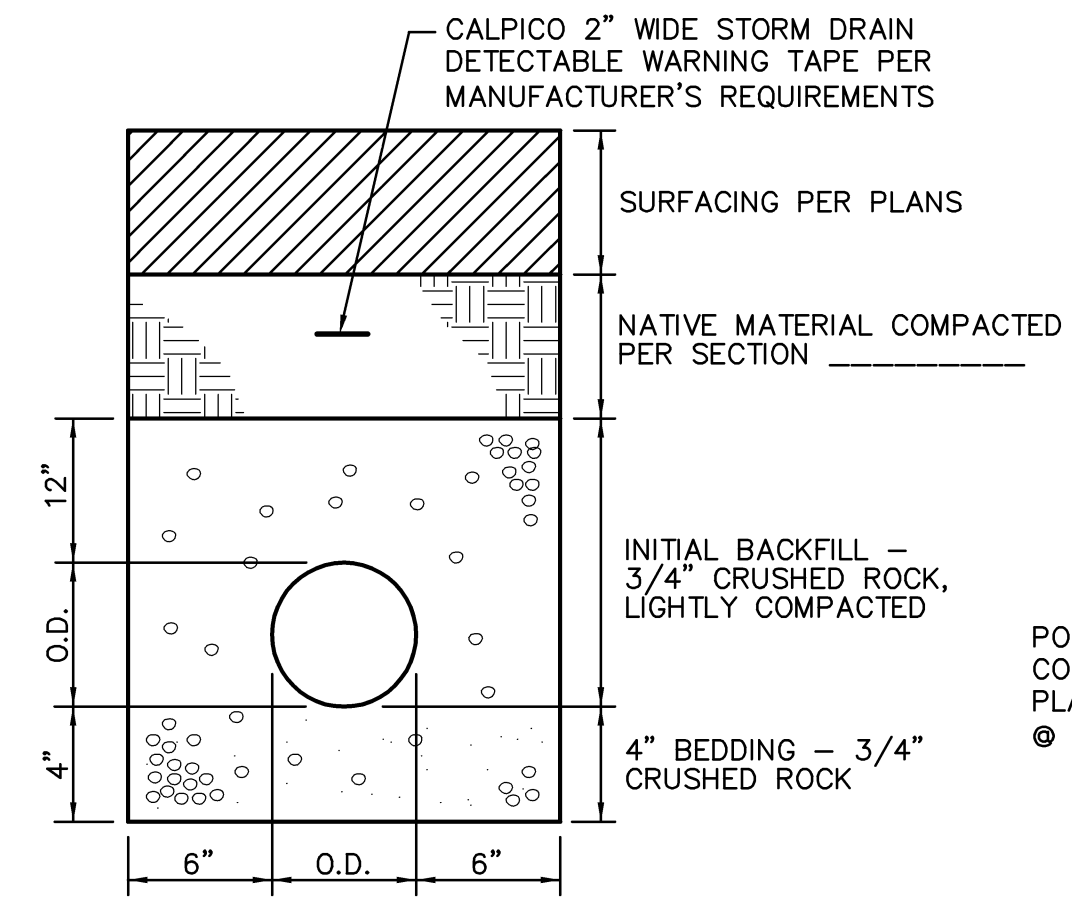
7 CONCRETE SIDEWALK  
C3.1 NO SCALE



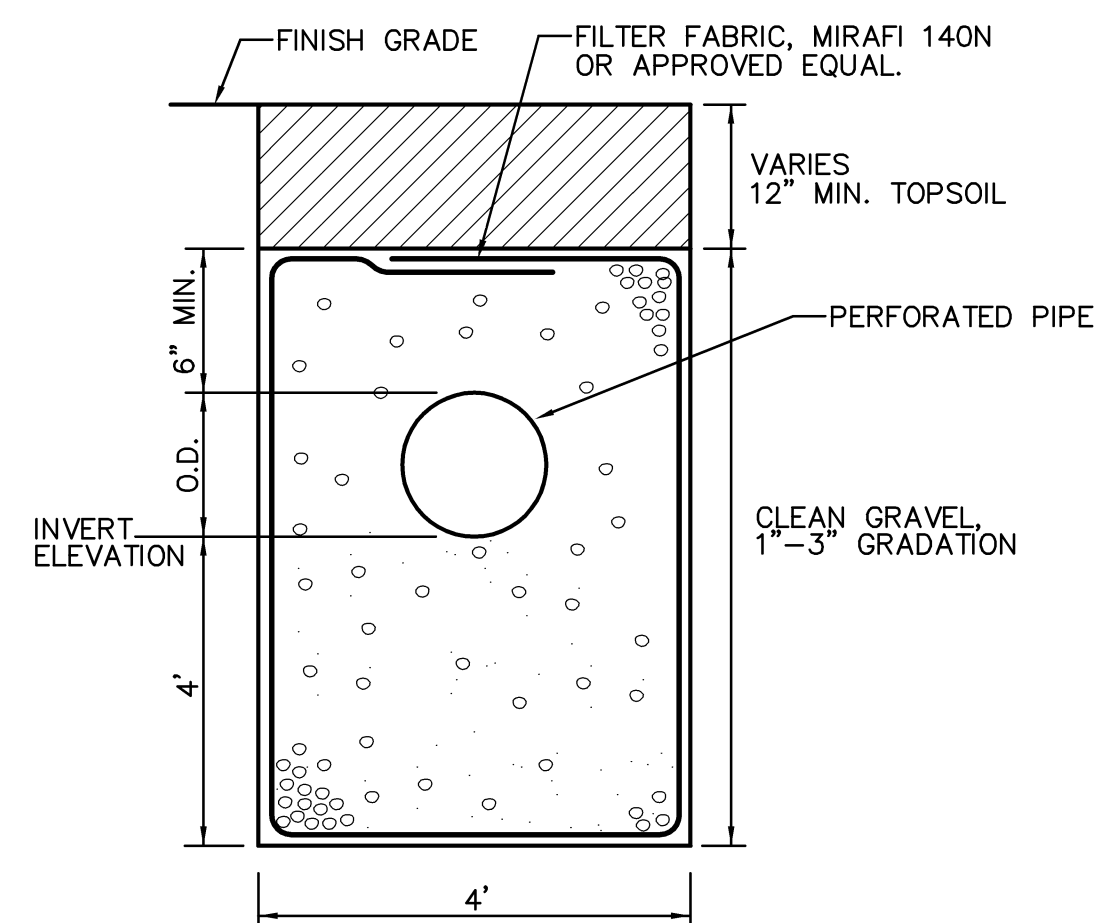
8 DOWNSPOUT AT COLUMN  
C3.1 NO SCALE



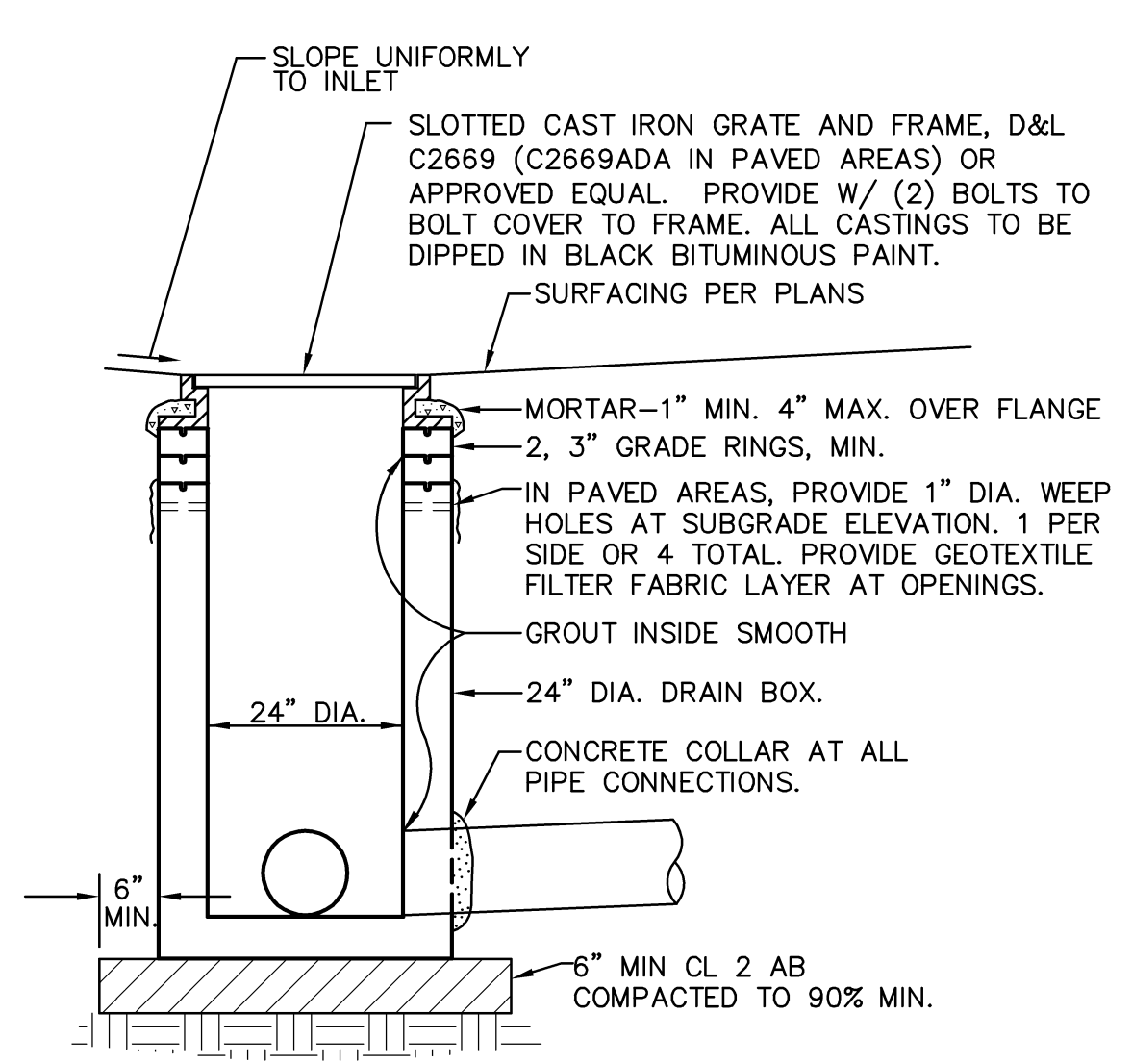
4 DOWNSPOUT CONNECTION  
C3.1 NO SCALE



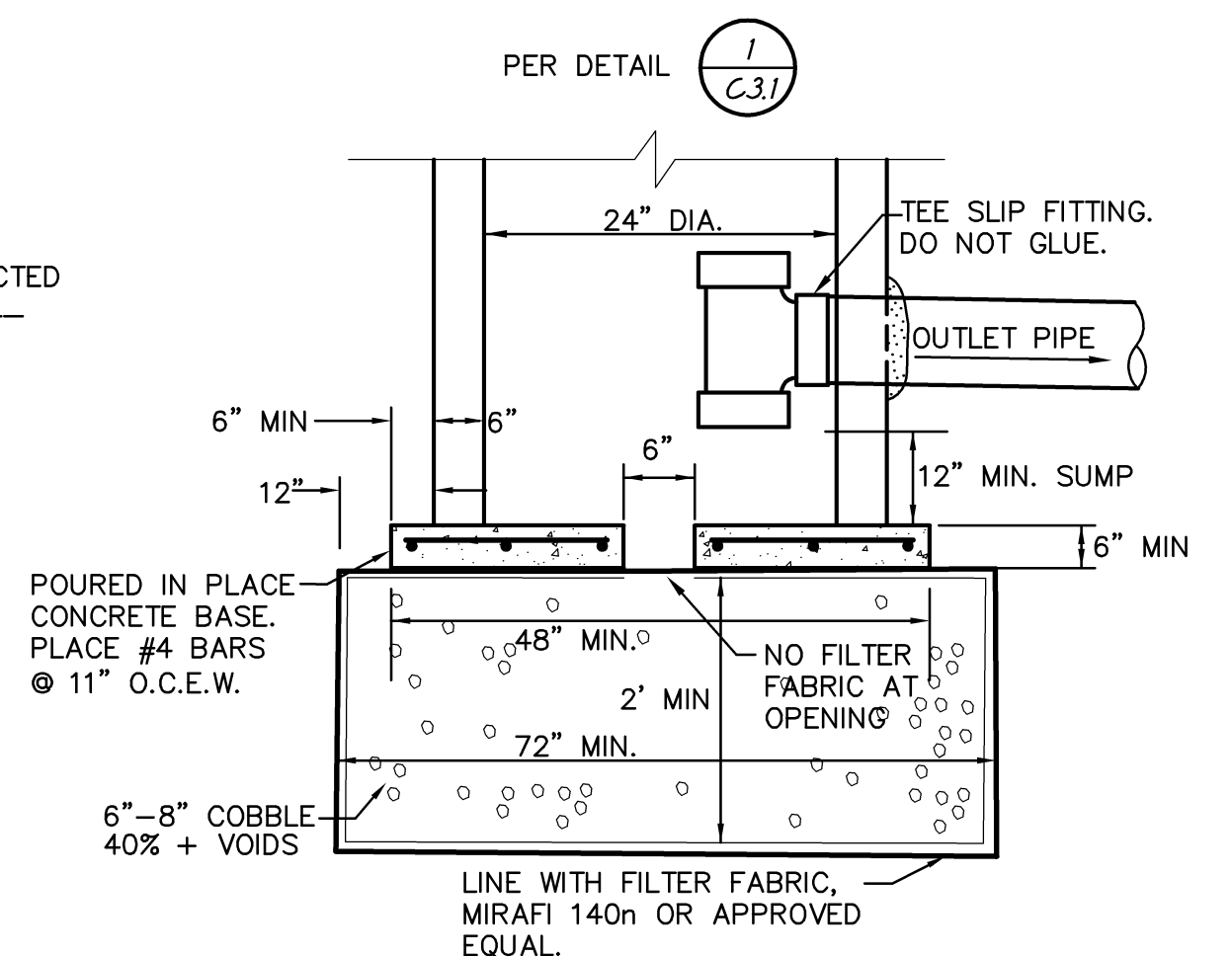
5 STORM DRAIN TRENCH  
C3.1 NO SCALE



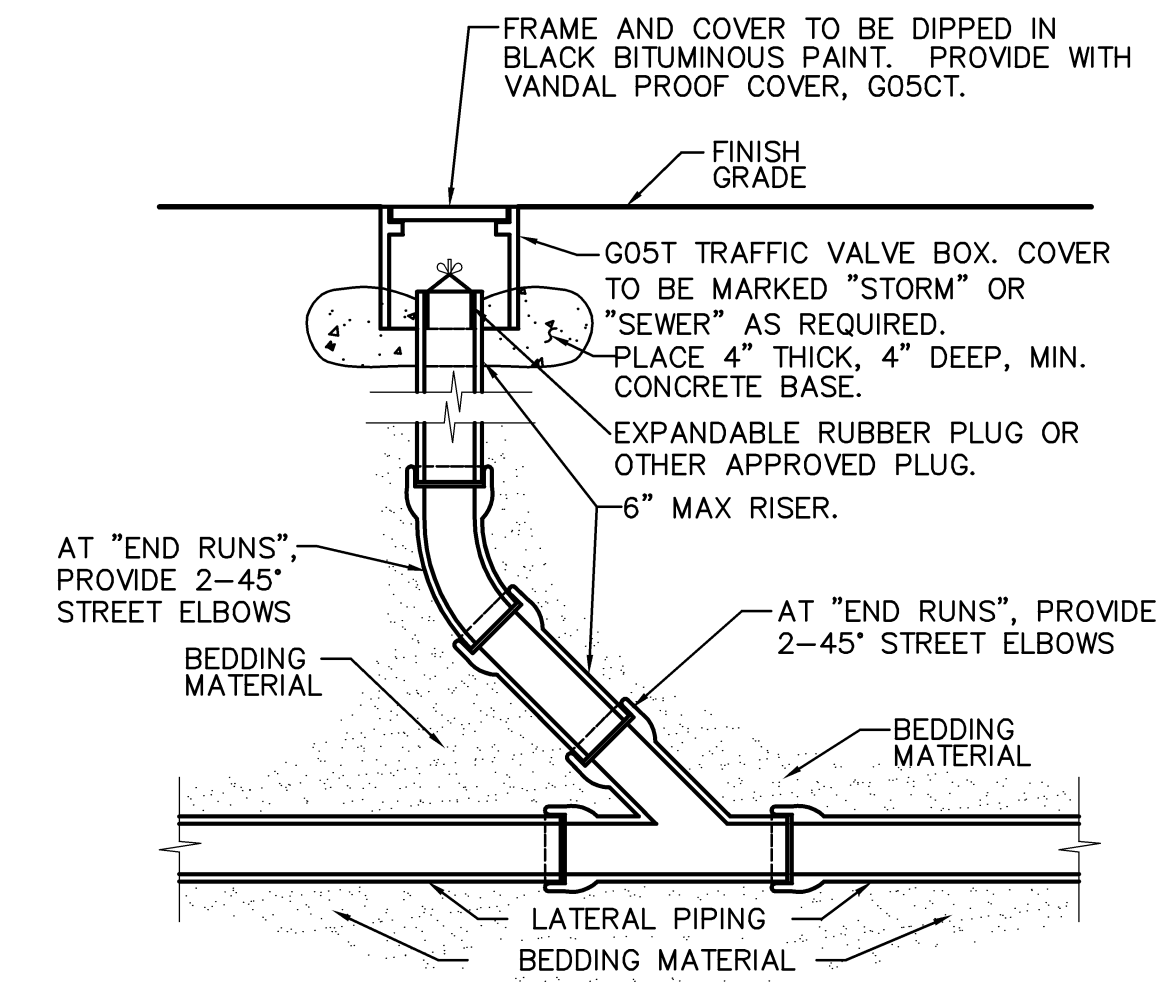
6 SUBDRAIN TRENCH DETAIL  
C3.1 NO SCALE



1 DROP INLET  
C3.1 NO SCALE



2 INLET SUMP  
C3.1 NO SCALE



3 CLEANOUT  
C3.1 NO SCALE

A.P.N. _____		BENCHMARK NO. _____		ELEV. _____	
HORIZONTAL SCALE:	AS NOTED	DATE:	DATE:	DATE:	DATE:
VERTICAL SCALE:	AS NOTED	DESIGNED:	GW	ML	GW
JOB NO.:	15-019C	DRAWN:	GW	CHECKED:	GW
ADDENDUM #1		DATE:	2/24/2015		
<p>DETAILS SHEET FOR HAMILTON ELEMENTARY SCHOOL 277 Capay Street Hamilton City, CA 95951 HAMILTON UNIFIED SCHOOL DISTRICT GLENN CO., CALIFORNIA</p>					
C3.1					