


DRAWN BY: MBM  
 REV1: 2/27/24 RF  
 REV2: 2.28.24 CRB  
 REV3: 8/28/24 RF  
 REV4:  
 SCALE 3/4" = 1'-0"  
 QUOTE # 54445-RO

#1 - THIS DRAWING IS THE LEGAL PROPERTY OF LTI, INC. IT MAY NOT BE COPIED OR REPRODUCED WITHOUT THE WRITTEN CONSENT OF LTI. IF USED WHOLLY OR PARTIALLY TO FABRICATE OR PRODUCE EQUIPMENT OTHER THAN THAT FURNISHED BY LTI, LTI RESERVES THE RIGHT TO CHARGE 4% OF THE COST OF THE EQUIPMENT AS AN ENGINEERING AND DESIGN FEE.  
 #2 - LTI, INC. IS NOT RESPONSIBLE FOR EQUIPMENT MEETING LOCAL CODES UNKNOWN TO LTI. IT IS THE RESPONSIBILITY OF THE FSEC TO NOTIFY LTI OF ANY LOCAL CODES THAT AFFECT CONSTRUCTION OR MATERIALS. FSEC IS REQUIRED TO REVIEW THIS DRAWING AND NOTIFY LTI OF ANY LOCAL CODES PRIOR TO FABRICATION OR WILL INCUR ADDITIONAL ASSOCIATED COSTS.

DEALER:

PROJECT: OPT5207 - RJ BASKETT MS

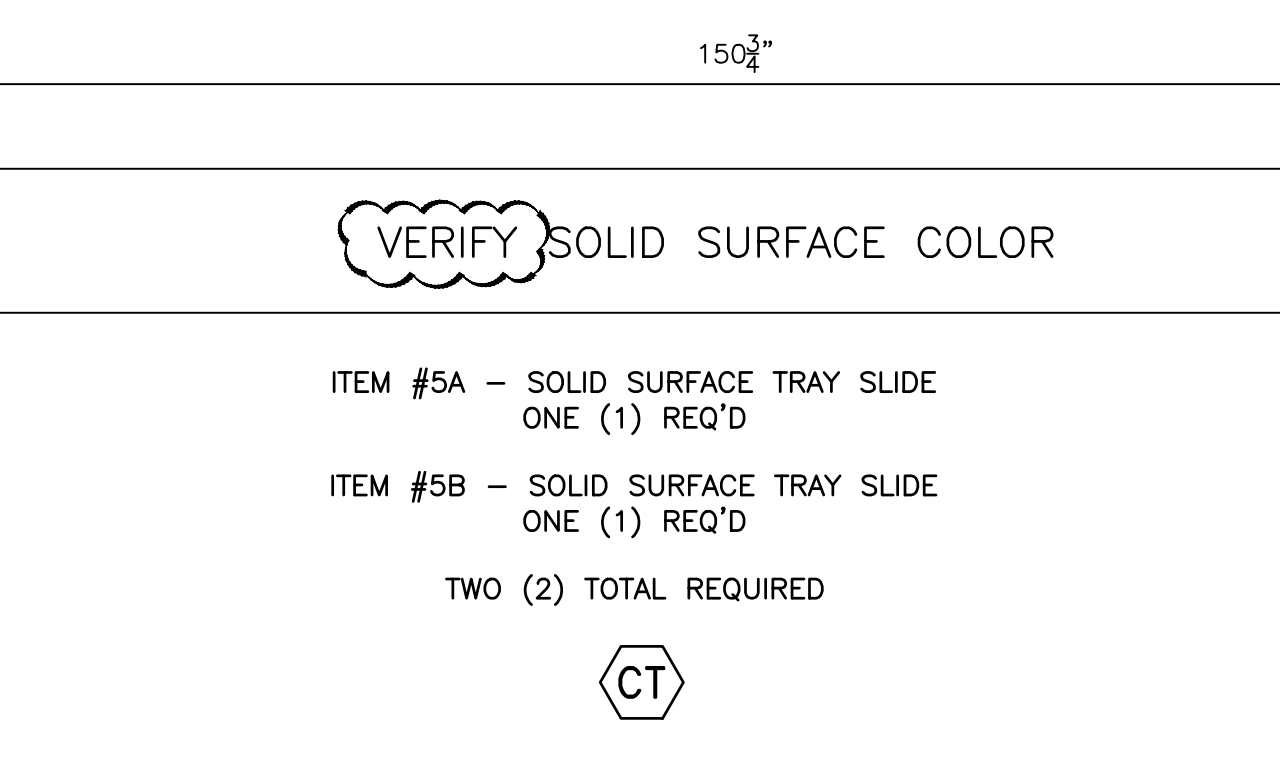
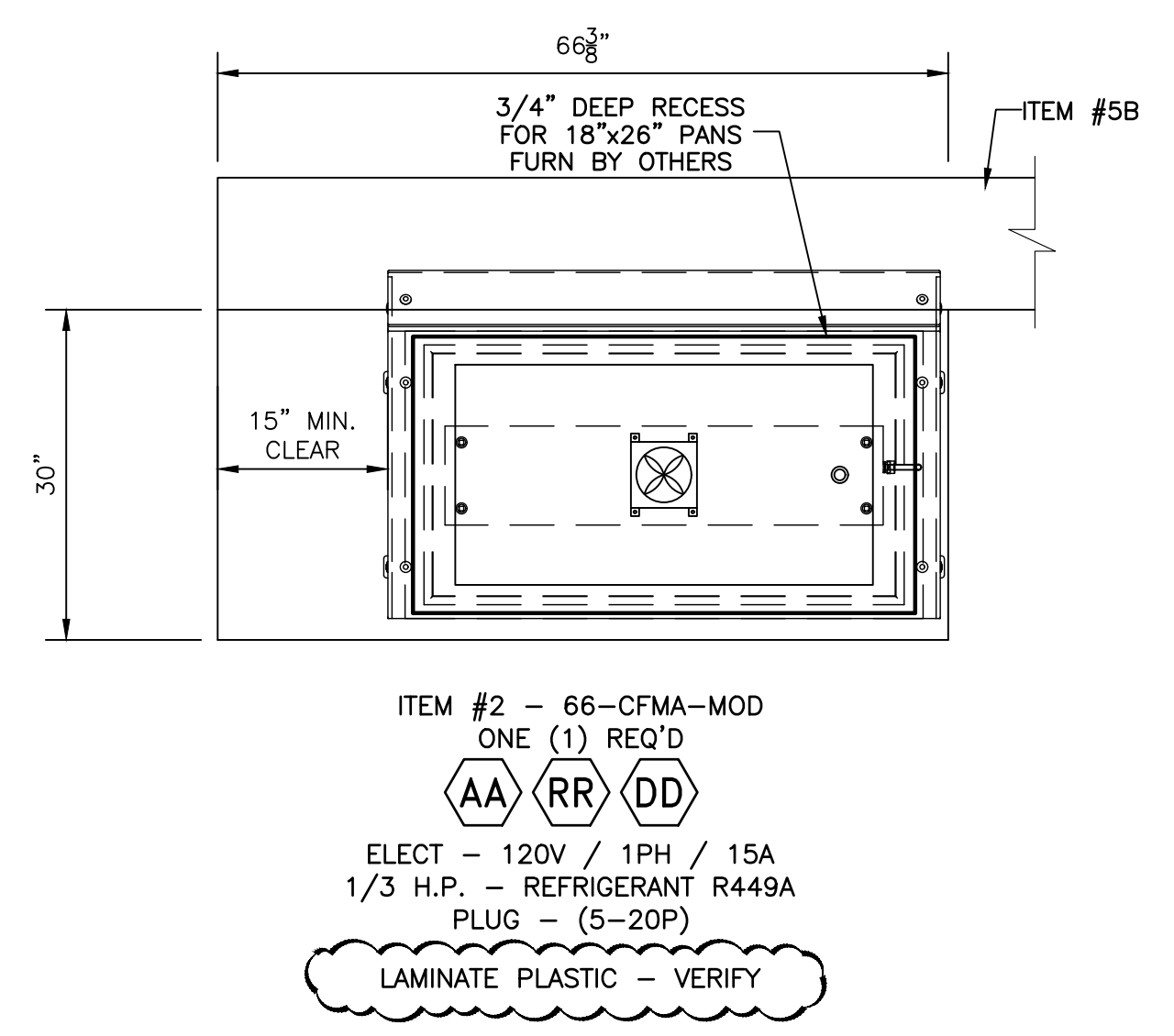
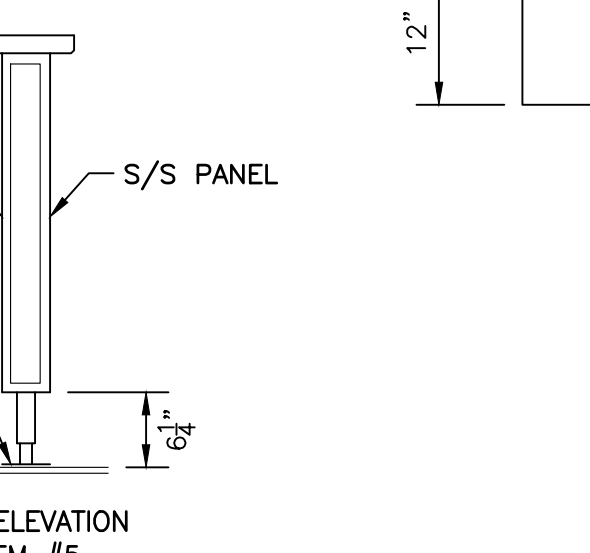
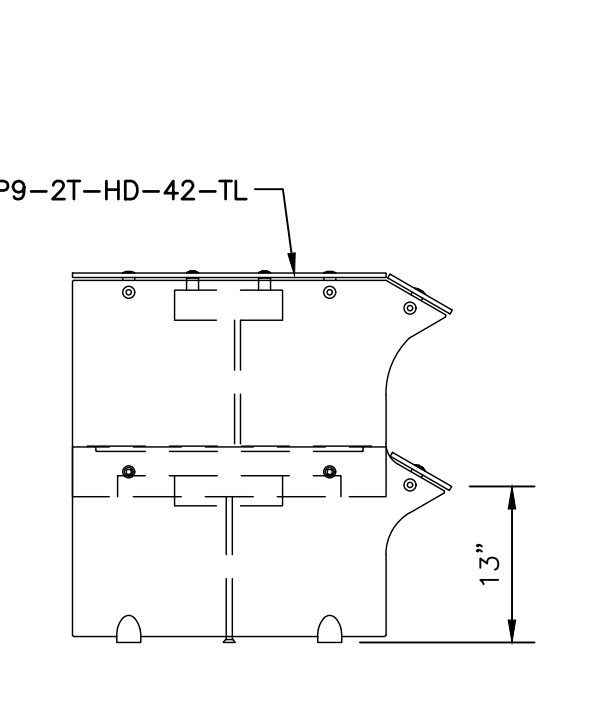
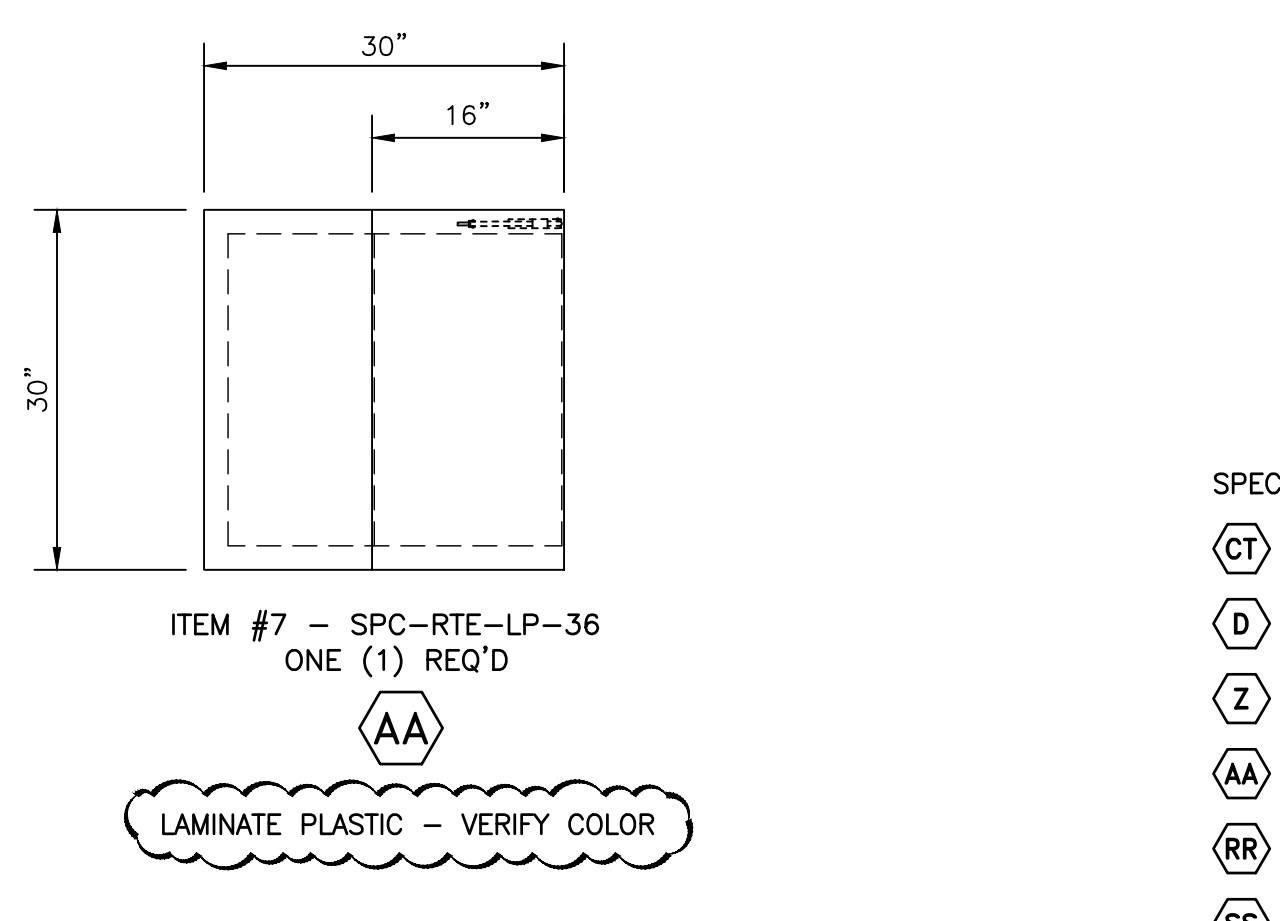
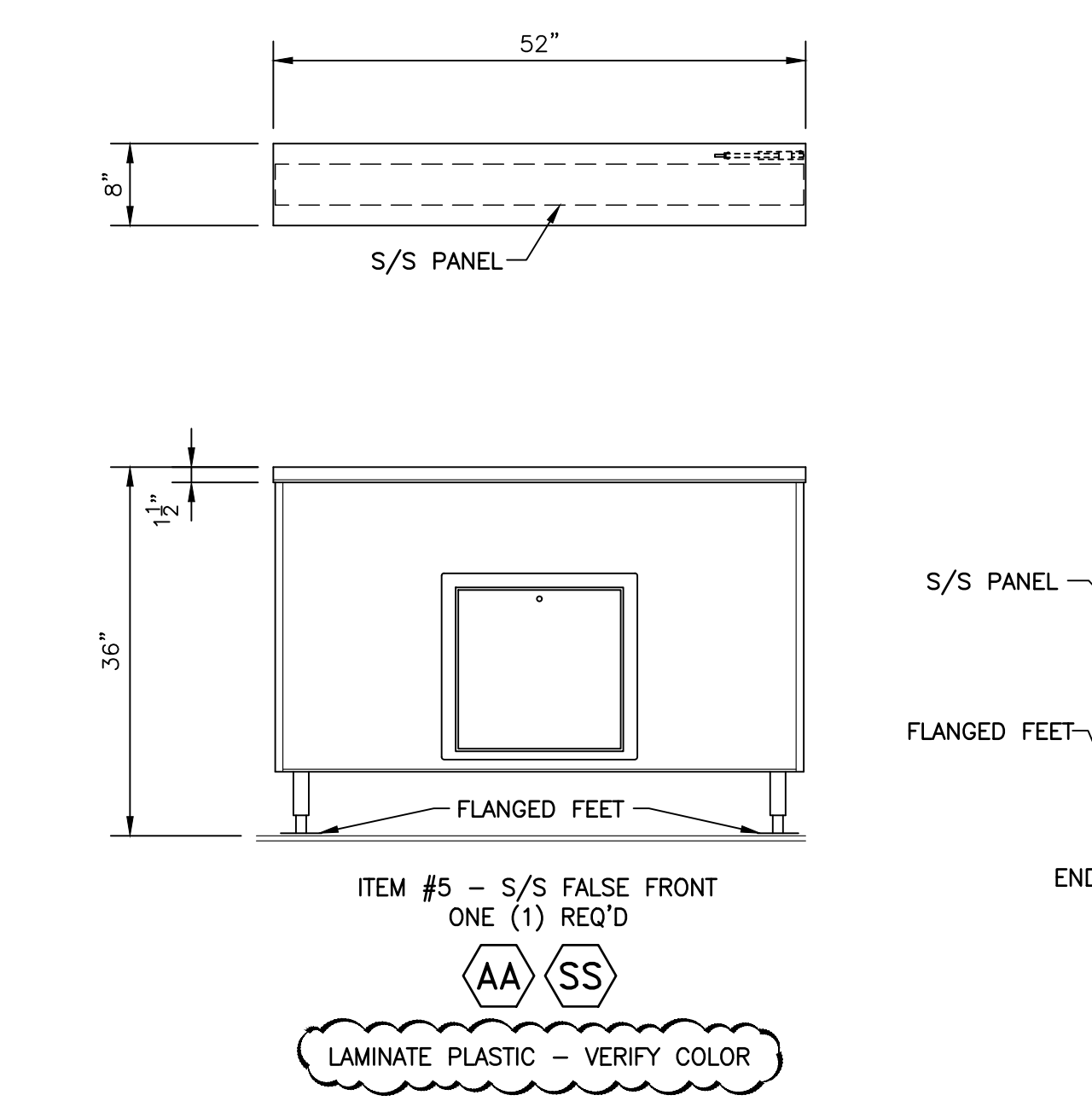
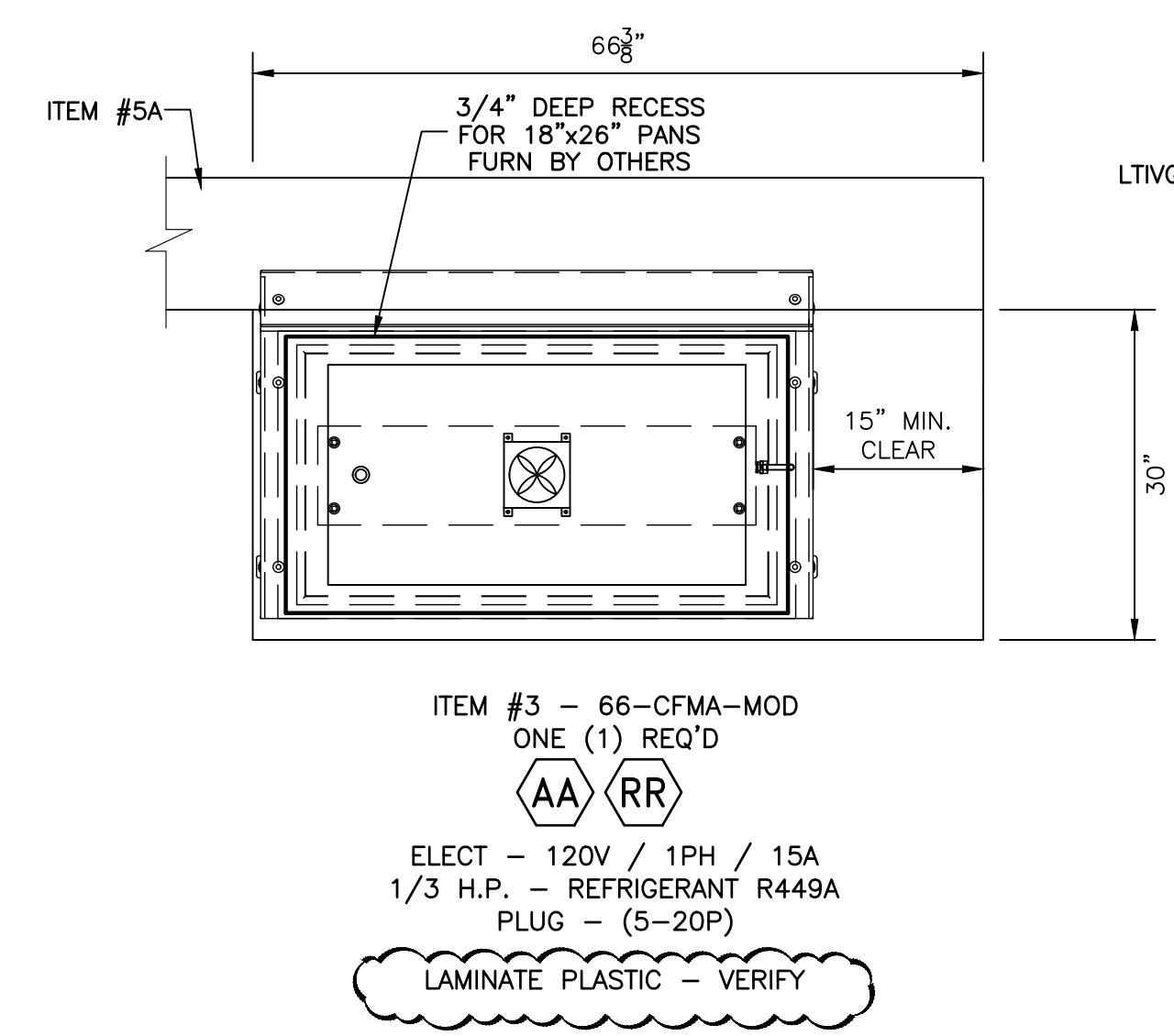
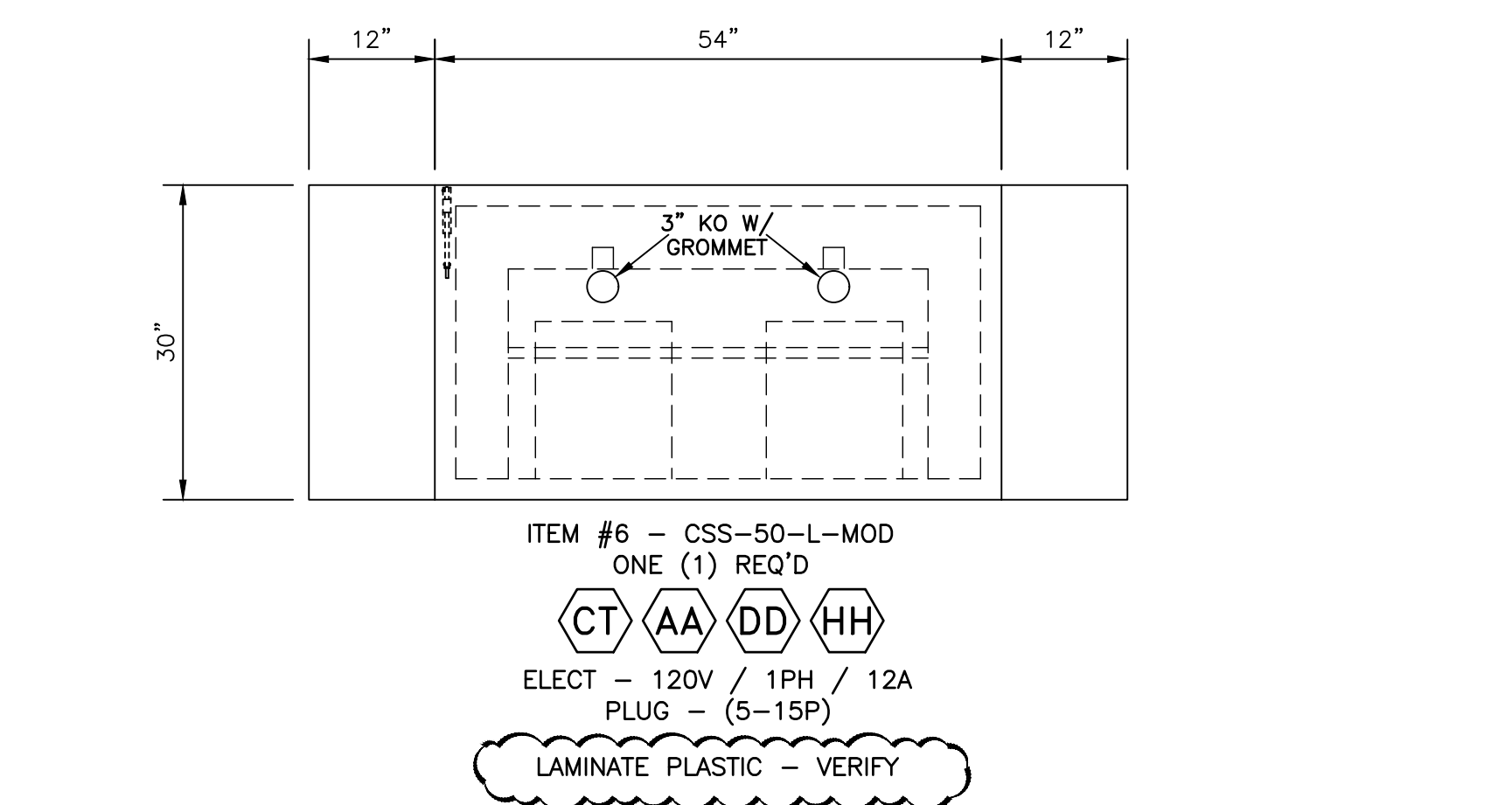
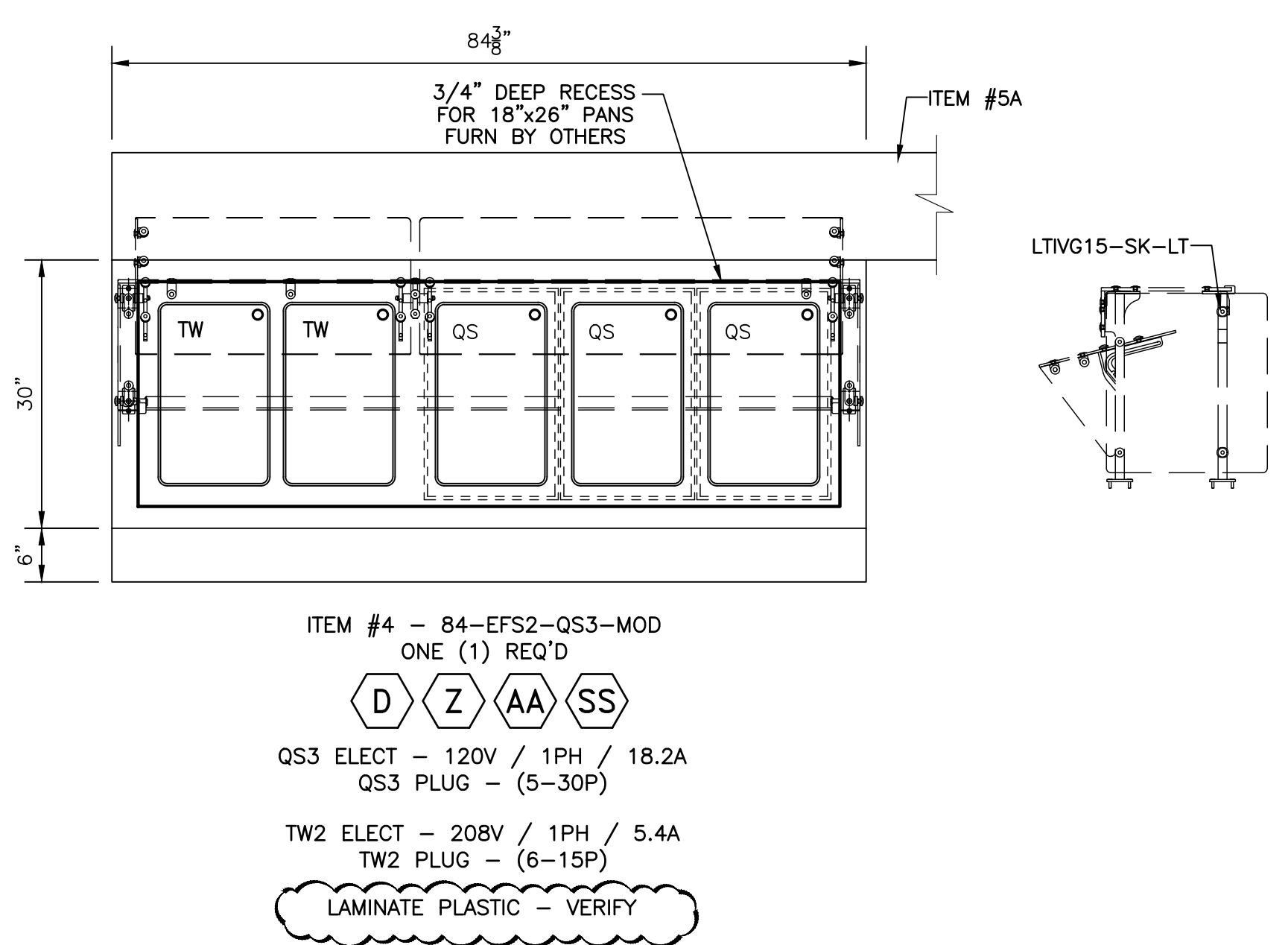
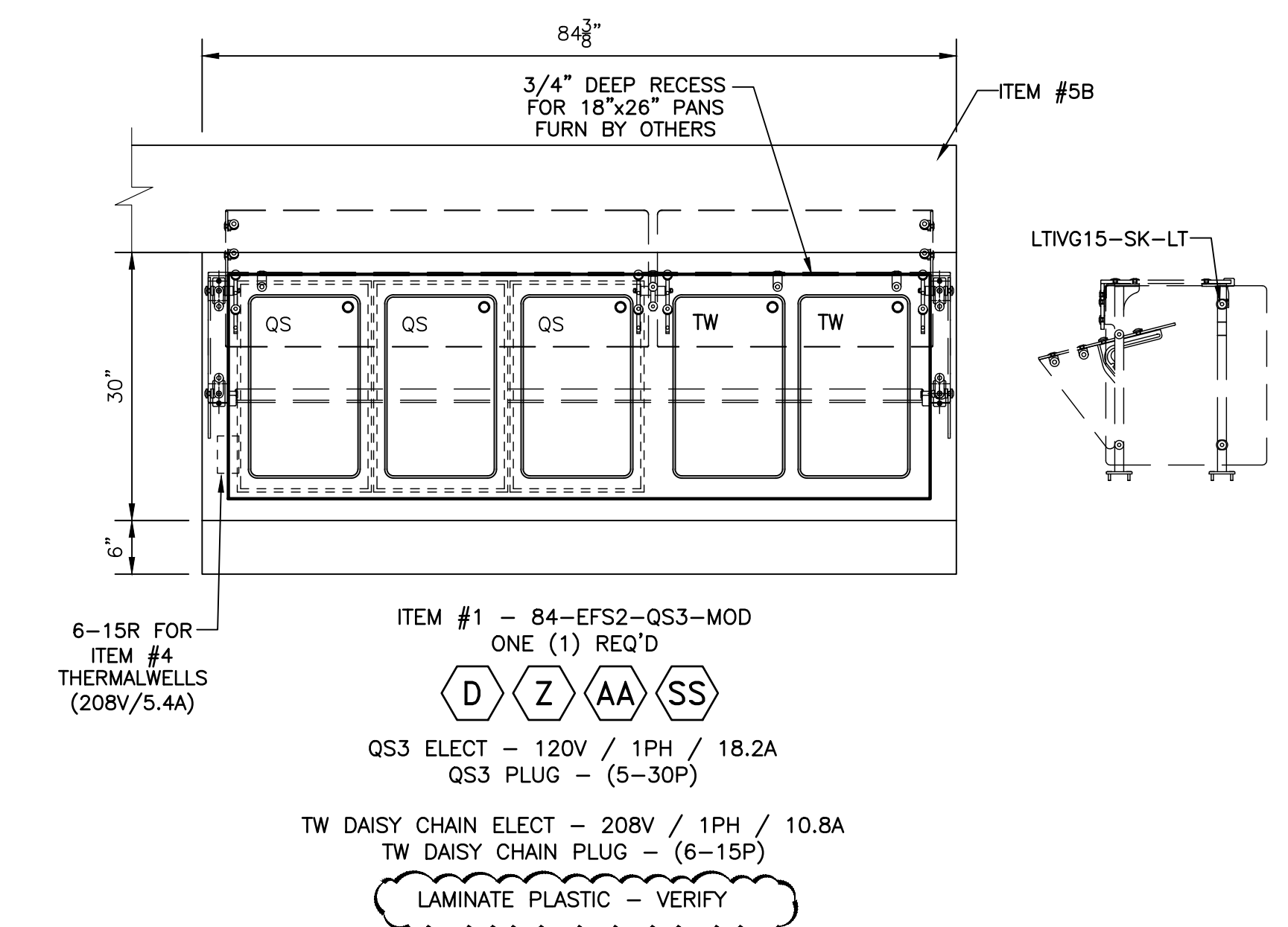
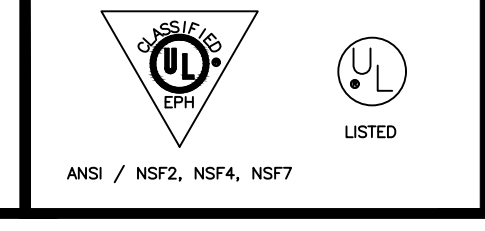
C.O. #	1 CHANGES:	2 CHANGES:	3 CHANGES:
C.O. #1			
C.O. #2			
C.O. #3			



**Changing how food is served.**  
 lowtempind.com

LTI  
 1947 Bill Casey Parkway  
 Jonesboro, GA 30236  
 tel 770.478.8803  
 fax 770.471.3715

ORDER #  
 DWG #  
 DATE:  
 SHEET # K1 OF 2



- SPECLINE OPTIONS**
- (CT) SOLID SURFACE TRAY SLIDE - VERIFY MFG. & COLOR W/ DROP EDGE ON ENDS & SIDES. MOUNT ON S/S FOLD-DOWN BRACKETS.
  - (D) CUTTING BOARD - 16 GA. S/S W/ EDGES TURNED DOWN, WELDED & POLISHED. MOUNT ON S/S FOLD-DOWN BRACKETS.
  - (Z) DRAINS - EACH HOT FOOD WELL SHALL BE PLUMBED TO COMMON MANIFOLD AND EXTENDED TO A SHUT OFF VALVE BELOW THE BODY.
  - (AA) LINE-UP LOCKS - BARREL BOLT & SLOT DESIGN W/ CAM LOCKING ACTION. LOCKS TO BE MOUNTED ON OPPOSING CORNERS FOR MAXIMUM VERSATILITY.
  - (RR) LED LIGHT STRIPS - 3.3 WATTS PER FOOT - FURN WITH 120-240/12VDC POWER SUPPLY. WIRED TO POWER SWITCH.
  - (SS) LEGS - 6" ROUND, S/S COUNTER TYPE W/ ADJ. BULLET FEET IN LIEU OF CASTERS.
  - (DD) FLUSH MOUNT OUTLET - ELECTRICAL REQUIREMENTS AS PER SPECIFICATIONS., PREWIRED TO FUSE OR SURGE PROTECTOR AS SPECIFIED. MIN. 72" GROUND SUPPLY CORD AS REQ'D.

**SPECLINE CONSTRUCTION**

TOP - 14 GA. S/S WITH SQ. TURNDOWN ON ALL SIDES W/ CORNERS WELDED & POLISHED TO A #4 SATIN FINISH

BODY - 18 GA. GALN. WRAP AROUND TYPE CONSTRUCTION W/ 18 GA. GALN. BOTTOM - ALL SIDES TO BE COVERED W/ STANDARD GRADE LAMINATE PLASTIC PANELS - COLOR TO BE SELECTED BY ARCHITECT - INTERIOR TO BE REINFORCED W/ 11 GA. GALV. AS TO SUPPORT SHELVING - FURN W/ 1" S/S VERTICAL TRIM AND 1/4" ALUM. MOP GUARD ALONG BOTTOM EDGES. FRONT AND REAR LAMINATE TO BE SUPPORTED ON 1/8" LUAN PLYWOOD.

STANDOFF PANEL - 16 GA. S/S W/ LP OR VINYL GRAPHICS. 1" STAND OFF BUSHING.

BODY SHELVING - 18 GA. S/S INSERT W/ COVED CORNERS & REMOVABLE TOP FOR ACCESS. FURN INTERMEDIATE ADJUSTABLE SHELF MOUNTED ON PILASTER STRIPS WHERE REQUIRED.

THERMALWELL HOT FOOD UNITS - 12" x 20" DIE-STAMPED OPN'GS FOR DRY-MOIST ELECTRIC HEAT - U.L. RECOGNIZED WELLS W/ (563 WATT @208)(751 WATTS @120/240V) HEAT SOURCE & INDIVIDUAL SOLID STATE DIGITAL CONTROLS, PRE-WIRED TO CIRCUIT BREAKER - EACH HOT FOOD WELL TO BE PRE-PLUMBED THRU A COMMON MANIFOLD TO A 1/4 TURN DRAIN VALVE BELOW THE BODY.

TEMPSTAIR COLD PAN - 9" DEEP 18 GA. S/S PAN W/ REFRIGERATION COILS BONDED TO UNDERSIDE IN MASTIC - FULLY INSULATED W/ URETHANE FOAM - FIT W/ AXIAL FANS AS SHOWN - FURN W/ 1" OPEN DRAIN EXTENDED TO SHUT-OFF VALVE BELOW.

CONDENSING UNIT - AIR-COOLED, HERMETICALLY SEALED - FACTORY TESTED & FULLY CONNECTED AS REQ'D - MADE READY TO PLUG IN - MOUNTED ON 18 GA. GALV. CHANNEL BASE - 18 GA. S/S REMOVABLE LOUVERED ACCESS PANELS - UNITS SIZED AS REQ'D. WITH ALL NECESSARY VALVES AND CONTROLS FOR OPERATION.

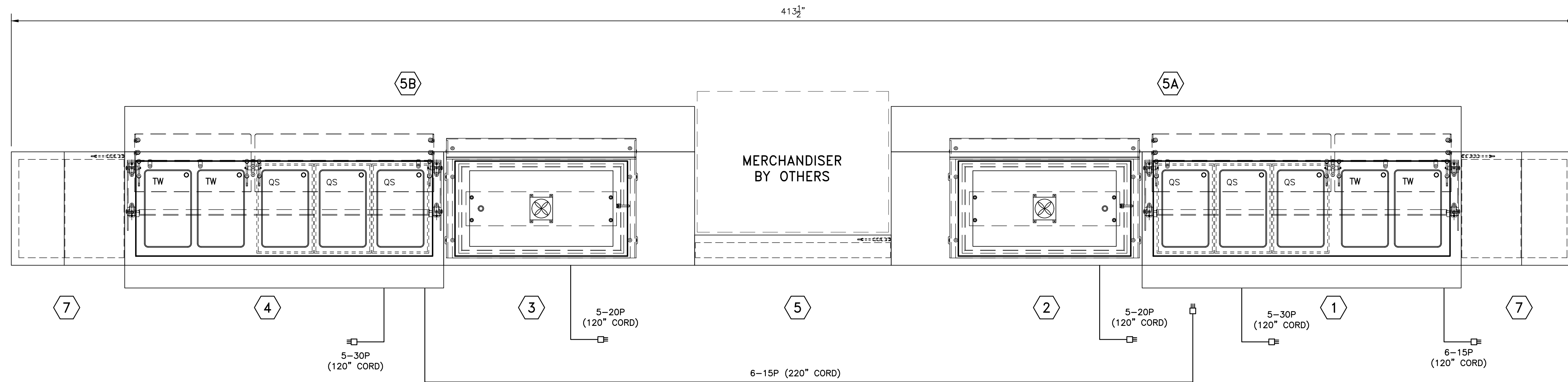
QuickSwitch - 18 GA. S/S DIE-STAMPED PAN W/ 3/4" DIA. OPEN DRAIN & FULLY INSULATED. REFRIGERATION COILS BONDED TO UNDERSIDE IN MASTIC - REFRIGERATION SYSTEM TO BE A HERMETICALLY SEALED COMPRESSOR OPERATING ON R449A (HFC) REFRIGERANT DRY-MOIST ELECTRIC HEAT W/ (500 WATT @208)(661 WATTS @120/240V) HEAT SOURCE & INDIVIDUAL SOLID STATE DIGITAL CONTROLS - ALL SWITCHES AND CONTROLS ARE FULLY ACCESSIBLE.

NOT FOR APPROVAL  
**PRELIMINARY**  
 NOT FOR APPROVAL

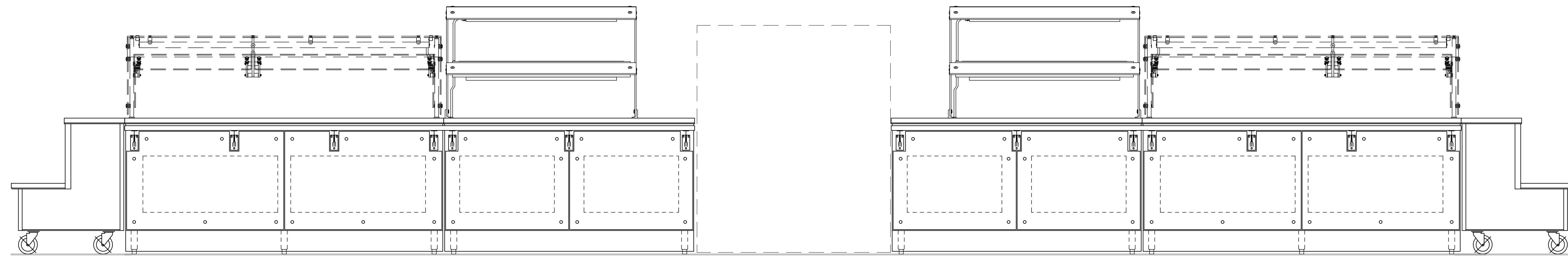
DRAWN BY: MBM  
 REV1: 2/27/24 RF  
 REV2: 2.28.24 CRB  
 REV3: 8/28/24 RF  
 REV4:  
 SCALE 3/4" = 1'-0"  
 QUOTE # 54445-RO

#1 - THIS DRAWING IS THE LEGAL PROPERTY OF LTI, INC. IT MAY NOT BE COPIED OR REPRODUCED WITHOUT THE WRITTEN CONSENT OF LTI. IF USED WHOLLY OR PARTIALLY TO FABRICATE OR PRODUCE EQUIPMENT OTHER THAN THAT FURNISHED BY LTI, LTI RESERVES THE RIGHT TO CHARGE 4% OF THE COST OF THE EQUIPMENT AS AN ENGINEERING AND DESIGN FEE

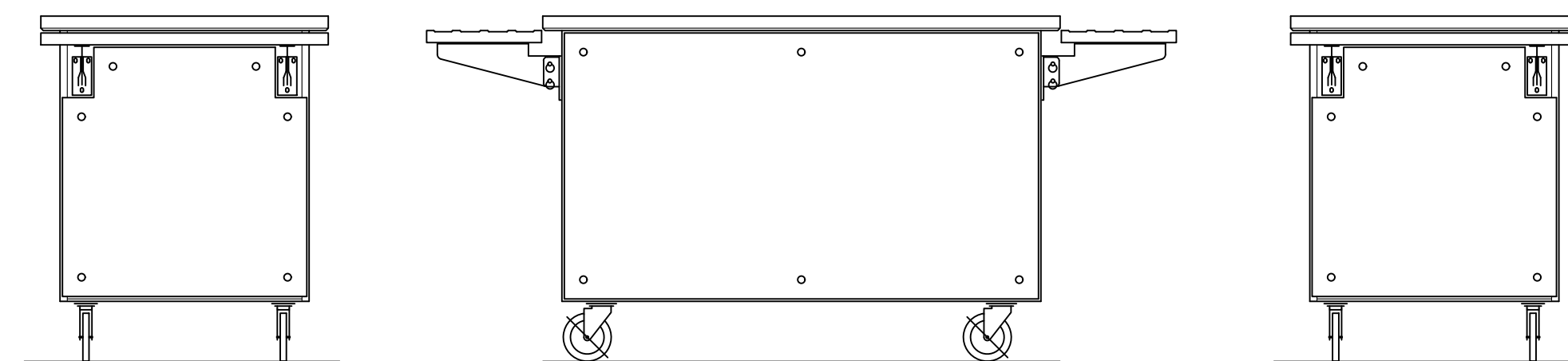
#2 - LTI, INC. IS NOT RESPONSIBLE FOR EQUIPMENT MEETING LOCAL CODES UNKNOWN TO LTI. IT IS THE RESPONSIBILITY OF THE FSEC TO NOTIFY LTI OF ANY LOCAL CODES THAT AFFECT CONSTRUCTION OR MATERIALS. FSEC IS REQUIRED TO REVIEW THIS DRAWING AND NOTIFY LTI OF ANY LOCAL CODES PRIOR TO FABRICATION OR WILL INCUR ADDITIONAL ASSOCIATED COSTS.



PLAN VIEW



FRONT ELEVATIONS



FRONT ELEVATIONS

DEALER:

PROJECT: OPT5207 - RJ BASKETT MS  
 C.O. #1 1 CHANGES:  
 C.O. #2 2 CHANGES:  
 C.O. #3 3 CHANGES:



Changing how food is served.

lowtempind.com

LTI  
 1947 Bill Casey Parkway  
 Jonesboro, GA 30236  
 tel 770.478.8803  
 fax 770.471.3715

ORDER #

DWG#

DATE:

SHEET # K2 OF 2

NOT FOR APPROVAL  
**PRELIMINARY**  
 NOT FOR APPROVAL



ANSI / NSF2, NSF4, NSF7