



64th Annual High School Design Challenge -2018

Participation in the Design Challenge keeps curriculum current, encourages student creativity, provides an industry based activity, and reinforces your Drafting and Art programs. The educational benefit of the Competition is to give students a problem that requires the practical application of the Design Process. The Design Process starts with a concept sketch or idea, is then refined, and finally developed into a functional part. Students are given an industry based problem and are challenged with finding a design solution. *Design Concept* and *Engineering Design* are the two categories of the Design Challenge Competition. Together they utilize the components of the Design Process. CAD Drafting and artistic skills that students have gained in their classes can be directly applied to an automotive based design problem with the Design Challenge.

Two Categories to Engage Both Drafting and Art Students

The *Design Concept Category* will ask the drafting or art student to propose a creative aesthetic design of a badge and molding for the front edge of a hood of a pickup truck and submit a rendering and/or model of the design.

The *Engineering Design Category* asks the drafting student to create a functional design of a step pocket and insert for the rear bumper of a pickup truck and to present the design in the form of a proper orthographic drawing.

Obtaining the Design Challenge Problems and Instructions

A full description of the Challenge, problems, rules, and CAD file of the truck body in a stp format will be furnished to work from. A pdf file will also be available for those students who don't have access to a CAD system or who choose to submit a hand drawn entry.

** The documents and files can be downloaded from: www.asbeFound.org/events **

Cash Prizes

Certificates of Recognition and Cash Prizes are awarded to the top eight winners in each Category: *Design Concept* and *Engineering Design*. Best of School awards are given to the best entry in each category from high schools that do not place in the top eight.

Awards Dinner

Winning students and their teachers are invited as our guests to our Annual Awards Dinner where prizes and certificates will be awarded.

Important Dates

Monday April 2, 2018: Individual Students must register their intention to participate on our website

April 2, 2018
3 p.m.:

Student entries due at the Macomb Intermediate School District

April 20, 2017: Annual Awards Dinner

Write us for further information about the HS Design Challenge:

DesignChallenge@asbeFound.org

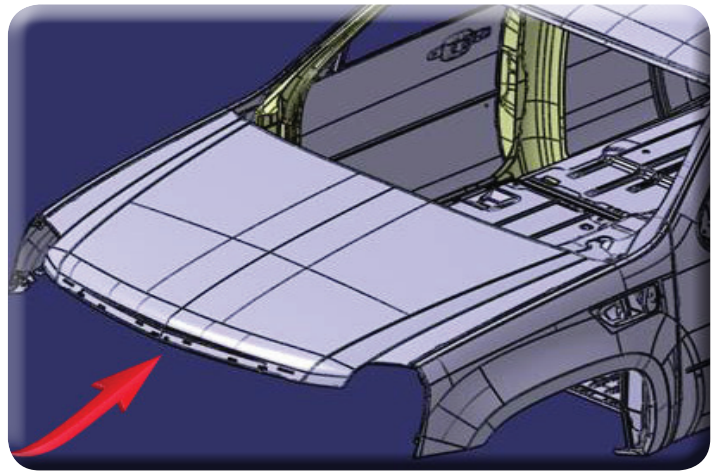
** American Society of Body Engineers Foundation **

www.asbeFound.org

asbe Foundation High School Design Challenge 2018

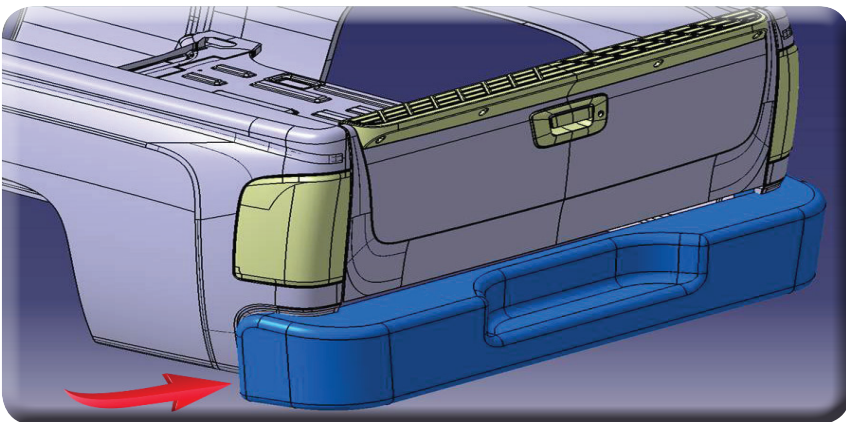
Design Concept Category

Design a Badge and Molding for the front edge for the hood of a mid-size pickup truck



Engineering Design Category

Design a Bumper Step and Insert for the rear bumper of a mid-size pickup truck



The American Society of Body Engineers Foundation
P.O. Box 80363 • Rochester, MI 48308
www.asbeFound.org
Tel 248 403-8365
501(c)3 public charity