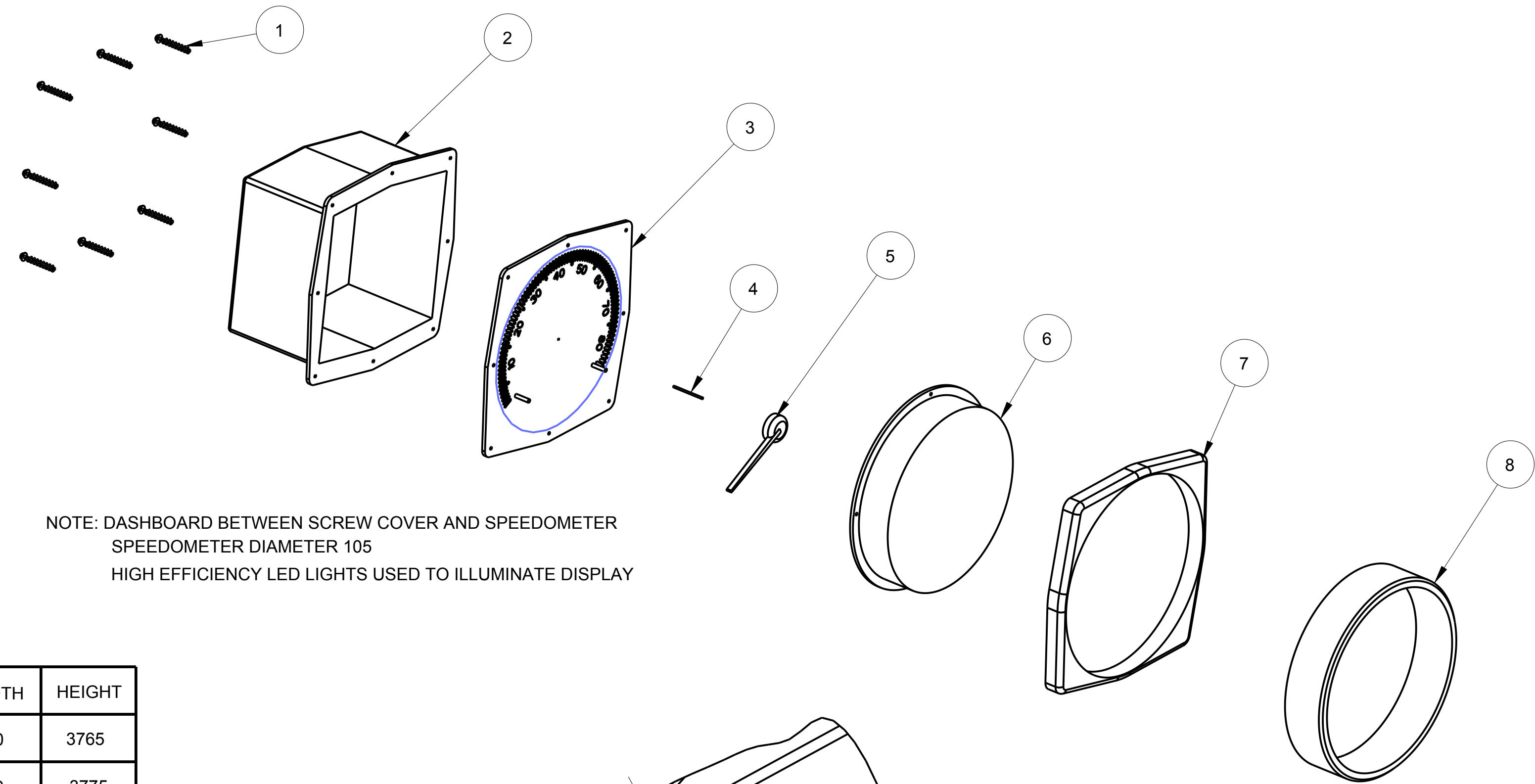
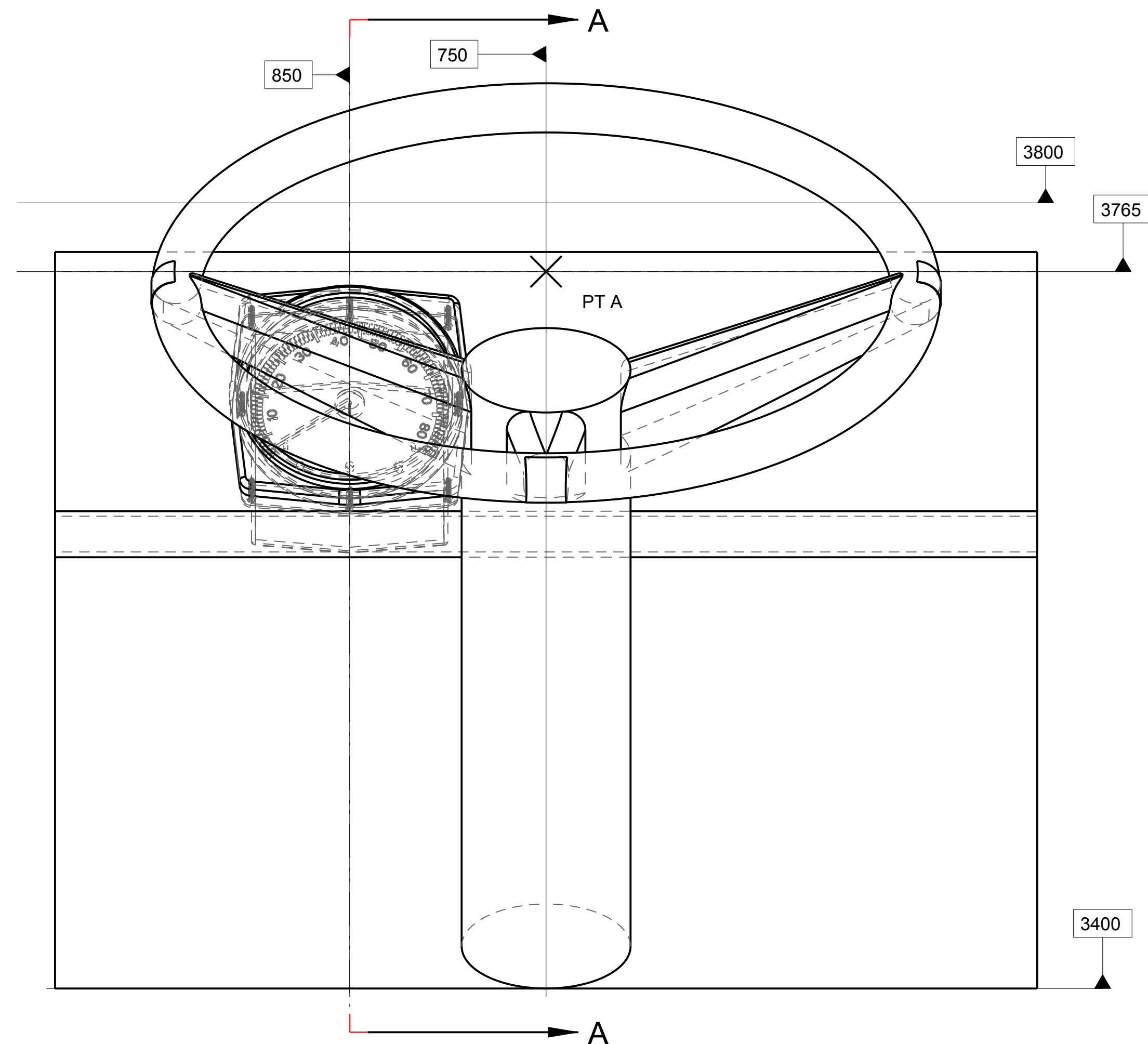
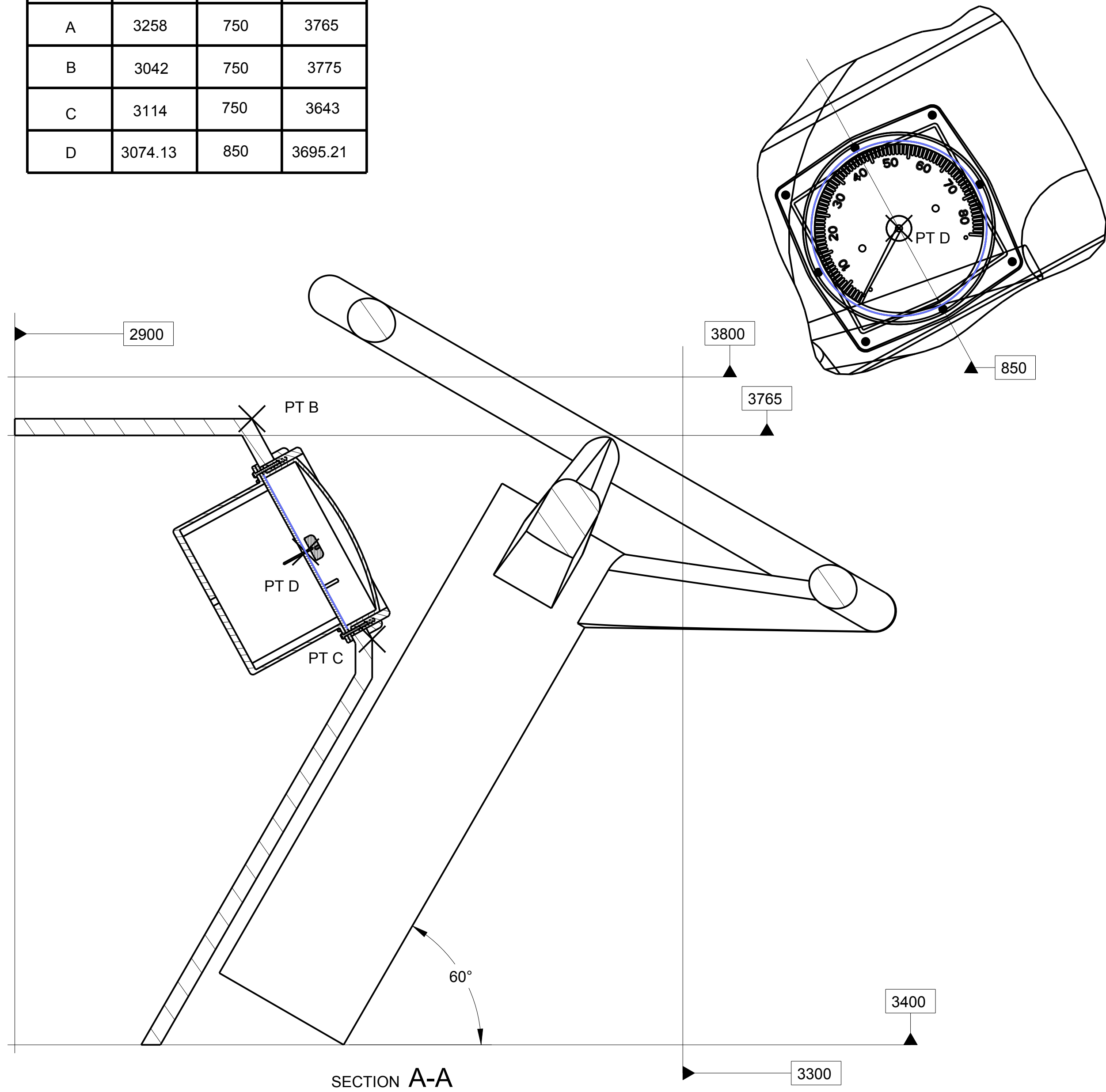
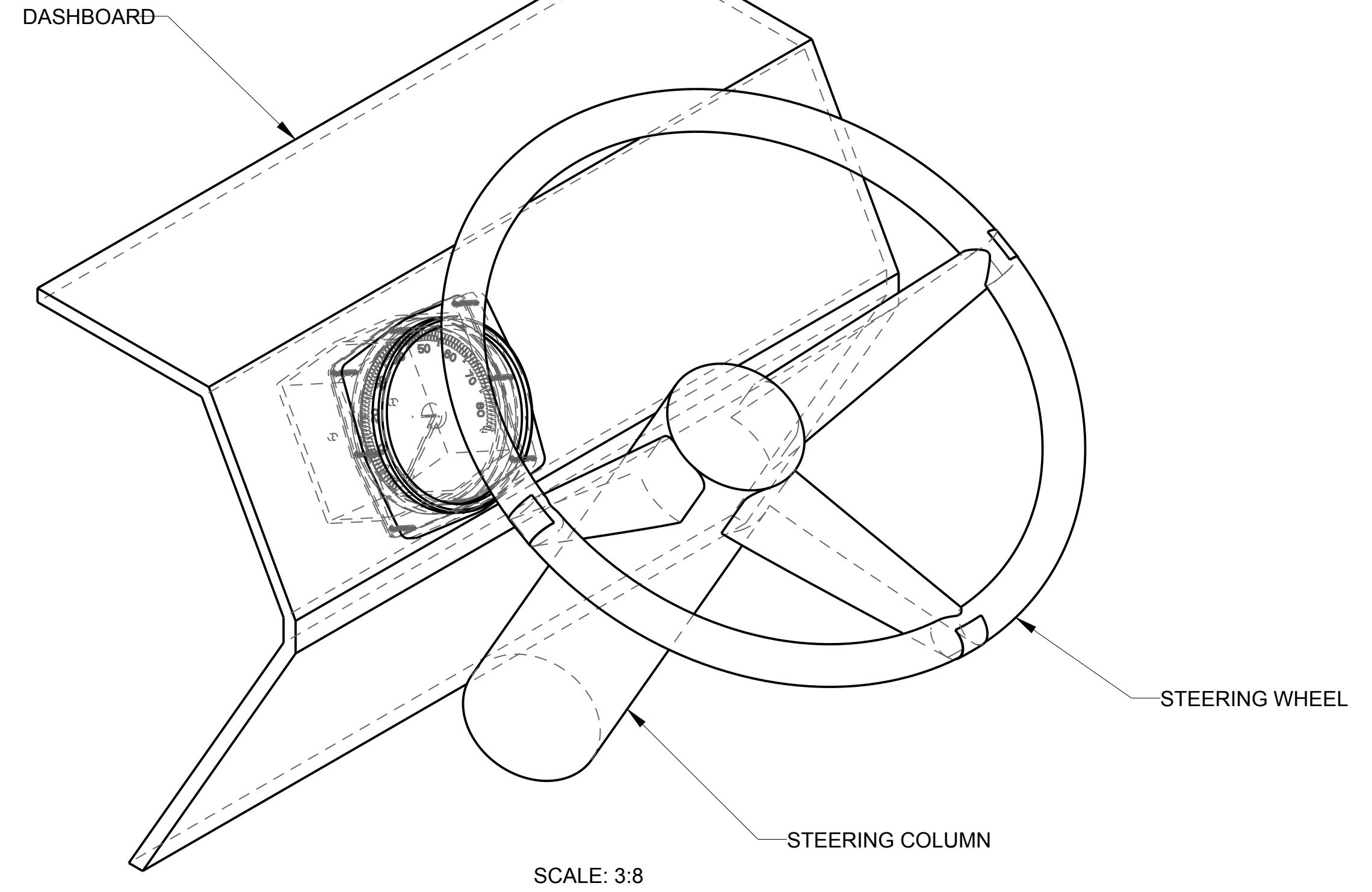


METRIC
LEVEL: A



NOTE: DASHBOARD BETWEEN SCREW COVER AND SPEEDOMETER
SPEEDOMETER DIAMETER 105
HIGH EFFICIENCY LED LIGHTS USED TO ILLUMINATE DISPLAY

| POINT | LENGTH | WIDTH | HEIGHT |
|-------|---------|-------|---------|
| A | 3258 | 750 | 3765 |
| B | 3042 | 750 | 3775 |
| C | 3114 | 750 | 3643 |
| D | 3074.13 | 850 | 3695.21 |



| | | | |
|---|-----------------------------------|---------------|---|
| 8 | SPEEDOMETER WALL | ABS PLASTIC | 1 |
| 7 | SCREW COVER | ABS PLASTIC | 1 |
| 6 | SPEEDOMETER COVER | LEXON PLASTIC | 1 |
| 5 | NEEDLE | ABS PLASTIC | 1 |
| 4 | NEEDLE PIN | STEEL | 1 |
| 3 | SPEEDOMETER | ABS PLASTIC | 1 |
| 2 | ELECTRONICS COVER | ABS PLASTIC | 1 |
| 1 | SELF TAPPING SCREW: M 3.175 x 1.5 | STEEL | 8 |

PRO ENGINEER
4.0 WILDFIRE