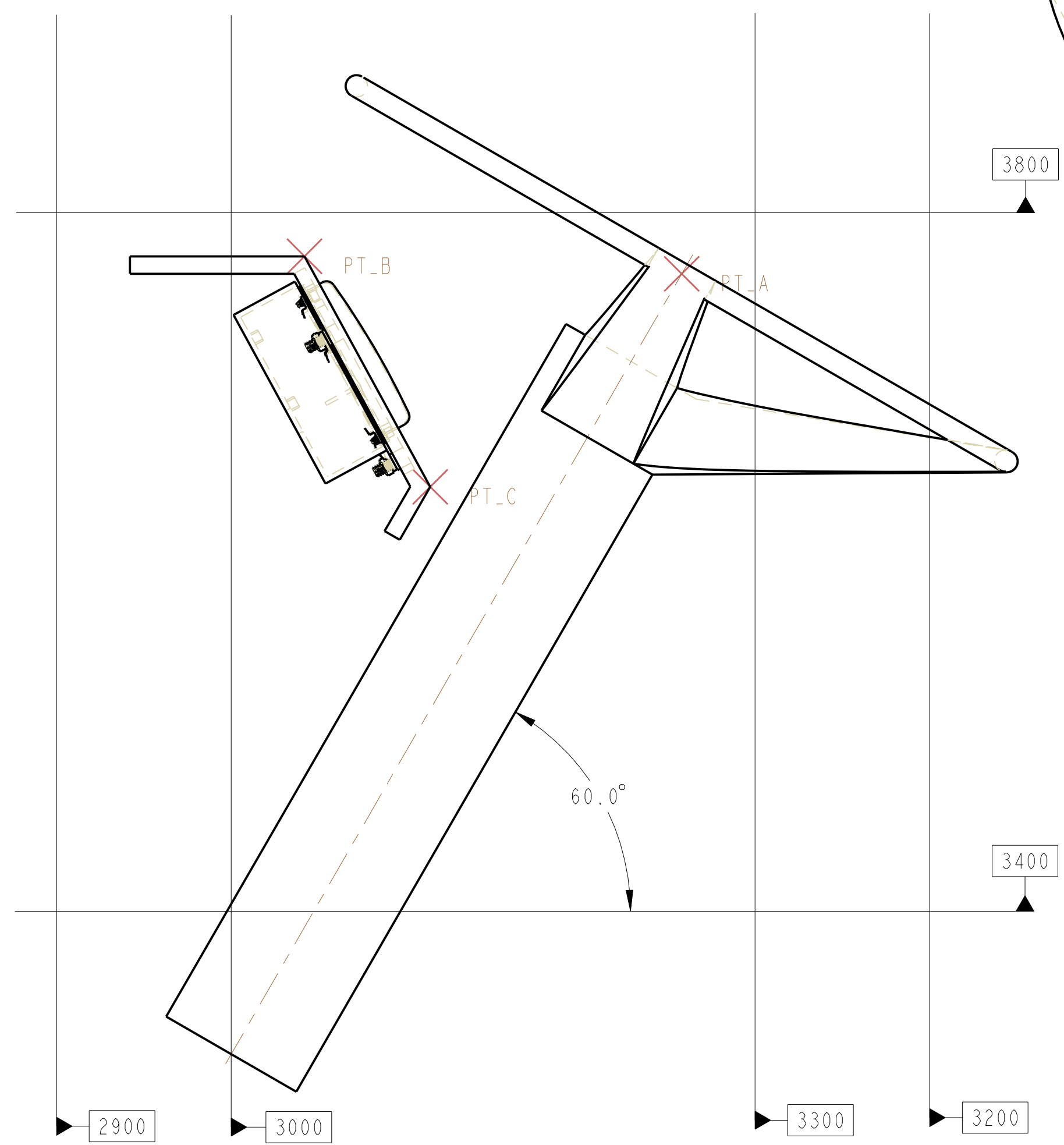
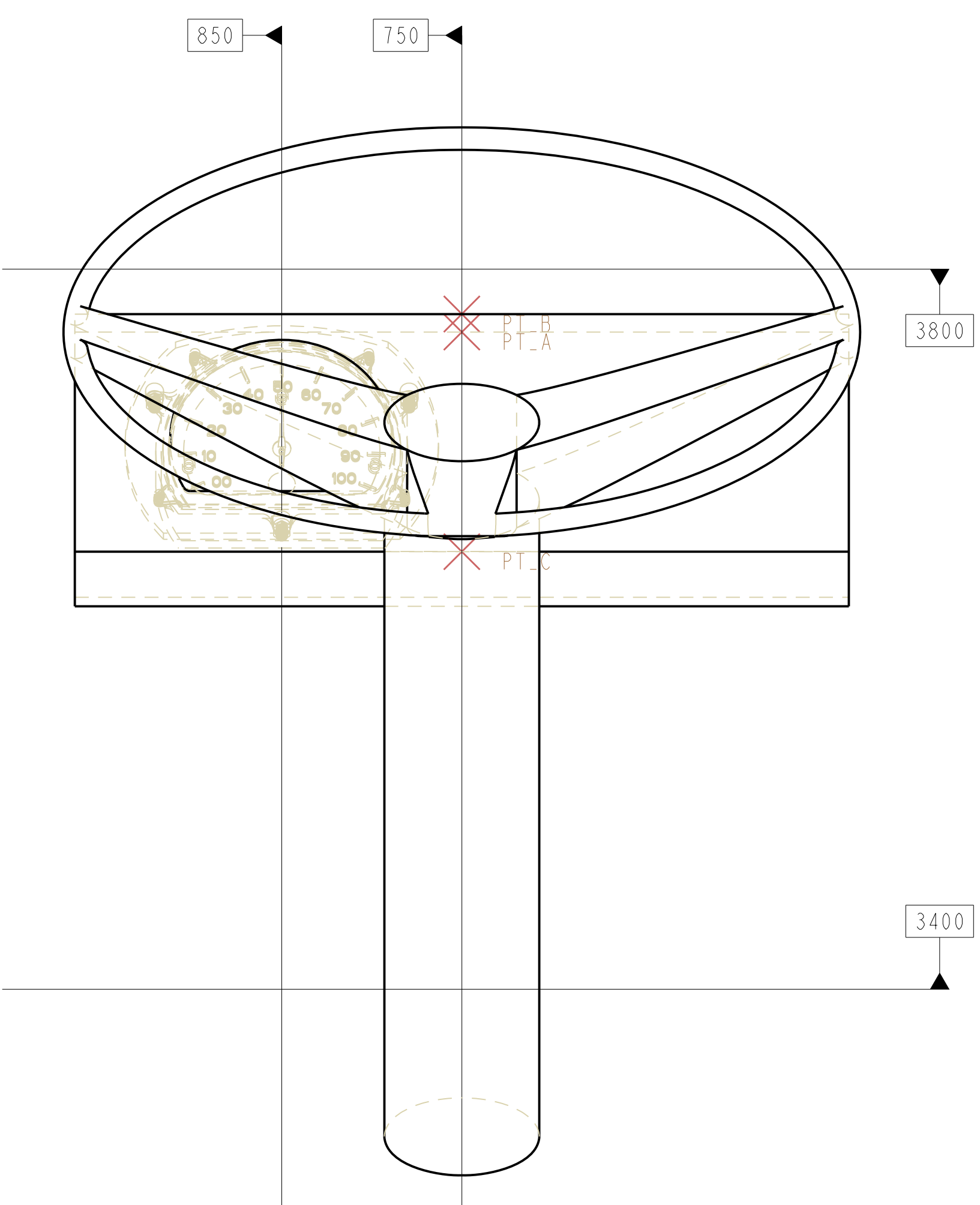
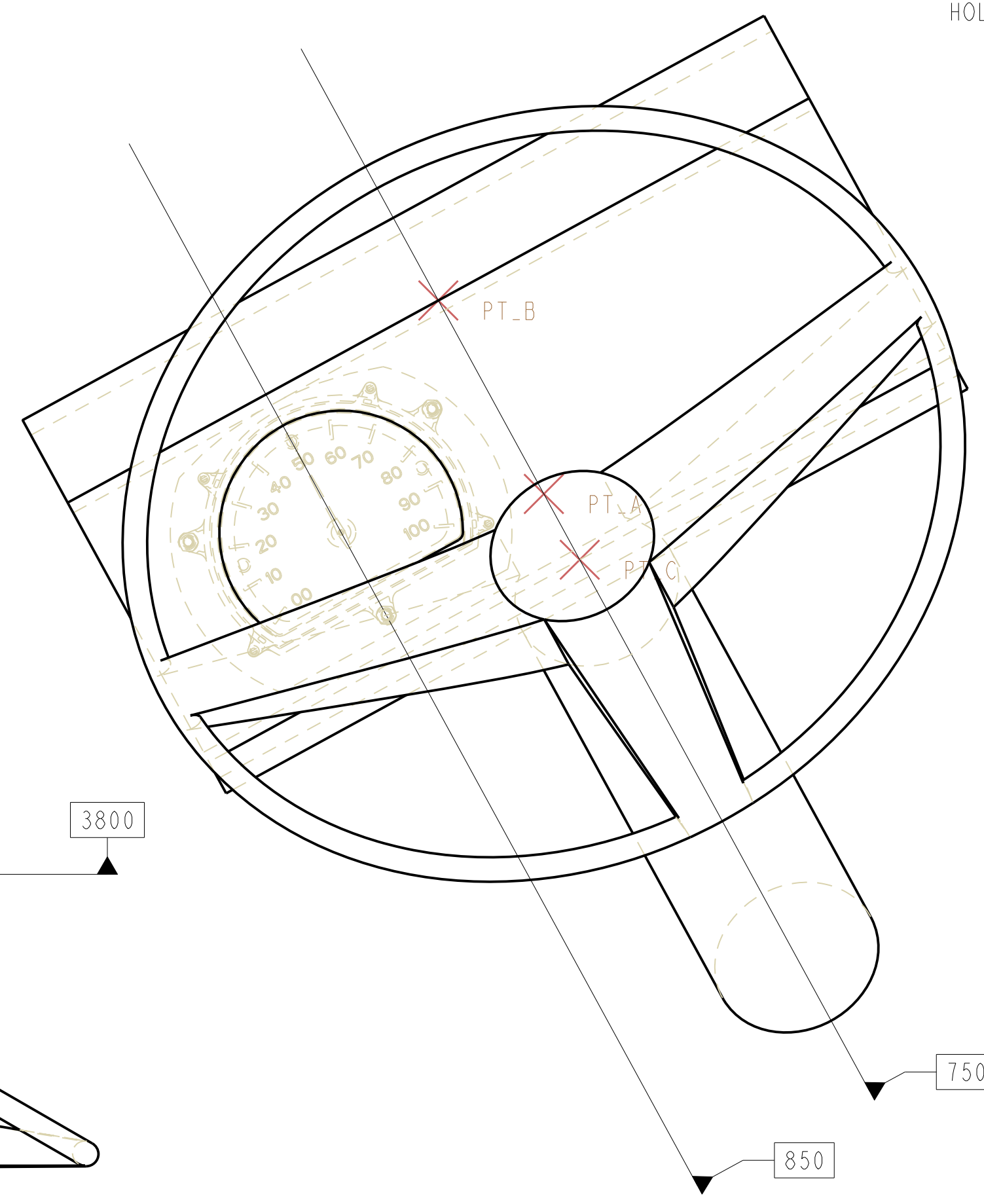


COMPONENTS ATTACHED TOGETHER WITH SNAP PINS (PART #6)
ASSEMBLY ATTACHED TO DASHBOARD FROM BEHIND WITH BOLT SYSTEM

	X	Y	Z
PT A	3258	750	3765
PT B	3042	750	3775
PT C	3114	750	3643



7	M6 X 1 NUT	3	STEEL
6	SNAP PIN	4	ABS
5	LENS	1	LEXAN
4	NEEDLE	1	ABS
3	SPEEDOMETER COVER	1	ABS
2	SPEEDOMETER FACE	1	ABS
1	BEZEL	1	ABS
PART #	PART NAME	QTY.	MAT.

CAD SYSTEM & VERSION: PRO E WILDFIRE 4.0	AMERICAN SOCIETY OF BODY ENGINEERS DESIGN COMPETITION		
SCHOOL NAME: BRIGHTON HIGH SCHOOL	SCALE: 1:40		
STUDENT NAME: JAMES WILLIAM HOLPER	DATE: 1/11/11		
PART NAME: RV SPEEDOMETER			