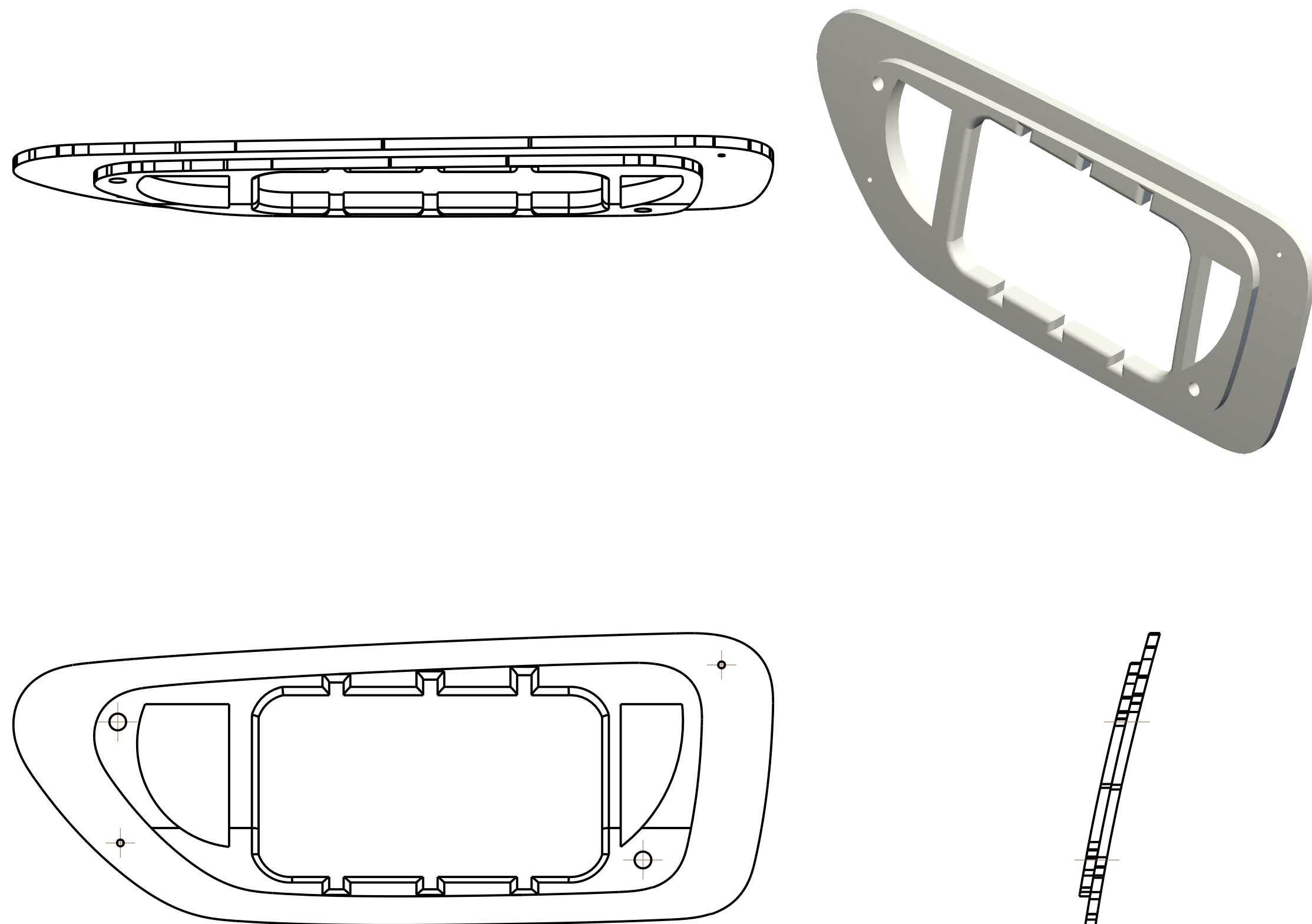
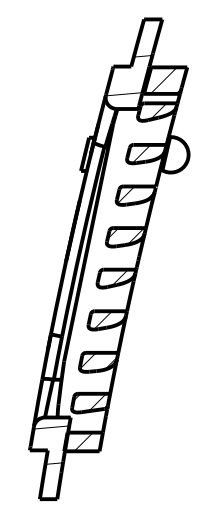
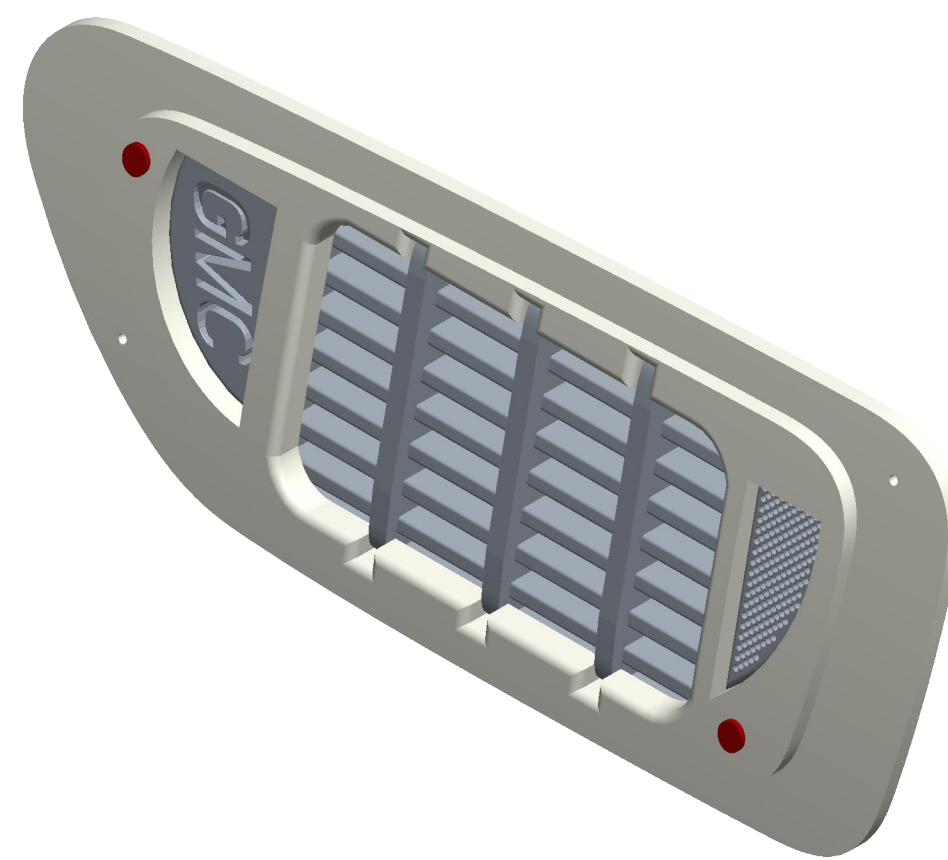


VENT COVER

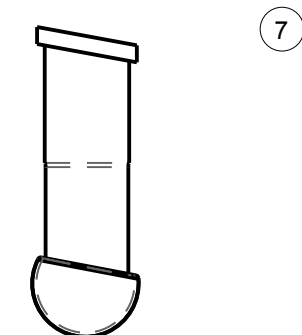
3



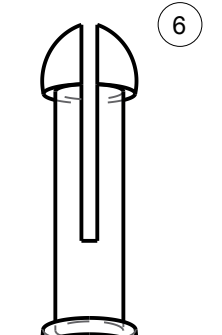
ASSEMBLED VENT AND COVER WITH FASTENERS EXCLUDING FENDER AND FENDER FASTENERS



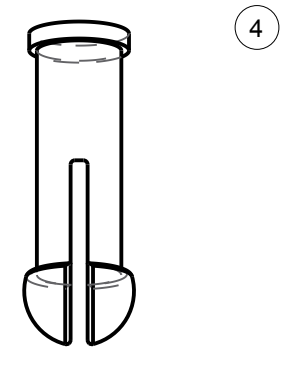
SECTIONED VIEW OF ASSEMBLED VENT AND COVER



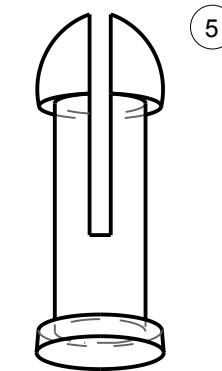
TOP LEFT COVER FASTENER



BOTTOM LEFT FENDER FASTENER

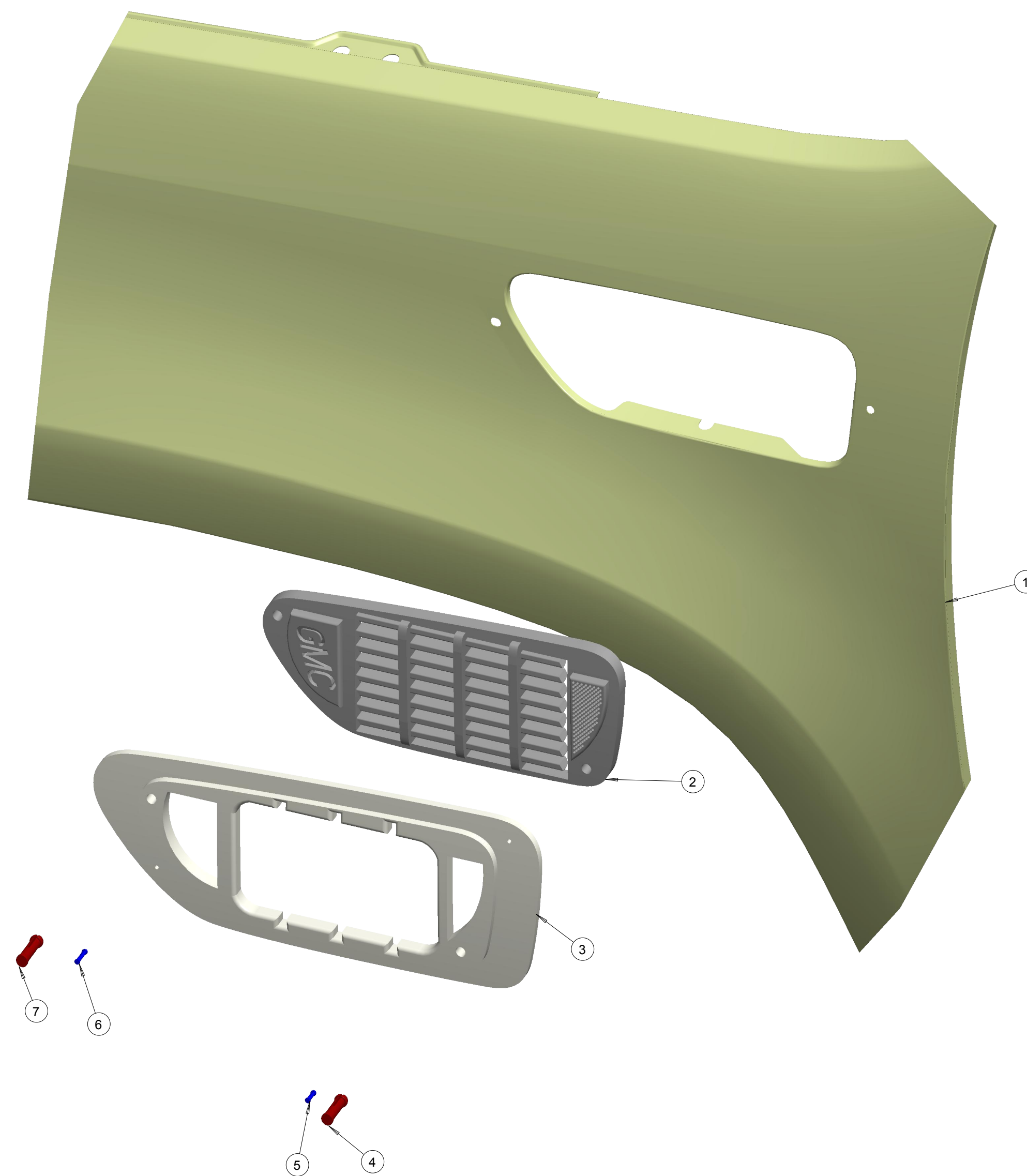


BOTTOM RIGHT COVER FASTENER

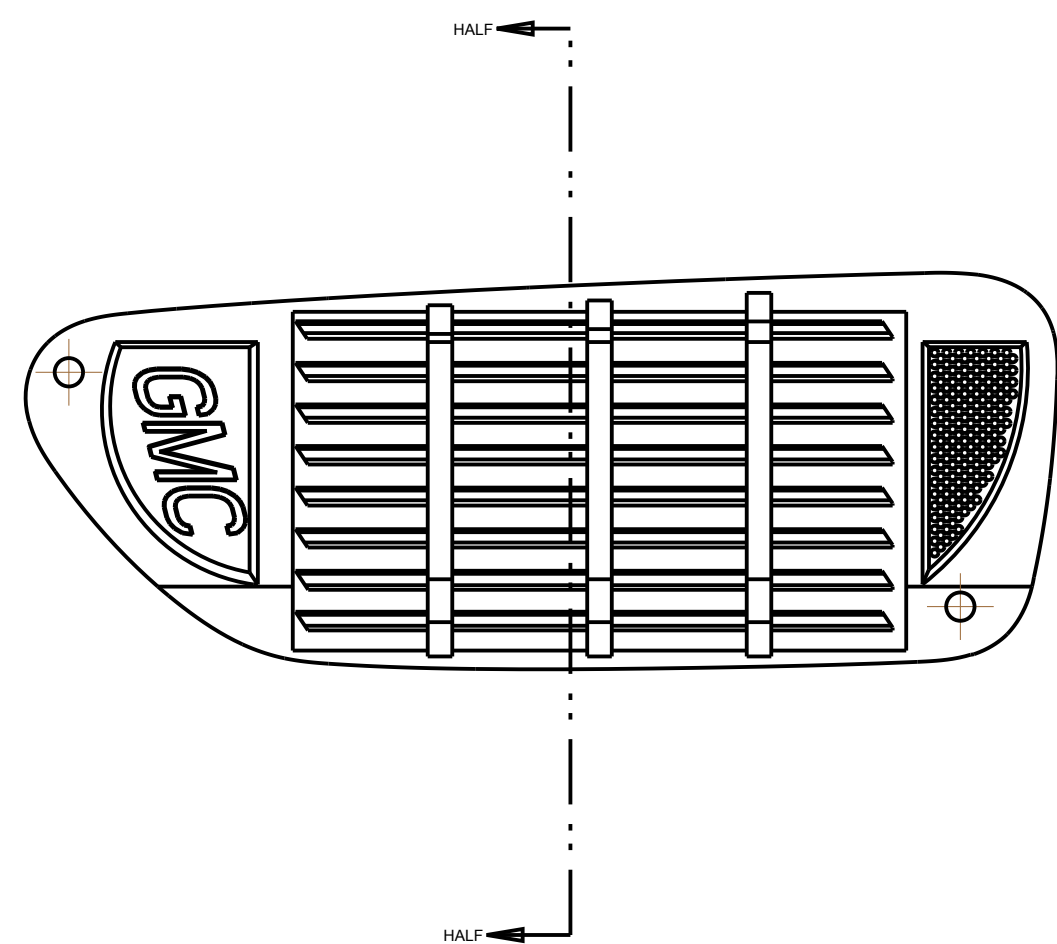


TOP RIGHT FENDER FASTENER

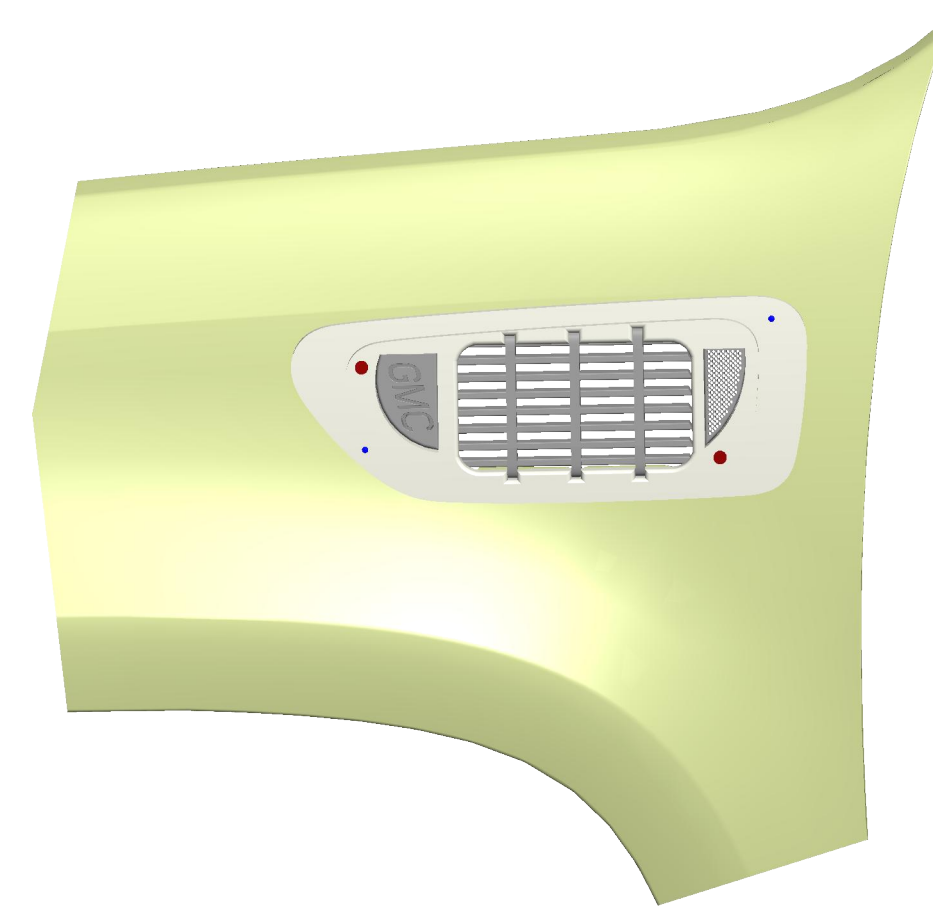
DESIGN CONCEPT METRIC



MAIN VENT 2



SECTION VIEW OF VENT



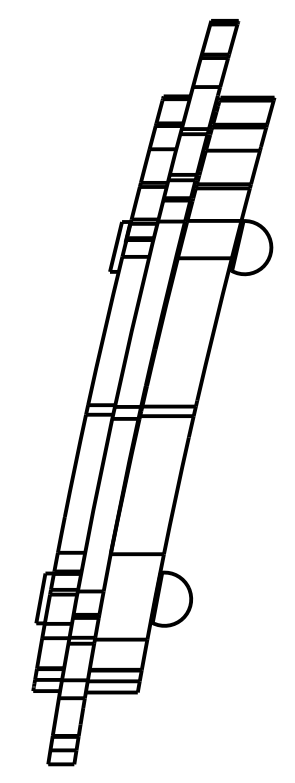
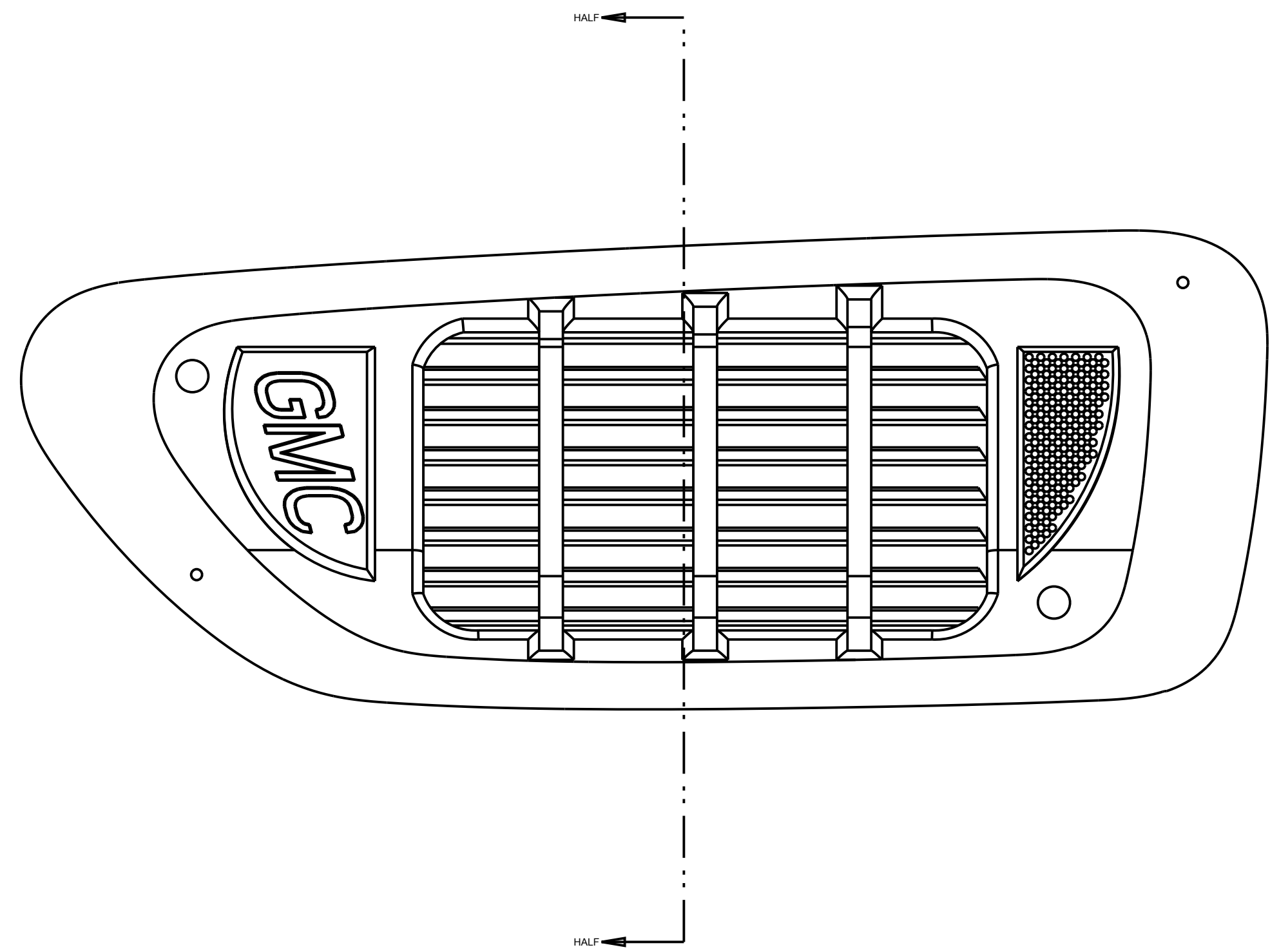
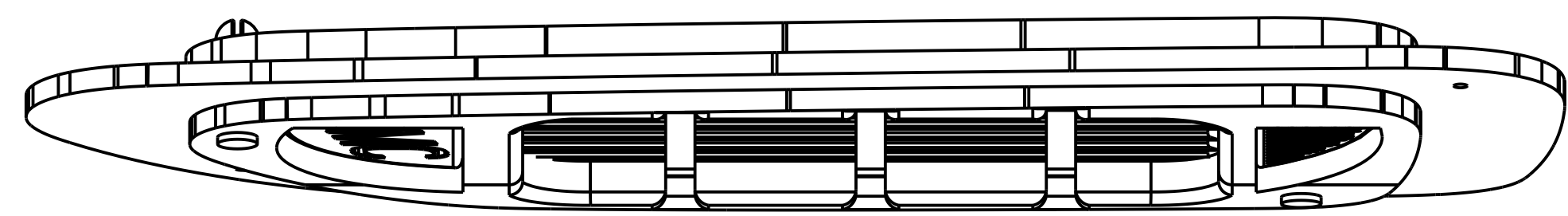
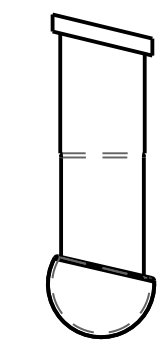
FRONT VIEW OF ASSEMBLED FENDER AND VENT

PART #	PART NAME	QUANTITY
7	FENDER FASTENER	1
6	FENDER FASTENER	1
5	FASTENER PUSH PIN	1
4	FASTENER PUSH PIN	1
3	COVER	1
2	VENT	1
1	FENDER	1

THE VENT WILL BE ASSEMBLED TO A COVER PIECE USING TWO PUSH PIN FASTENERS, VARYING IN LENGTH. THE ASSEMBLED VENT AND COVER WILL THEN BE APPLIED TO THE FENDER USING TWO 3mm PUSH PIN FASTENERS, WHICH GO THROUGH THE COVER AND FENDER ONLY.

DIMENSIONAL TOLERANCE
 .x = ± .1
 .xx = ± .05
 .xxx = ± .005
 ANGLES = ± 1°

BRIGHTON HIGH SCHOOL BRIGHTON, MI		
DWG: ASBE ASSEMBLY		
DWG BY: PAUL GRISDELA	HR: 4/5	
DATE: 1/7/16	SCALE: VARIES	SH: 1 OF



DIMENSIONAL TOLERANCE
.x = ± .1
.xx = ± .05
.xxx = ± .005
ANGLES = ± 1°

BRIGHTON HIGH SCHOOL BRIGHTON, MI		
DWG:	HR:	
DWG BY:	SH:	
DATE:	SCALE:	SH: