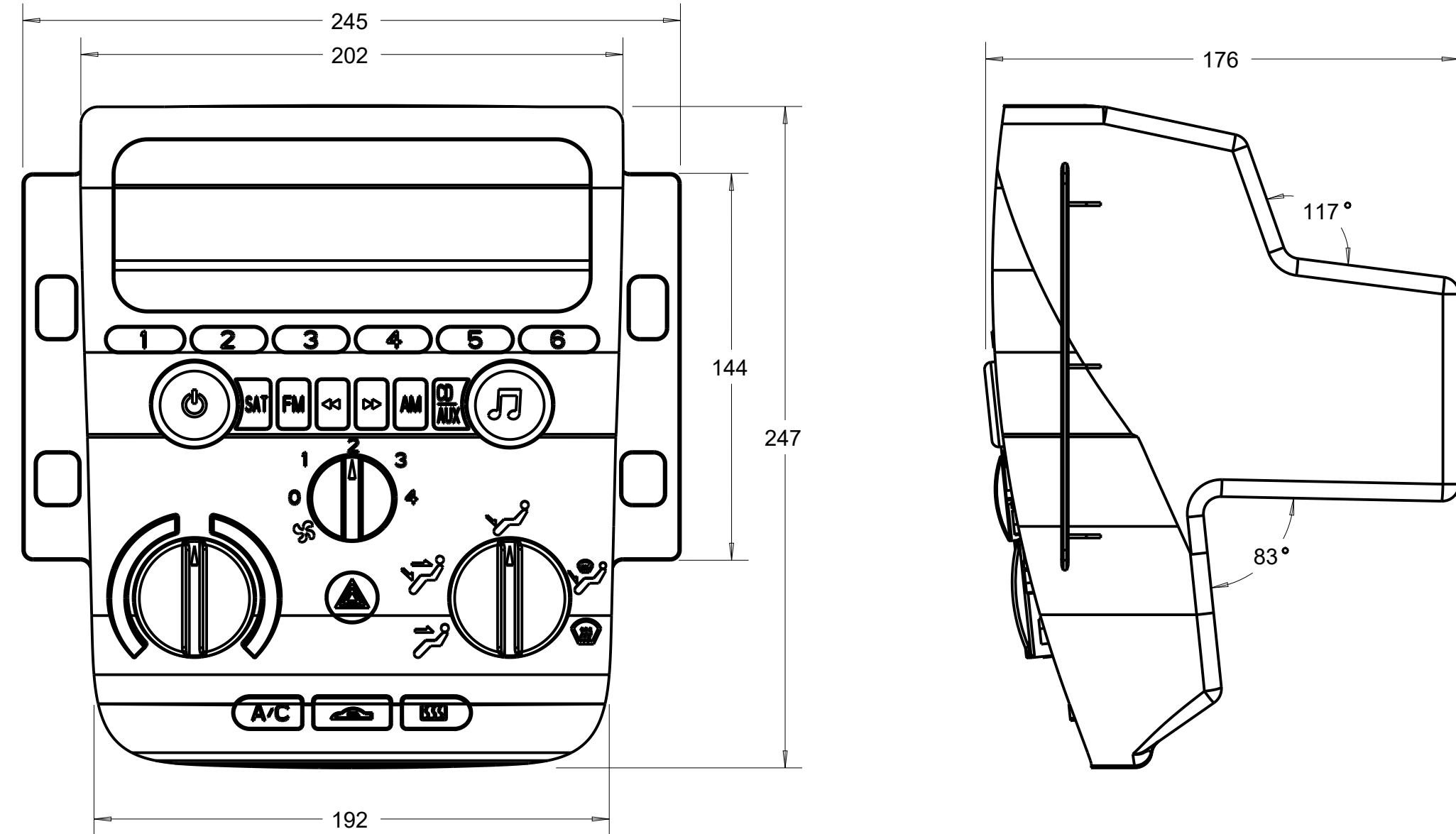
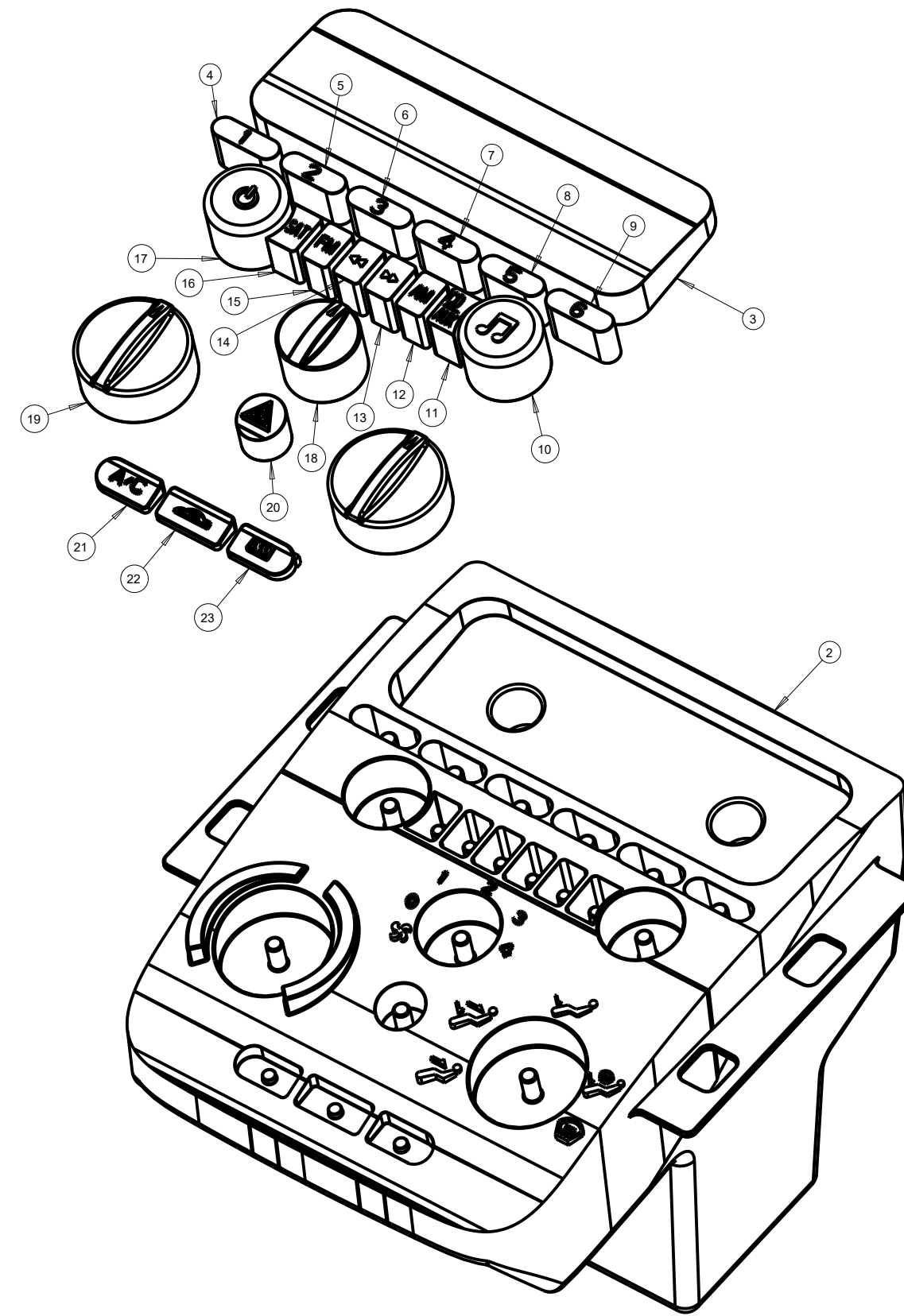


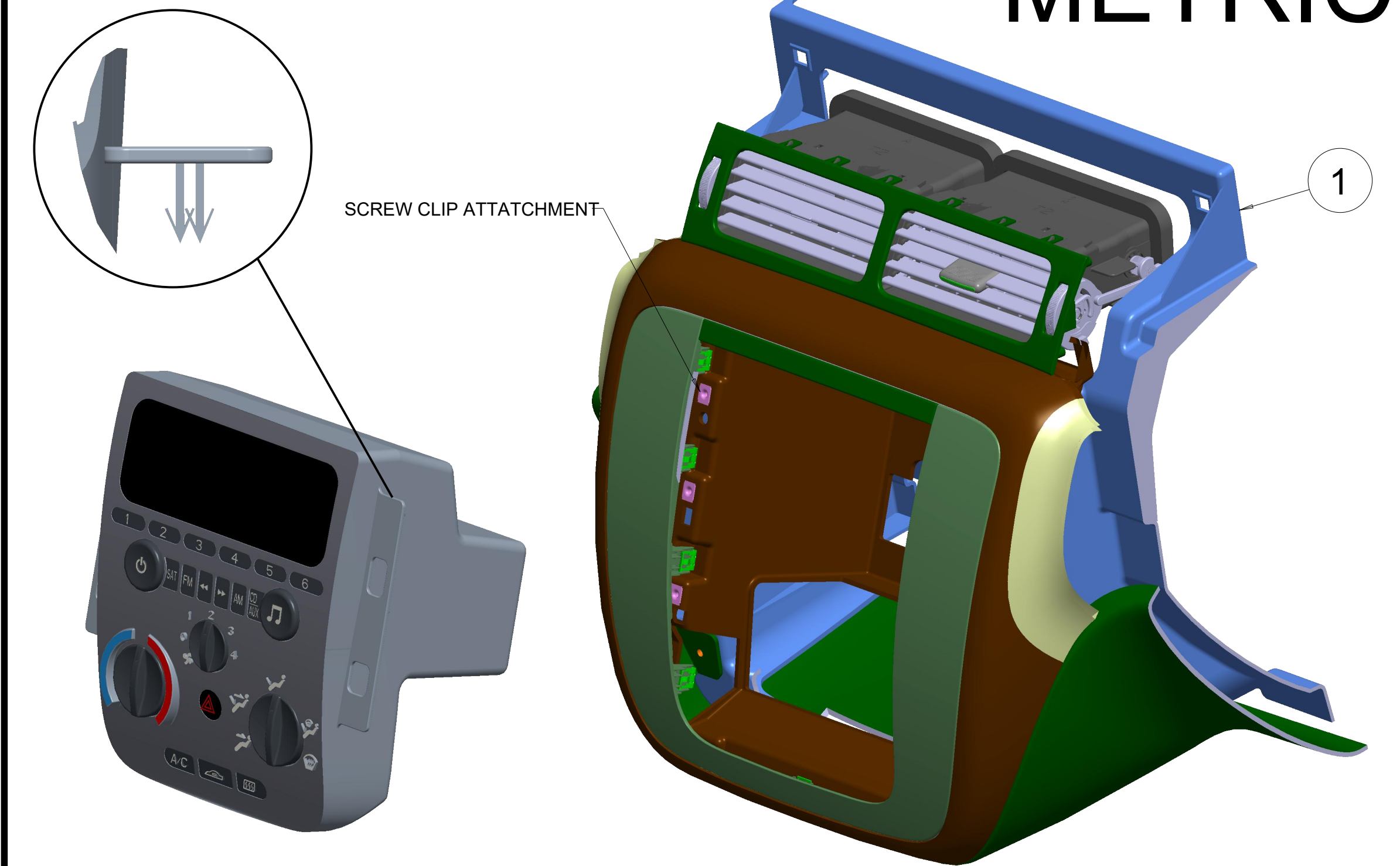
## OVERALL DIMENSIONS



## CONSOLE EXPLODED



## ASSEMBLY EXPLODED

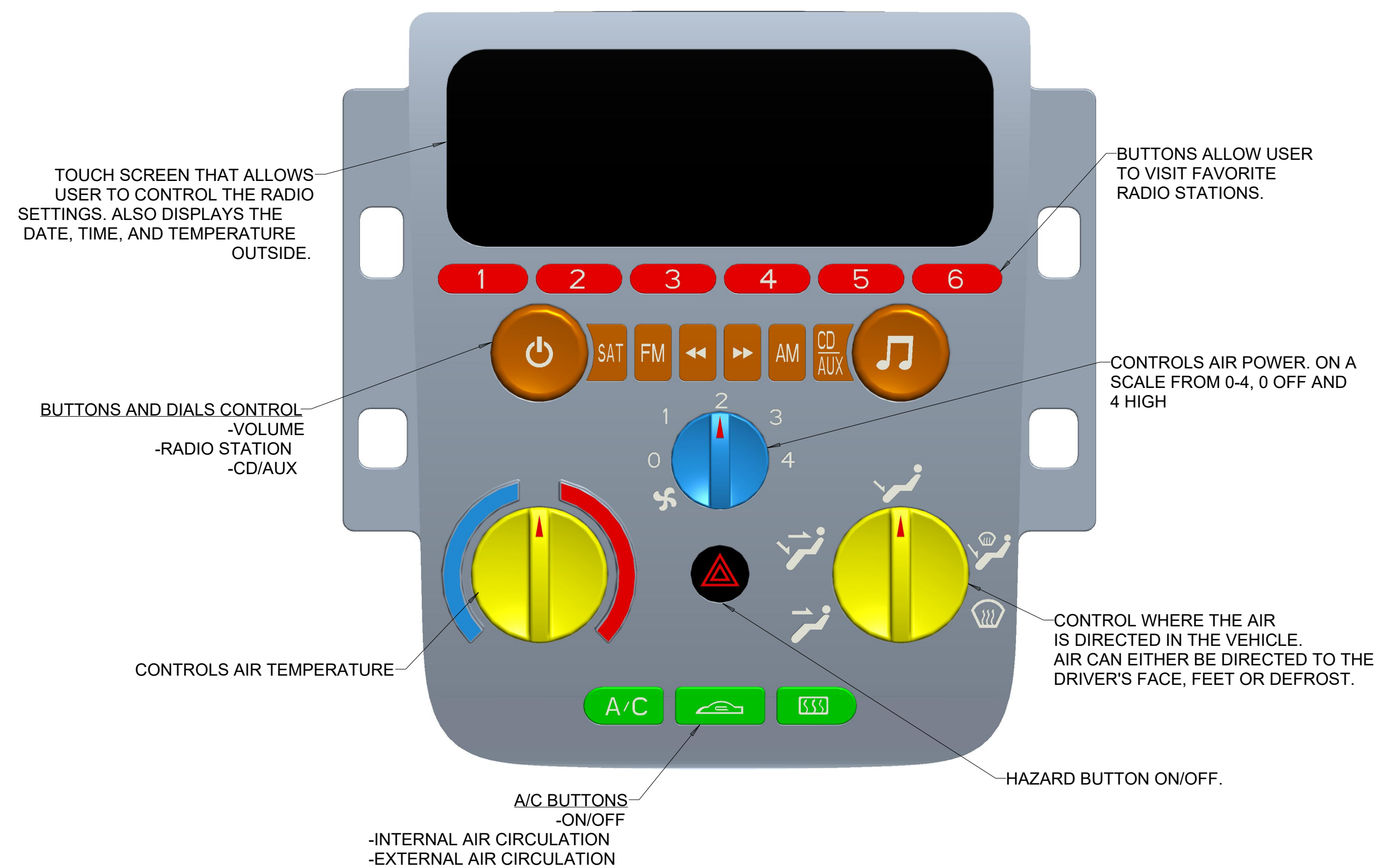


# METRIC

ASSEMBLY INSTRUCTIONS: TO ASSEMBLE, MATCH UP ARROWS WITH SCREW CLIP ATTACHMENTS. ARROWS WILL FLEX AND SLIDE INTO CLIPS, LOCKING INTO PLACE AFTER PASSING THROUGH

## FEATURE DESCRIPTION

## ASSEMBLED ISOMETRIC



23	OUTSIDE AIR BUTTON	1
22	AIR CIRCULATION BUTTON	1
21	A/C BUTTON	1
20	HAZARD BUTTON	1
19	AIR DIAL	2
18	AIR POWER DIAL	1
17	VOLUME DIAL	1
16	SAT BUTTON	1
15	FM BUTTON	1
14	PREVIOUS STATION BUTTON	1
13	NEXT STATION BUTTON	1
12	AM BUTTON	1
11	CD/AUX BUTTON	1
10	RADIO STATION DIAL	1
9	FAVORITE BUTTON 6	1
8	FAVORITE BUTTON 5	1
7	FAVORITE BUTTON 4	1
6	FAVORITE BUTTON 3	1
5	FAVORITE BUTTON 2	1
4	FAVORITE BUTTON 1	1
3	SCREEN	1
2	CONSOLE BASE	1
1	CONSOLE HOUSING	1
PART #	PART NAME	QTY.

PARTS LIST

STUDENT NAME: ZACH WHALEN

SCHOOL: BRIGHTON HIGH SCHOOL

GRADE LEVEL: CATEGORY:

11 DESIGN CONCEPT

EMAIL ADDRESS: WHALENZR20@BRIGHTONK12.COM

TEACHER NAME: MR. JOURDEN