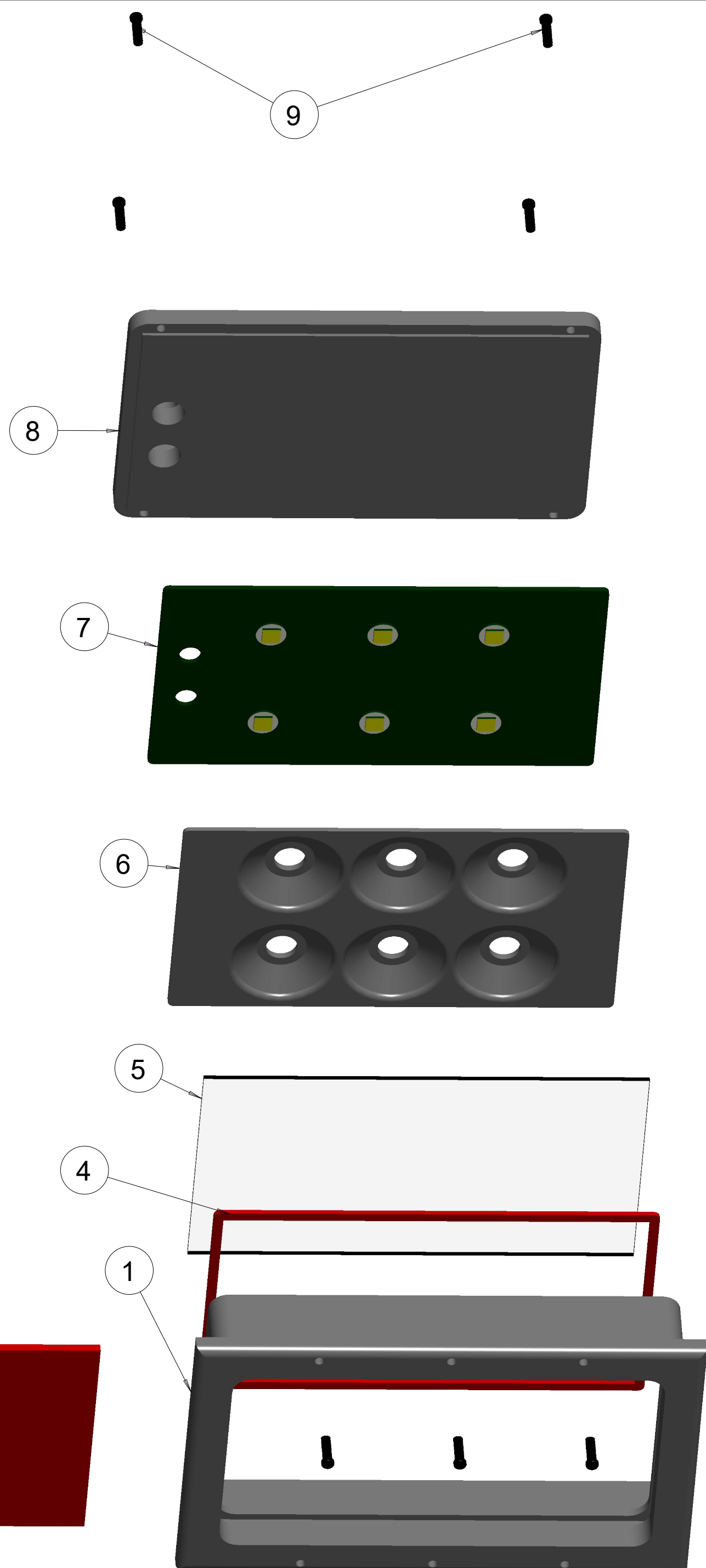
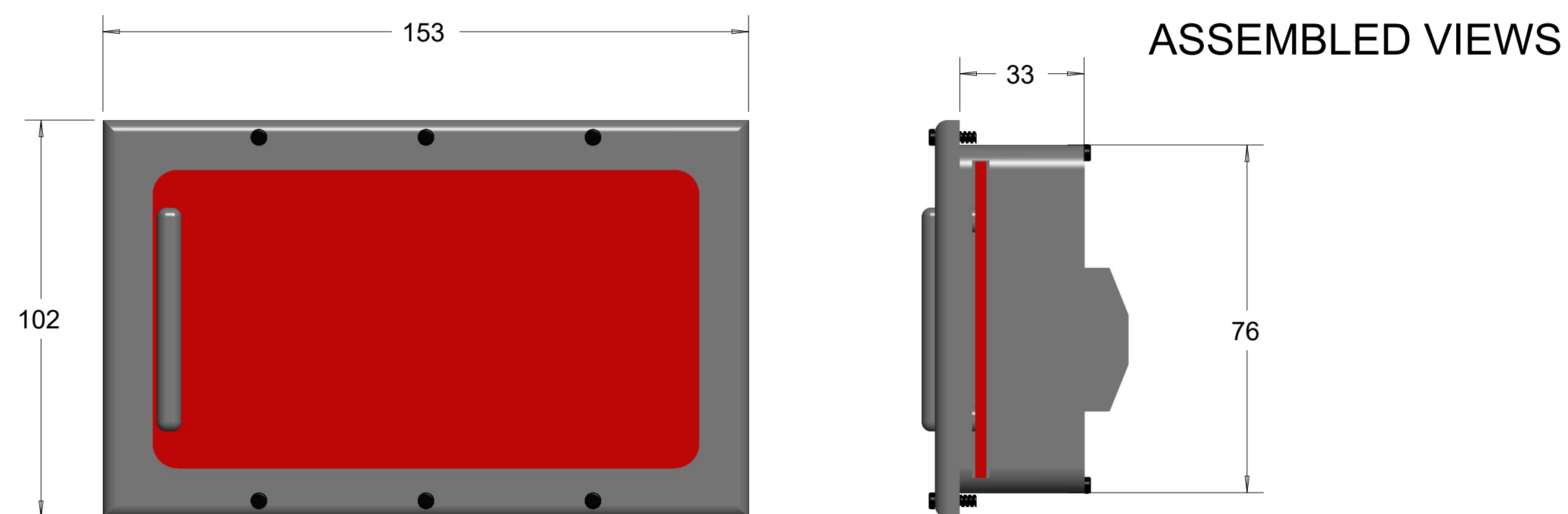


PART#	PART NAME	QTY.
1	LIGHT SHELL	1
2	LIGHT DOOR	1
3	HANDLE	1
4	GLASS GASKET	1
5	GLASS	1
6	LIGHT REFLECTOR	1
7	LED	1
8	LIGHT BACKPLATE	1
9	M3x0.5 SCREW 11mm	4
10	M3x0.5 SCREW 7mm	2
11	M3X0.5 SELF TAPPING	6



EXPLODED VIEW

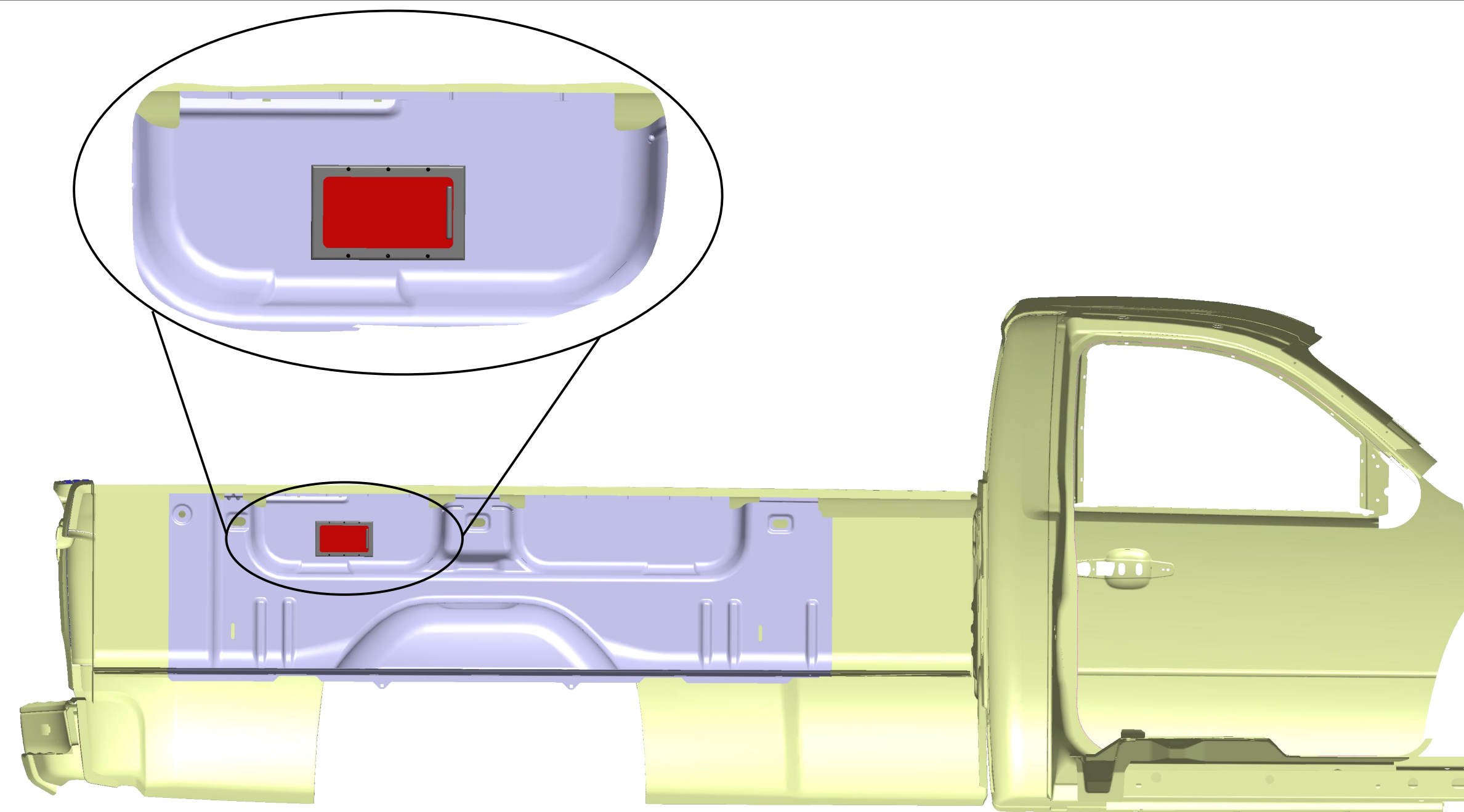


ASSEMBLED VIEWS

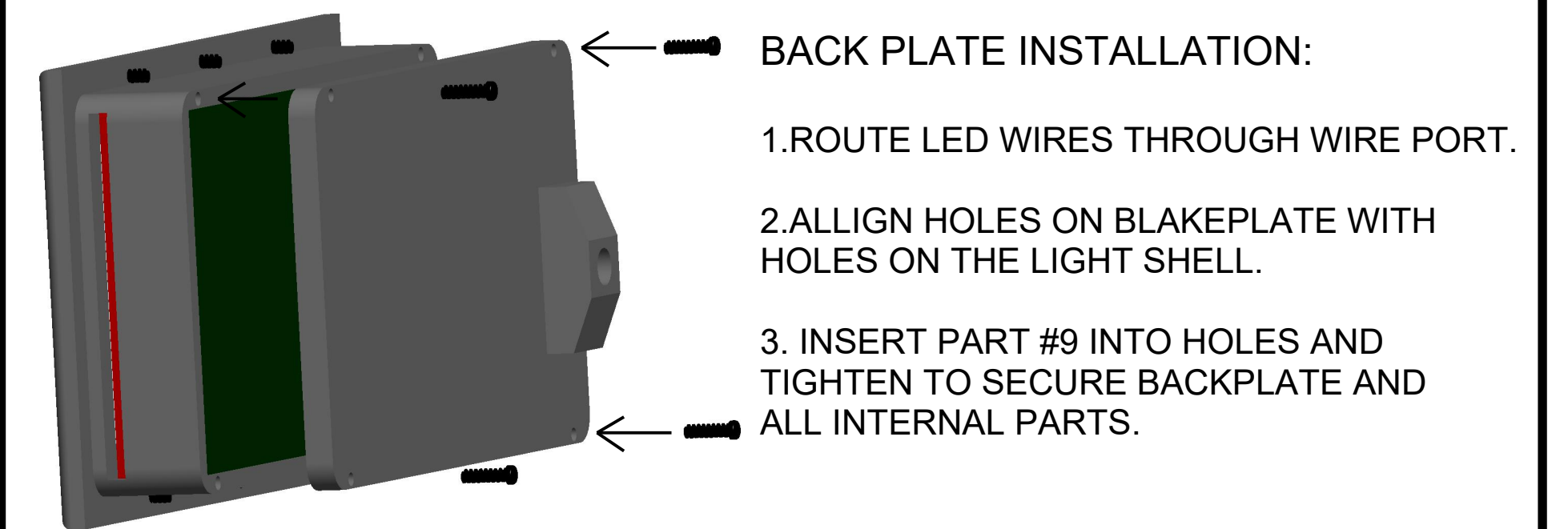
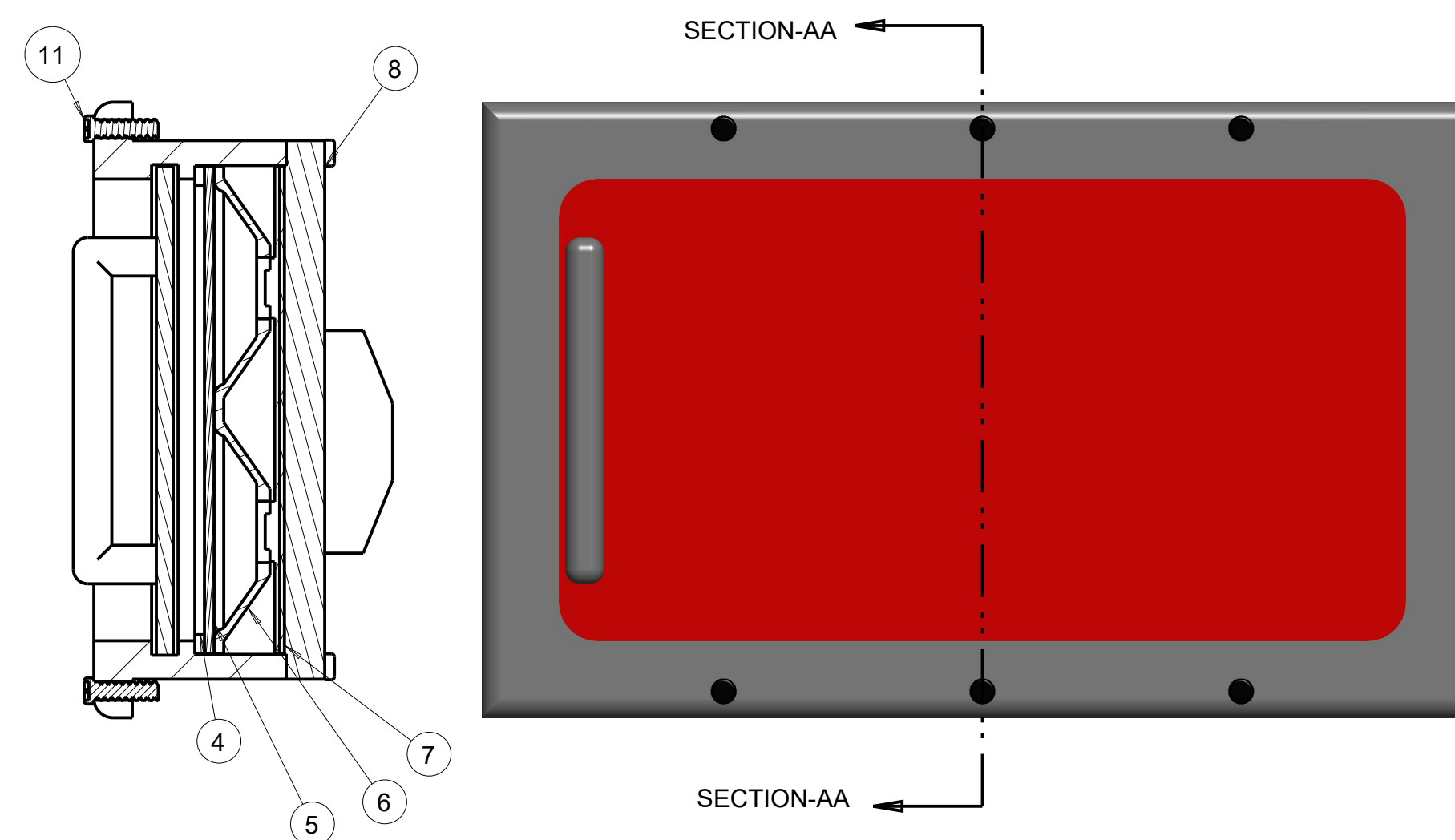
METRIC

INSTALLATION INSTRUCTIONS:

1. CUT A 74MM X 153MM HOLE IN THE SIDE OF THE TRUCKS MANIFOLD.
2. MAKE SURE DOOR IS CLOSED AND WIRES ARE THROUGH HOLE IN MANIFOLD.
3. SLIDE LIGHT INTO HOLE AND USE PART #11 TO SECURE LIGHT TO SIDE OF TRUCK BODY.
4. USE A WATERPROOF SEALANT AROUND EDGES OF LIGHT.



VIEW OF INTERIOR ASSEMBLY



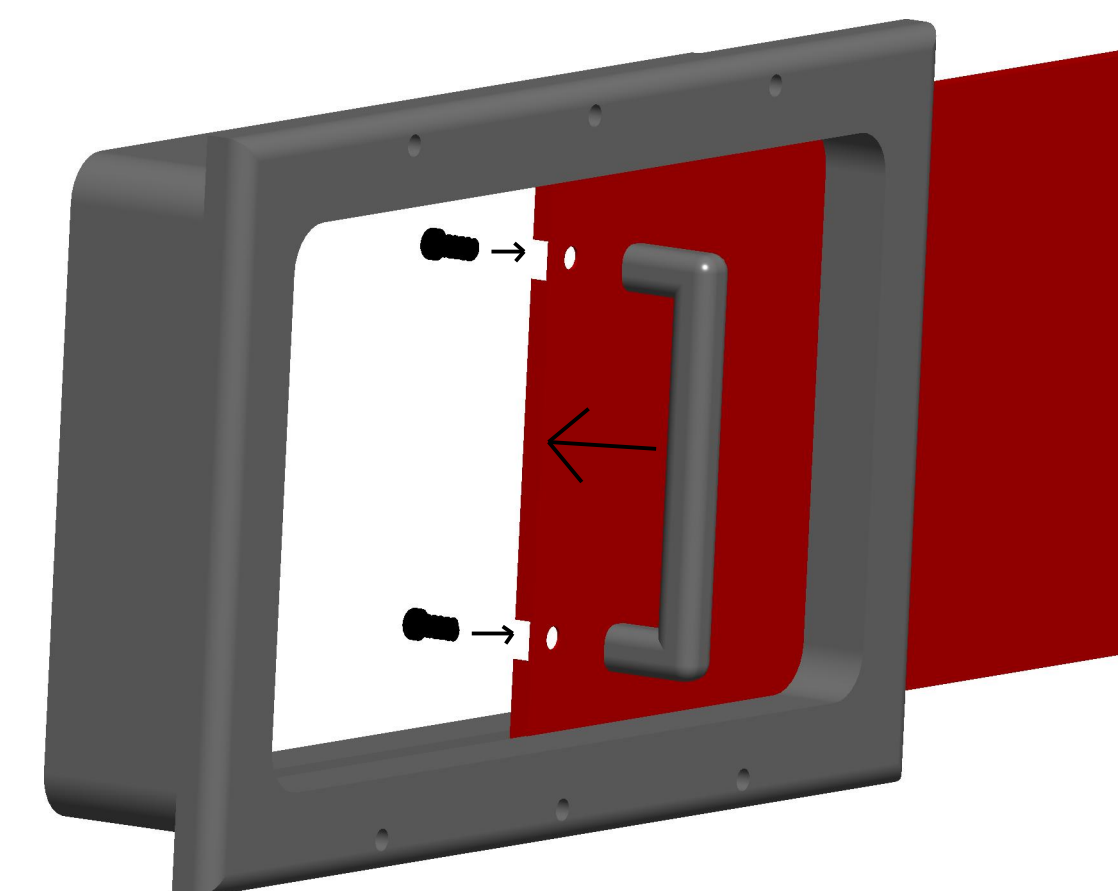
BACK PLATE INSTALLATION:

1. ROUTE LED WIRES THROUGH WIRE PORT.
2. ALIGN HOLES ON BLAKEPLATE WITH HOLES ON THE LIGHT SHELL.
3. INSERT PART #9 INTO HOLES AND TIGHTEN TO SECURE BACKPLATE AND ALL INTERNAL PARTS.

DOOR AND HANDLE INSTALLATION:

1. SLIDE DOOR PANEL THROUGH SLOT IN SIDE OF THE LIGHT SHELL WITH THE SIDE WITH HOLES IN IT BEING INSERTED FIRST.
2. LINE UP HANDLE HOLES WITH DOOR HOLES
3. INSERT AND TIGHTEN SCREWS FROM THE BACKSIDE OF THE DOOR.

NOTE: THE DOOR SLIDES OPEN BEHIND THE INTERIOR PIECE OF THE TRUCK BED.



STUDENT NAME:
NICHOLAS HOLMAN
SCHOOL:
BRIGHTON HIGH SCHOOL
GRADE LEVEL: 12 CATEGORY: ENGINEERING DESIGN
EMAIL ADDRESS:
HOLMANN19@BRIGHTONK12.COM
TEACHER NAME:
MATTHEW JOURDEN