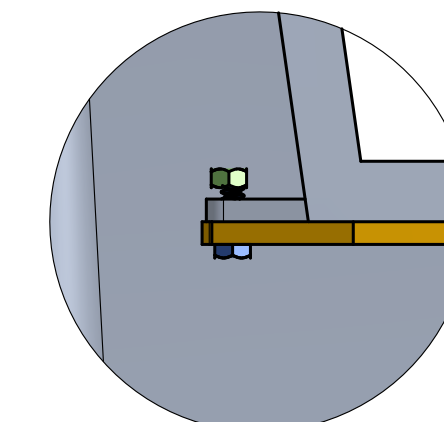
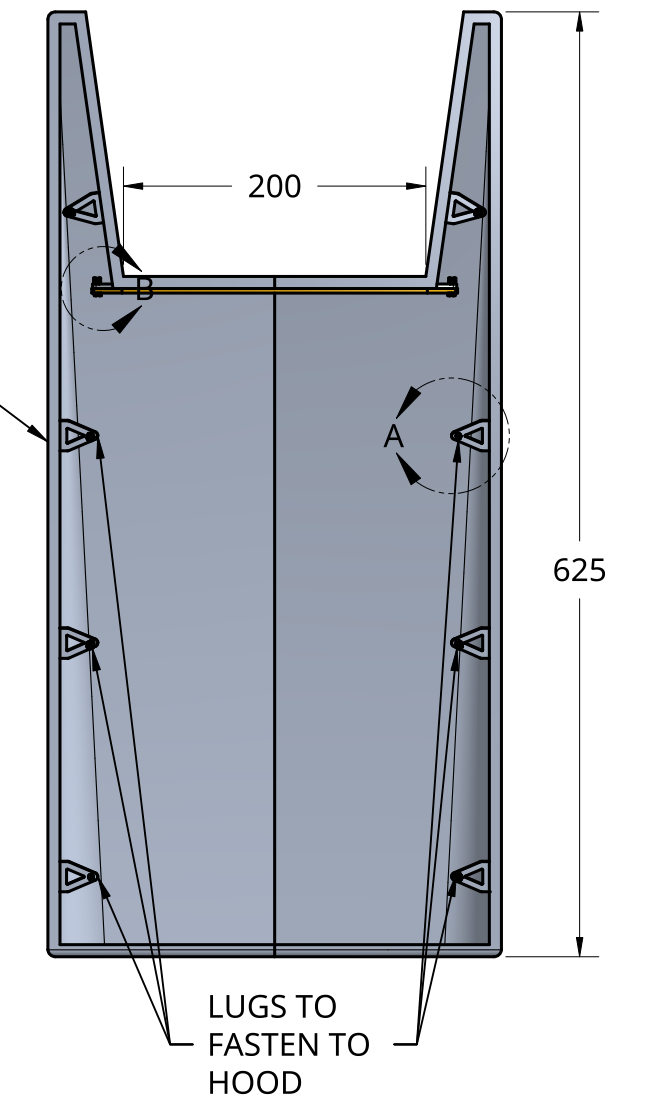


DETAIL A
BOLT LUG



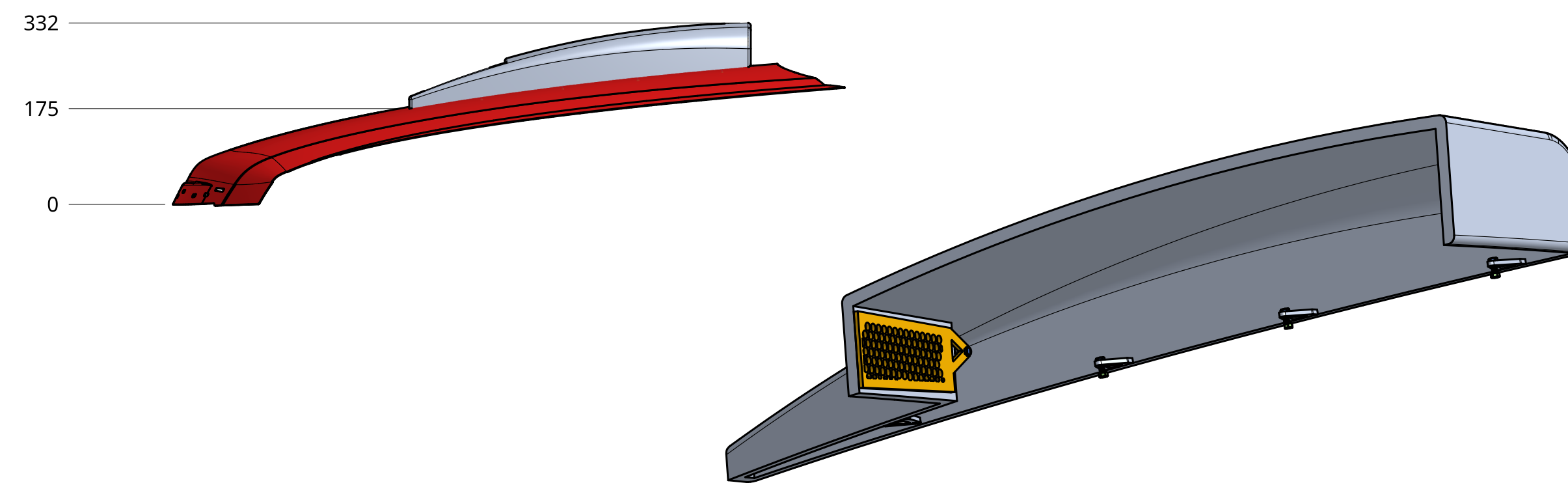
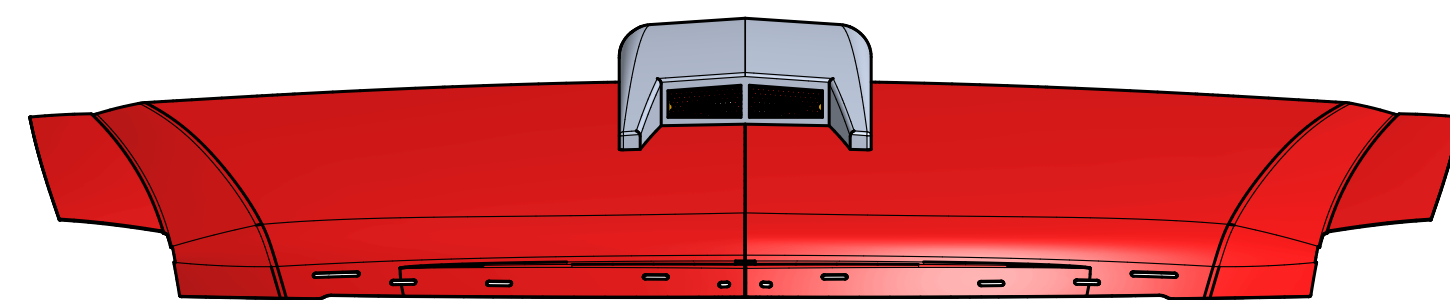
DETAIL B
GRILL FASTEN
LOCATION

HOOD SCOOP WALL
THICKNESS 8mm
ALL AROUND

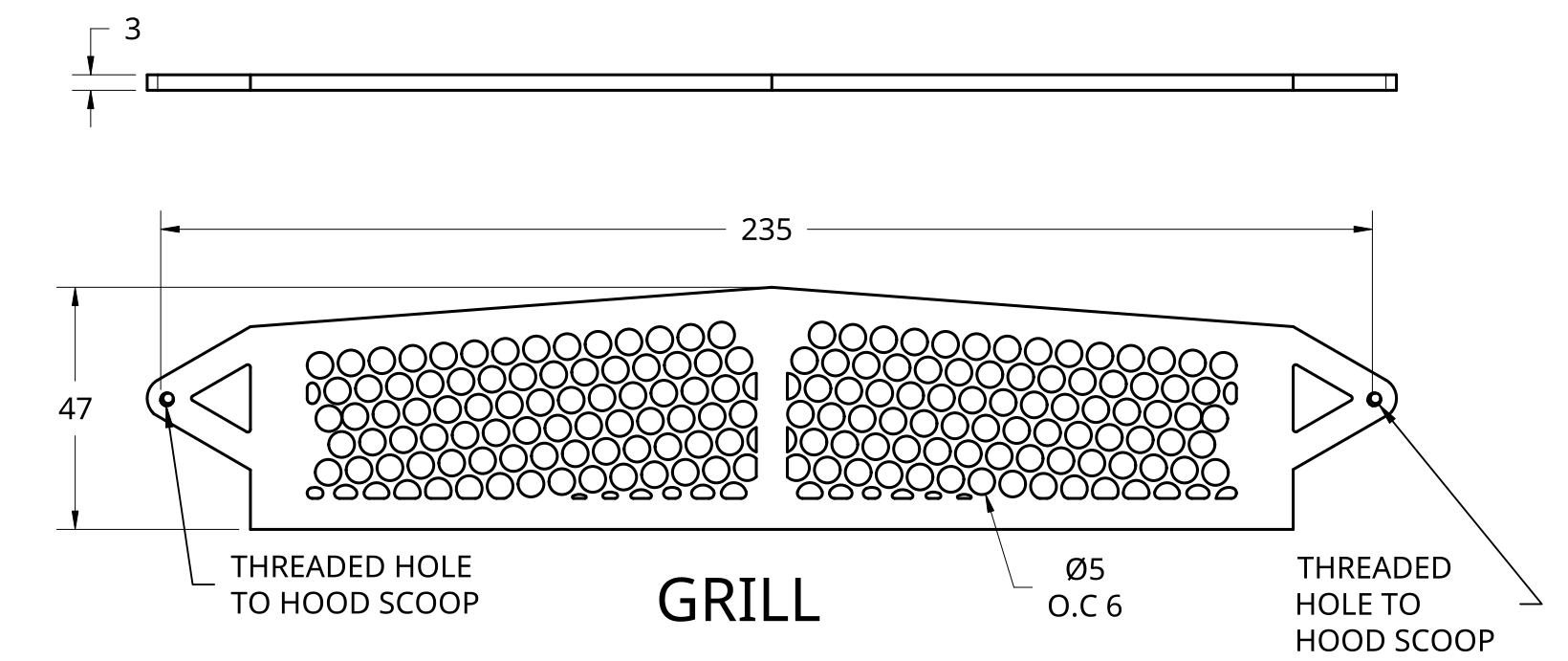


LUGS TO
FASTEN TO
HOOD

HOOD SCOOP



HOOD SCOOP BOLT LOCATION VIEW



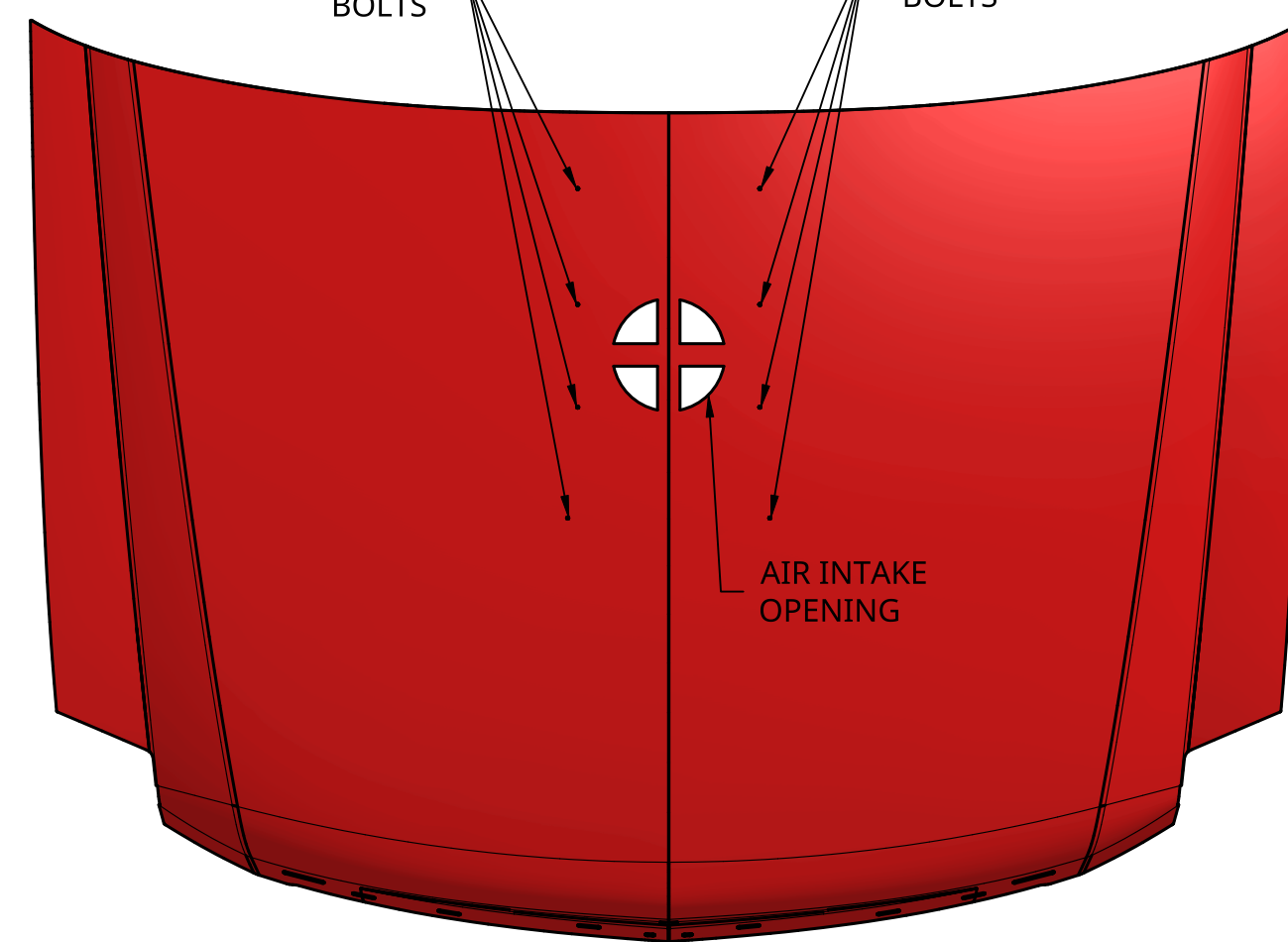
GRILL

THREADED HOLE
TO HOOD SCOOP

THREADED HOLE
TO HOOD SCOOP

HOOD LOCATOR
HOLES TO HOOD
BOLTS

HOOD LOCATOR
HOLES TO HOOD
BOLTS



AIR INTAKE
OPENING

NOTE: BOTTOM VIEW HOOD SCOOP REMOVED TO
SHOW AIR INTAKE AND BOLT ALIGNMENT HOLES

ASSEMBLY INSTRUCTIONS:

1. CUT GUIDE AND INTAKE HOLES IN HOOD
2. ALIGN GRILL LOCATOR HOLES TO HOOD SCOOP GRILL LOCATOR HOLES
3. SCREW GRILL TO HOOD SCOOP
PLACE BOLTS IN HOOD SCOOP LUGS
4. APPLY ANTI-FRICTION MATERIAL ALONG BOTTOM SURFACE OF HOOD SCOOP
5. ALIGN HOOD SCOOP BOLTS TO HOOD HOLES
6. FASTEN HOOD SCOOP WITH HEX NUTS FROM INSIDE THE HOOD
7. ALIGN GRILL LOCATOR HOLES TO HOOD SCOOP GRILL LOCATOR HOLES
8. SCREW GRILL TO HOOD SCOOP

PARTS LIST

PART #	PART NAME	QTY.	SHEET
1	HOOD SCOOP	1	1
2	GRILL	1	1
3	SCREW	10	1
4	NUT	10	1

STUDENT NAME:
LUCAS SENG

SCHOOL:
BRIGHTON HIGH SCHOOL

GRADE LEVEL: CATEGORY:

11 ENGINEERING DESIGN

EMAIL ADDRESS:
SENGLA22@BRIGHTONK12.COM

TEACHER NAME:
MATT JOURDEN