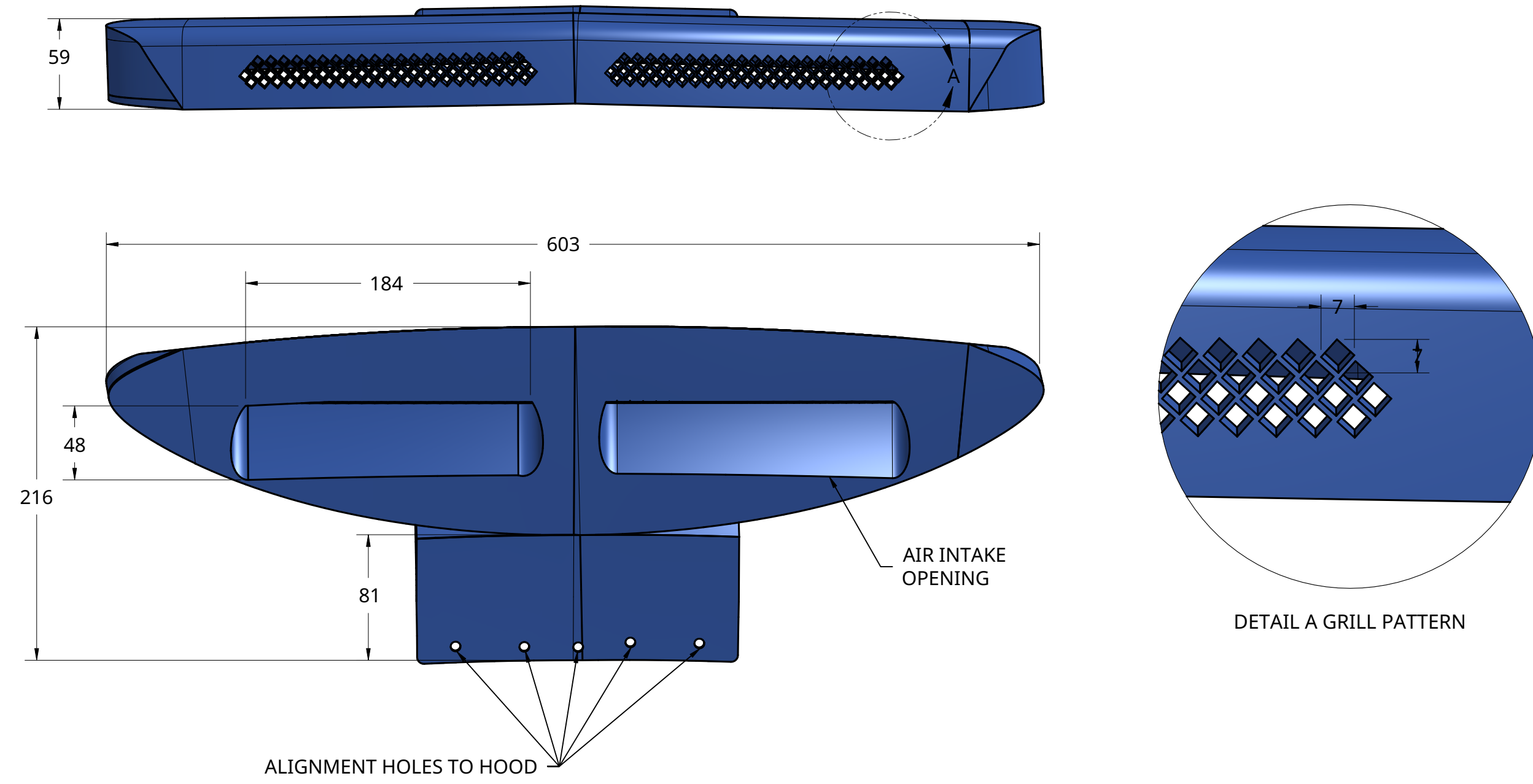
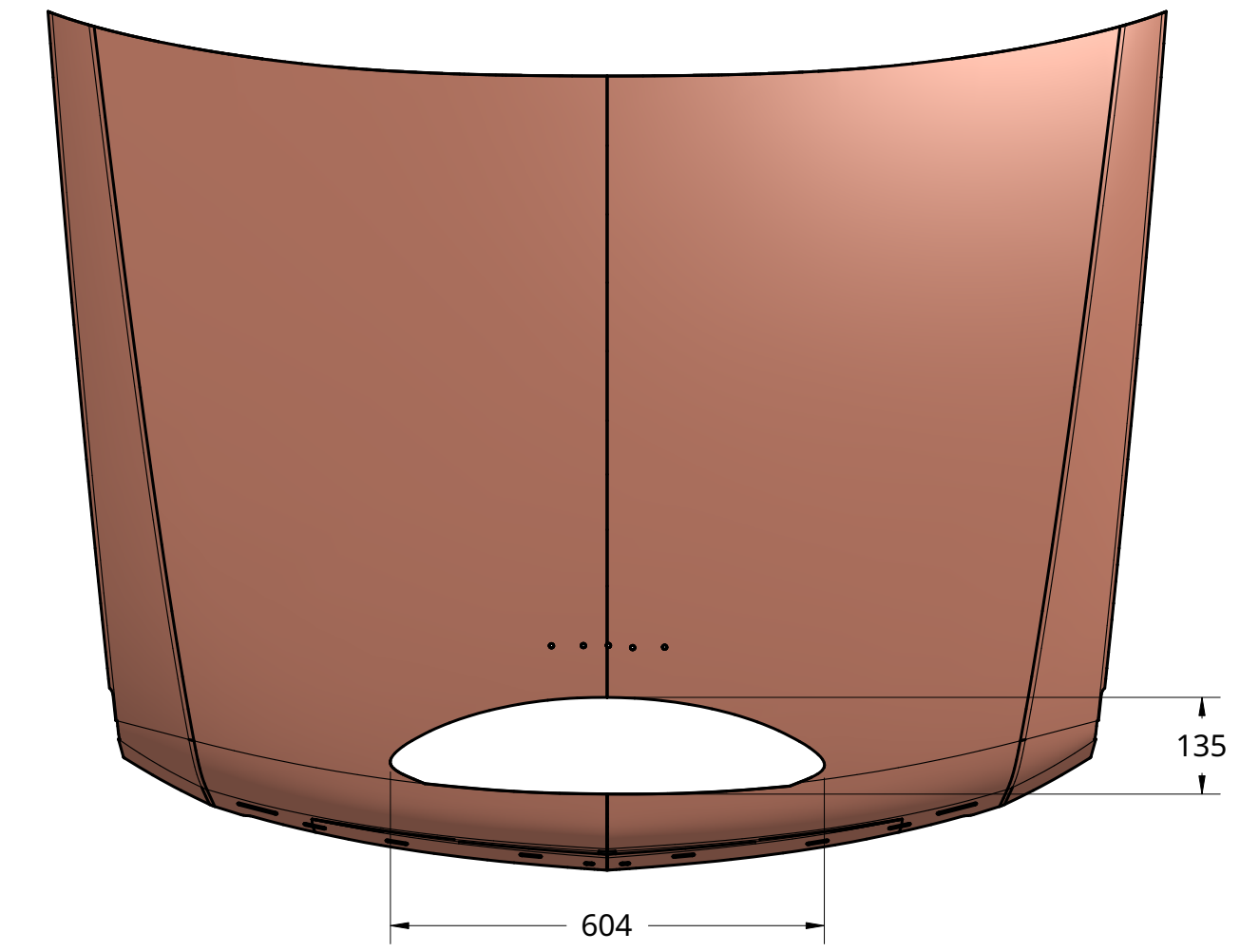


HOOD SCOOP

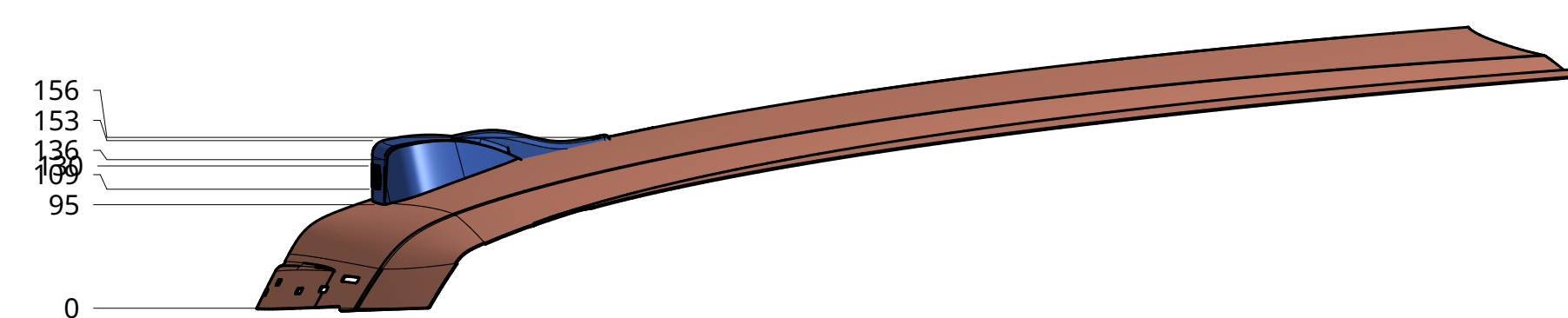
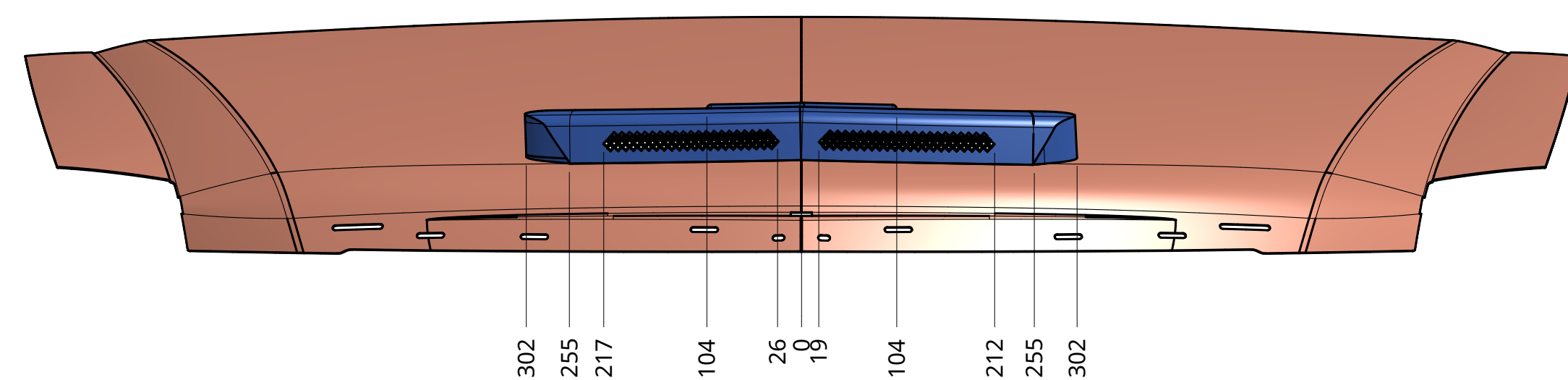
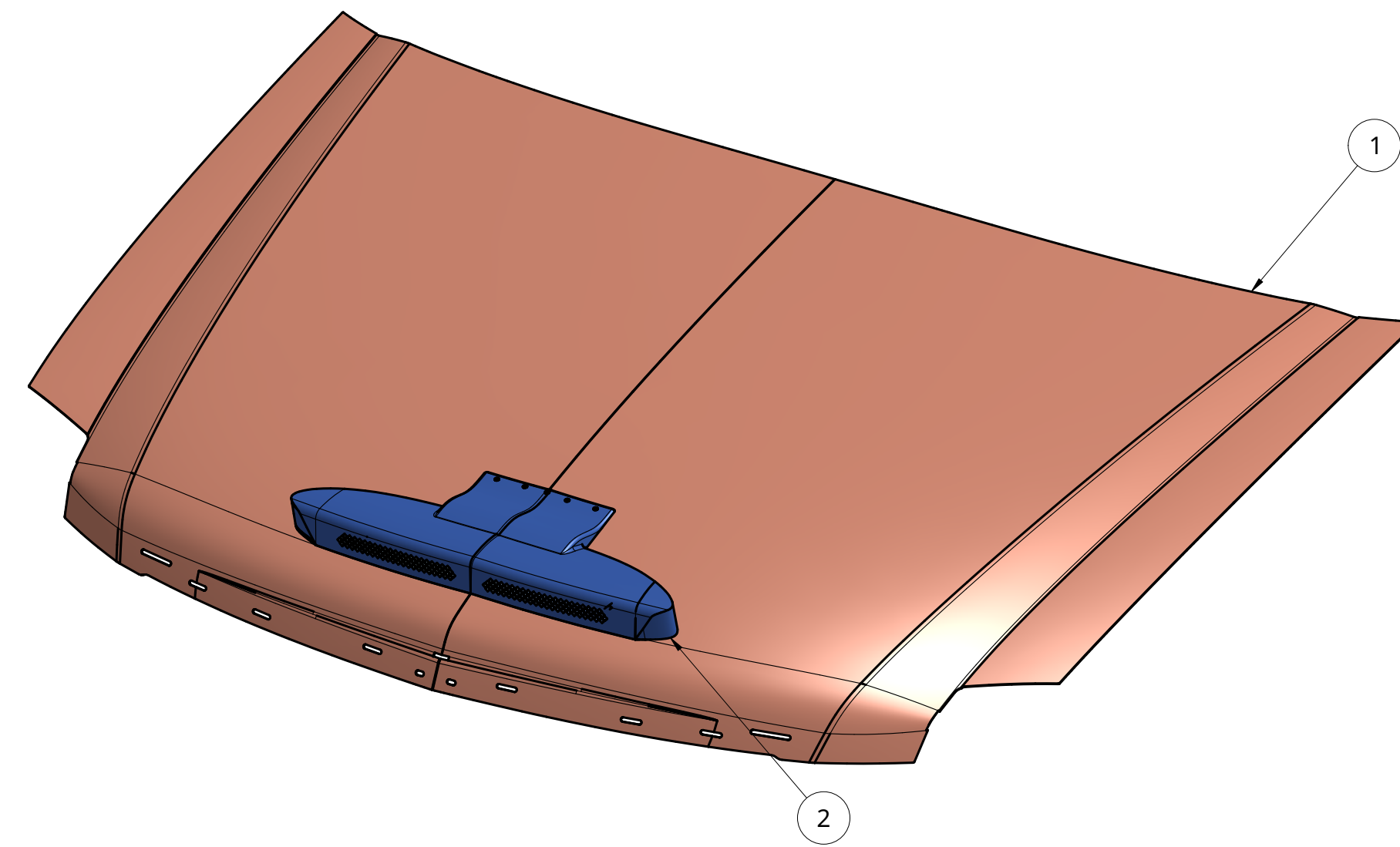
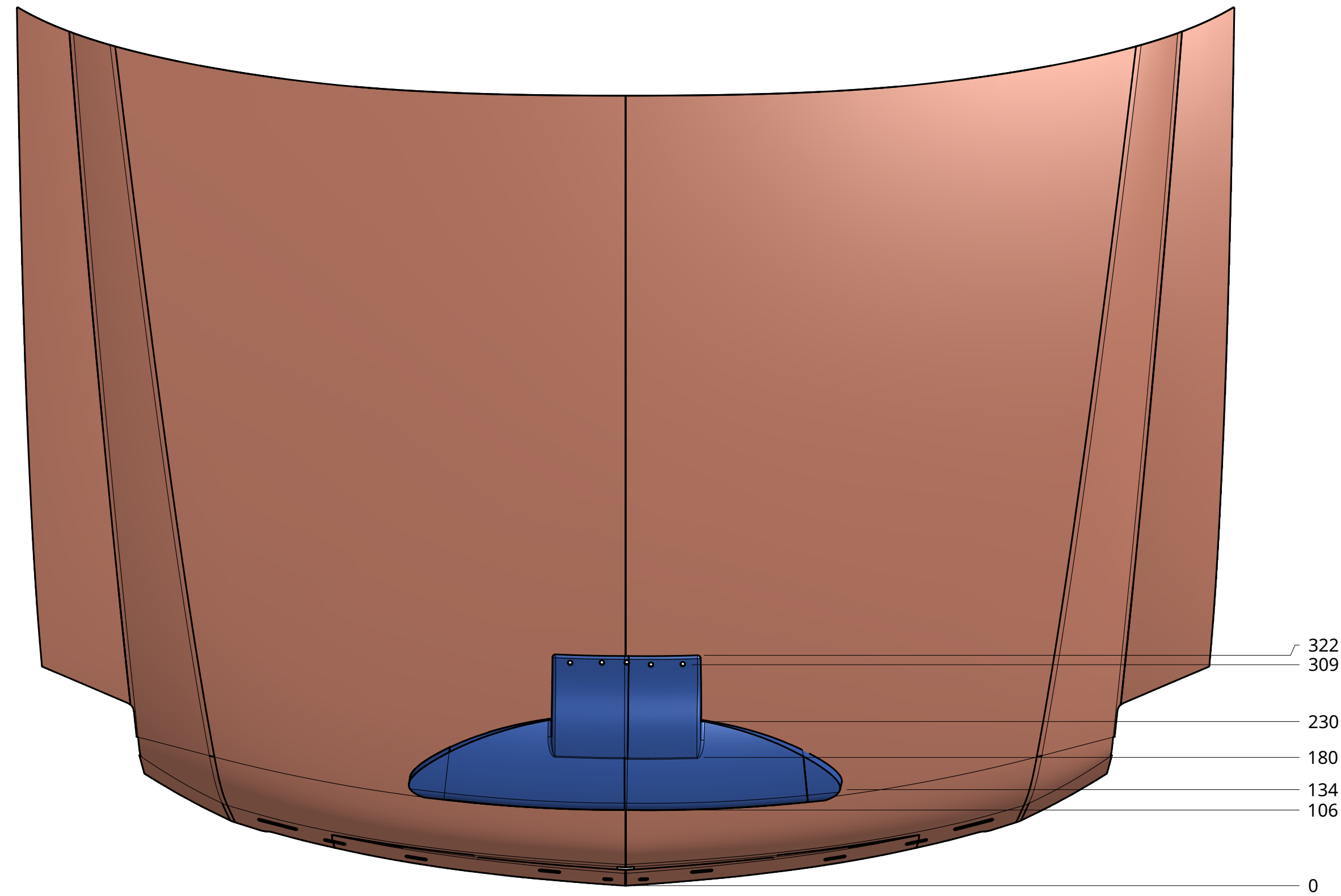


HOOD OPENING VIEW

METRIC



ASSEMBELED HOOD SCOOP VIEW



ASSEMBLY INSTRUCTIONS:
 -ADD RUBBER FRICTION BARRIER BETWEEN HOOD AND SCOOP
 -ALIGN LOCATOR PINS ON HOOD WITH HOLES ON HOOD
 -FILLET WELD SCOOP TO HOOD
 -VINYL WRAP TO DESIRED COLOR

Item	Name	QTY.
1	HOOD	1
2	SCOOP	1

STUDENT NAME: JADE REDMOND

SCHOOL: BRIGHTON HIGH SCHOOL

GRADE LEVEL: CATEGORY:

ENGINEERING DESIGN

11

EMAIL ADDRESS: REDMONDJD22@BRIGHTONK12.COM

TEACHER NAME: MATTHEW JOURDEN