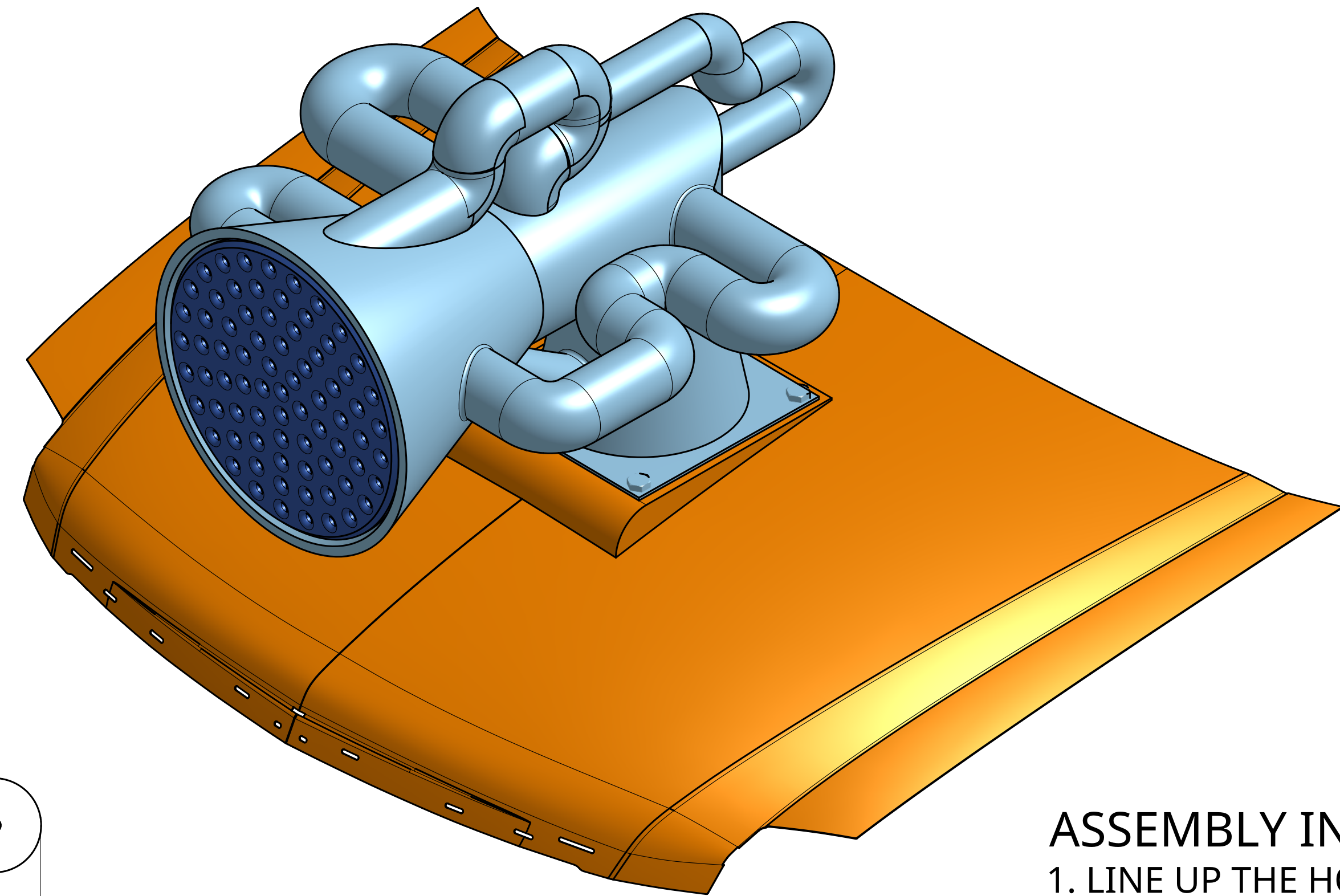
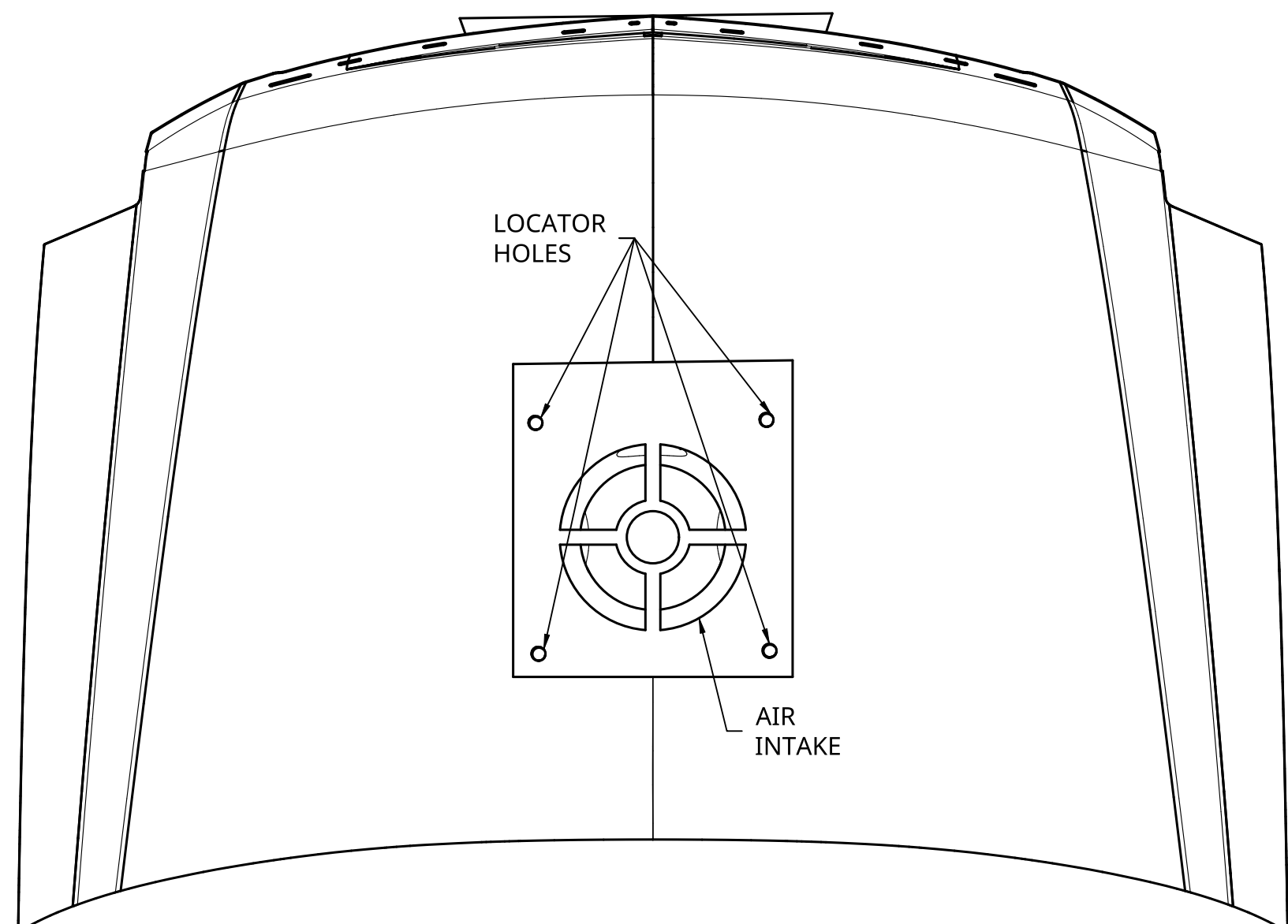
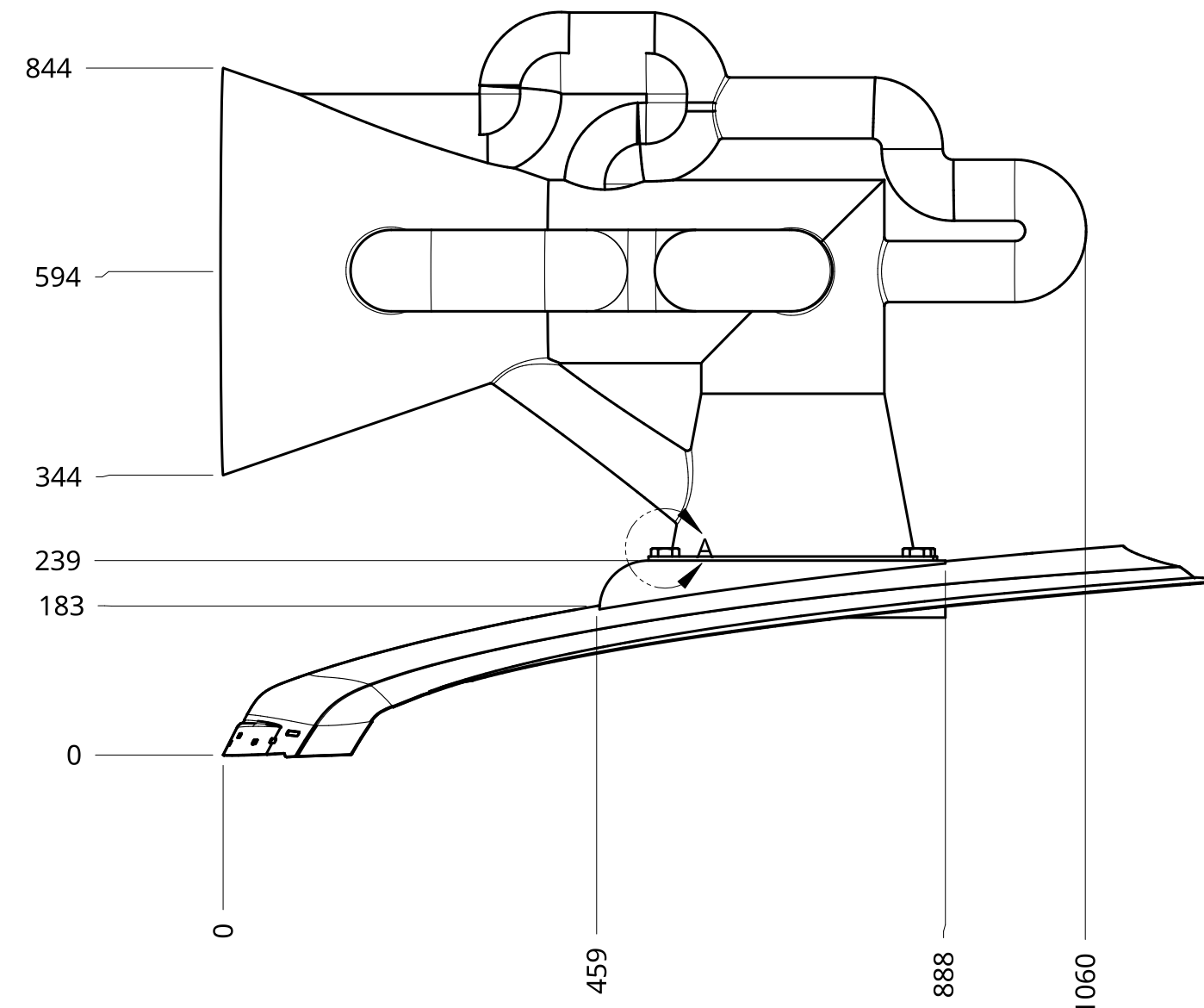
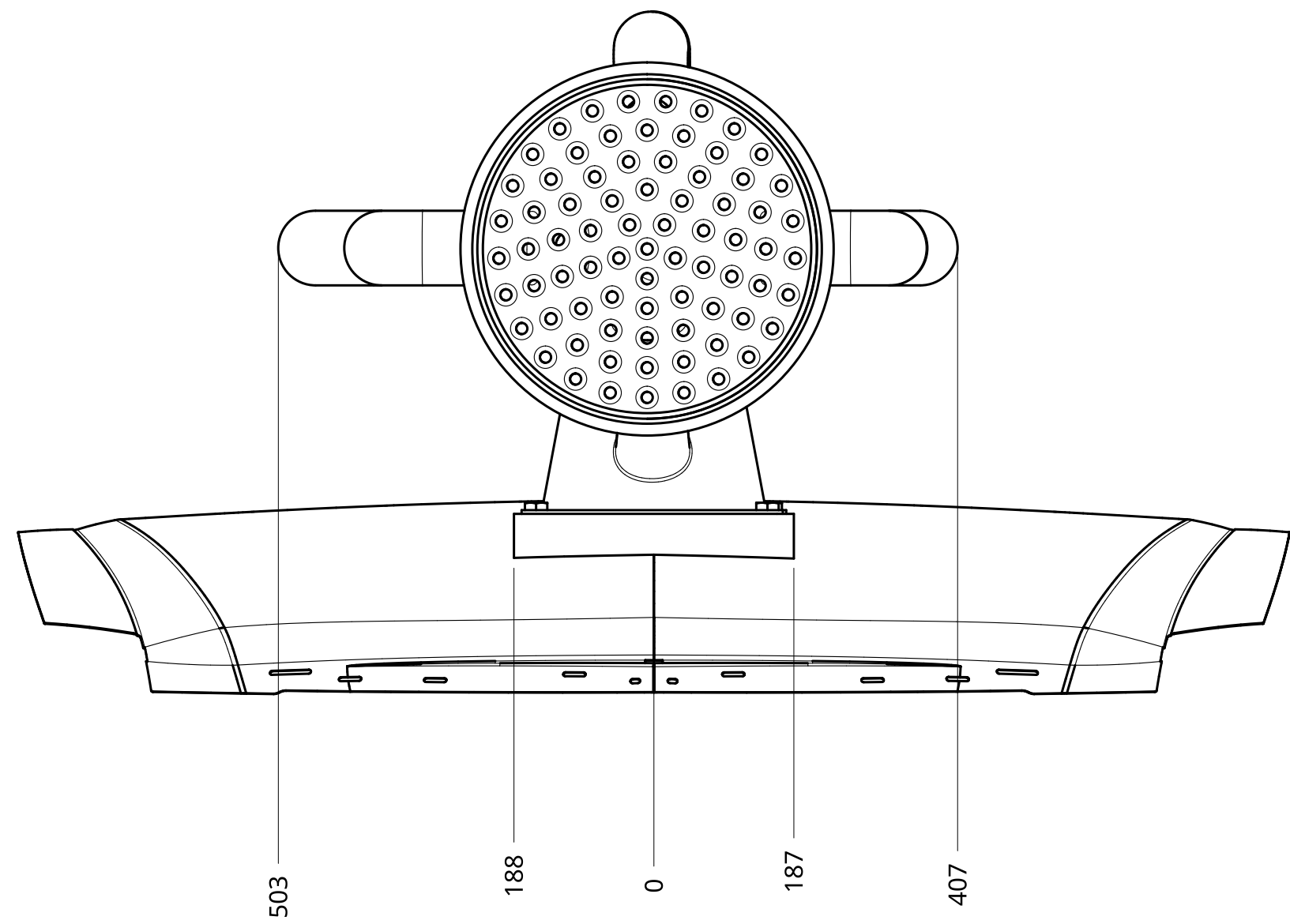
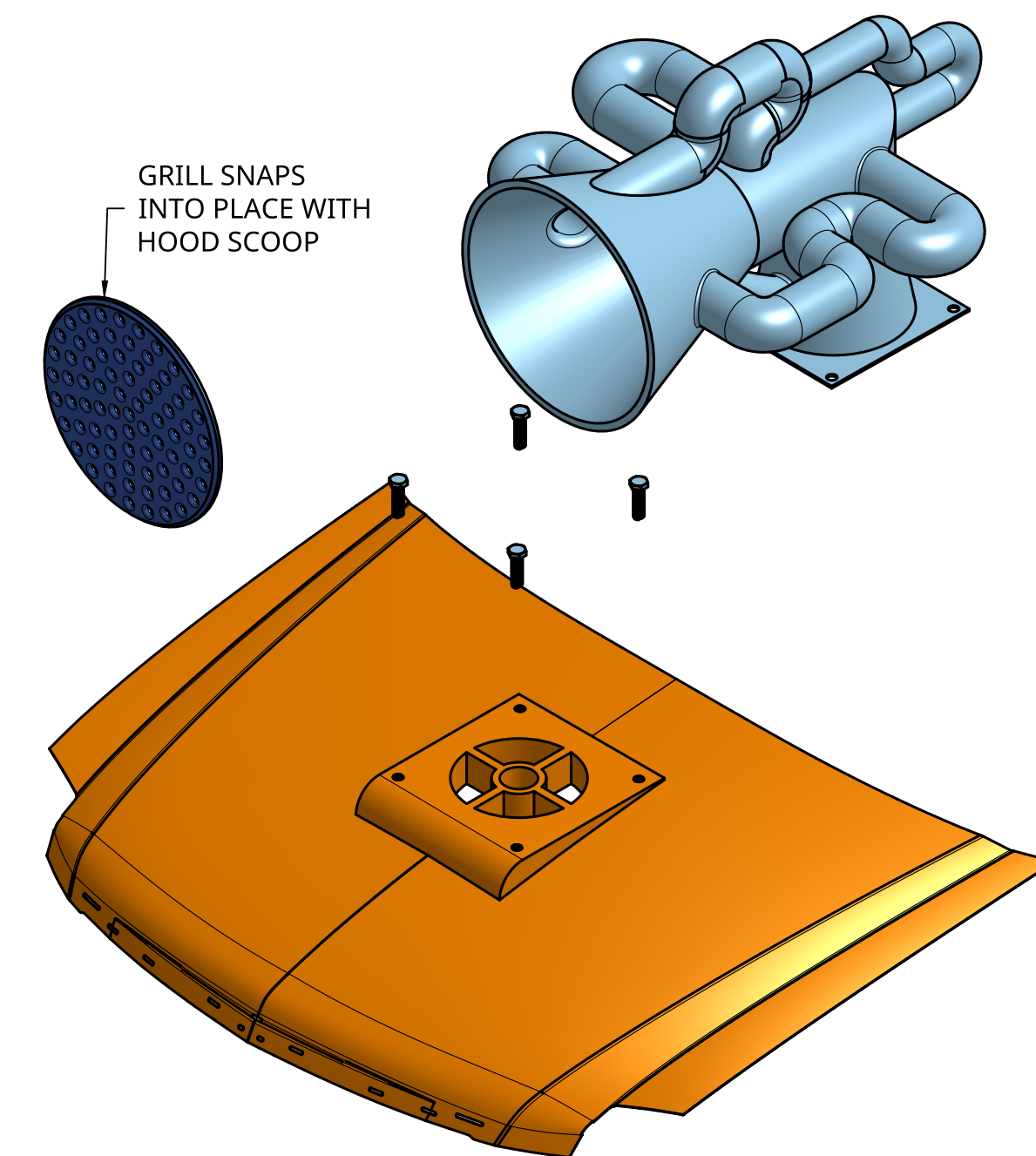


NOTE: All air tubes are 100cm with 15mm shell.



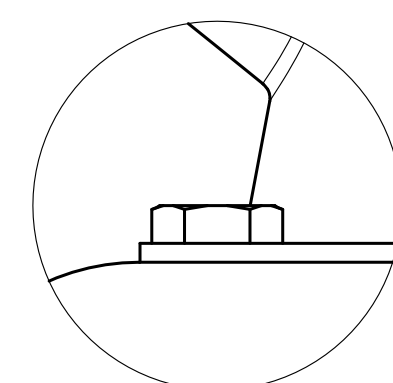
ASSEMBLY INSTRUCTIONS

1. LINE UP THE HOOD WITH THE HOODS BOLT HOLES
2. TIGHTEN DOWN THE BOLTS TO SECURE THE THE HOOD SCOOP



METRIC

PART #	PART NAME	QTY.
1	Scoop	1
2	Mesh	1
3	Bolt	4



CLOSE UP OF THE BOLT TIGHTEND DOWN

STUDENT NAME: CALEB CAMPBELL

SCHOOL: BRIGHTON HIGH SCHOOL

GRADE LEVEL: CATEGORY:

ENGINEERING DESIGN

11

EMAIL ADDRESS: campbellcd22@brightonk12.com

TEACHER NAME: Matthew Jourden