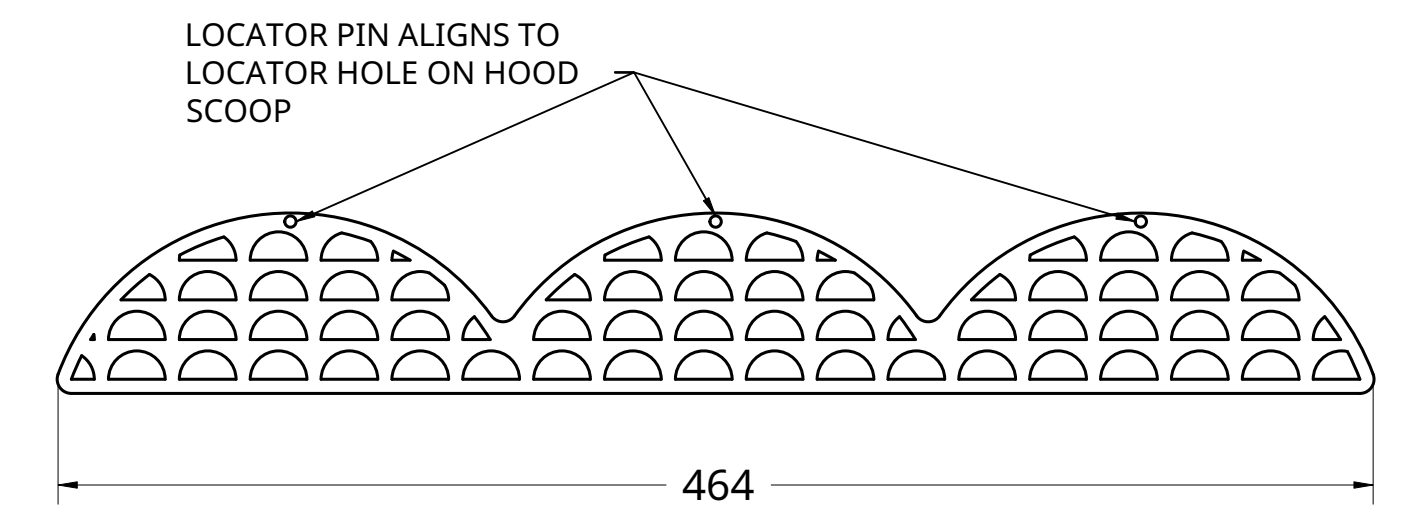
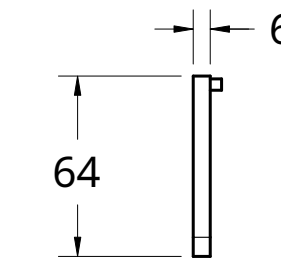
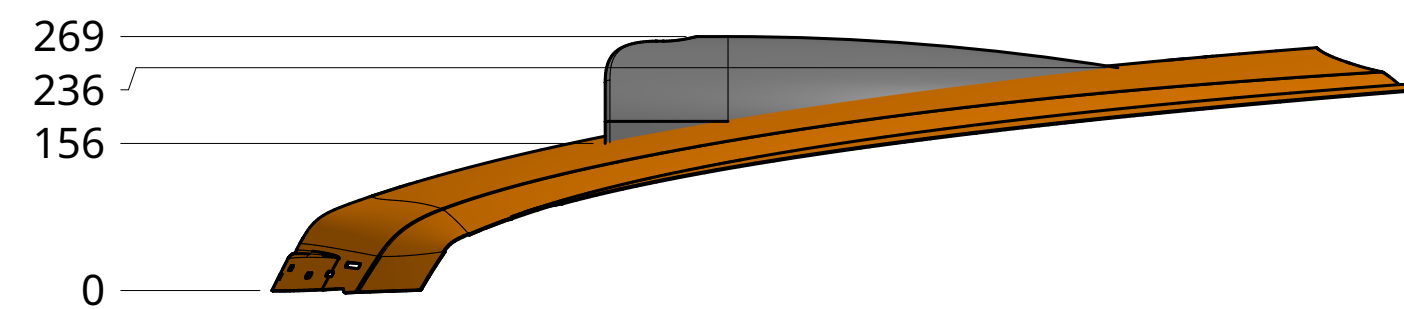
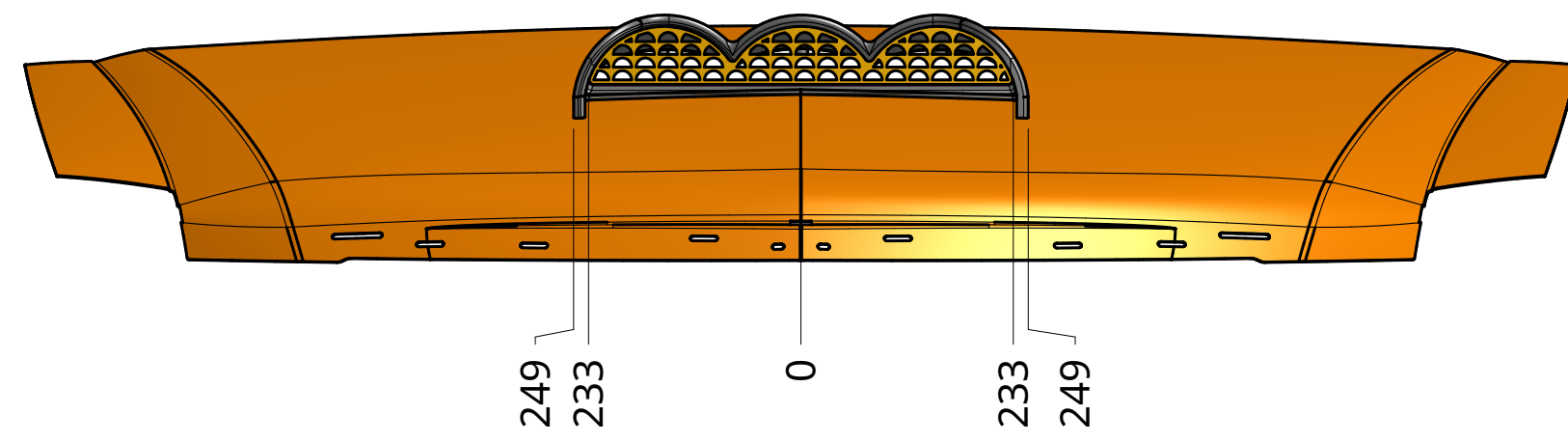
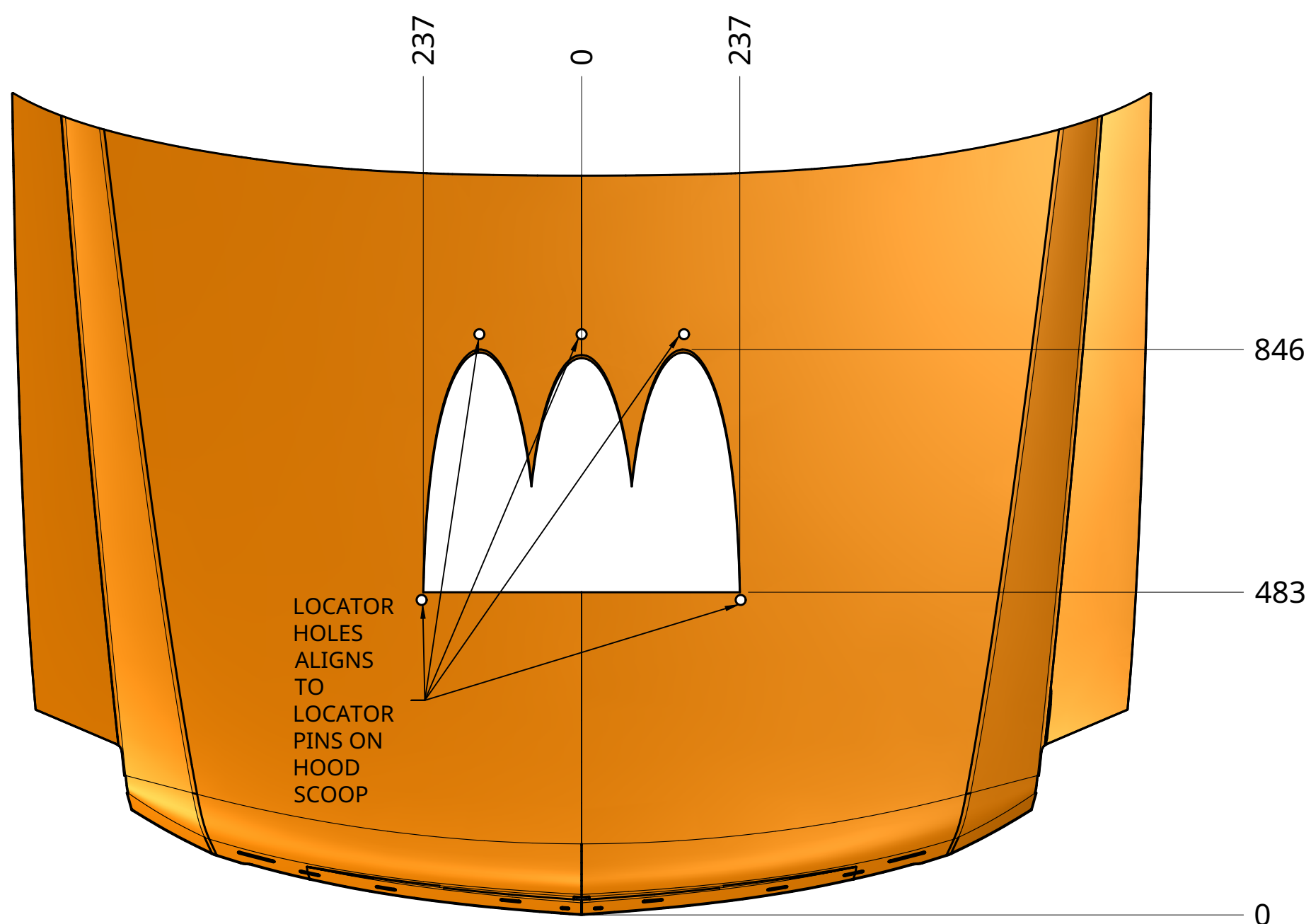


**GRILL-HOOD SCOOP
EXPLODED VIEW**



GRILL

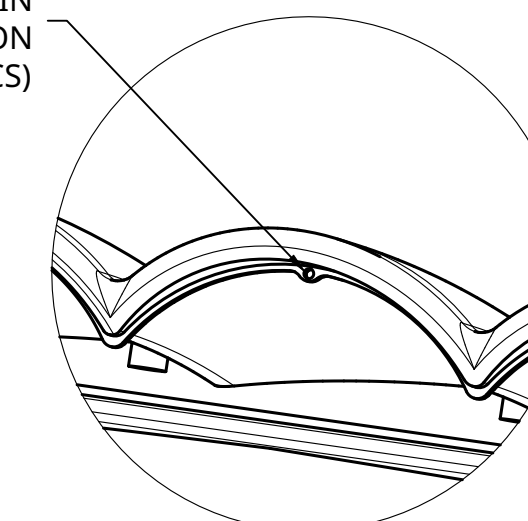
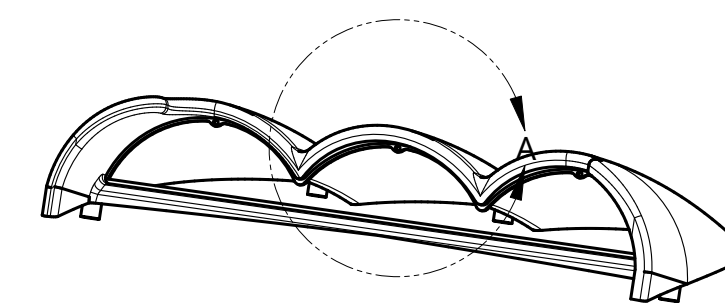


BOTTOM VIEW SHOWS FINISHED HOOD CUT OPENING

ASSEMBLY INSTRUCTIONS

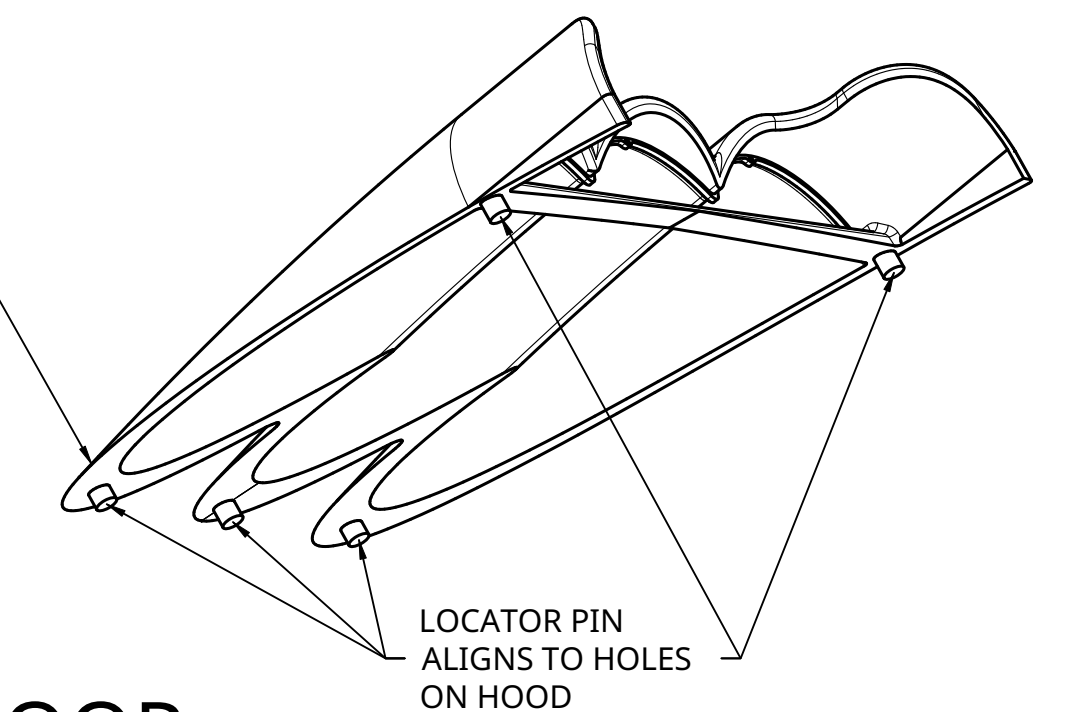
1. CUT OPENING AND LOCATOR HOLES INTO HOOD
2. APPLY ANTI-FRICTION MATERIAL ON THE BOTTOM OF THE HOOD SCOOP
3. ALIGN PINS FROM HOOD SCOOP TO LOCATOR HOLES ON HOOD (SEE IMAGE)
4. FILLET WELD OUTSIDE EDGE BETWEEN HOOD SCOOP AND HOOD
5. GRILL-HOOD SCOOP ASSEMBLY
 - A. APPLY ADHESIVE TO GRILL LOCATOR PINS
 - B. ALIGN GRILL LOCATOR HOLES TO HOOD SCOOP HOLES
 - C. PRESS FIRMLY TO SECURE SNAP FITTING
6. VINYL WRAP HOOD TO DESIRED COLOR

HOOD SCOOP HOLE ALIGNS TO GRILL PIN (NOTE: SAME LOCATION FOR ALL GRILL ARCS)



DETAIL A

APPLY ANTI-FRICTION MATERIAL TO SURFACE PRIOR TO ASSEMBLY



HOOD SCOOP

- A. PIN LOCATION ALIGNMENT TO HOOD SCOOP
- B. HOLE ALIGNMENT TO GRILL PINS

PART #	QTY	DESCRIPTION
1	1	HOOD
2	1	HOODSCOOP
3	1	GRILL

STUDENT NAME: ROBERT CROUSE
SCHOOL: BRIGHTON HIGH SCHOOL
GRADE LEVEL: CATEGORY:
DESIGN CONCEPT
12
EMAIL ADDRESS: CROUSERC21@BRIGHTONK12.COM
TEACHER NAME: JOURDEN