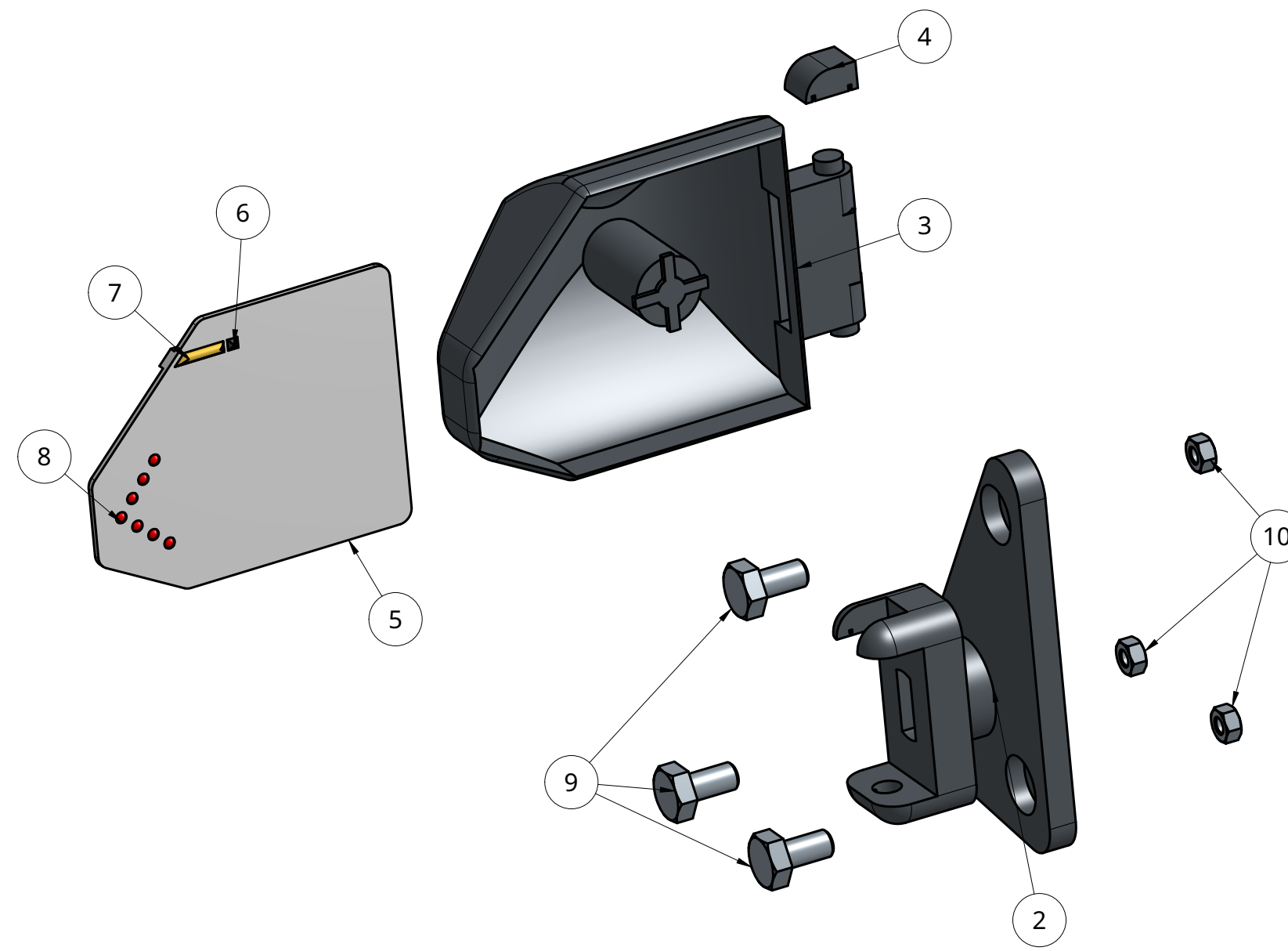
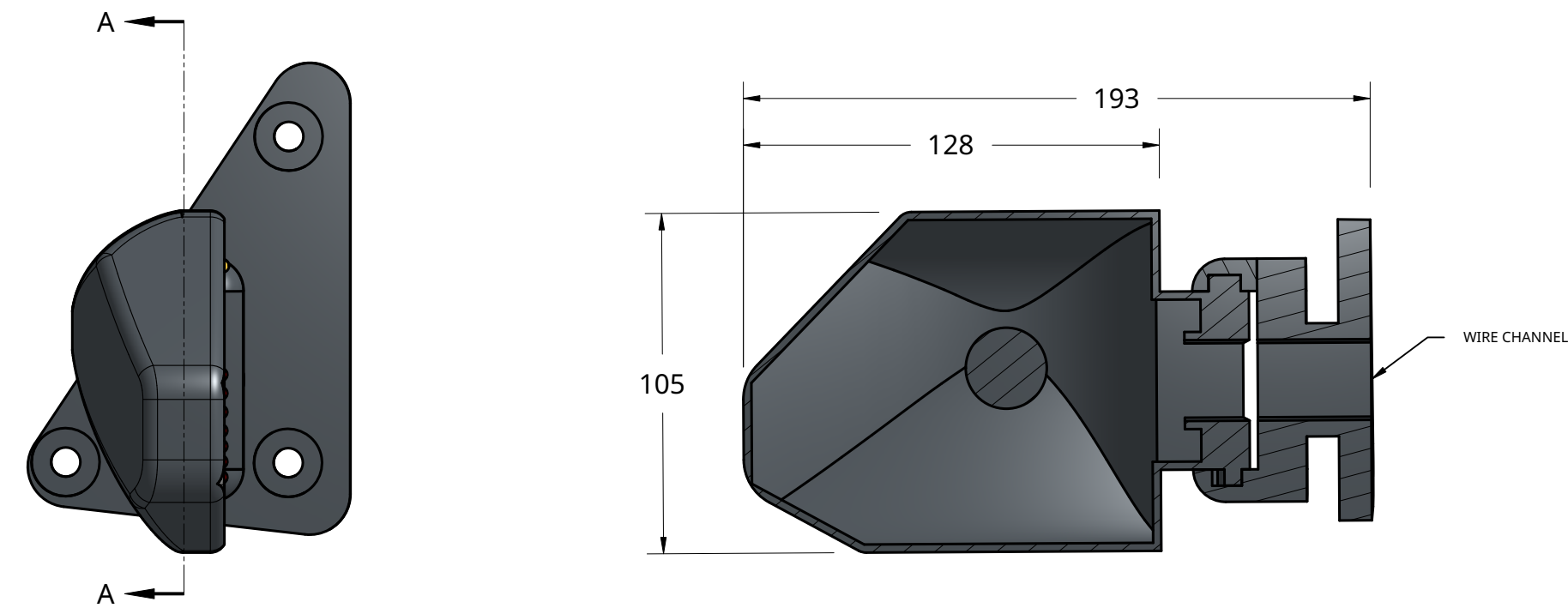


MIRROR- DOOR MOUNTING

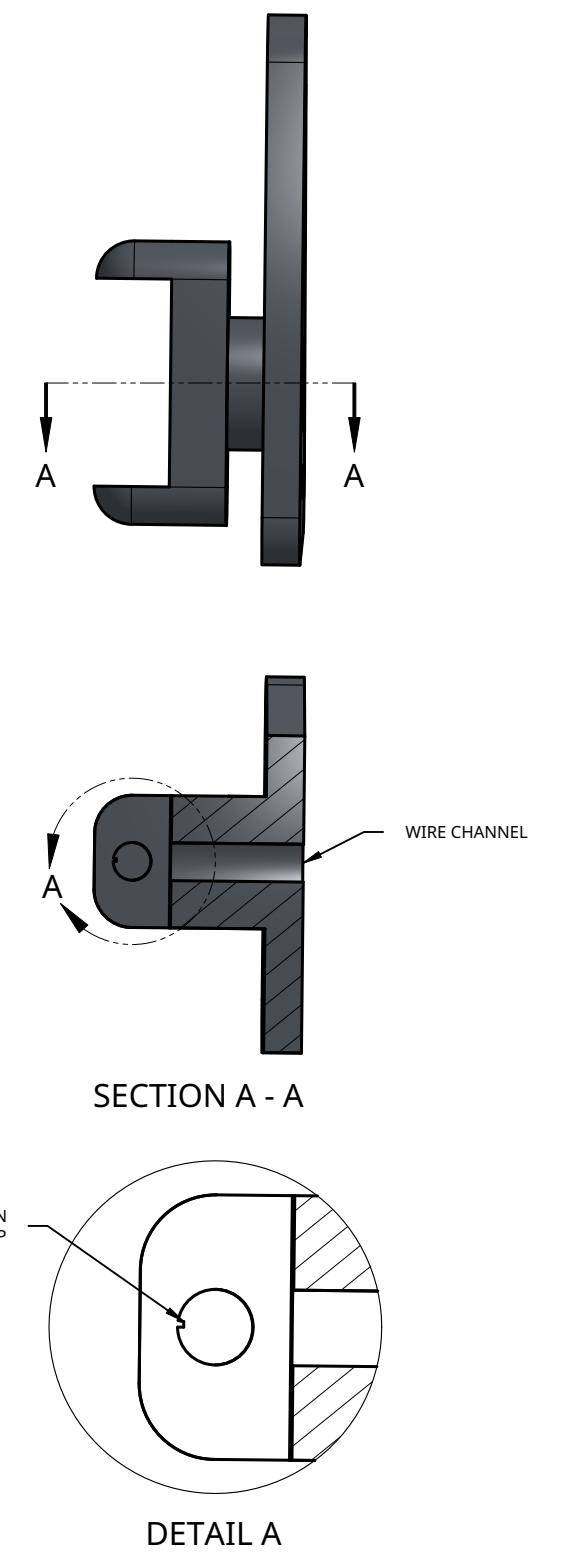


EXPLODED VIEW

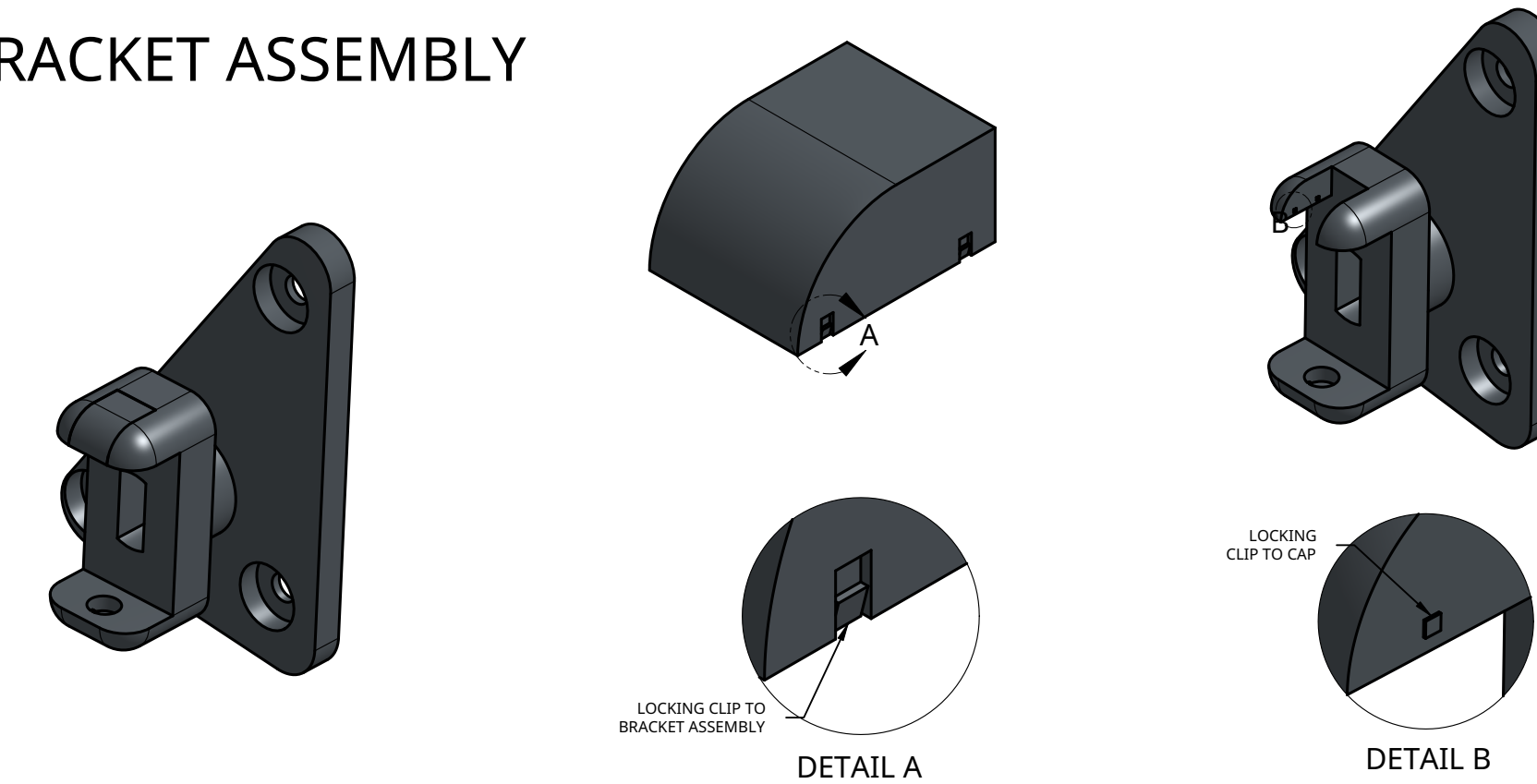
MIRROR FRAME SECTION



BRACKET SECTION



CAP-BRACKET ASSEMBLY

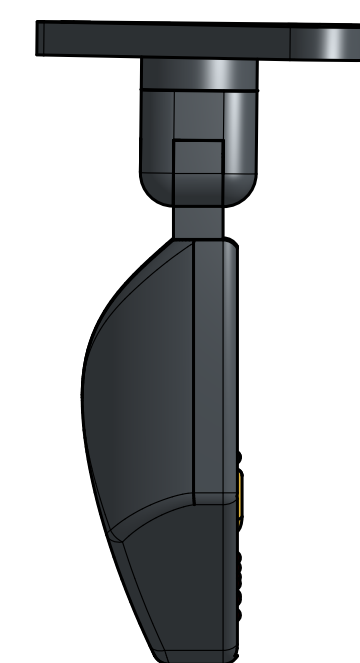


METRIC

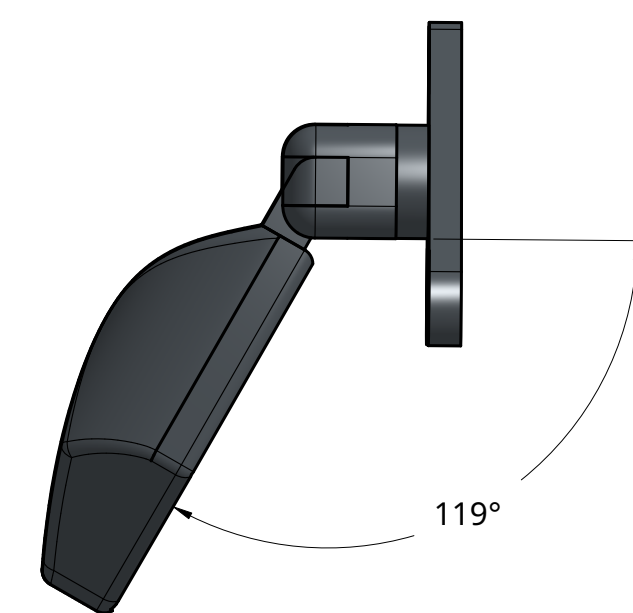
ASSEMBLY INSTRUCTIONS

- 1.) ATTACH PART #2 BRACKET TO PART #1 DOOR USING PART #9 BOLT
- 2.) SLIDE PART #3 MIRROR FRAME DOWN INTO PART #2 BRACKET BY ALIGNING HOLES
- 3.) CLICK PART #4 CAP INTO PLACE ON TOP OF PART #3 MIRROR FRAME (SEE CAP-BRACKET ASSEMBLY)
- 4.) ATTACH PART #6 BLINDSPOT SENSOR TO PART #5 REFLECTIVE MIRROR THROUGH THE USE OF AN ADHESIVE
- 5.) ATTACH PART #7 BLINDSPOT LIGHT TO PART #5 REFLECTIVE MIRROR THROUGH THE USE OF AN ADHESIVE
- 6.) ATTACH PART #8 TURN SIGNAL LIGHT TO PART #5 REFLECTIVE MIRROR THROUGH THE USE OF AN ADHESIVE. REPEAT FOR EACH LIGHT
- 7.) PART #2 - PART #7 ASSEMBLY (SEE MIRROR-BRACKET ALIGNMENT)
  - A.) ALIGN MOUNT HOLE TO MOUNT BRACKET
  - B.) PRESS FIRMLY ON MIRROR UNTIL MIRROR SNAPS INTO PLACE

OPEN VIEW

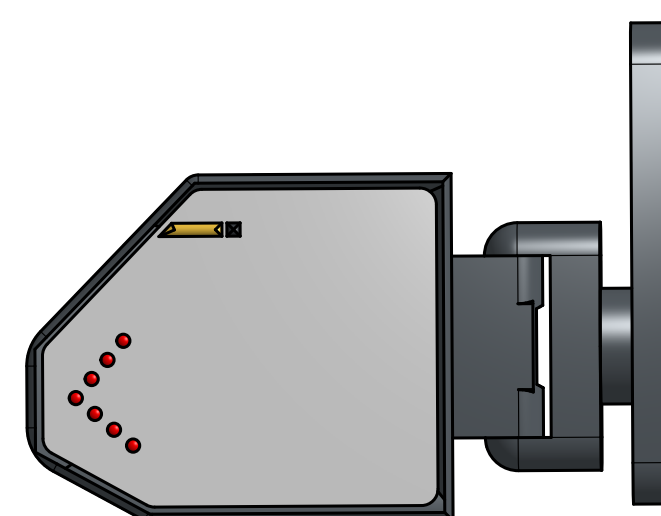
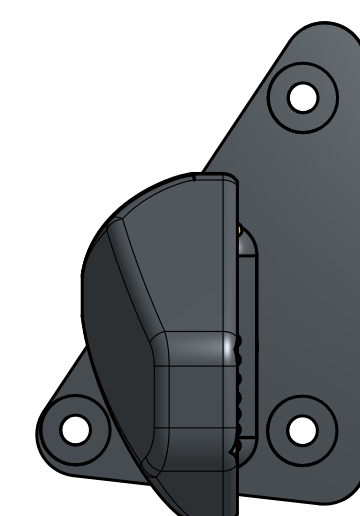
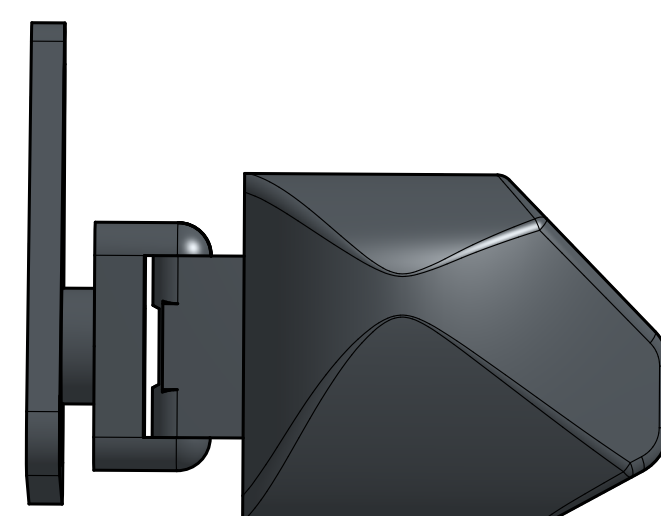


CLOSED VIEW

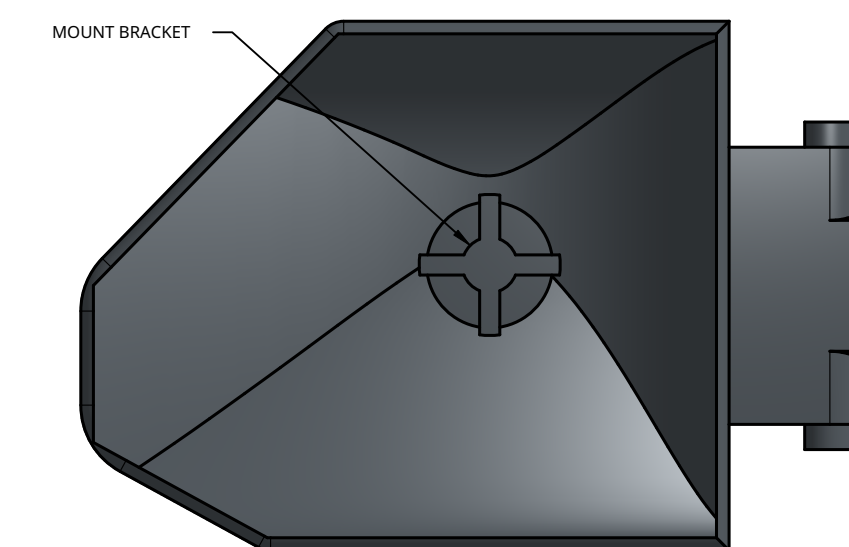
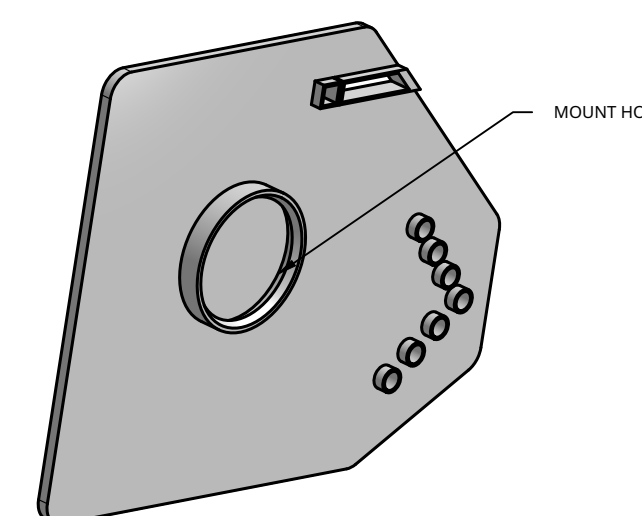
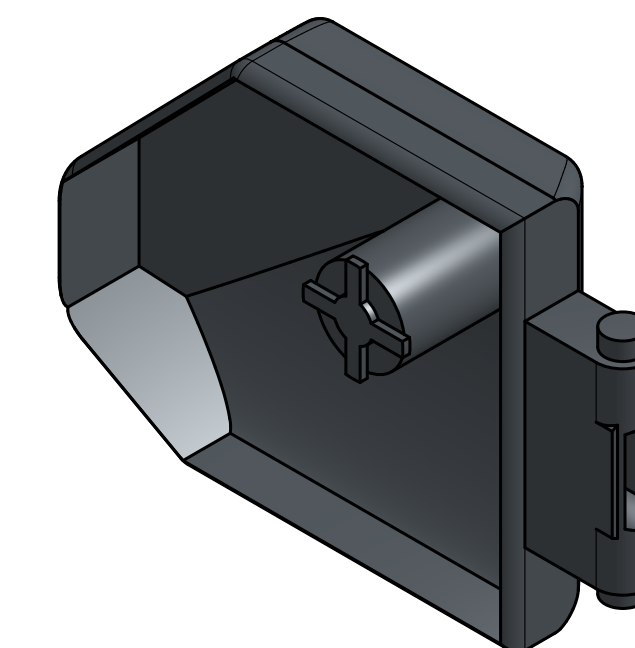
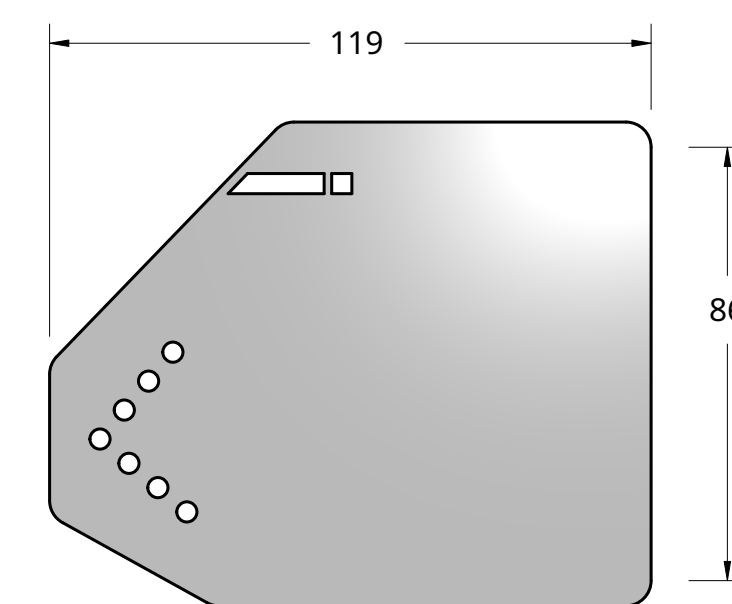


FEATURES

- 1.) MIRROR PROVIDES A FULL SIXTY DEGREES OF ROTATION TOWARD THE DOOR
- 2.) BLINDSPOT SENSOR AND INDICATOR
- 3.) TURN SIGNAL LIGHTS
- 4.) REMOVABLE REFLECTIVE MIRROR
- 5.) MIRROR ROTATES THROUGH AN ELECTRIC MOTOR



MIRROR-BRACKET ALIGNMENT



ITEM	QUANTITY	PART #
DOOR	1	1
BRACKET	1	2
MIRROR FRAME	1	3
CAP	1	4
REFLECTIVE MIRROR	1	5
BLINDSPOT SENSOR	1	6
BLINDSPOT LIGHT	1	7
TURN SIGNAL LIGHT	7	8
BOLT	3	9
NUT	3	10

STUDENT NAME: CARSON TAYLOR

SCHOOL: BRIGHTON HIGH SCHOOL

GRADE LEVEL: CATEGORY:

DESIGN CONCEPT

12

EMAIL ADDRESS: TAYLORCJ21@BRIGHTONK12.COM

TEACHER NAME: Mr. JOURDEN