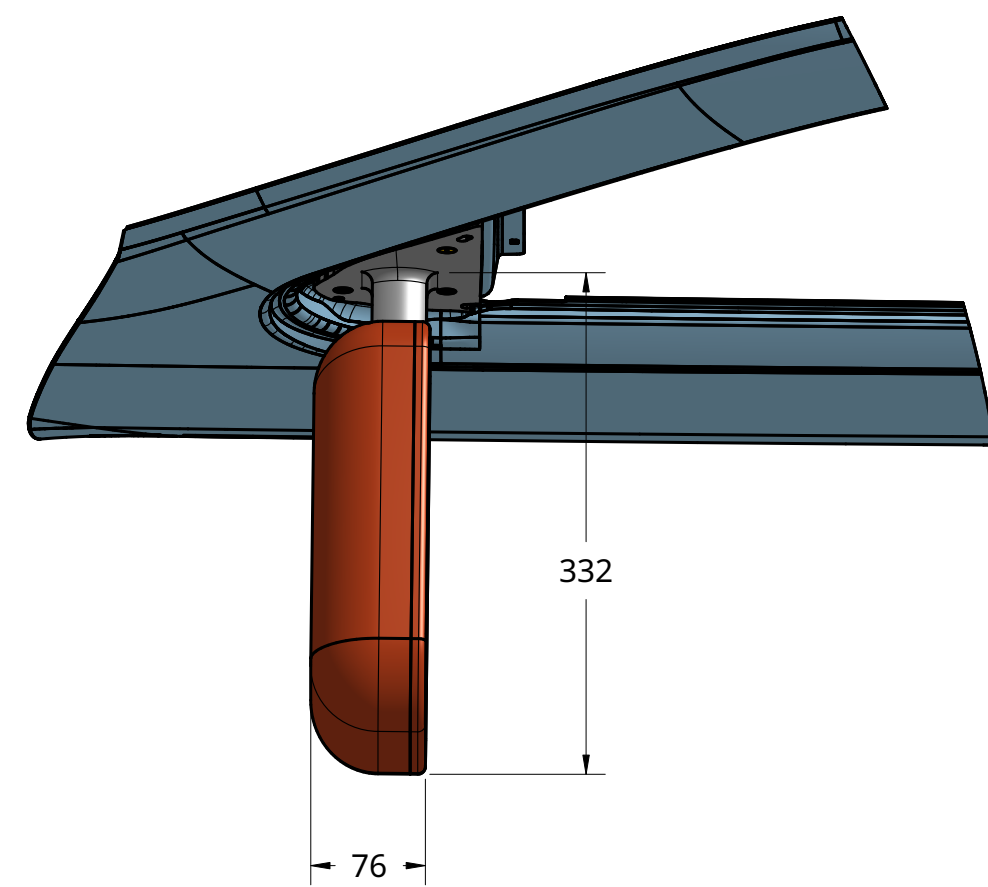
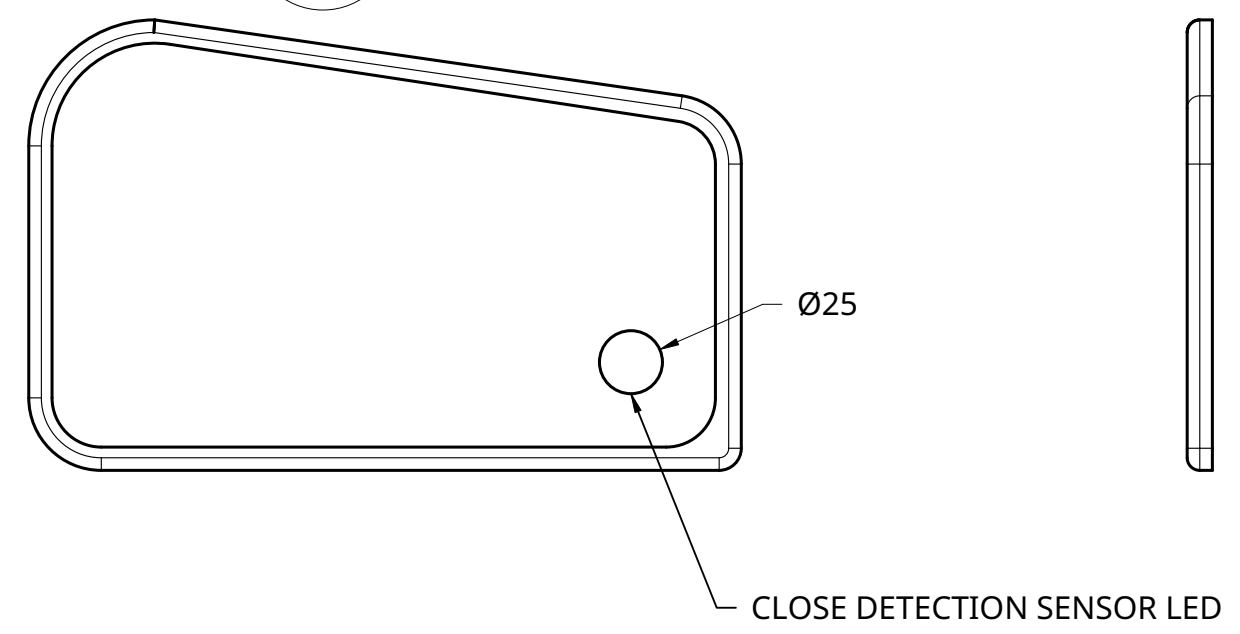


BOLT LOCATIONS

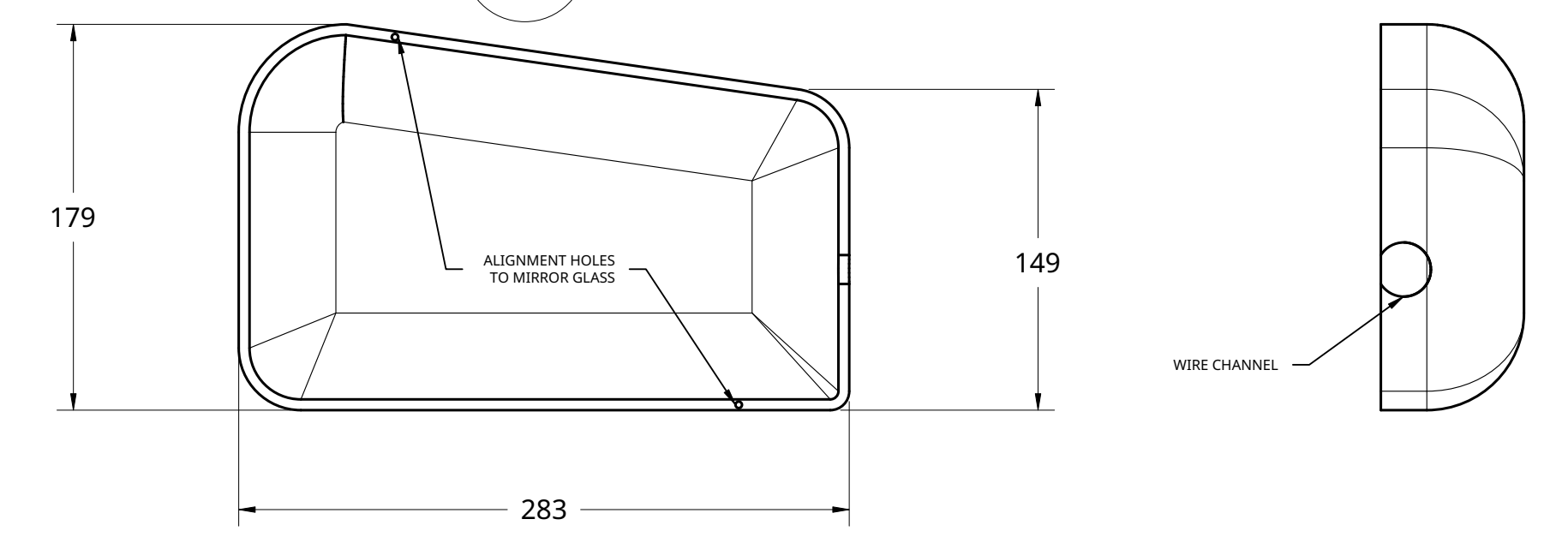


MIRROR

1 MIRROR FRONT



2 MIRROR BACK

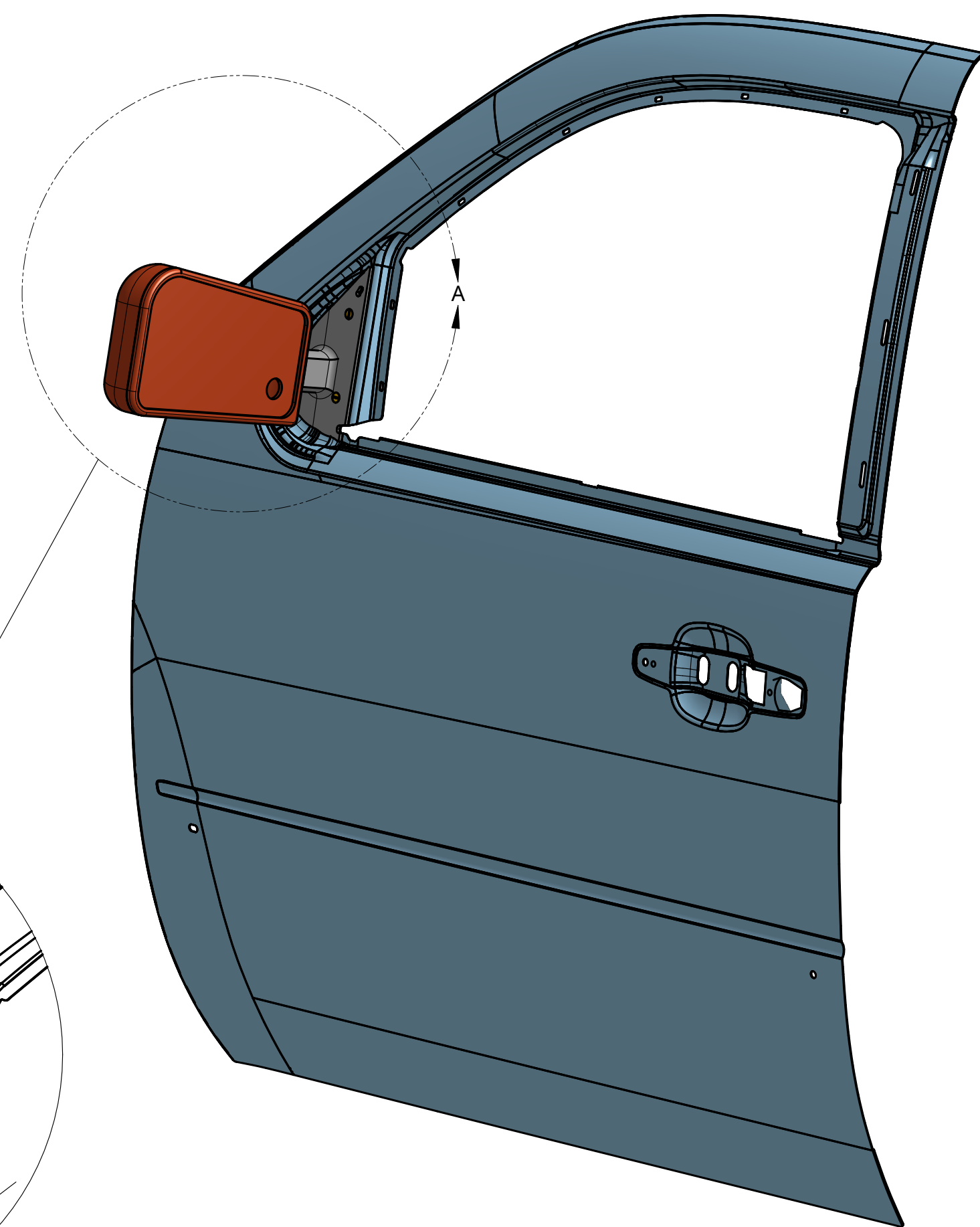


ASSEMBLY INSTRUCTIONS:

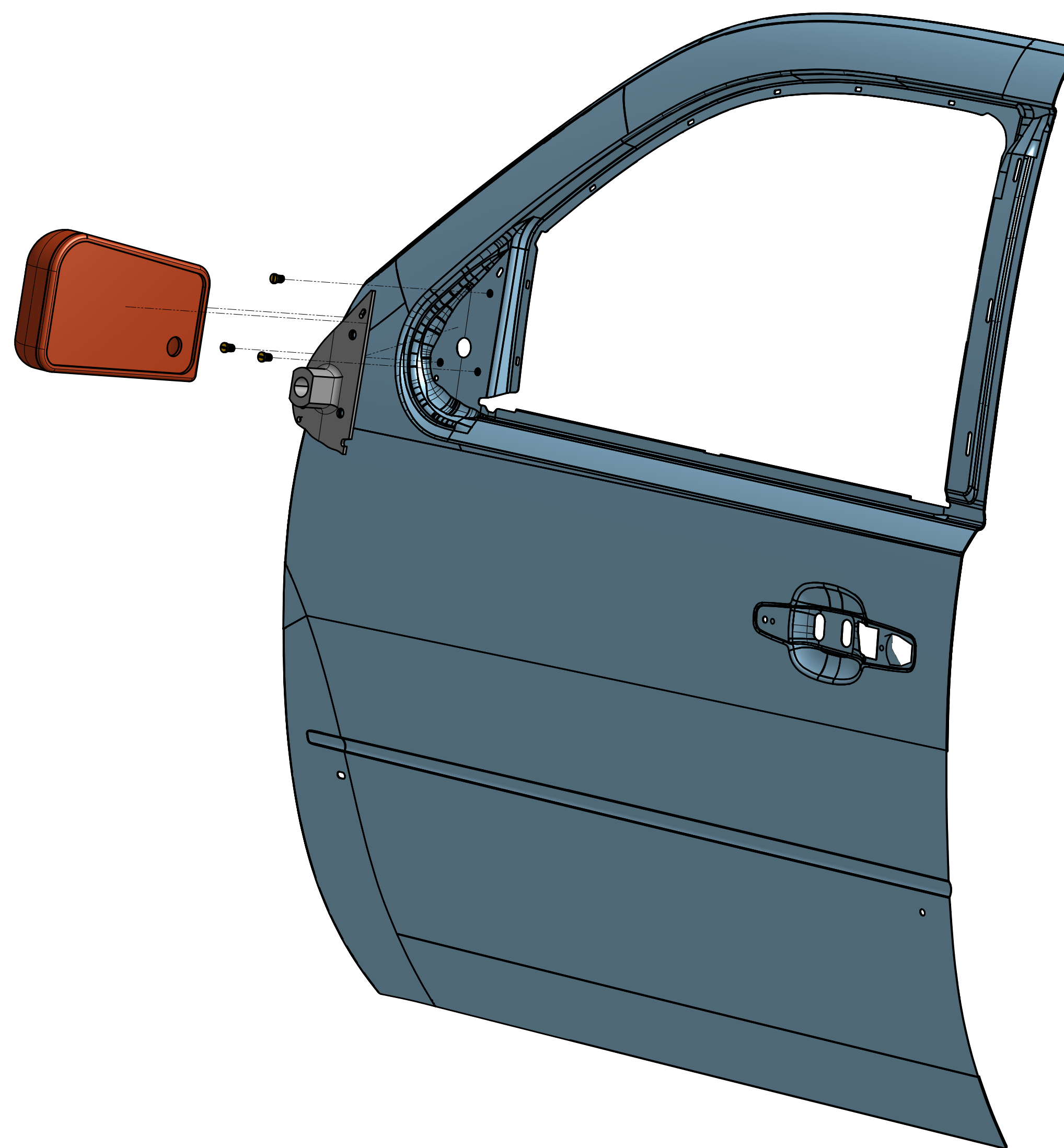
PLACE MIRROR FRONT WITH ADHESIVE ON TO MIRROR BACK

WELD MIRROR ONTO THE MIRROR ARM

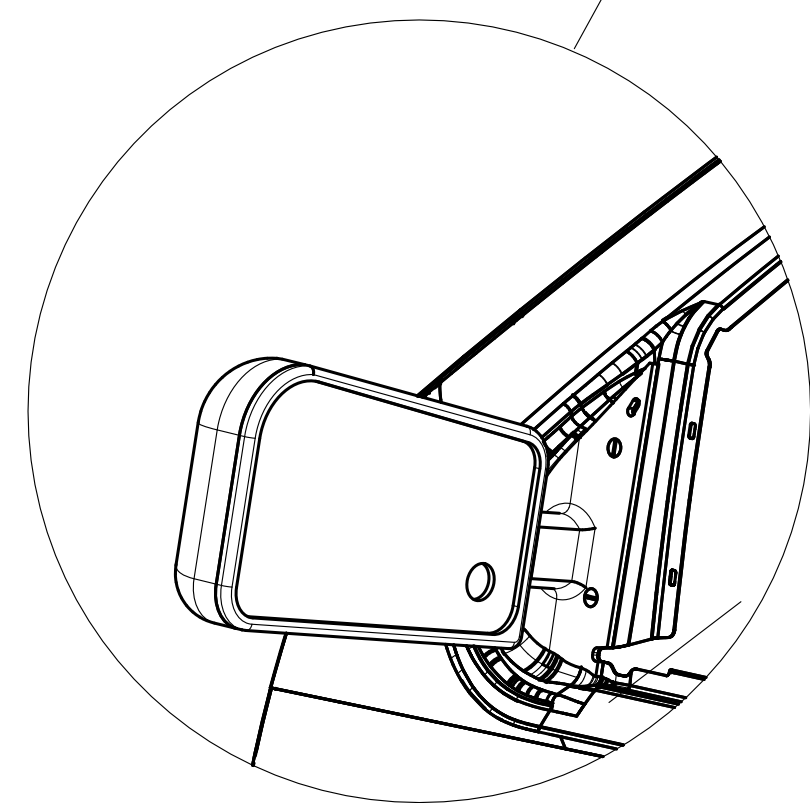
ATTACH ARM MIRROR WITH NUTS AND BOLT



FULLY ASSEMBLED DOOR PANEL



EXPLODED ASSEMBLY



DETAIL A

METRIC

SIDE MIRROR		
PART NAME	PART #	QTY
MIRROR FRONT	1	1
MIRROR BACK	2	1
BOLT	3	3
NUT	4	3

STUDENT NAME:

SCHOOL: Brighton Highschool

GRADE LEVEL: CATEGORY:

DESIGN CONCEPT

12

EMAIL ADDRESS:

TEACHER NAME: