

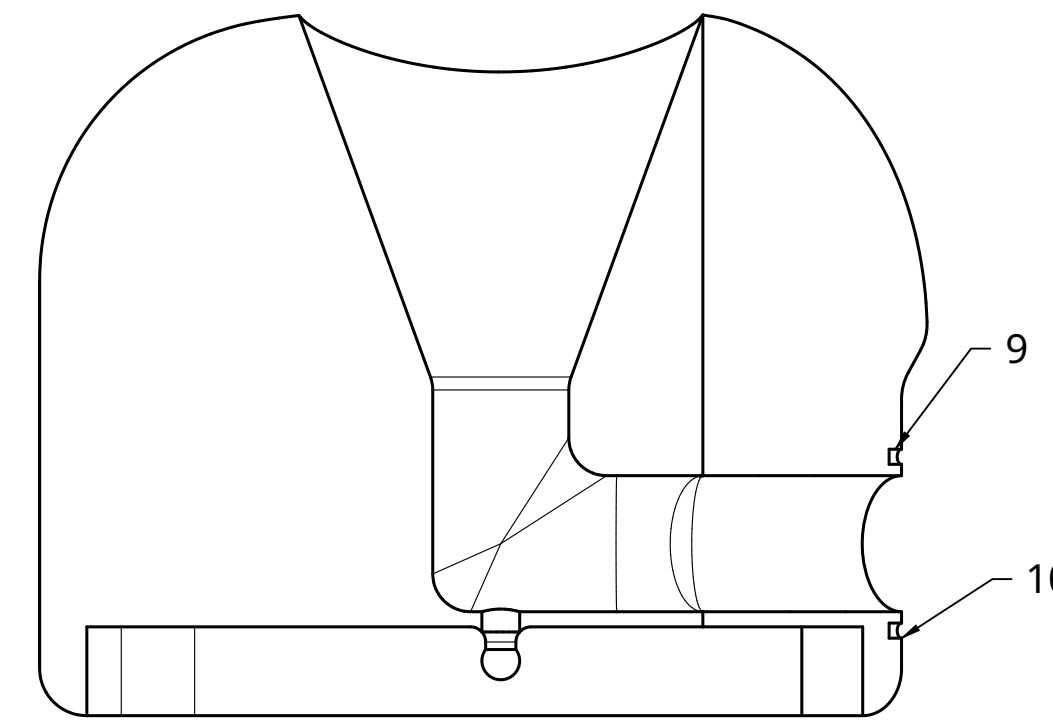
FULL ASSEMBLY

ASSEMBLY INSTRUCTIONS:

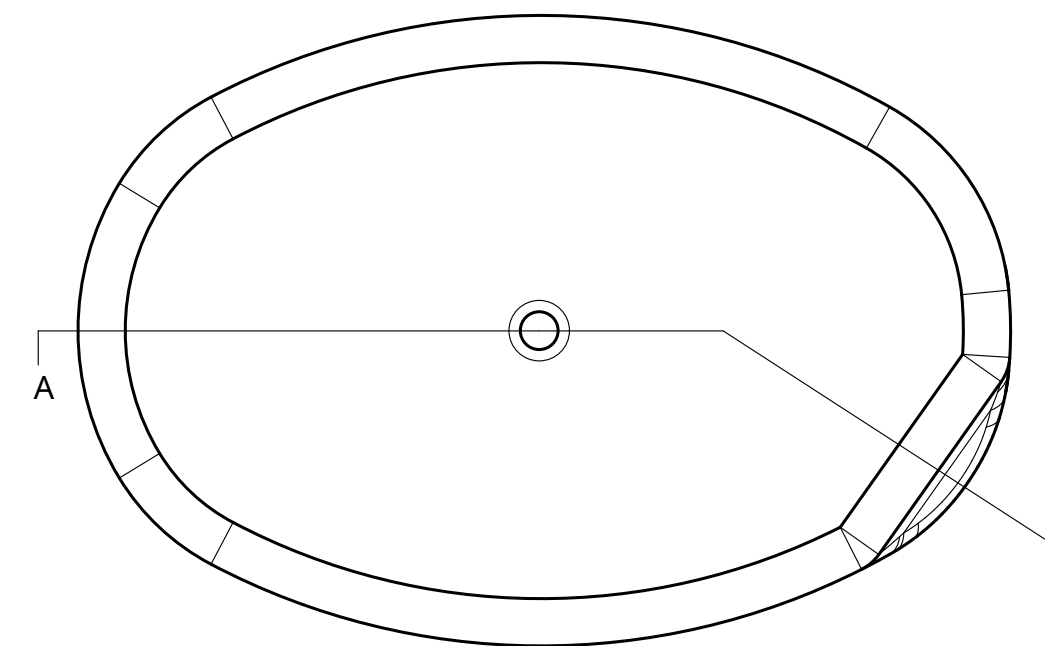
1. Attach the grill to the mirror using an adhesive.
2. Align the holes 1-3 on the door mount with holes 4-6 on the door, and attach using the nuts and bolts. (See FULL EXPLODE)
3. Align pins C and D on the mirror neck with holes 7 and 8 on the door mount and weld the two parts together. (See MIRROR NECK)
4. Align pins A and B on the mirror neck with holes 9 and 10 on the mirror shell and weld the two parts together. (See MIRROR NECK)
5. Attach the socket to the back of the mirror with an adhesive, and then attach the two parts to the mirror shell. (See MIRROR EXPLODE)



MIRROR SECTION

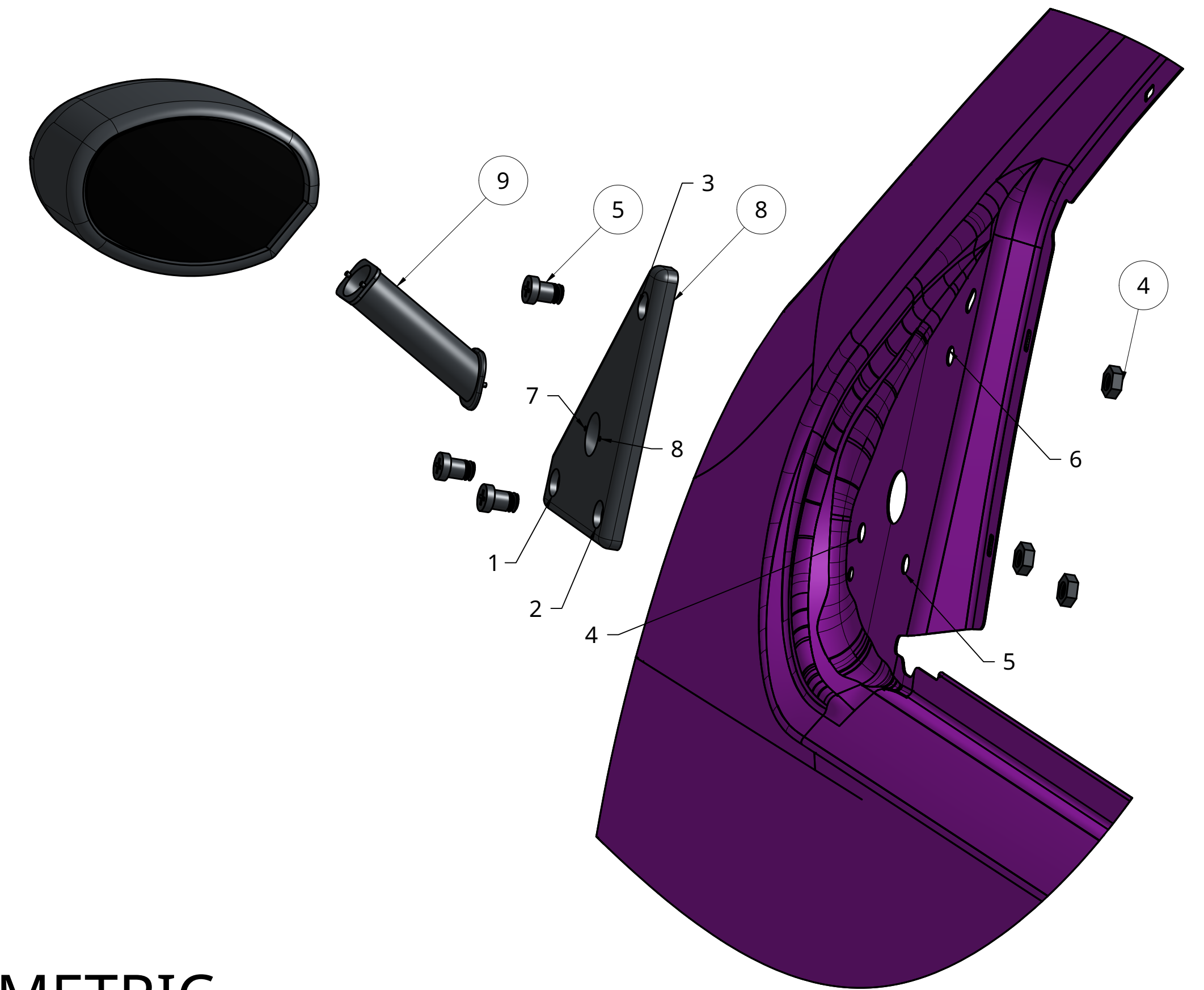


Section A-A



MIRROR WIDTH: 123.37 CM.
MIRROR HEIGHT: 83.40 CM.
MIRROR DEPTH: 93.66 CM.

FULL EXPLODE

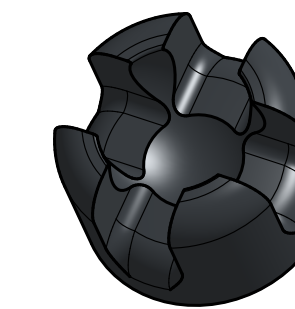


METRIC

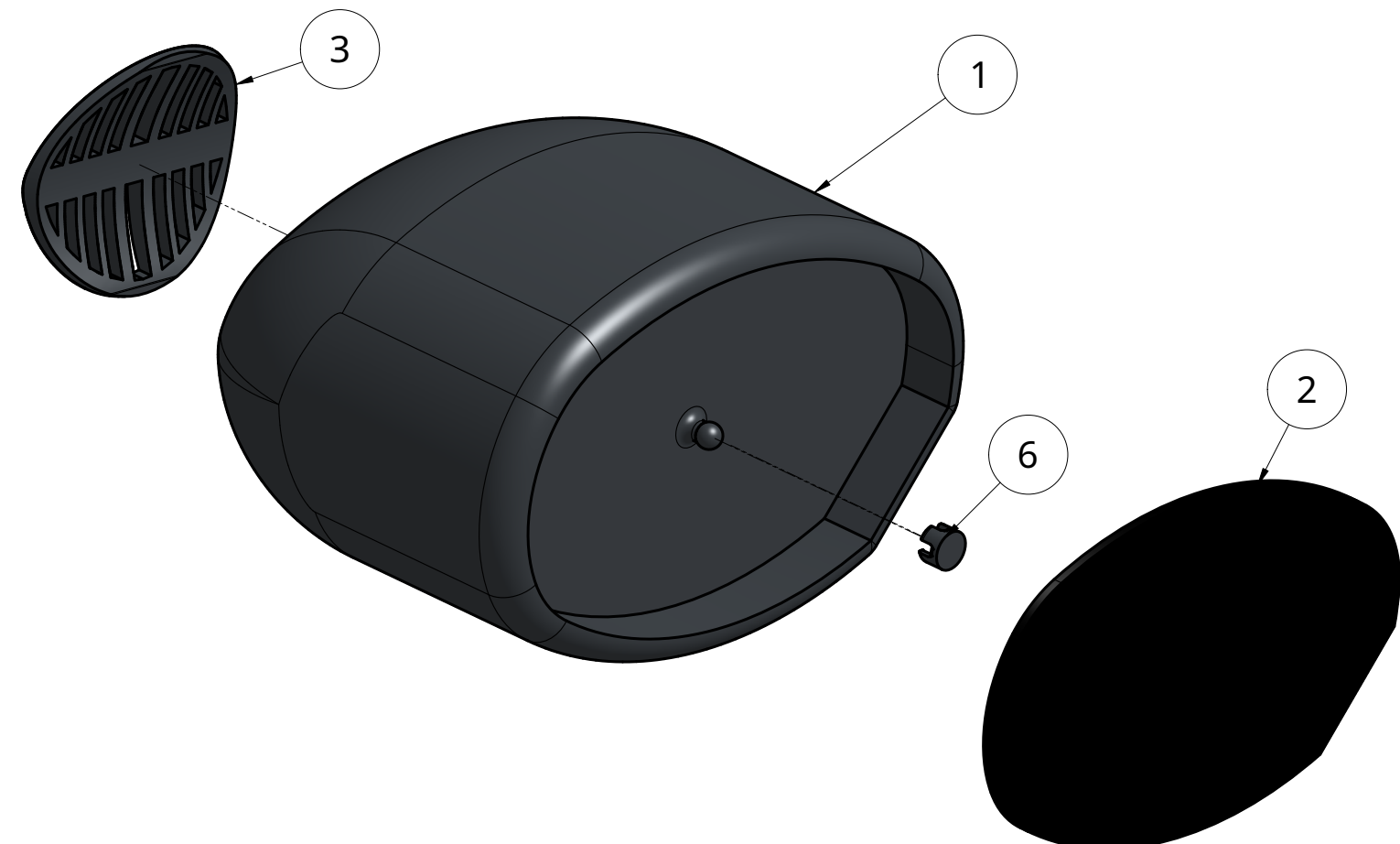
DOOR MOUNT



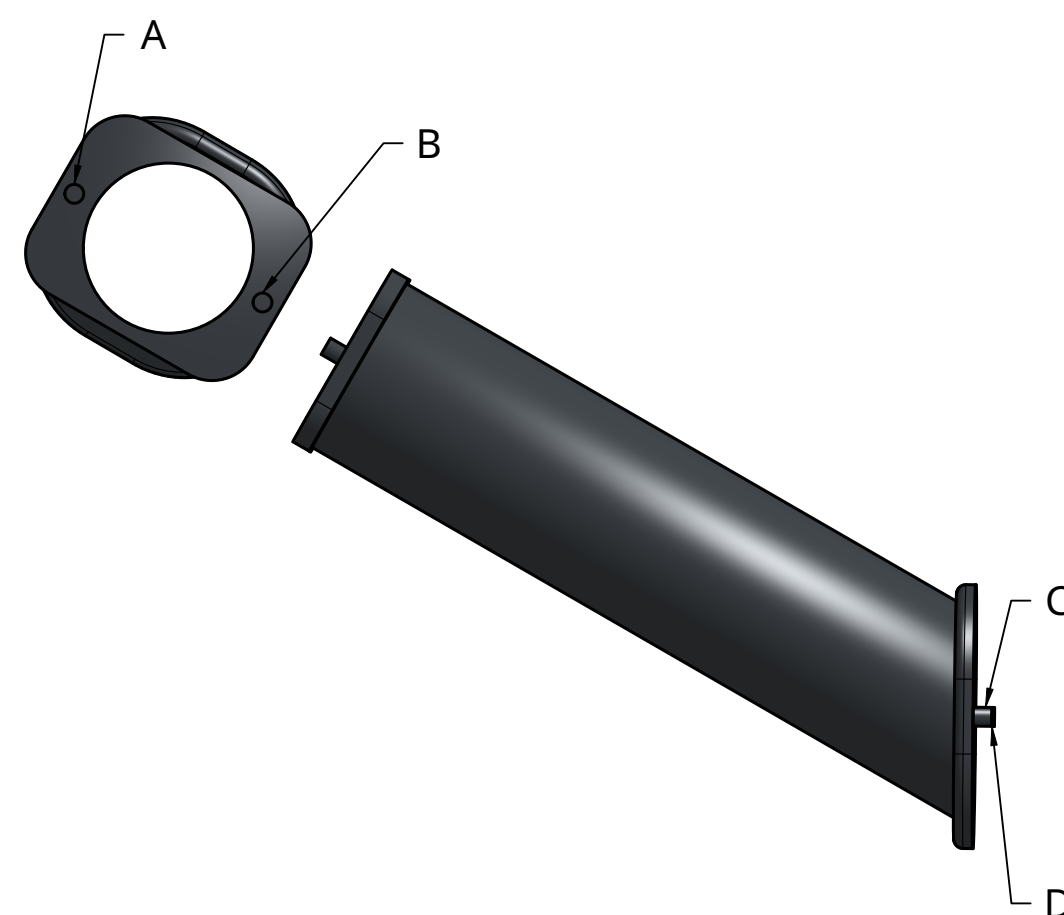
6 SOCKET



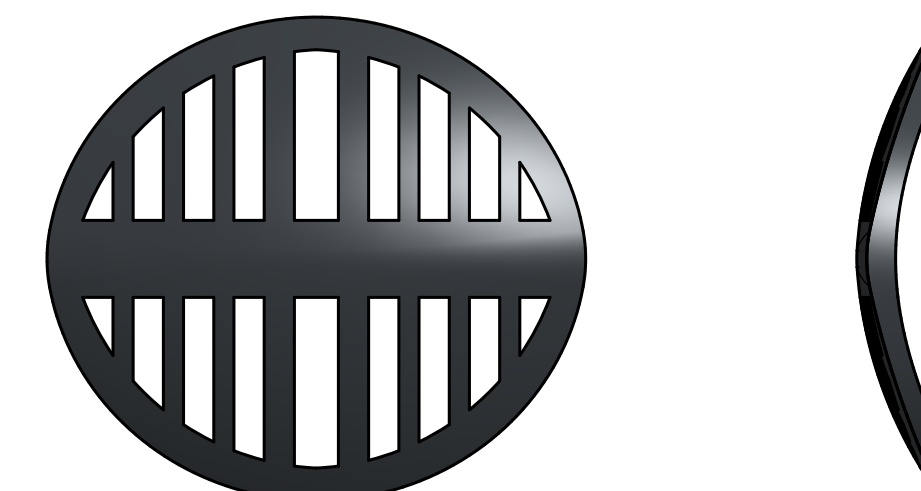
MIRROR EXPLODE



9 MIRROR NECK



3 GRILL



PART NAME	PART NUMBER	QTY
MIRROR SHELL	1	1
MIRROR	2	1
GRILL	3	1
NUT	4	3
BOLT	5	3
SOCKET	6	1
DOOR	7	1
DOOR MOUNT	8	1
MIRROR NECK	9	1

STUDENT NAME: Grant Smith

SCHOOL: Brighton High School

GRADE LEVEL: CATEGORY:

12 DESIGN CONCEPT

EMAIL ADDRESS: Grantgss@comcast.net

TEACHER NAME: Matt Jourden