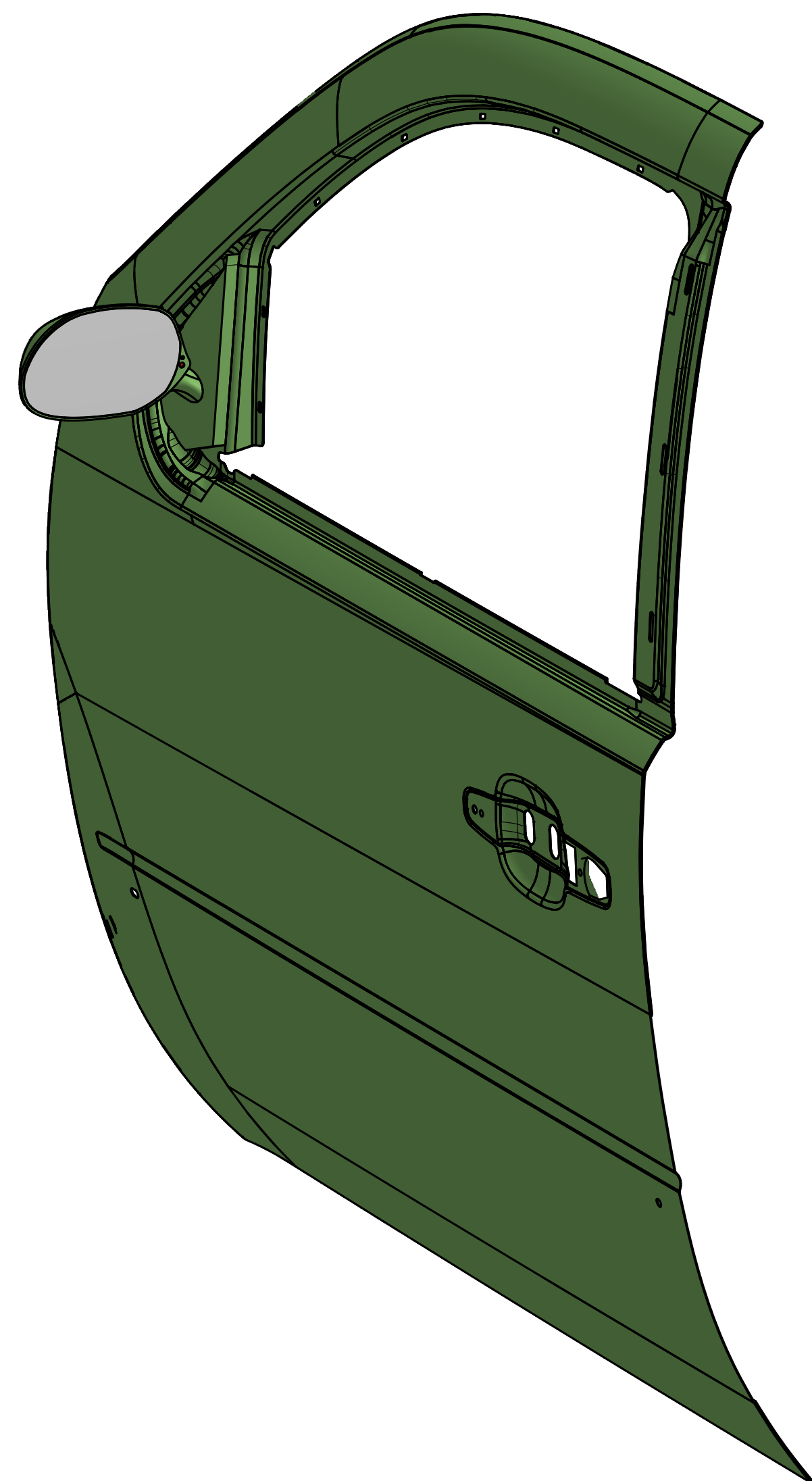
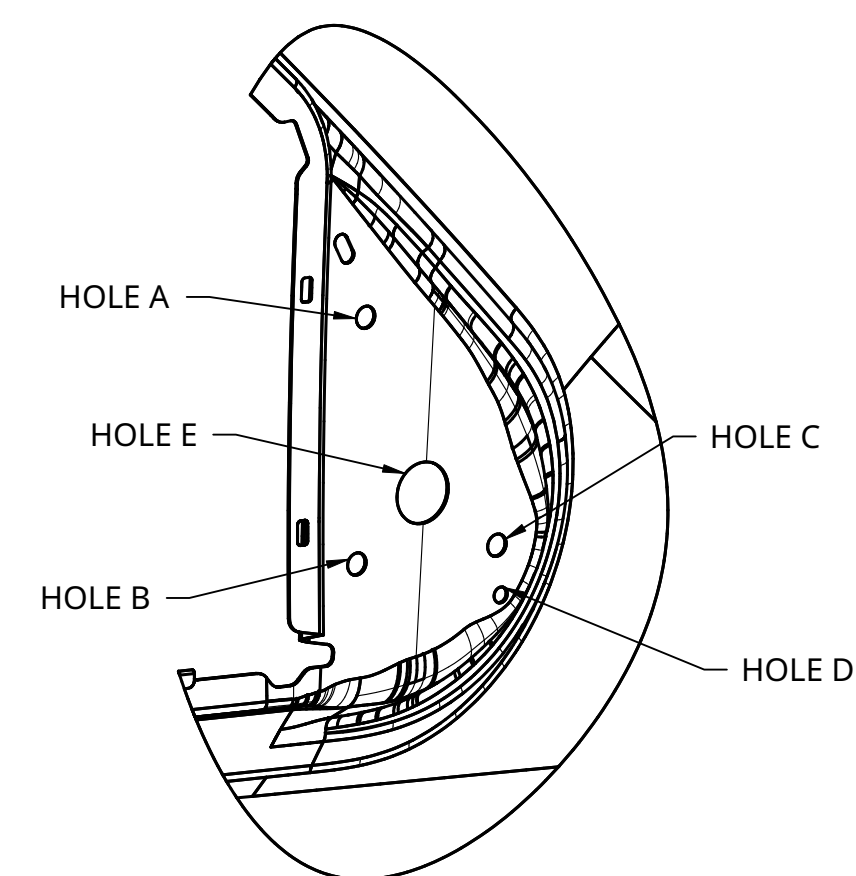
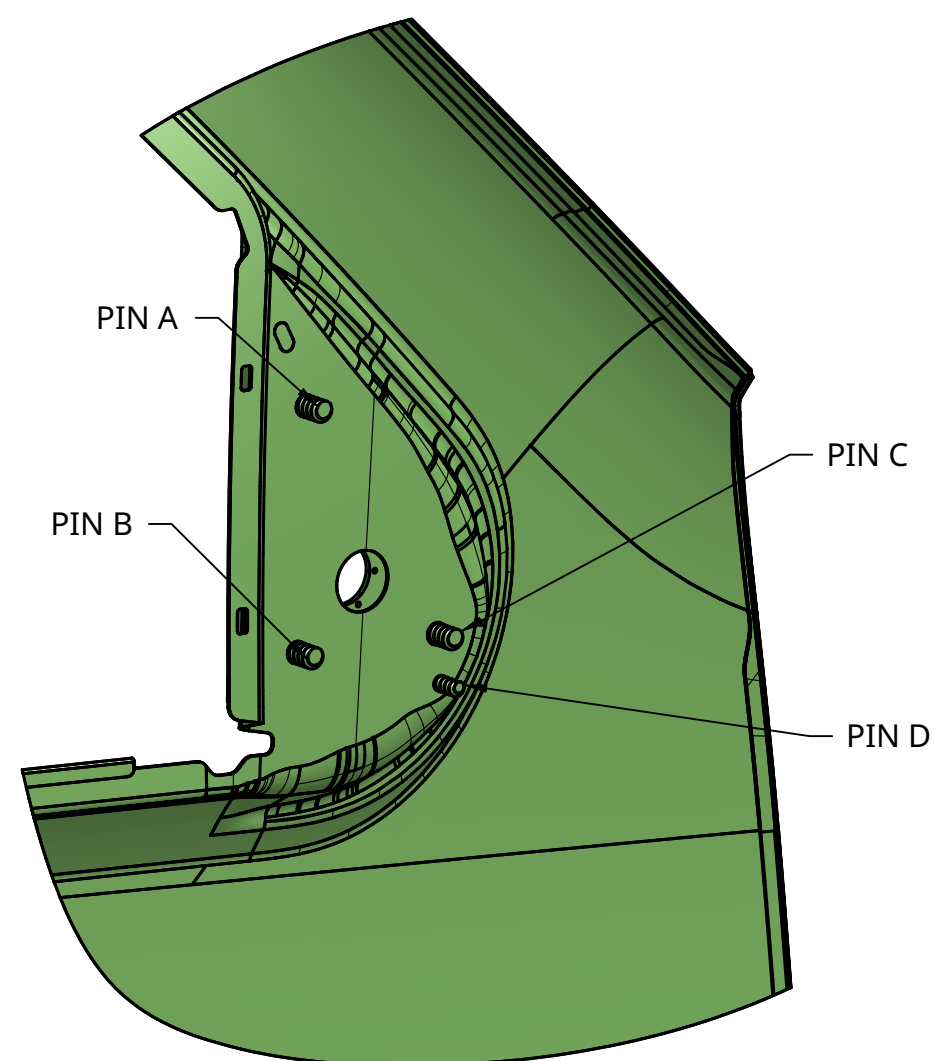


FULL ASSEMBLY



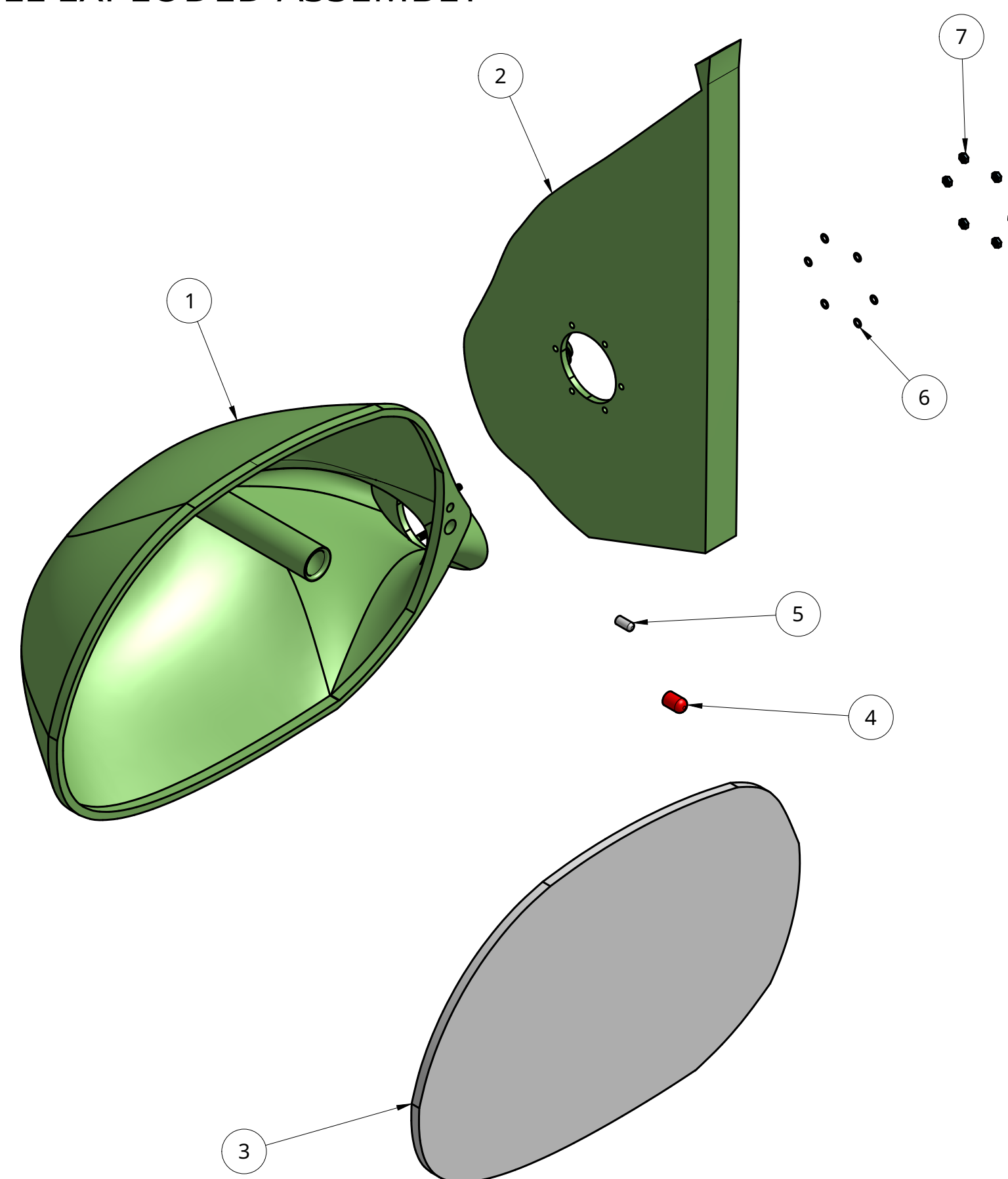
DOOR TO MIRROR MOUNT ALIGNMENT

NOTE: PINS ON MIRROR SHELL LINE UP WITH RESPECTIVE HOLE. HOLE E ON DOOR PANEL ALLOWS WIRING TO PASS THROUGH. NUTS NOT SHOWN



# METRIC

FULL EXPLODED ASSEMBLY



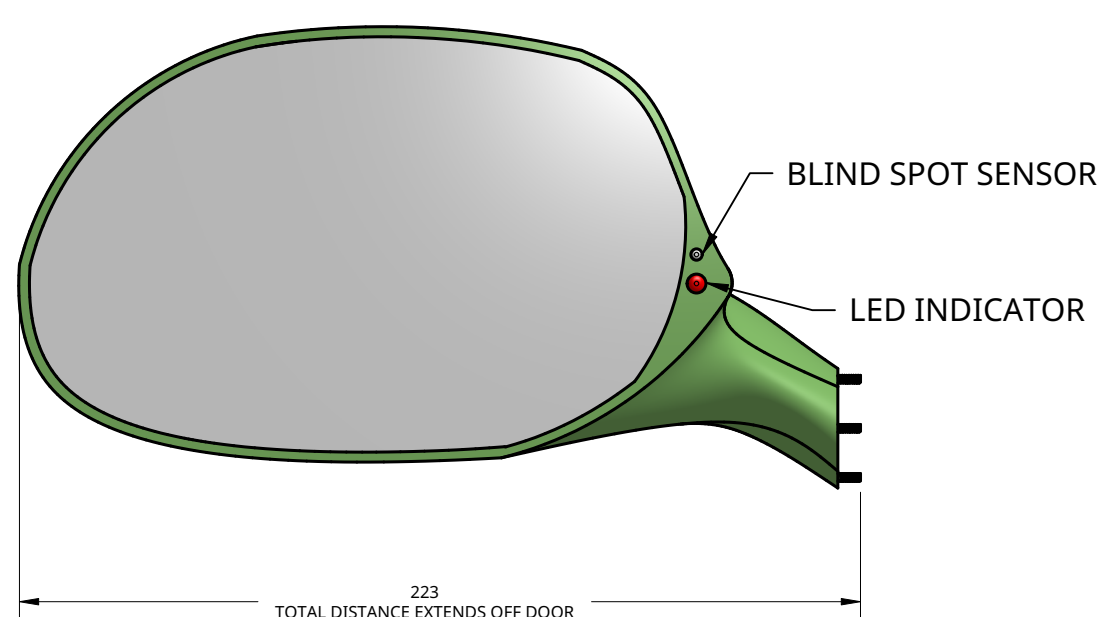
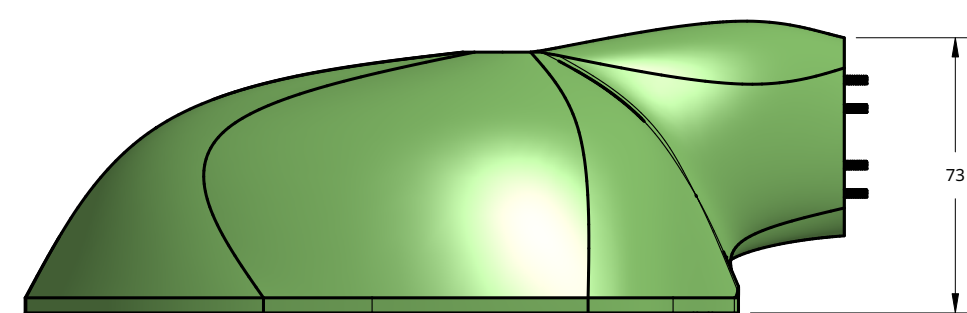
MIRROR ASSEMBLY INSTRUCTIONS

1. ALIGN SIX THREADS ON MIRROR SHELL TO RESPECTIVE HOLES ON MIRROR MOUNT (SEE MIRROR SHELL TO MOUNT ASSEMBLY)
2. SECURE MIRROR SHELL TO MIRROR MOUNT WITH SIX WASHERS AND SIX NUTS (SEE MIRROR SHELL TO MOUNT ASSEMBLY)
3. ATTACH SENSOR AND LED TO CORRESPONDING HOLES ON MIRROR SHELL (SEE MIRROR ASSEMBLY)
4. ATTACH MIRROR GLASS TO BALL JOINT ON MIRROR SHELL

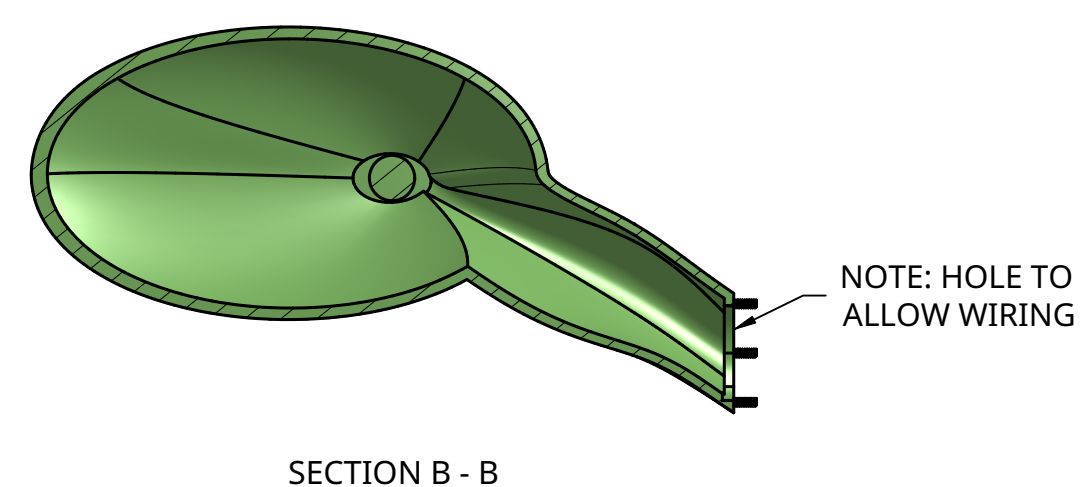
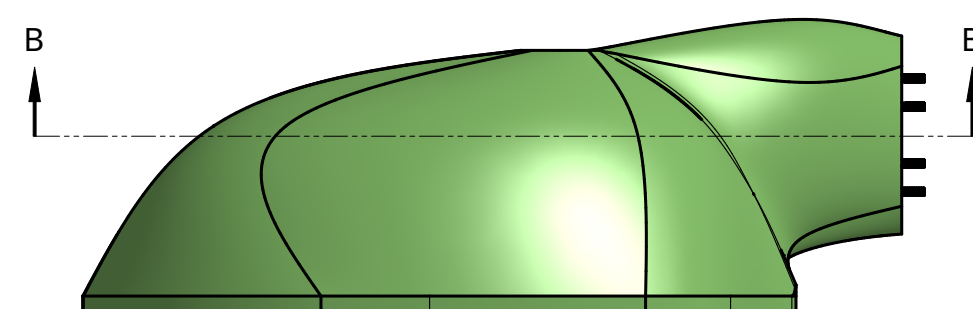
MIRROR FEATURES

- SLEEK DESIGN SUITED FOR MODERN VEHICLES
- MOTION SENSOR INCLUDED TO ADDRESS BLIND SPOT. LED INDICATOR BLINKS RED COLOR WHEN VEHICLE IS DETECTED IN BLIND SPOT.
- MOTOR POWERED BALL JOINT FOR MIRROR GLASS ADJUSTMENT

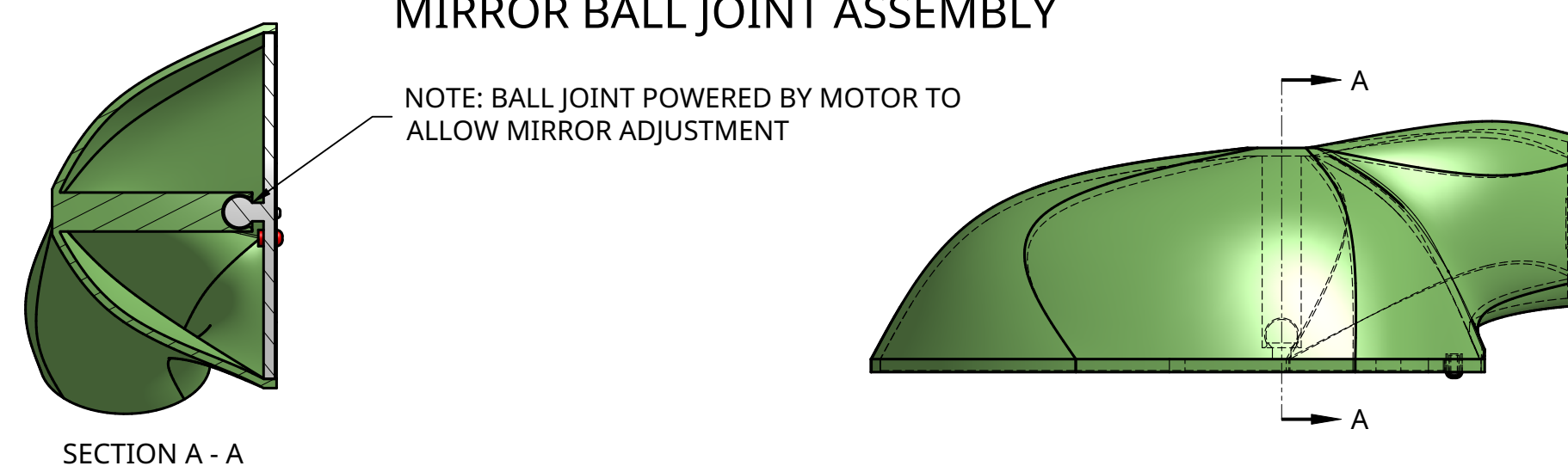
MIRROR ASSEMBLY



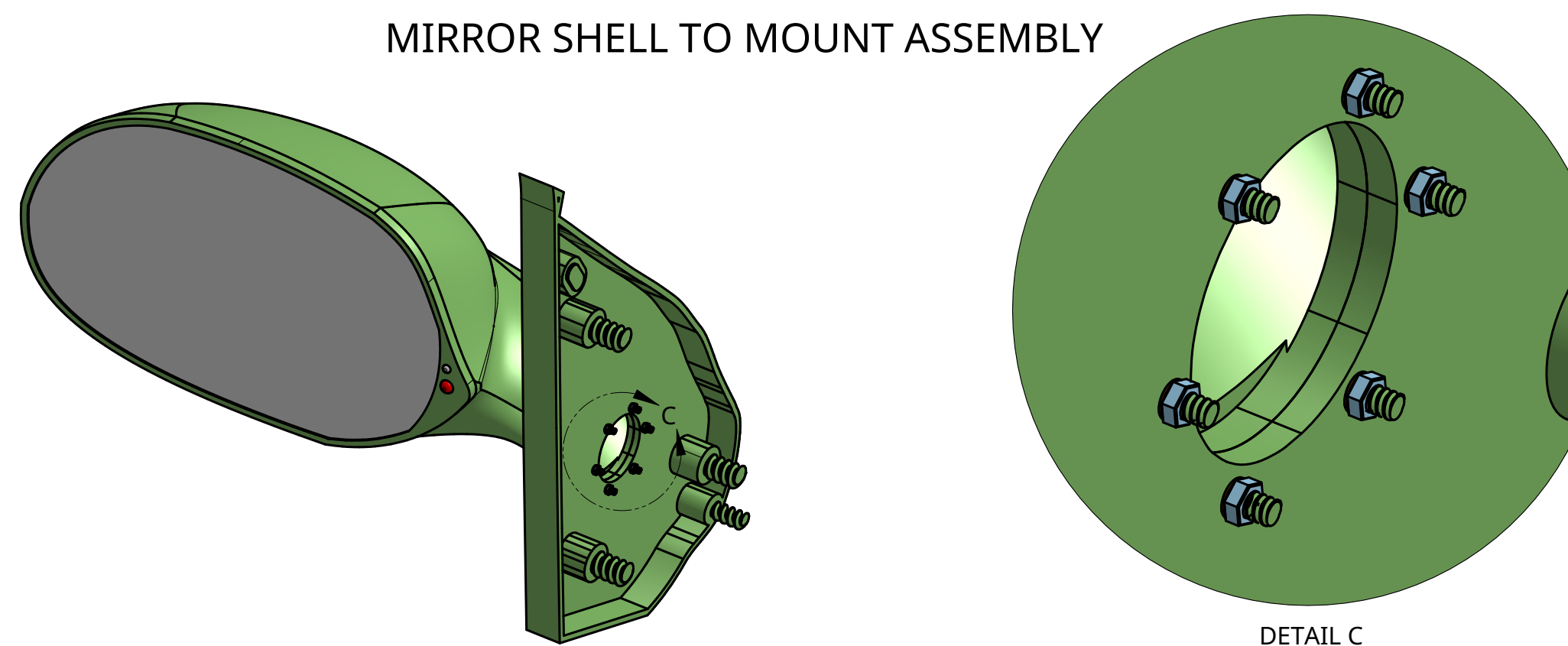
MIRROR SHELL



MIRROR BALL JOINT ASSEMBLY



MIRROR SHELL TO MOUNT ASSEMBLY



PART NO.	PART NAME	QUANTITY
1	MIRROR SHELL	1
2	MIRROR MOUNT	1
3	MIRROR GLASS	1
4	LED INDICATOR	1
5	BLIND SPOT SENSOR	1
6	WASHER	6
7	NUT	6

STUDENT NAME: JACOB SEITER

SCHOOL: BRIGHTON HIGH SCHOOL

GRADE LEVEL: CATEGORY:

DESIGN CONCEPT

12

EMAIL ADDRESS: SEITERJS21@BRIGHTONK12.COM

TEACHER NAME: MATTHEW JOURDEN