

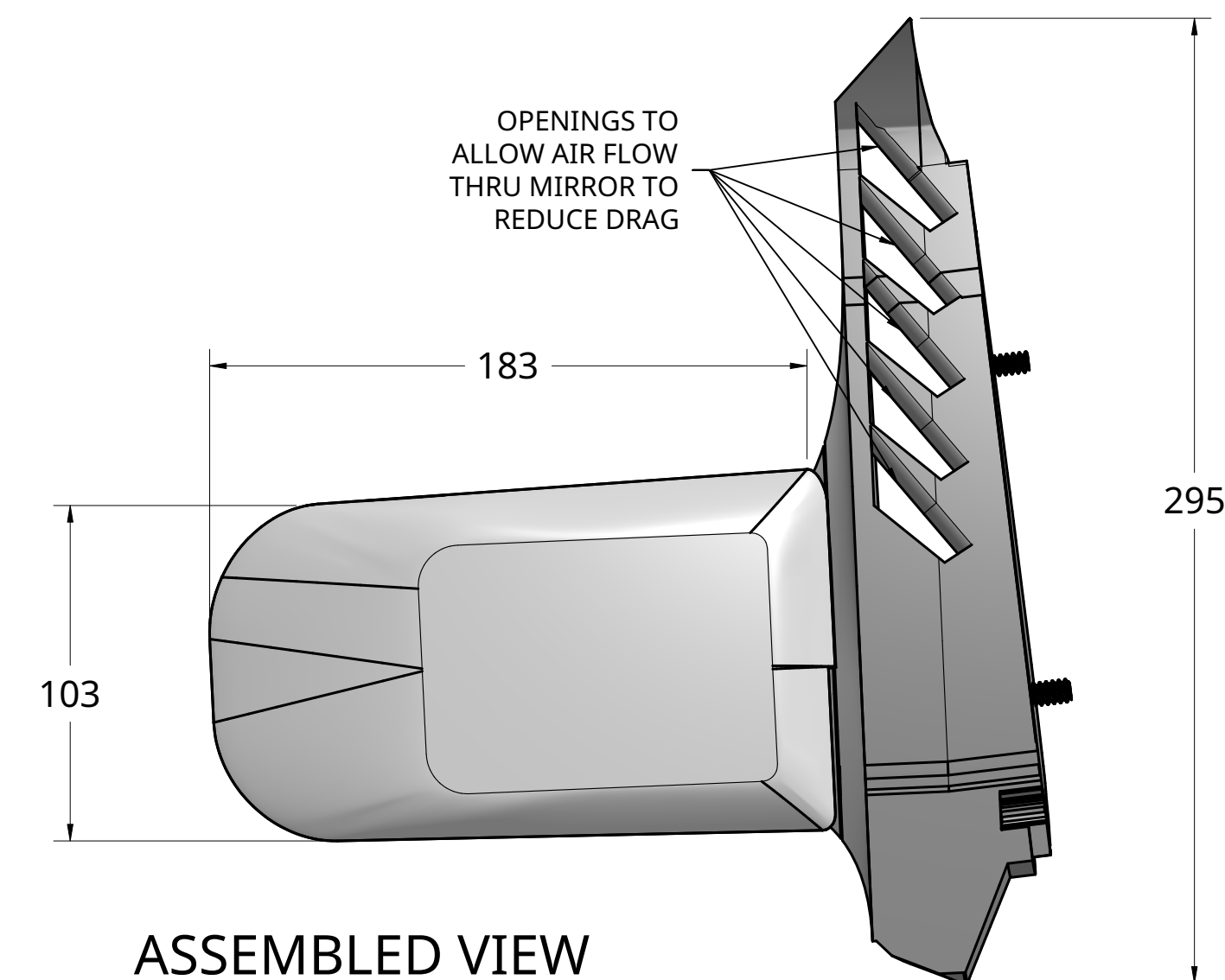
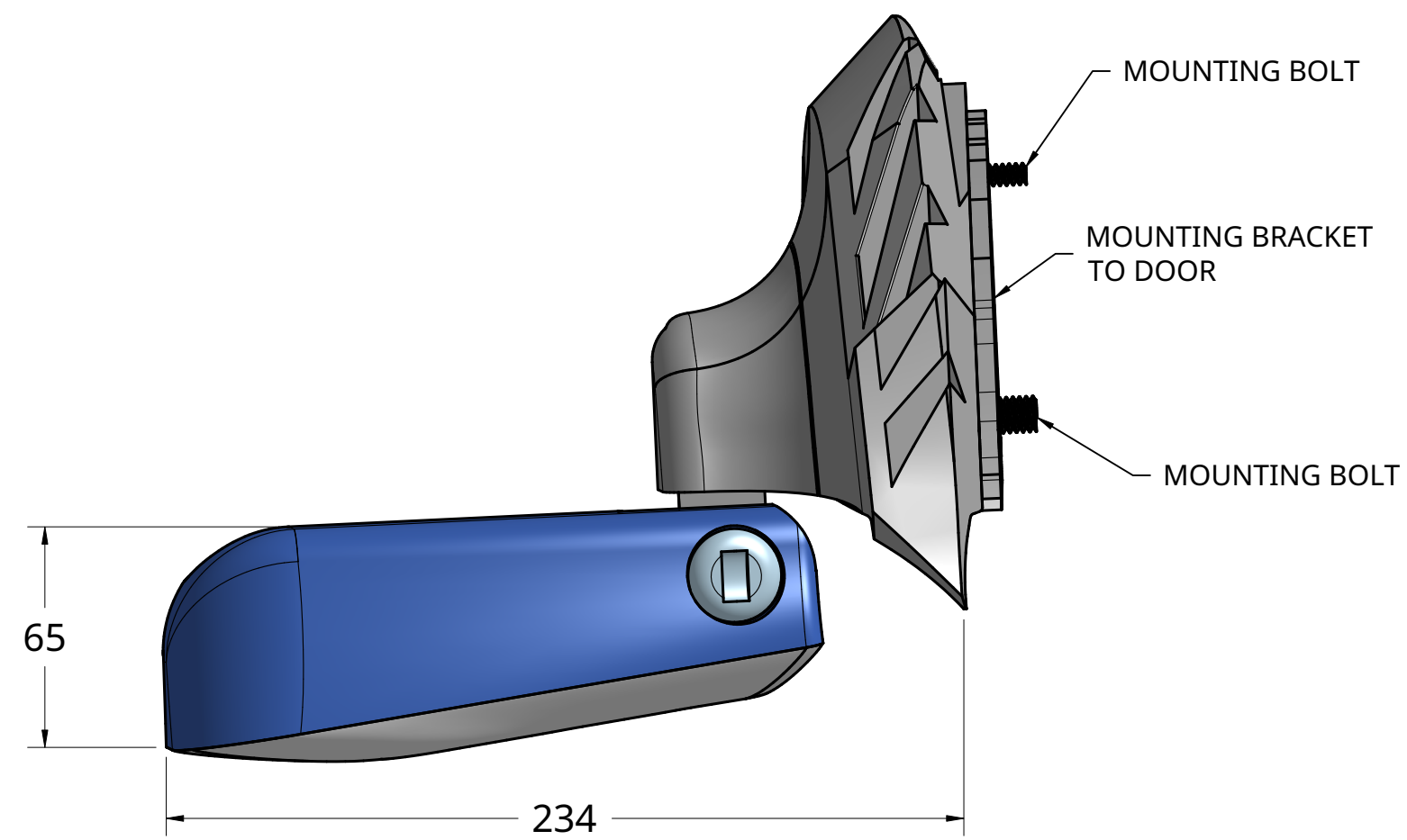
EXPLODED ASSEMBLY

ASSEMBLY INSTRUCTIONS

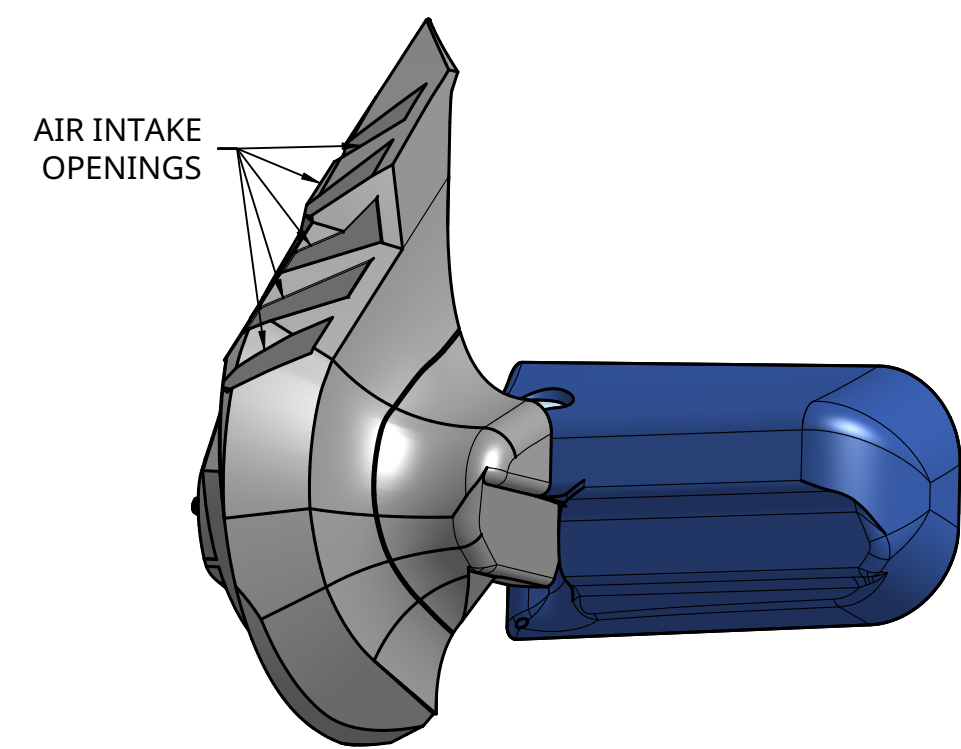
1. SCREW BASE FIXTURE TO THE DOOR
2. INSERT THE ROTATIONAL BASE FIXTURE AT A 90 DEGREE VERTICAL ANGLE WITH THE ROTATIONAL BASE GROMMET PREAPPLIED TO THE ROTATIONAL BASE FIXTURE AND ROTATE IT 90 DEGREES TO THE RIGHT TO LOCK IT INTO PLACE
3. APPLY ADHESIVE TO MIRROR ON MIRROR MOUNT
4. SLIDE THE MIRROR MOUNT ONTO THE ROTATIONAL BASE FIXTURE WITH THE ROTATIONAL BASE FIXTURE GROMMET PREAPPLIED.
5. SCREW THE MIRROR MOUNT SCREW ONTO THE TOP OF THE MIRROR MOUNT

FEATURES

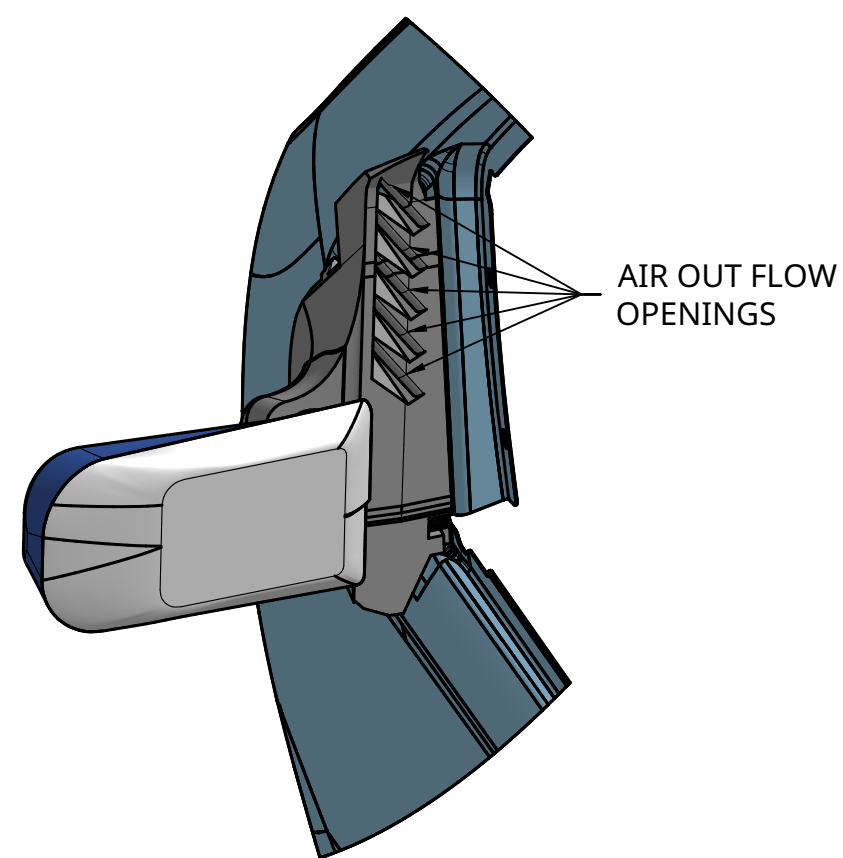
1. CURVED MIRROR FACE TO INCREASE FIELD OF VISION
2. AIR INTAKE VENT TO REDUCE DRAG FROM MIRROR
3. MIRROR CLOSSES 90 DEGREES TO DOOR TO REDUCE DRAG



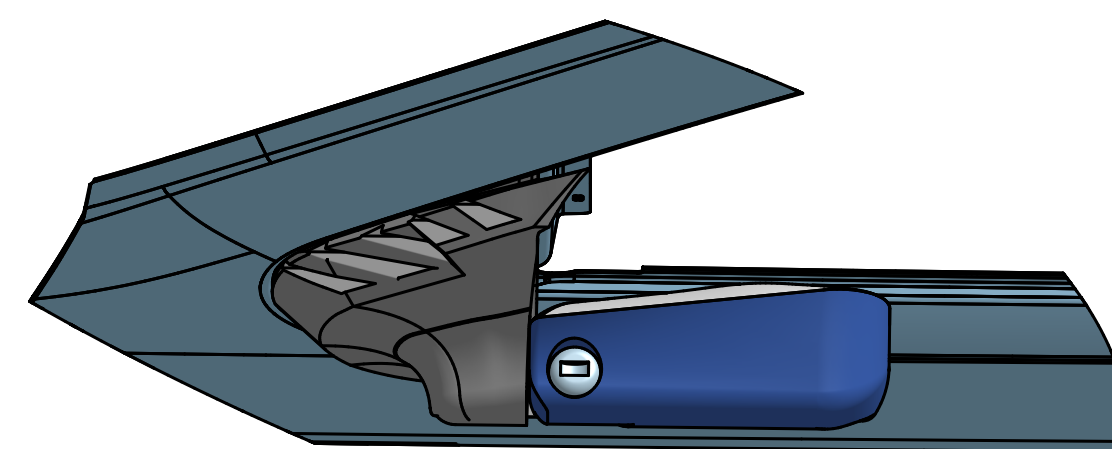
ASSEMBLED VIEW



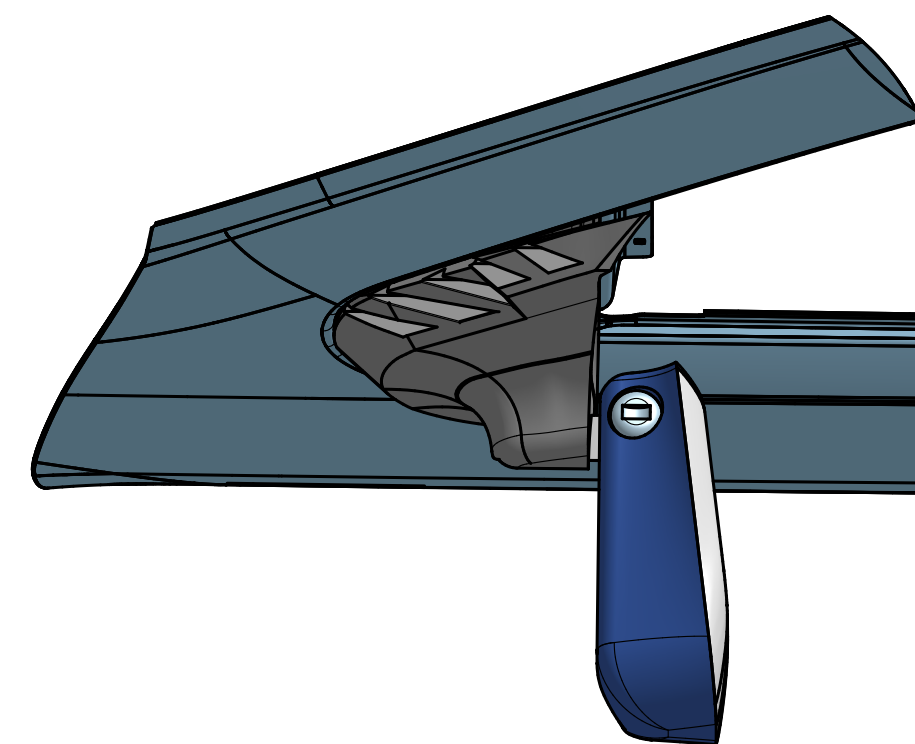
AIR FLOW INTAKE



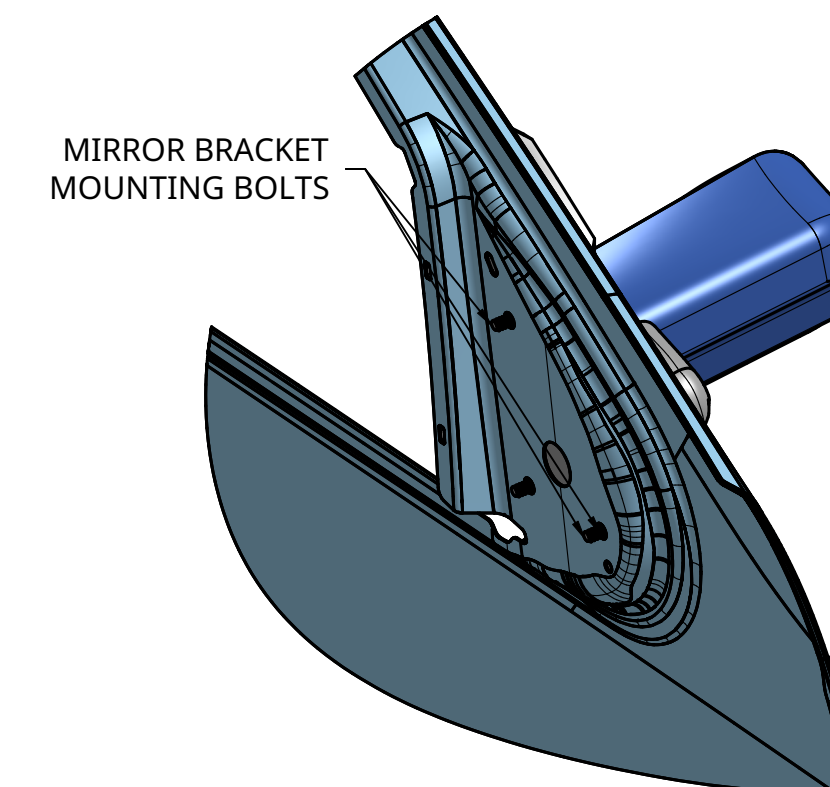
AIR FLOW OUT



MIRROR CLOSED POSITION



MIRROR OPENED POSITION



MIRROR MOUNT

METRIC

7	MIRROR
6	MIRROR MOUNT SCREW
5	MIRROR MOUNT RUBBER GROMMET
4	MIRROR MOUNT
3	ROTATIONAL BASE FIXTURE RUBBER GROMMET
2	ROTATIONAL BASE FIXTURE
1	BASE FIXTURE
PART NUMBER	PART NAME

PART LIST

STUDENT NAME: RICK MILLER

SCHOOL: BRIGHTON HIGH SCHOOL

GRADE LEVEL: CATEGORY:

DESIGN CONCEPT

12

EMAIL ADDRESS: MILLERRT21@HOTMAIL.COM

TEACHER NAME: MR. JOURDEN