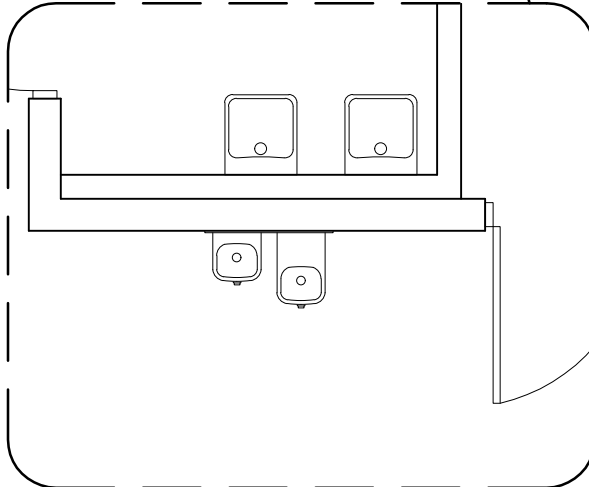
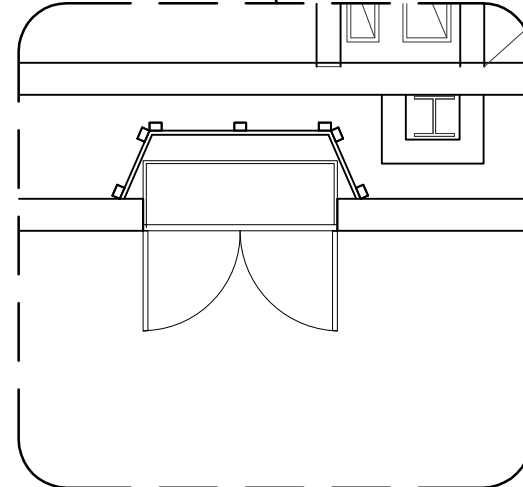


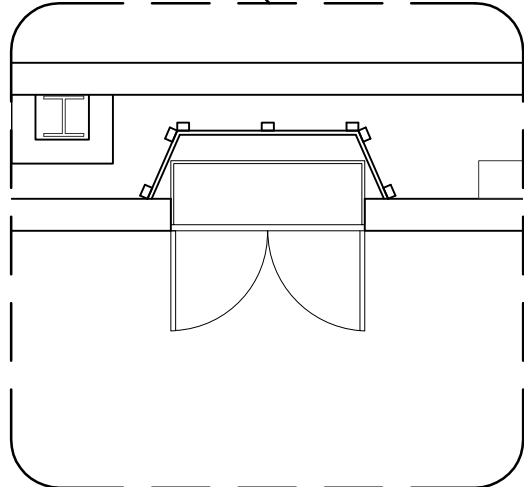
5 DEMO FLOOR PLAN
1/32" = 1'-0"



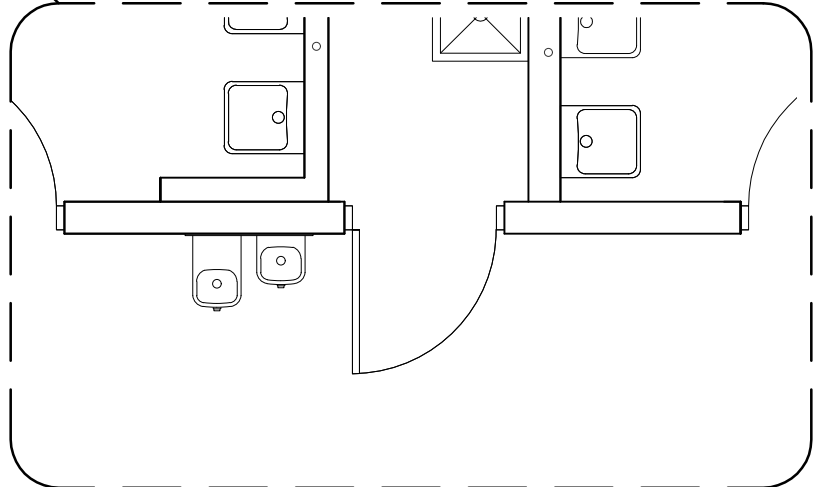
1 ENLARGED FLOOR PLAN
1/4" = 1'-0"



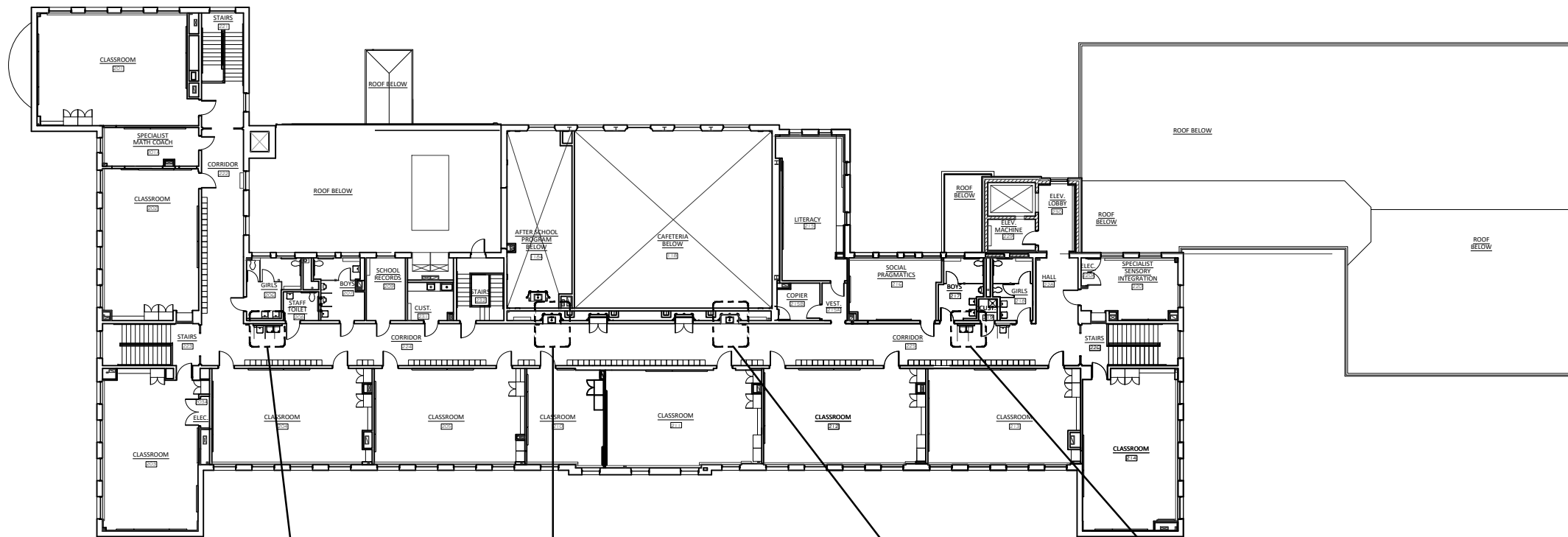
2 ENLARGED FLOOR PLAN
1/4" = 1'-0"



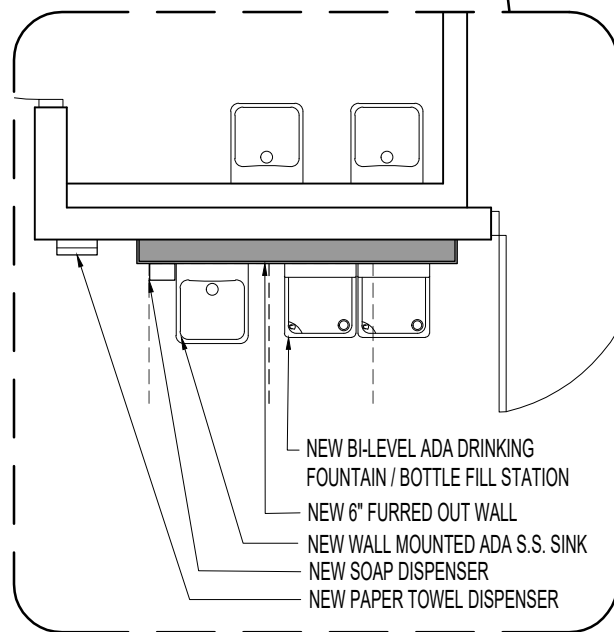
3 ENLARGED FLOOR PLAN
1/4" = 1'-0"



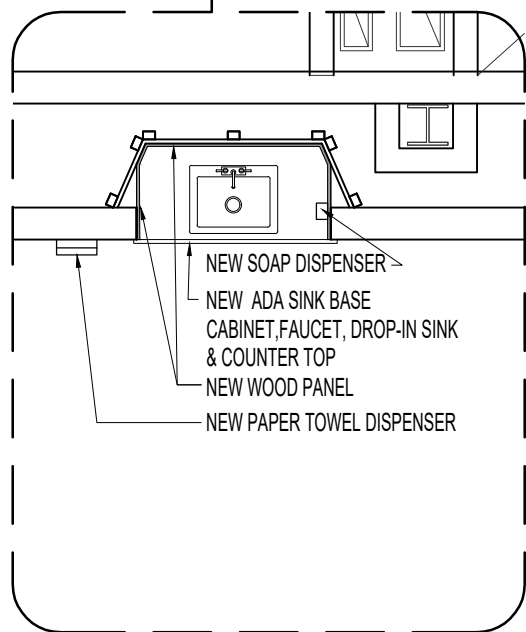
4 ENLARGED FLOOR PLAN
1/4" = 1'-0"



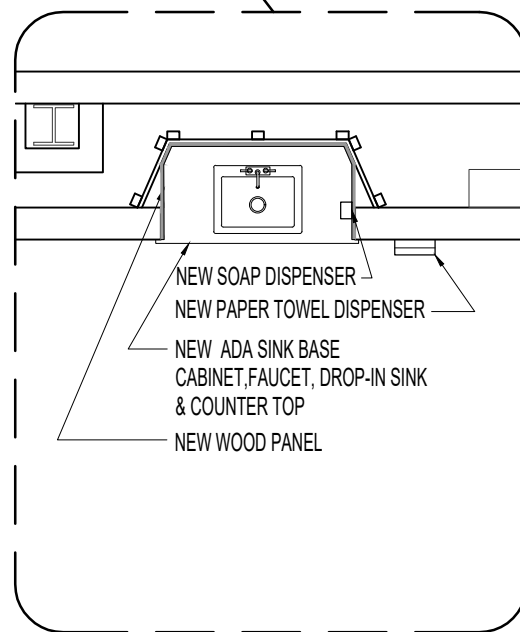
5 PROPOSED FLOOR PLAN
1/32" = 1'-0"



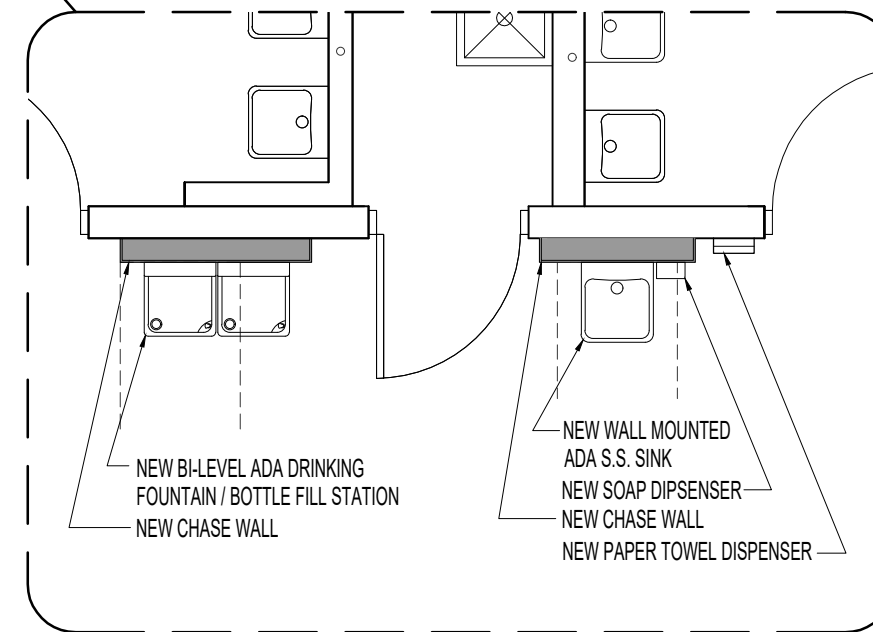
1 ENLARGED FLOOR PLAN
1/4" = 1'-0"



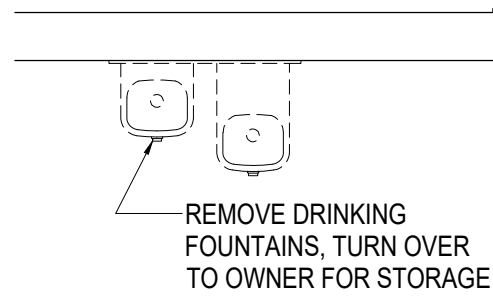
2 ENLARGED FLOOR PLAN
1/4" = 1'-0"



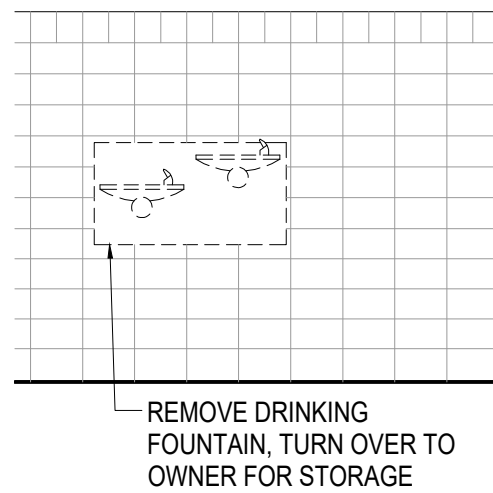
3 ENLARGED FLOOR PLAN
1/4" = 1'-0"



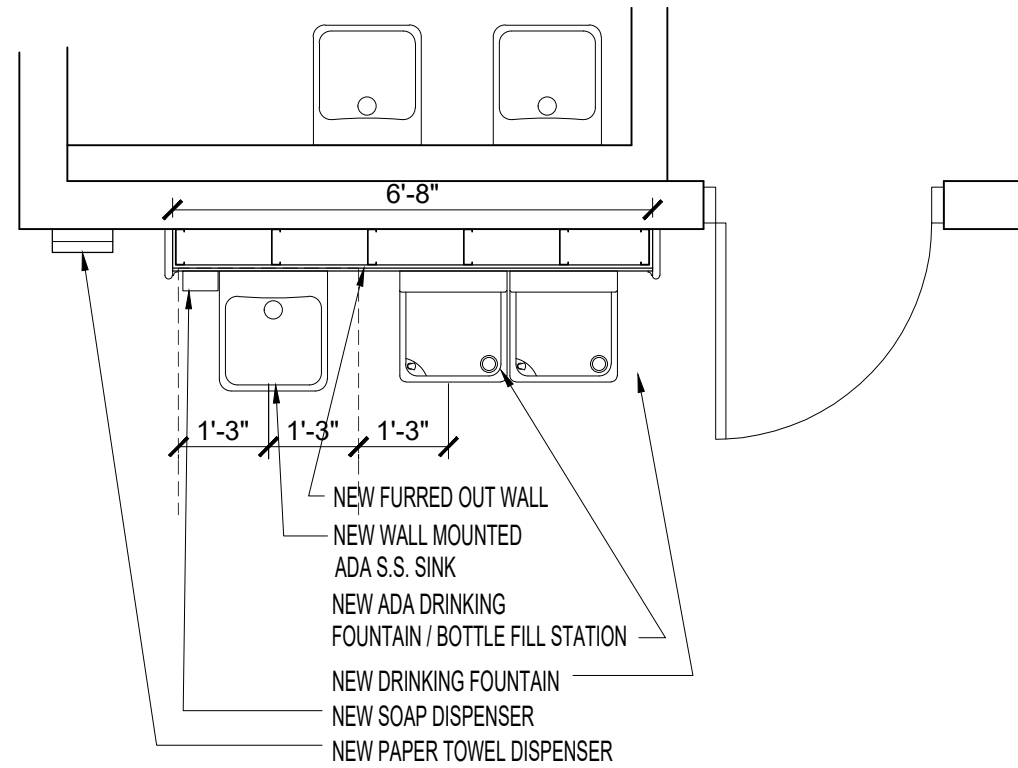
4 ENLARGED FLOOR PLAN
1/4" = 1'-0"



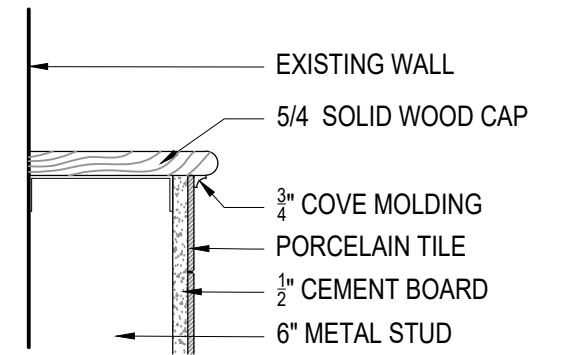
DEMO PLAN



DEMO ELEVATION



PROPOSED PLAN



3 CAP DETAIL
 1 1/2" = 1'-0"

NEW SOLID 5/4 WOOD CAP w/ 3/4" COVE MOLDING TO UNDERSIDE OF TOP ROW OF TILE AND DOWN SIDES

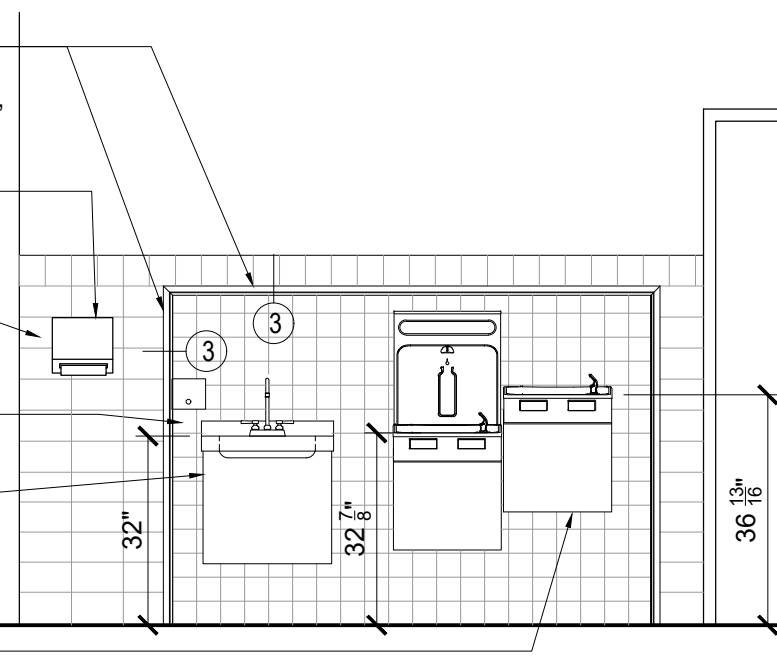
NEW PAPER TOWEL DISPENSER, SUPPLIED BY NEWTON PUBLIC SCHOOLS INSTALLED BY CONTRACTOR

EXISTING GLAZED BLOCK WALL

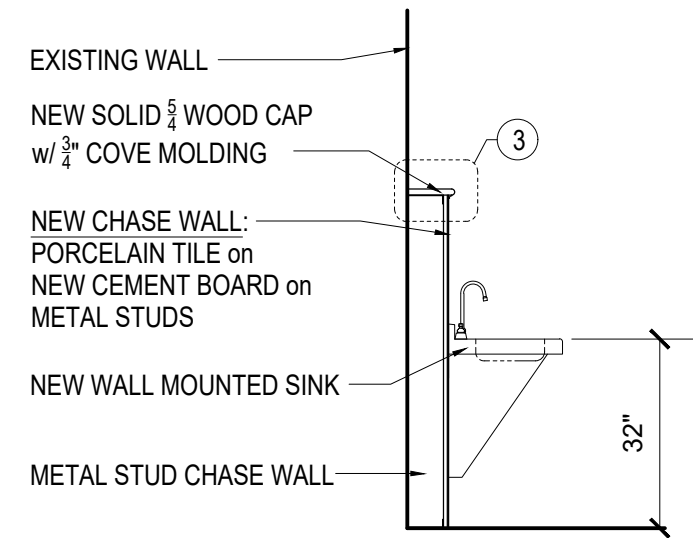
NEW CHASE WALL: PORCELAIN TILE on NEW CEMENT BOARD on METAL STUDS

NEW WALL MOUNTED S.S. SINK w/ S.S. SKIRT

NEW BI-LEVEL ADA DRINKING FOUNTAIN / BOTTLE FILL STATION



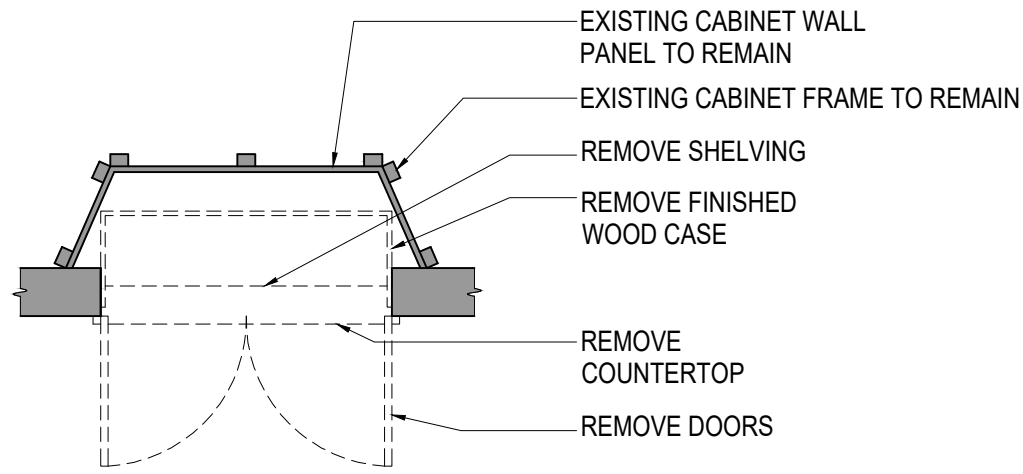
PROPOSED ELEVATION



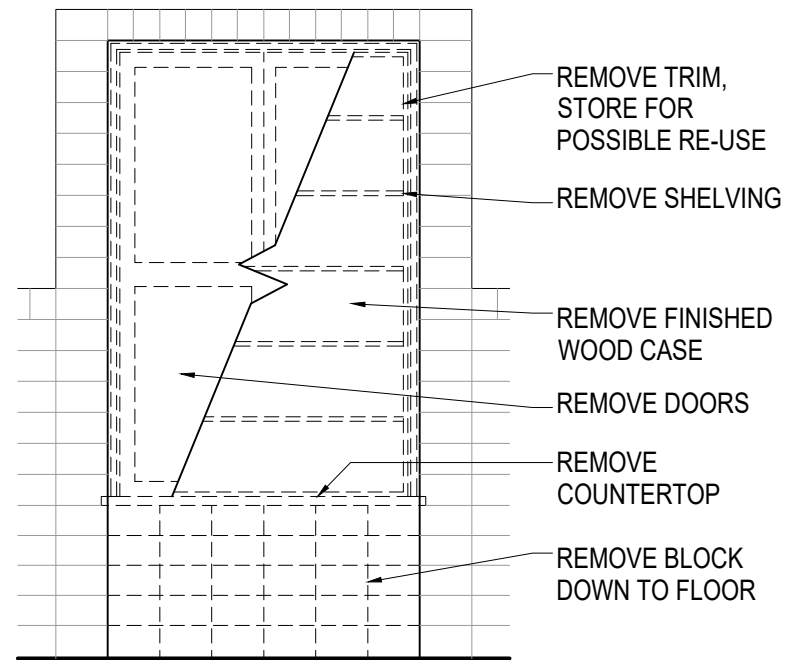
PROPOSED SECTION

1 DEMOLITION WORK
 3/8" = 1'-0"

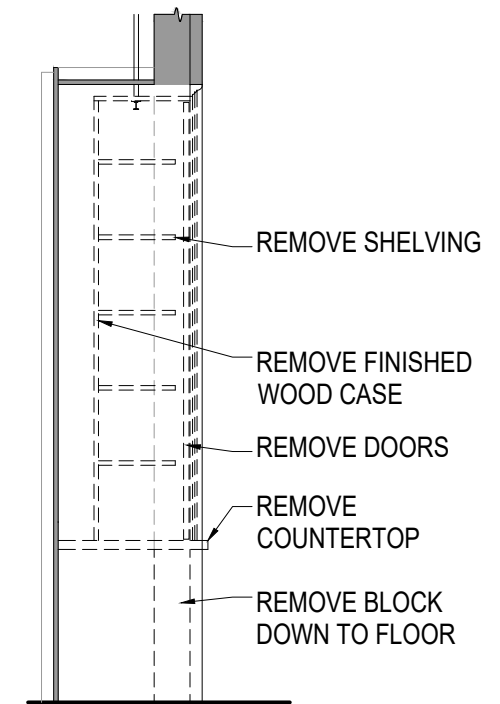
2 PROPOSED WORK
 3/8" = 1'-0"



PARTIAL DEMO PLAN

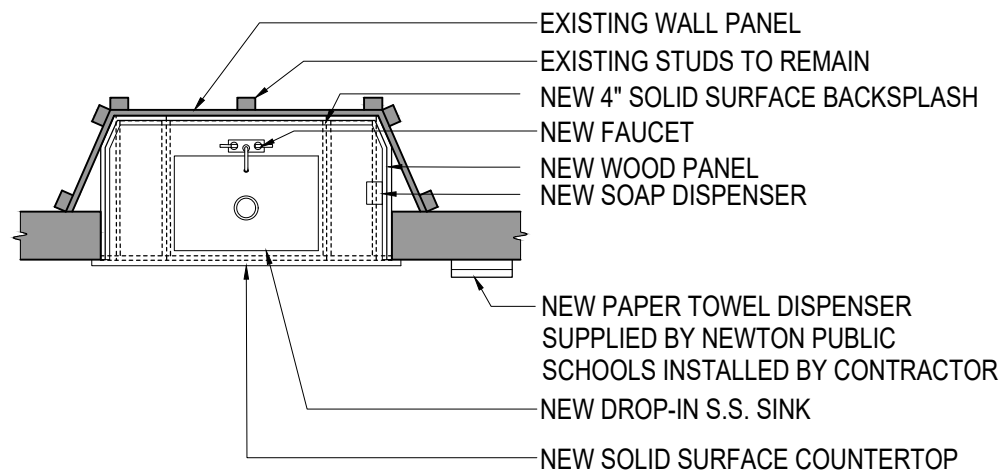


DEMO ELEVATION

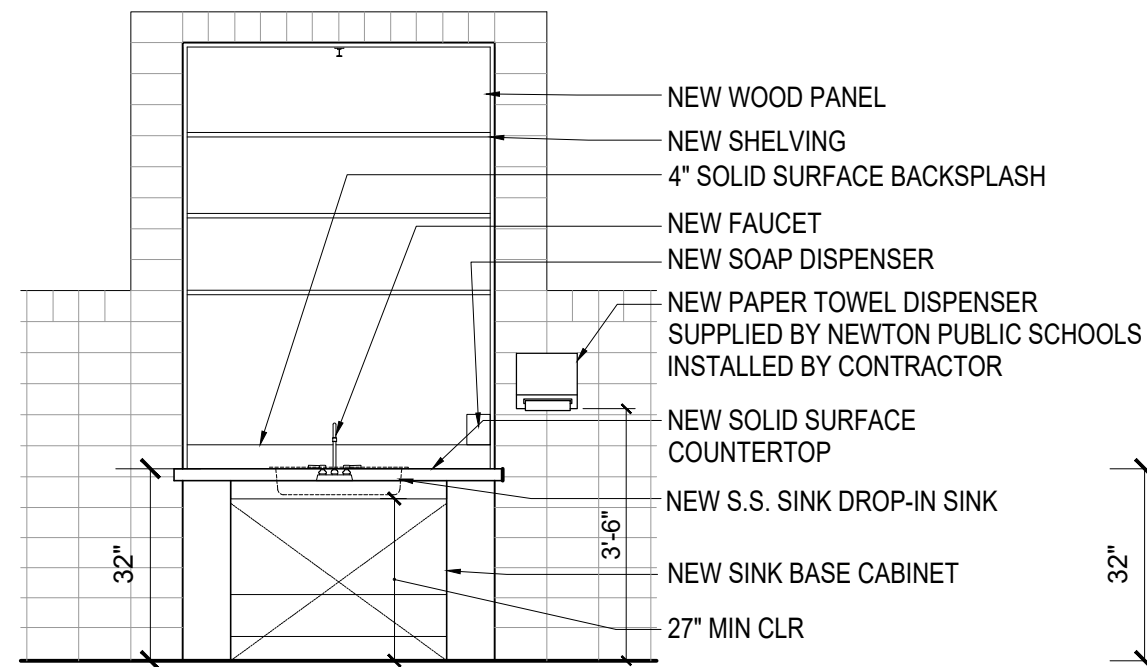


DEMO SECTION

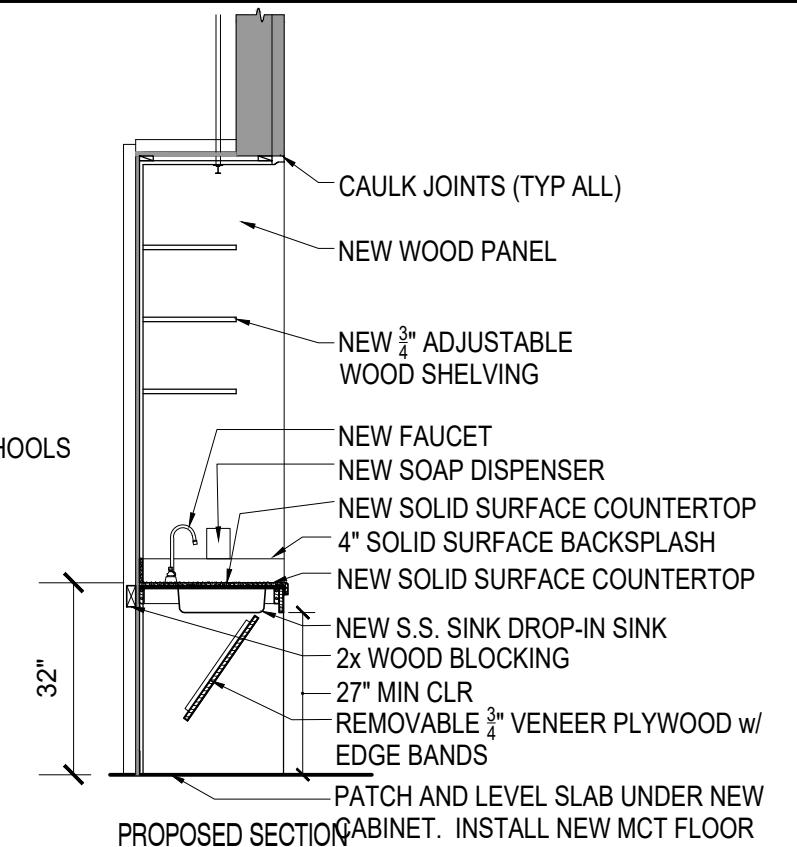
1 DEMOLITION WORK
3/8 = 1'-0"



PROPOSED PLAN

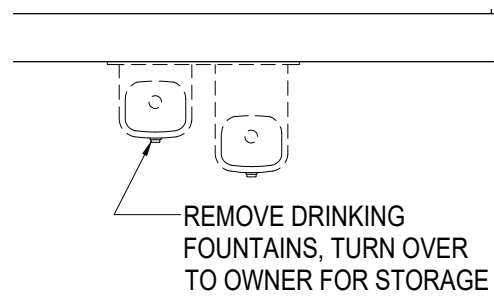


PROPOSED ELEVATION

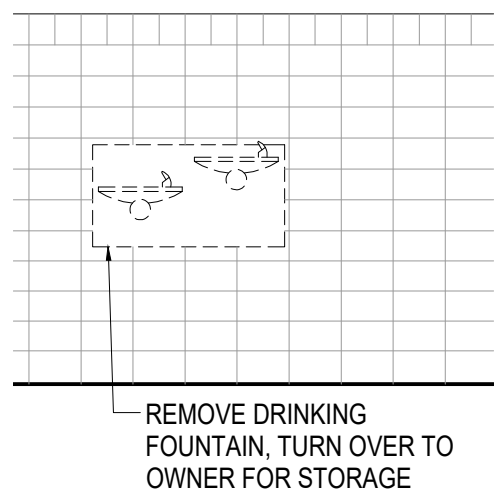


PROPOSED SECTION

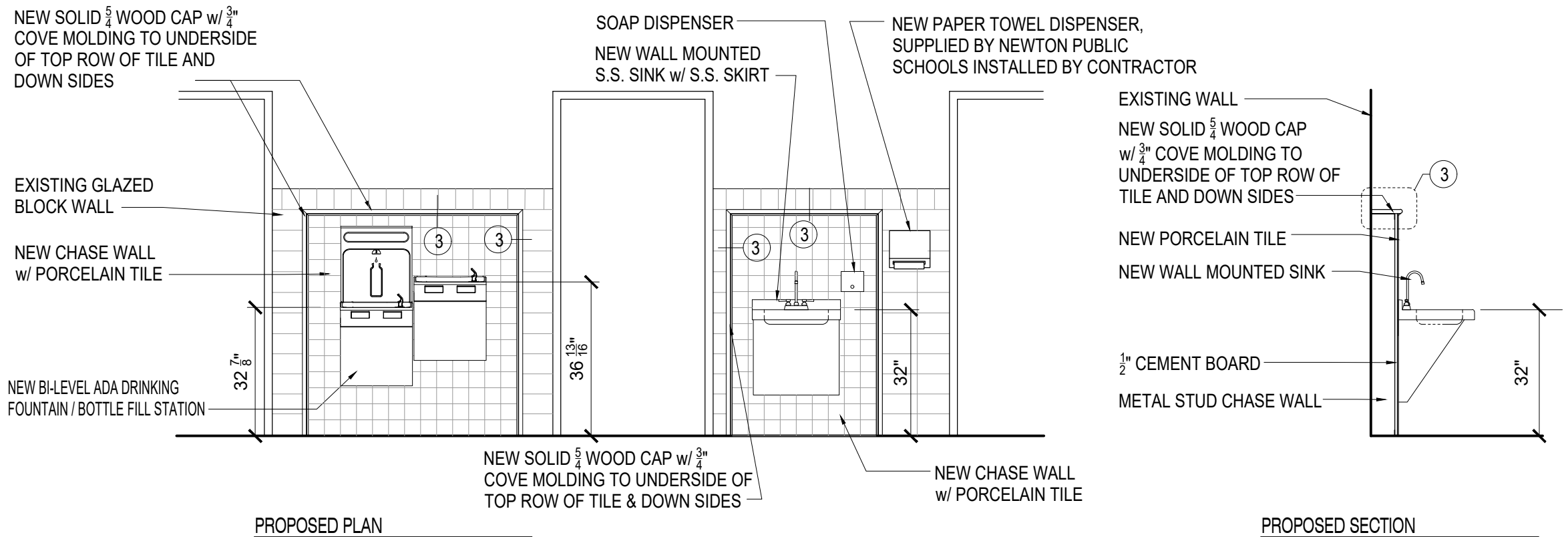
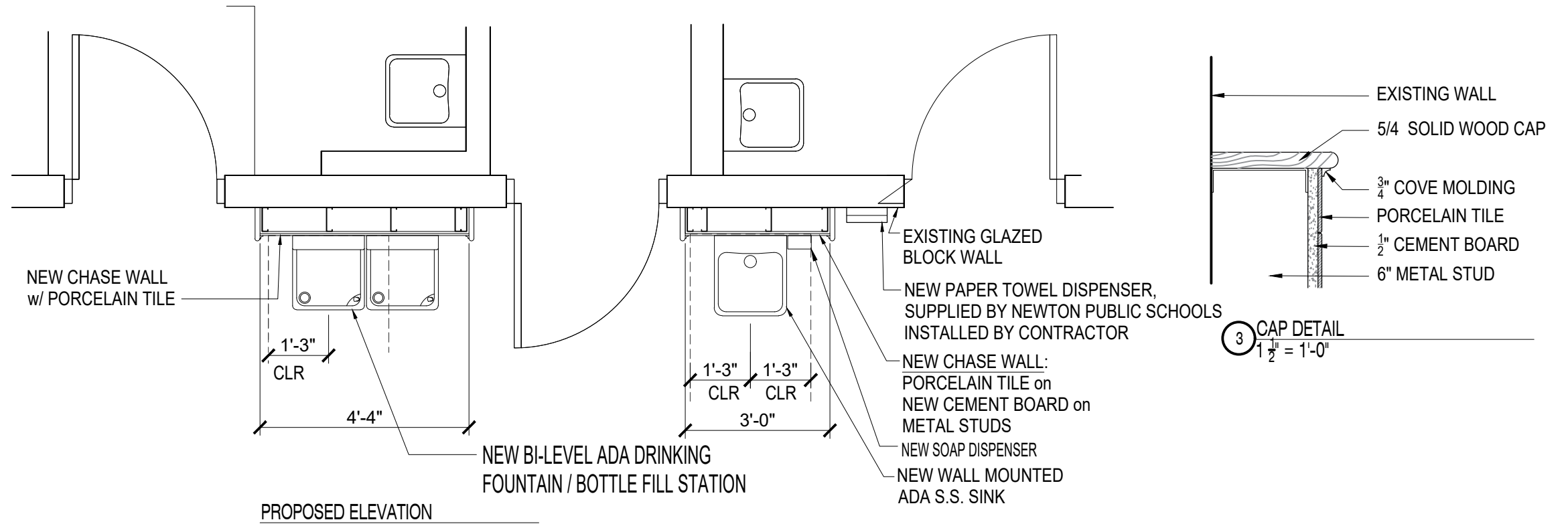
2 PROPOSED WORK
3/8 = 1'-0"



DEMO PLAN



DEMO ELEVATION



1 DEMOLITION WORK
3/8" = 1'-0"

2 PROPOSED WORK
3/8" = 1'-0"