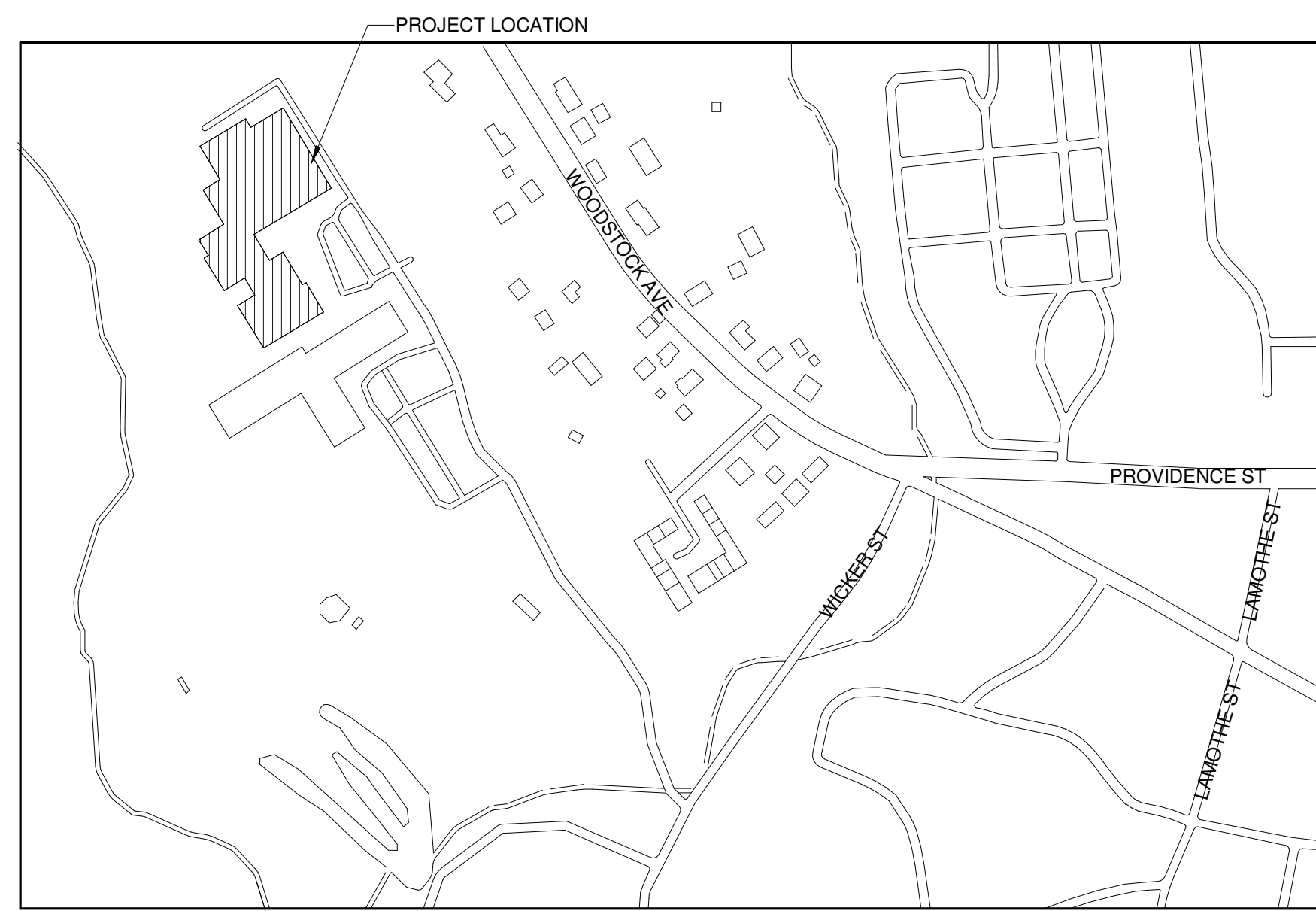


PUTNAM MIDDLE SCHOOL

35 WICKER ST, PUTNAM, CT 06260

APPLICABLE CODES
<p>2022 CONNECTICUT STATE BUILDING CODE</p> <p>INTERNATIONAL CODE COUNCIL, INC. • 2021 INTERNATIONAL BUILDING CODE • 2017 A117.1 ACCESSIBLE AND USABLE BUILDINGS AND FACILITIES • 2021 INTERNATIONAL EXISTING BUILDING CODE • 2021 INTERNATIONAL ENERGY CONSERVATION CODE</p> <p>NATIONAL FIRE PROTECTION ASSOCIATION, INC. • 2020 NFPA 70 NATIONAL ELECTRICAL CODE</p> <p>ALL AS AMENDED AND ADOPTED BY THE OCTOBER 1, 2022 CONNECTICUT AMENDMENTS CONSTITUTE THE 2022 CONNECTICUT STATE BUILDING CODE.</p>
<p>2022 CONNECTICUT STATE FIRE SAFETY CODE</p> <p>INTERNATIONAL CODE COUNCIL, INC. • 2021 INTERNATIONAL FIRE CODE</p> <p>NATIONAL FIRE PROTECTION ASSOCIATION, INC. • 2021 NFPA 101 LIFE SAFETY CODE</p> <p>ALL AS AMENDED AND ADOPTED BY THE OCTOBER 1, 2022 CONNECTICUT AMENDMENTS CONSTITUTE THE 2022 CONNECTICUT STATE FIRE SAFETY CODE.</p>
<p>2022 CONNECTICUT STATE FIRE PREVENTION CODE</p> <p>NATIONAL FIRE PROTECTION ASSOCIATION, INC. • 2021 NFPA 1 FIRE CODE (INCLUDING ANNEXES A, C, AND F) AS AMENDED AND ADOPTED BY THE OCTOBER 1, 2022 CONNECTICUT AMENDMENTS CONSTITUTE THE 2022 CONNECTICUT STATE FIRE PREVENTION CODE.</p>

SCOPE OF WORK			
SCOPE OF WORK INCLUDES MINI SPLIT AIR CONDITIONER ADDITION IN CLASSROOM AND GYMNASIUM PUTNAM MIDDLE SCHOOL (70000 SQ.FT). SCOPE OF WORK INCLUDES HVAC AND ELECTRICAL WORK.			
LIST OF SHEETS			
SHEET NO.	SHEET NAME	PROJECT ISSUE DATE	CURRENT REVISION
G-000	COVER SHEET	07/10/2024	
M-001	MECHANICAL NOTES, SPECIFICATION, SCHEDULES AND LEGENDS	07/10/2024	
M-002	MECHANICAL SCHEDULES	07/10/2024	
M-101	FIRST FLOOR OVERALL MECHANICAL PLAN	07/10/2024	
M-102	FIRST FLOOR MECHANICAL PLAN - PART B	07/10/2024	
M-103	FIRST FLOOR MECHANICAL PLAN - PART C	07/10/2024	
M-104	SECOND FLOOR MECHANICAL PLAN-PART B	07/10/2024	
M-300	MECHANICAL DETAILS	07/10/2024	
E-001	ELECTRICAL NOTES & SPECIFICATIONS	07/10/2024	
E-002	ELECTRICAL LEGENDS AND SYMBOL	07/10/2024	
E-003	ELECTRICAL POWER RISER DIAGRAM, DETAILS AND EQUIPMENT SCHEDULES	07/10/2024	
E-004	ELECTRICAL PANEL SCHEDULE	07/10/2024	
E-101	FIRST FLOOR OVERALL ELECTRICAL PLAN	07/10/2024	
E-102	FIRST FLOOR ELECTRICAL PLAN-PART B	07/10/2024	
E-103	FIRST FLOOR ELECTRICAL PLAN-PART C	07/10/2024	
E-104	SECOND FLOOR ELECTRICAL PLAN - PART B	07/10/2024	



PROJECT LOCATION MAP
N.T.S.

LIST OF PROFESSIONALS
<p>MEP</p> <p>RUSSELL AND DAWSON INC. 1111 MAIN STREET, EAST HARTFORD CT 06108 PHONE: (860) 289-1100 FAX: (860) 289-3272 www.rdaep.com</p>


RUSSELL AND DAWSON INC.
 ARCHITECTURE & ENGINEERING
 1111 Main Street, East Hartford CT 06108
 TEL: (860) 289-1100 FAX: (860) 289-3272 E-MAIL: info@rdaep.com

1111 MAIN STREET, EAST HARTFORD CT 06108 (860) 289-1100

FILE NO. 24103.02
 DATE: 07/10/2024
 REV :

AIR CONDITIONING UNIT SCHEDULE

NOTES: 1. PROVIDE DISC. SWITCH AND STARTER BY ELECTRICAL CONTRACTOR. 2.MECHANICAL CONTRACTOR TO PROVIDE PROGRAMMABLE T'STAT AND ELEC. CONTRACTOR TO WIRE.

SYMBOL	MANUFACTURER	MODEL NO.	AREA SERVES	CFM	TONS	PH	VOLTS	HEATING TYPE	HEATING CAPACITY (BTUH)		COOLING CAPACITY (BTUH)		QTY	REMARKS
									MINIMUM	MAXIMUM	MINIMUM	MAXIMUM		
IDU-1	MITSUBISHI ELECTRIC	MSZ-FS18NA	CLASSROOM (MIDDLE SCHOOL)	514	1.5	1	208	ELECTRIC	6,450	21,000	5,150	30,000	19	NOTE-1
IDU-2	MITSUBISHI ELECTRIC	MSZ-GL24NA	GYMNASIUM (MIDDLE SCHOOL)	738	2.5	1	208	ELECTRIC	7,500	36,900	8,200	31,400	4	NOTE-1

NOTE-1:
MECHANICAL CONTRACTOR SHALL PROVIDE AND INSTALL
CONDENSATE PUMP FOR ALL INDOOR UNIT.

CONDENSING UNIT SCHEDULE

NOTE: PROVIDE DISC. SWITCH & STARTER BY ELECTRICAL CONTRACTOR. PROVIDE HEAVY DUTY WALL MOUNT BRACKET FOR ALL CONDENSING UNITS.

SYMBOL	MANUFACTURER	MODEL NO.	TON	REF	PH	VOLTS	MCA	AREA SERVES	QTY	REMARKS
CU-1	MITSUBISHI ELECTRIC	MUZ-FS18NAH	1.5	R410A	1	208/1	18	CLASSROOM (MIDDLE SCHOOL)	19	NEW UNIT
CU-2	MITSUBISHI ELECTRIC	MUZ-GL24NA-U1	2.5	R410A	1	208/1	18	GYMNASIUM (MIDDLE SCHOOL)	4	NEW UNIT

RUSSELL AND DAWSON INC.
ARCHITECTURE & ENGINEERING
1111 Main Street, East Hartford CT 06108
TEL: (860) 289-1100 FAX: (860) 289-2272 E-MAIL: info@russellanddawson.com

THIS DOCUMENT, THE IDEAS, CONCEPTS, DESIGN, AND SPECIFICATIONS, AND ALL INFORMATION CONTAINED HEREIN, IS THE PROPERTY OF RUSSELL AND DAWSON INC. AND IS NOT TO BE REPRODUCED, COPIED, OR TRANSMITTED IN ANY FORM OR BY ANY MEANS, ELECTRONIC OR MECHANICAL, INCLUDING PHOTOCOPYING, RECORDING, OR BY ANY INFORMATION STORAGE AND RETRIEVAL SYSTEM, WITHOUT THE WRITTEN PERMISSION OF RUSSELL AND DAWSON INC. THE USER SHALL BE RESPONSIBLE FOR OBTAINING ALL NECESSARY PERMITS AND APPROVALS FROM THE APPROPRIATE AGENCIES AND AUTHORITIES. THE USER SHALL BE RESPONSIBLE FOR OBTAINING ALL NECESSARY PERMITS AND APPROVALS FROM THE APPROPRIATE AGENCIES AND AUTHORITIES. THE USER SHALL BE RESPONSIBLE FOR OBTAINING ALL NECESSARY PERMITS AND APPROVALS FROM THE APPROPRIATE AGENCIES AND AUTHORITIES.

REVISIONS	
NO.	DESCRIPTION

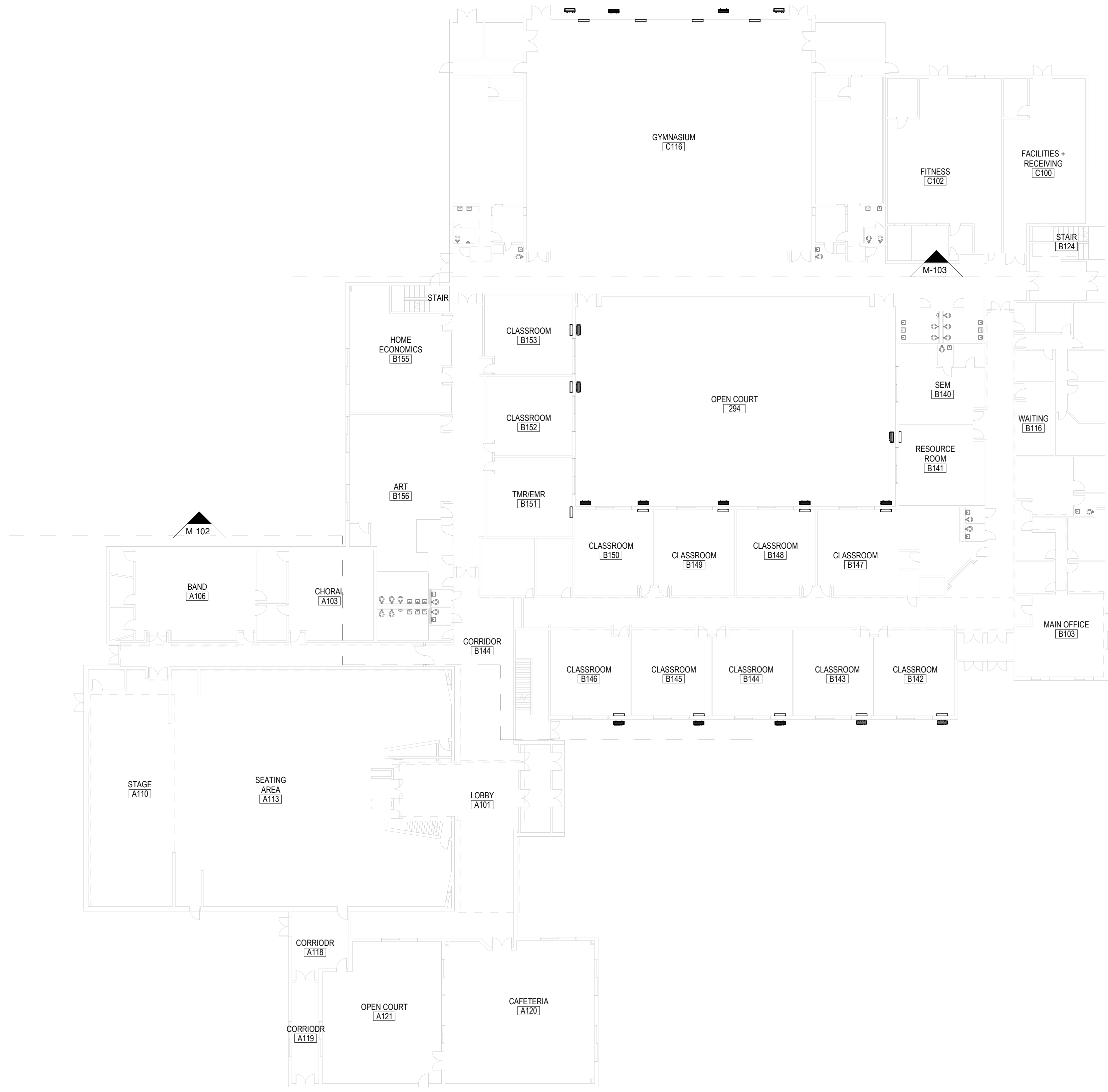
STAMP:

PROJECT: PUTNAM MIDDLE SCHOOL
35 WICKER ST., PUTNAM, CT 06260

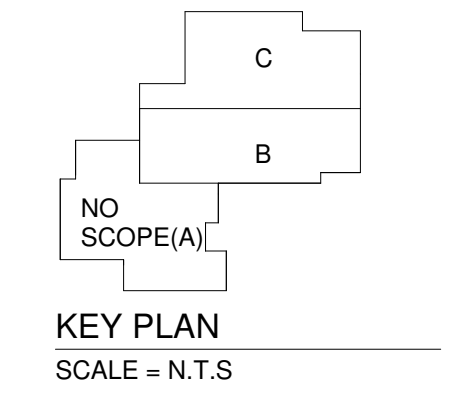
FILE NO: 24103.02
SCALE: AS NOTED
DATE: 07/10/2024
DRAWN BY: MF
CHECKED BY: HH

SHEET TITLE: MECHANICAL SCHEDULES
SHEET NUMBER: M-002

MECHANICAL DRAWING INDEX	
SHEET NUMBER	SHEET NAME
M-001	MECHANICAL NOTES, SPECIFICATION, SCHEDULES AND LEGENDS
M-002	MECHANICAL SCHEDULES
M-101	FIRST FLOOR OVERALL MECHANICAL PLAN
M-102	FIRST FLOOR MECHANICAL PLAN - PART B
M-103	FIRST FLOOR MECHANICAL PLAN - PART C
M-104	SECOND FLOOR MECHANICAL PLAN-PART B
M-300	MECHANICAL DETAILS



1 FIRST FLOOR OVERALL MECHANICAL PLAN
 M-101 3/64" = 1'-0"



RUSSELL AND DAWSON INC.
 ARCHITECTURE & ENGINEERING
 111 Main Street, East Hartford, CT 06108
 TEL: (860) 281-1100 FAX: (860) 281-3272 E-MAIL: info@rdawson.com

THIS DOCUMENT, THE IDEAS, CONCEPTS, DESIGN, AND SPECIFICATIONS, ARE THE PROPERTY OF RUSSELL AND DAWSON INC. AND MAY NOT BE REPRODUCED, COPIED, OR TRANSMITTED IN ANY FORM OR BY ANY MEANS, ELECTRONIC OR MECHANICAL, WITHOUT THE WRITTEN PERMISSION OF RUSSELL AND DAWSON INC. THE USER SHALL BE RESPONSIBLE FOR OBTAINING ALL NECESSARY PERMITS AND APPROVALS FROM THE APPROPRIATE AGENCIES AND AUTHORITIES. RUSSELL AND DAWSON INC. SHALL NOT BE RESPONSIBLE FOR ANY DAMAGE TO PERSONS OR PROPERTY ARISING OUT OF THE USE OF THIS DOCUMENT.

NO.	DESCRIPTION	DATE	BY

STAMP:

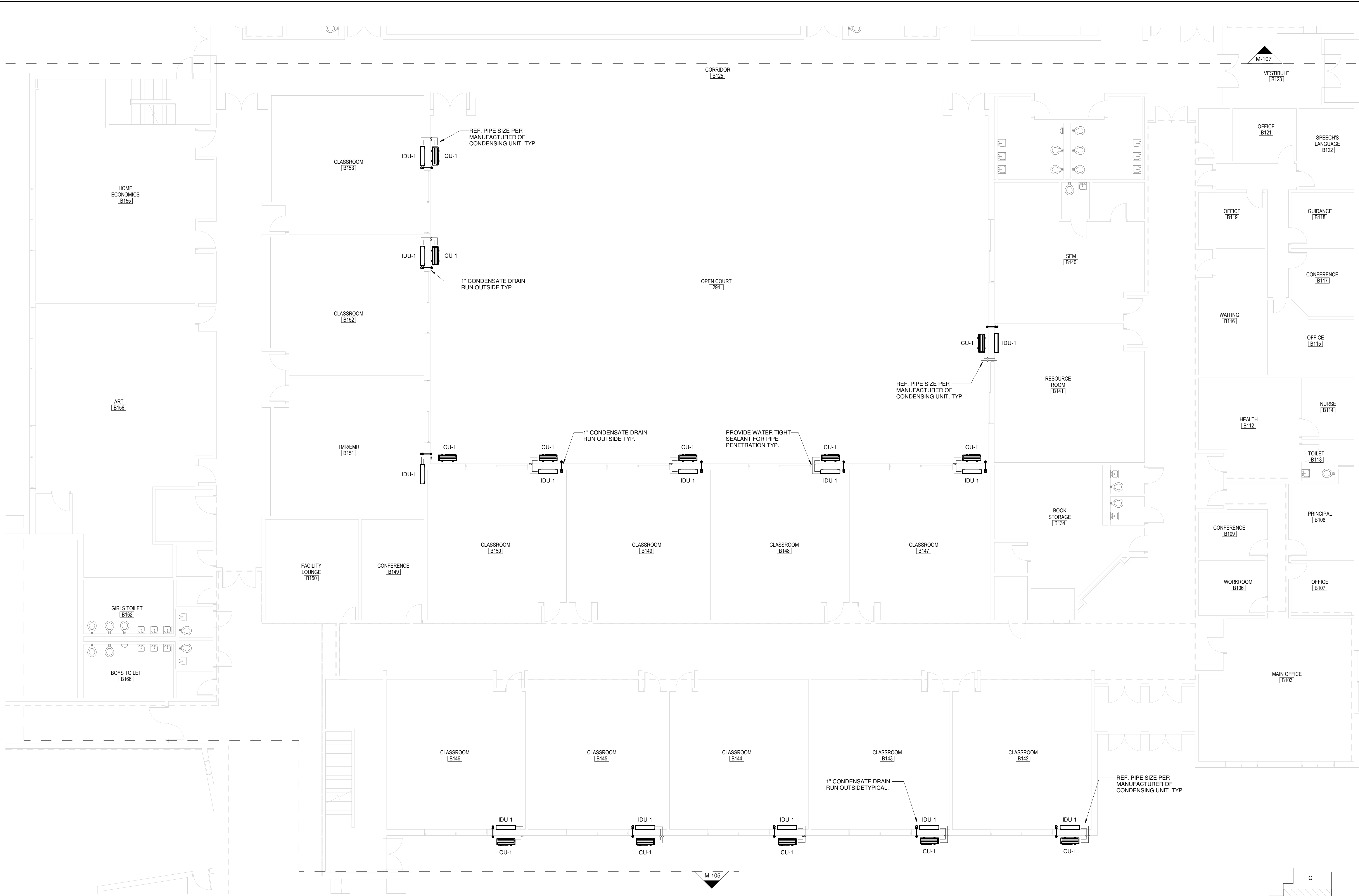
PROJECT: PUTNAM MIDDLE SCHOOL
 35 WICKER ST., PUTNAM, CT 06260

FILE NO:	24103.02
SCALE:	AS NOTED
DATE:	07/10/2024
DRAWN BY:	MF
CHECKED BY:	HH

SHEET TITLE:
FIRST FLOOR OVERALL MECHANICAL PLAN

SHEET NUMBER:
M-101

1 FIRST FLOOR MECHANICAL PLAN - PART B.
M-102 1/8" = 1'-0"



RUSSELL AND DAWSON INC.
ARCHITECTURE & ENGINEERING
111 Main Street, East Hartford, CT 06108
TEL: (860) 281-1100 FAX: (860) 281-2272 E-MAIL: russ@rdawson.com

THIS DOCUMENT, THE IDEAS, CONCEPTS, DESIGN, SPECIFICATIONS, AND INSTRUMENT OF PROFESSIONAL SERVICE, ARE THE PROPERTY OF RUSSELL AND DAWSON INC. AND MAY NOT BE USED, REPRODUCED, COPIED, OR TRANSMITTED IN ANY FORM OR BY ANY MEANS, WITHOUT THE WRITTEN PERMISSION OF RUSSELL AND DAWSON INC. THE USER SHALL BE RESPONSIBLE FOR OBTAINING ALL NECESSARY PERMITS AND APPROVALS FROM THE APPROPRIATE AGENCIES. THE USER SHALL BE RESPONSIBLE FOR OBTAINING ALL NECESSARY PERMITS AND APPROVALS FROM THE APPROPRIATE AGENCIES. THE USER SHALL BE RESPONSIBLE FOR OBTAINING ALL NECESSARY PERMITS AND APPROVALS FROM THE APPROPRIATE AGENCIES.

NO.	REVISIONS	DESCRIPTION	DATE	BY

STAMP:

PROJECT: PUTNAM MIDDLE SCHOOL
35 WICKER ST., PUTNAM, CT 06260

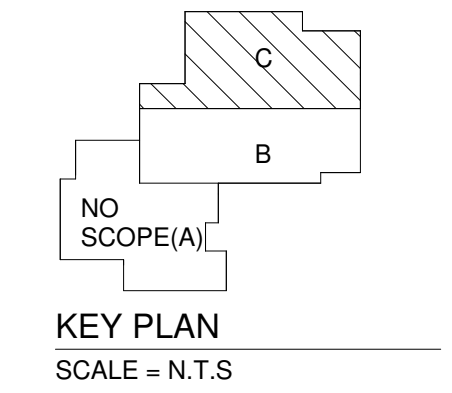
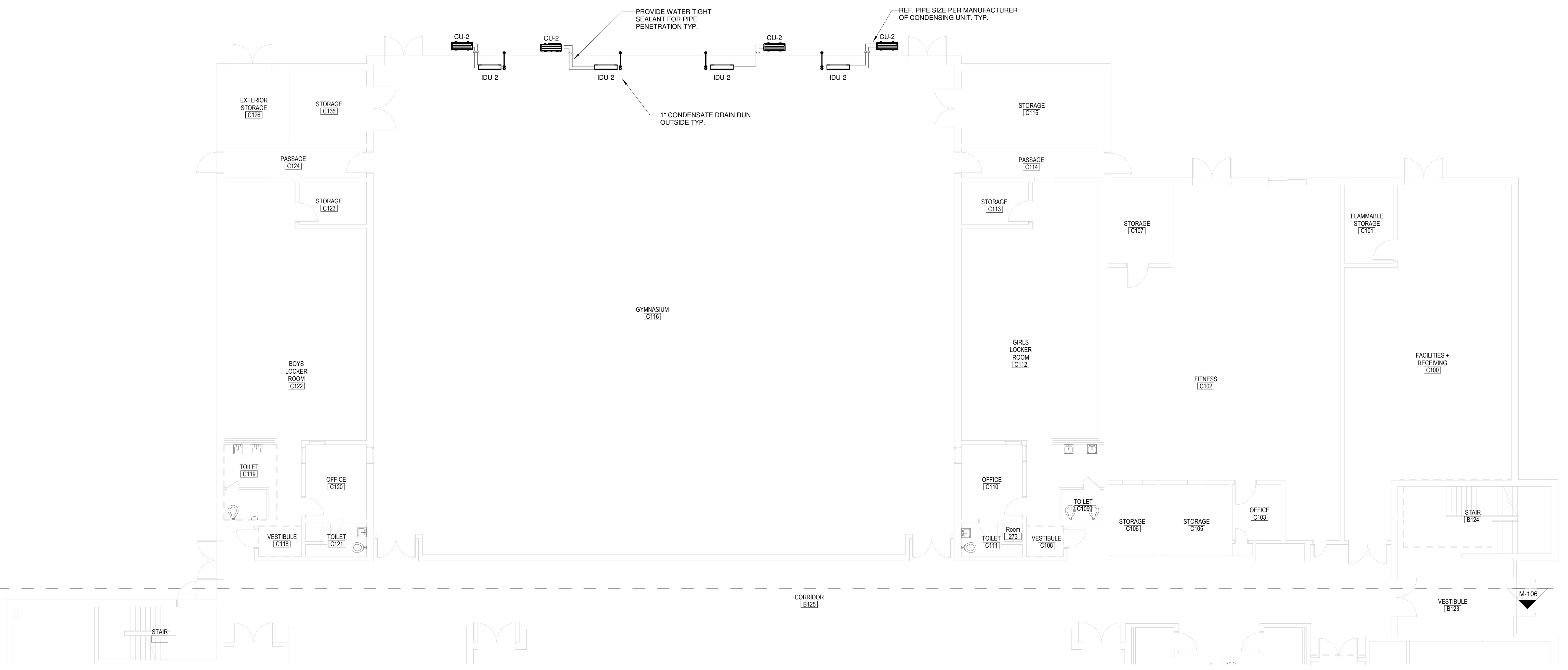
FILE NO:	SCALE:	DATE:	DRAWN BY:	CHECKED BY:
24103.02	AS NOTED	07/10/2024	MF	HH

SHEET TITLE: FIRST FLOOR MECHANICAL PLAN - PART B
SHEET NUMBER: M-102

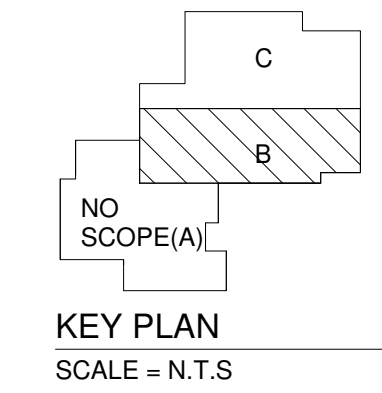
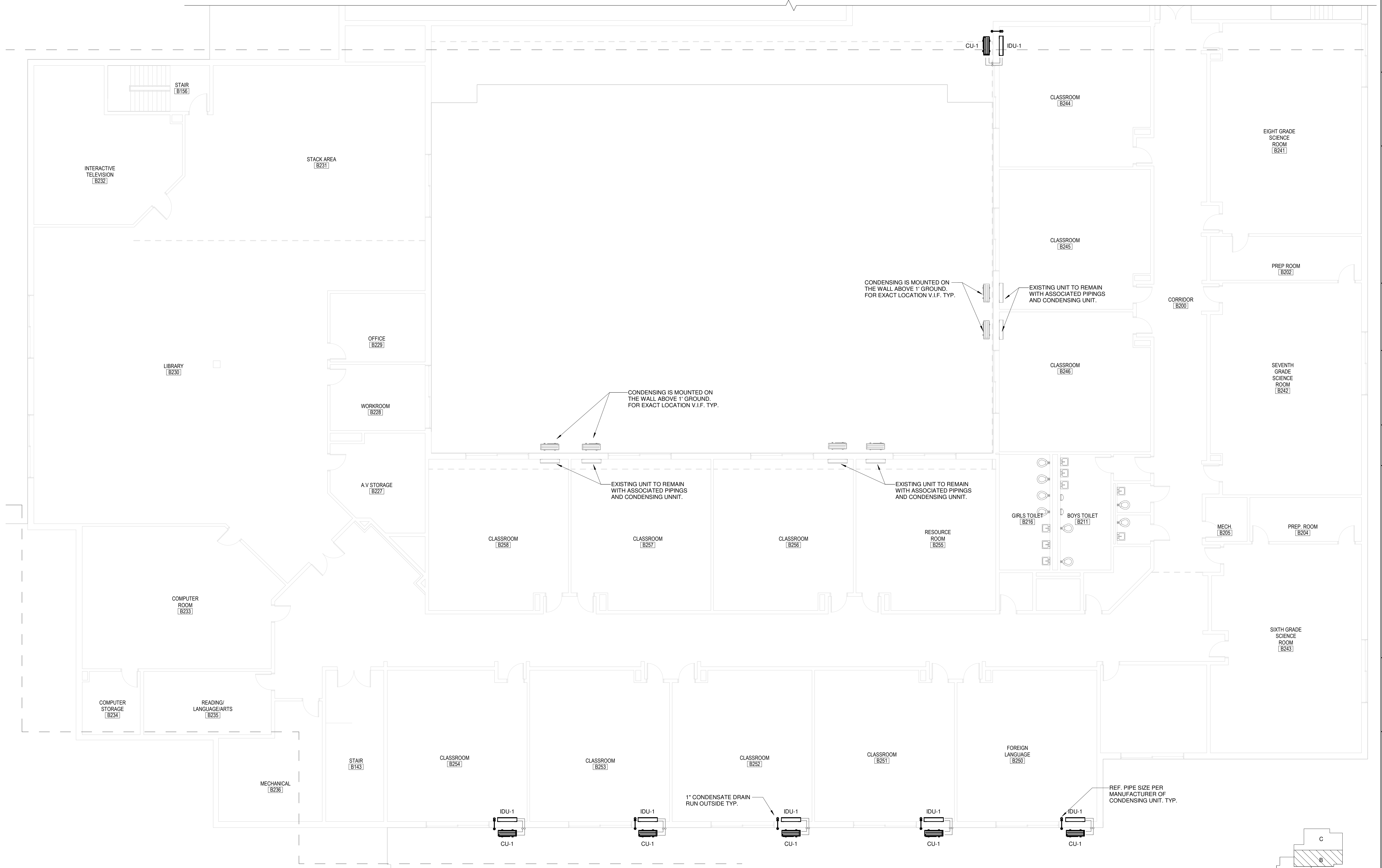
KEY PLAN SCALE - N.T.S.

30-07-2024 20:51:13

1 FIRST FLOOR MECHANICAL PLAN - PART C
M-103 1/8" = 1'-0"



<p>THIS DOCUMENT, THE IDEAS, CONCEPTS, DESIGN, SPECIFICATIONS, AND INSTRUMENT OF PROFESSIONAL SERVICE, ARE THE PROPERTY OF RUSSELL AND DAWSON INC. AND SHALL REMAIN THE PROPERTY OF RUSSELL AND DAWSON INC. AND SHALL NOT BE REPRODUCED, COPIED, OR TRANSMITTED IN ANY FORM OR BY ANY MEANS, ELECTRONIC OR MECHANICAL, INCLUDING PHOTOCOPYING, RECORDING, OR BY ANY INFORMATION STORAGE AND RETRIEVAL SYSTEM, WITHOUT THE WRITTEN PERMISSION OF RUSSELL AND DAWSON INC. THE USER SHALL BE RESPONSIBLE FOR OBTAINING ALL NECESSARY PERMITS AND APPROVALS FROM THE APPROPRIATE AGENCIES AND AUTHORITIES. THE USER SHALL BE RESPONSIBLE FOR OBTAINING ALL NECESSARY PERMITS AND APPROVALS FROM THE APPROPRIATE AGENCIES AND AUTHORITIES. THE USER SHALL BE RESPONSIBLE FOR OBTAINING ALL NECESSARY PERMITS AND APPROVALS FROM THE APPROPRIATE AGENCIES AND AUTHORITIES.</p>																									
<p>RUSSELL AND DAWSON INC. ARCHITECTURE & ENGINEERING 111 Main Street, East Hartford, CT 06108 TEL: (860) 281-1100 FAX: (860) 281-2721 E-MAIL: info@rdawson.com</p>																									
<p>FILE NO: 24103.02</p>	<p>PROJECT: PUTNAM MIDDLE SCHOOL</p>																								
<p>SCALE: AS NOTED</p>	<p>DATE: 07/10/2024</p>																								
<p>DRAWN BY: MF</p>	<p>CHECKED BY: HH</p>																								
<p>35 WICKER ST., PUTNAM, CT 06260</p>																									
<p>STAMP:</p>																									
<p>REVISIONS</p> <table border="1"> <thead> <tr> <th>NO.</th> <th>DESCRIPTION</th> <th>DATE</th> <th>BY</th> </tr> </thead> <tbody> <tr> <td> </td> <td> </td> <td> </td> <td> </td> </tr> <tr> <td> </td> <td> </td> <td> </td> <td> </td> </tr> <tr> <td> </td> <td> </td> <td> </td> <td> </td> </tr> <tr> <td> </td> <td> </td> <td> </td> <td> </td> </tr> <tr> <td> </td> <td> </td> <td> </td> <td> </td> </tr> </tbody> </table>		NO.	DESCRIPTION	DATE	BY																				
NO.	DESCRIPTION	DATE	BY																						
<p>SHEET TITLE: FIRST FLOOR MECHANICAL PLAN - PART C</p>																									
<p>SHEET NUMBER: M-103</p>																									



THIS DOCUMENT, THE IDEAS, THE DESIGN, THE CONCEPTS, THE INFORMATION, AND ANY INFORMATION OF RUSSELL AND DAWSON, INC. SHALL BE THE PROPERTY OF RUSSELL AND DAWSON, INC. AND SHALL NOT BE USED, REPRODUCED, COPIED, OR TRANSMITTED IN ANY FORM OR BY ANY MEANS, WITHOUT THE WRITTEN PERMISSION OF RUSSELL AND DAWSON, INC. ANY INFORMATION OF RUSSELL AND DAWSON, INC. IS TO BE KEPT CONFIDENTIAL AND IS TO BE HELD IN STRICTEST CONFIDENCE AND NOT DISCLOSED TO ANY OTHER PARTY WITHOUT THE WRITTEN PERMISSION OF RUSSELL AND DAWSON, INC.

RUSSELL AND DAWSON, INC.
ARCHITECTURE & ENGINEERING
111 Main Street, East Hartford, CT 06108
TEL: (860) 281-1105 FAX: (860) 281-2272 E-MAIL: info@rdawson.com

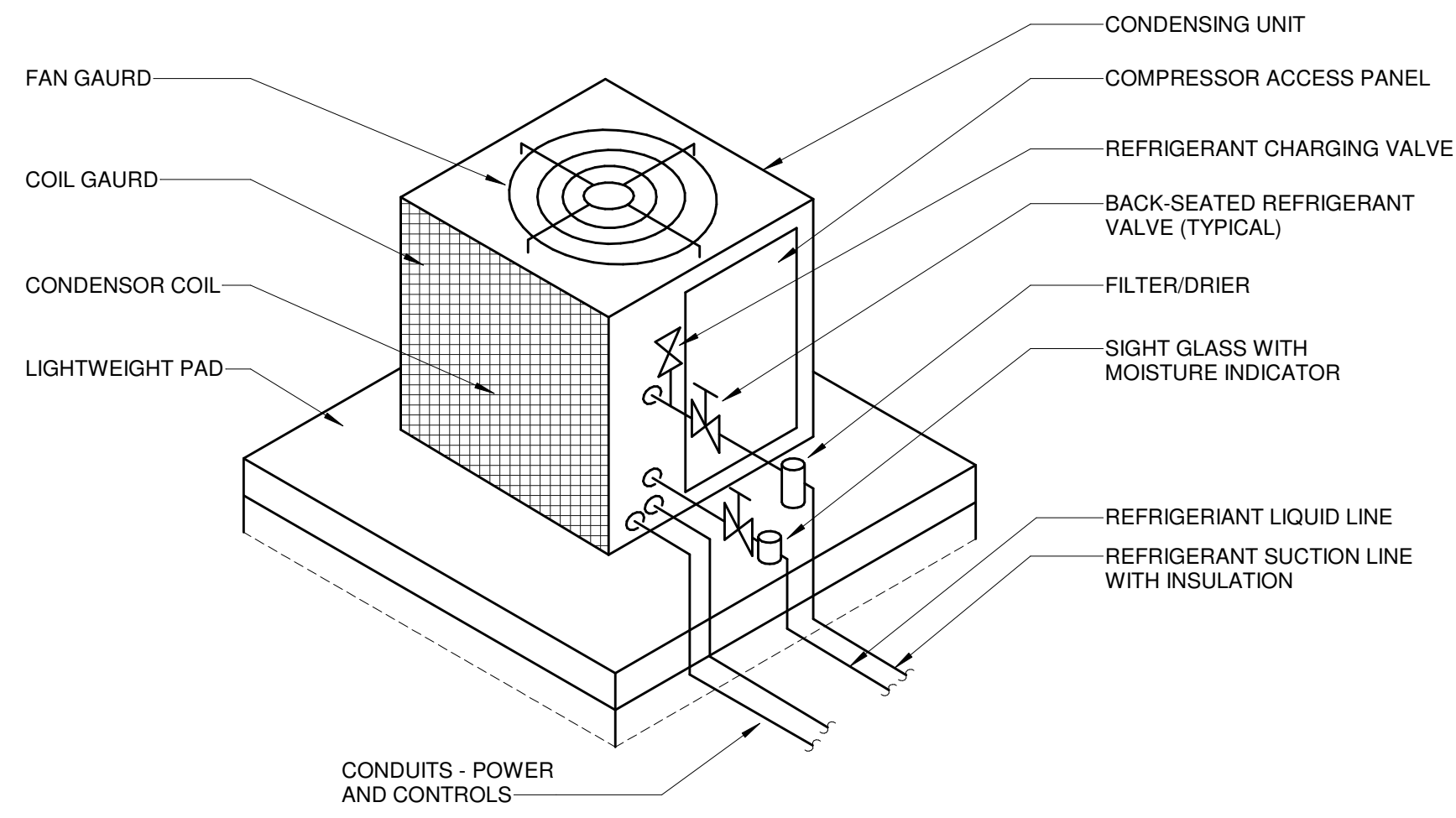
NO.	REVISIONS	DATE	BY

STAMP:

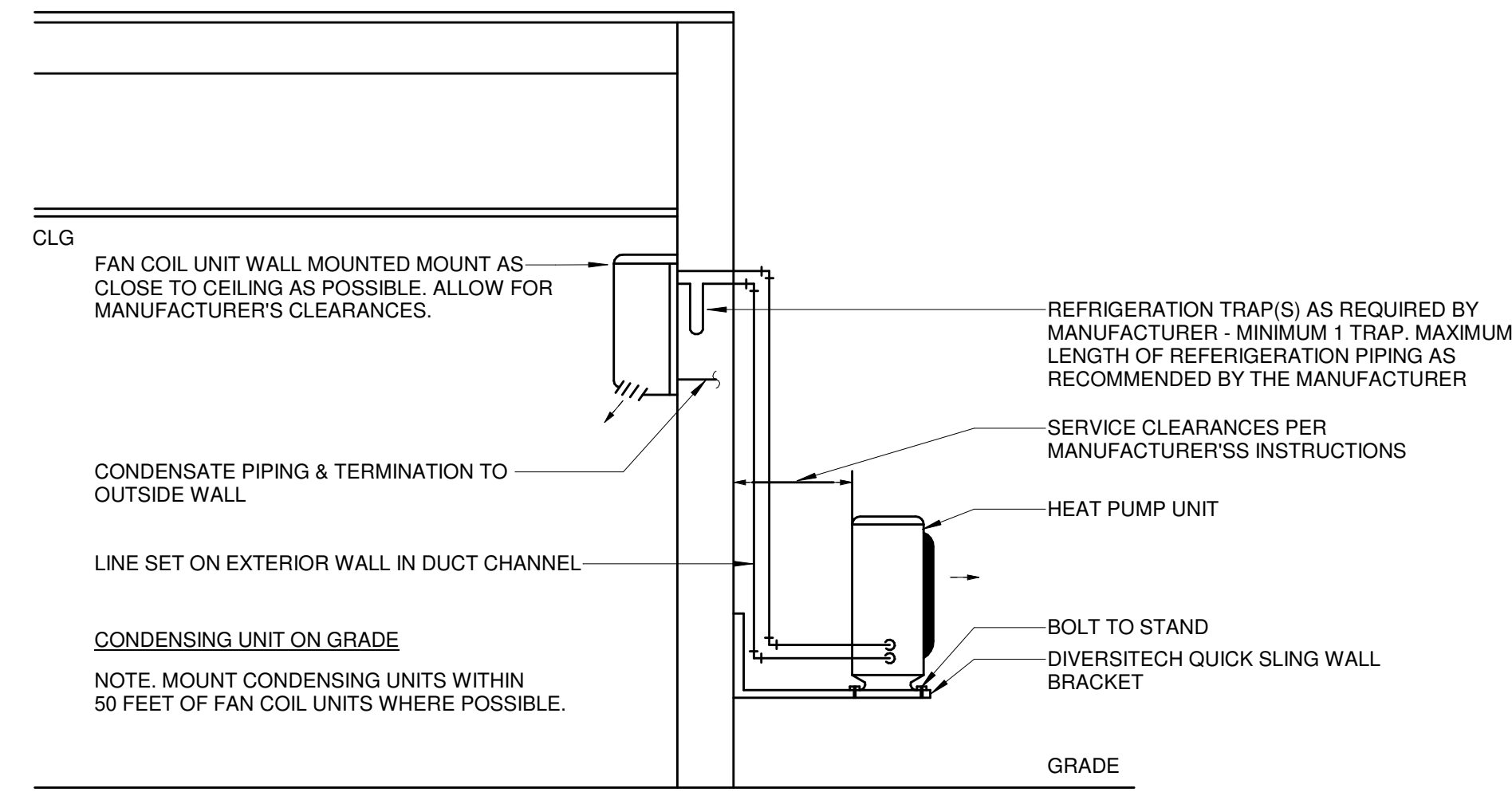
PROJECT: PUTNAM MIDDLE SCHOOL
35 WICKER ST., PUTNAM, CT 06260

FILE NO.: 24103.02	SCALE: AS NOTED	DATE: 07/10/2024	DRAWN BY: MF	CHECKED BY: HH
---------------------------	------------------------	-------------------------	---------------------	-----------------------

SHEET TITLE: SECOND FLOOR MECHANICAL PLAN-PART B
SHEET NUMBER: M-104



1 CONDENSING UNIT PIPING DIAGRAM
M-300 N.T.S.



CONDENSING UNIT ON GRADE

NOTE: MOUNT CONDENSING UNITS WITHIN 50 FEET OF FAN COIL UNITS WHERE POSSIBLE.

2 TYPICAL WALL MOUNTED SPLIT SYSTEM HEAT PUMP DETAIL
M-300 N.T.S.

NO.	DESCRIPTION	DATE	BY

THIS DOCUMENT, THE IDEAS, CONCEPTS, DESIGN, SPECIFICATIONS, AND INSTRUMENT OF PROFESSIONAL SERVICE, ARE THE PROPERTY OF RUSSELL AND DAWSON INC. AND SHALL REMAIN THE PROPERTY OF RUSSELL AND DAWSON INC. AND SHALL NOT BE USED, REPRODUCED, COPIED, OR TRANSMITTED IN ANY FORM OR BY ANY MEANS, ELECTRONIC OR MECHANICAL, INCLUDING PHOTOCOPYING, RECORDING, OR BY ANY INFORMATION STORAGE AND RETRIEVAL SYSTEM, WITHOUT THE WRITTEN PERMISSION OF RUSSELL AND DAWSON INC. THE USER'S SOLE RESPONSIBILITY AND LIABILITY SHALL BE FOR THE PROPER USE OF THIS DOCUMENT AND THE INFORMATION CONTAINED HEREIN. THE USER SHALL BE RESPONSIBLE FOR OBTAINING ALL NECESSARY PERMITS AND APPROVALS FROM THE APPROPRIATE AGENCIES AND AUTHORITIES. THE USER SHALL BE RESPONSIBLE FOR OBTAINING ALL NECESSARY PERMITS AND APPROVALS FROM THE APPROPRIATE AGENCIES AND AUTHORITIES. THE USER SHALL BE RESPONSIBLE FOR OBTAINING ALL NECESSARY PERMITS AND APPROVALS FROM THE APPROPRIATE AGENCIES AND AUTHORITIES.

RUSSELL AND DAWSON INC.
ARCHITECTURE & ENGINEERING
111 Main Street, East Haven, CT 06108
TEL: (860) 295-1100 FAX: (860) 295-3272 E-MAIL: info@rdawson.com

ELECTRICAL FIXTURE LEGEND	
SYMBOL	DESCRIPTION
	MOTOR, SEE SCHEDULE
	MOTORIZED SCREEN / DOOR
	LOW VOLTAGE TRANSFORMER
	JUNCTION BOX
	WALL MOUNTED JUNCTION BOX
	CEILING MOUNTED JUNCTION BOX
	SIMPLEX RECEPTACLE
	DUPLEX RECEPTACLE
	SWITCHED DUPLEX RECEPTACLE
	DUPLEX GFI RECEPTACLE
	QUAD GFI RECEPTACLE
	DUPLEX RECEPTACLE USB
	QUAD RECEPTACLE
	QUAD RECEPTACLE USB
	SPECIAL NEMA RATED RECEPTACLE
	SPECIAL HARDWIRED CONNECTION
	SIMPLEX RECEPTACLE IN FLUSH MOUNTED FLOOR BOX
	DUPLEX RECEPTACLE IN FLUSH MOUNTED FLOOR BOX
	HALF SWITCHED DUPLEX RECEPTACLE IN FLUSH MOUNTED FLOOR BOX
	QUAD RECEPTACLE IN FLUSH MOUNTED FLOOR BOX
	SPECIAL NEMA RATED RECEPTACLE IN FLUSH MOUNTED FLOOR BOX
	SPECIAL HARDWIRED CONNECTION IN FLUSH MOUNTED FLOOR BOX
	FLUSH MOUNTED PANELBOARD \ LOAD CENTER
	SURFACE MOUNTED PANELBOARD \ LOAD CENTER
	FLUSH MOUNTED SPECIAL PURPOSE METAL ENCLOSURE
	SURFACE MOUNTED SPECIAL PURPOSE METAL ENCLOSURE
	BRANCH CIRCUIT WIRING IN CONDUIT
	SWITCHED BRANCH CIRCUIT IN CONDUIT
	BRANCH CIRCUIT HOMERUN INDICATOR IN CONDUIT
	CONTROL WIRE
	THERMOSTAT
	FLOOR BOX
	DISCONNECT SWITCH

MISCELLANEOUS DEVICE LEGEND	
SYMBOL	DESCRIPTION
	CIRCUIT BREAKER, RATING AS SHOWN
	ELECTRICAL GROUND, SIZE AS SHOWN
	SLEEVES THROUGH RATED WALLS \ FLOORS, FIRESTOP AS REQUIRED
	EQUIPMENT TAG, SEE INDIVIDUAL NOTE BOX
	WIRE TAG, SEE INDIVIDUAL NOTE BOX
	ONE LINE, MAIN CIRCUIT BREAKER PANEL
	ONE LINE, MAIN LUG ONLY PANEL
	MOTORIZED DAMPER
	FIRE AND SMOKE DAMPER

LIGHT FIXTURE LEGEND	
SYMBOL	DESCRIPTION
	RECESSED MOUNTED LIGHT FIXTURE
	RECESSED MOUNTED LIGHT FIXTURE WITH BATTERY BACK-UP POWER SUPPLY
	SURFACE MOUNTED LIGHT FIXTURE
	SURFACE MOUNTED LIGHT FIXTURE WITH BATTERY BACK-UP POWER SUPPLY
	RECESSED MOUNTED 2' x 2' FTL. FIXTURE
	CEILING MOUNTED EXIT SIGN WITH BATTERY BACK-UP POWER SUPPLY, SEE PLANS FOR FACE AND DIRECTION OF TRAVEL CONFIGURATIONS
	WALL MOUNTED EXIT SIGN WITH BATTERY BACK-UP POWER SUPPLY, SEE PLANS FOR FACE AND DIRECTION OF TRAVEL CONFIGURATIONS
	SIDE WALL EXIT SIGN WITH BATTERY BACK-UP POWER SUPPLY, SEE PLANS FOR FACE AND DIRECTION OF TRAVEL CONFIGURATIONS
	EMERGENCY DUAL HEAD FIXTURE WITH BATTERY BACK-UP POWER SUPPLY
	EMERGENCY DUAL HEAD FIXTURE WITH BATTERY BACK-UP POWER SUPPLY AND REMOTE CAPABILITIES
	BATTERY BACK-UP POWER SUPPLY FOR REMOTE HEADS
	EMERGENCY REMOTE DUAL HEAD FIXTURE
	EMERGENCY REMOTE HEAD FIXTURE
	RECESSED MOUNTED DOWN LIGHT FIXTURE
	RECESSED MOUNTED DOWN LIGHT FIXTURE WITH BATTERY BACK-UP POWER SUPPLY
	SURFACE MOUNTED DOWN LIGHT FIXTURE
	SURFACE MOUNTED DOWN LIGHT FIXTURE WITH BATTERY BACK-UP POWER SUPPLY
	WALL MOUNTED LINEAR LIGHT FIXTURE
	WALL MOUNTED LINEAR LIGHT FIXTURE WITH BATTERY BACK-UP POWER SUPPLY
	INTERIOR WALL MOUNTED SCNCE LIGHT FIXTURE
	INTERIOR WALL MOUNTED SCNCE LIGHT FIXTURE WITH BATTERY BACK-UP POWER SUPPLY
	EXTERIOR WALL MOUNTED LIGHT FIXTURE
	EXTERIOR WALL MOUNTED LIGHT FIXTURE WITH BATTERY BACK-UP POWER SUPPLY
	SINGLE POLE LIGHT SWITCH
	THREE-WAY TOGGLE SWITCH
	SINGLE POLE DIMMER SWITCH
	KEYED SWITCH
	PILOT SWITCH
	CONTROL SWITCH FOR MOTORISED SHADES
	TIMER SWITCH
	EMERGENCY SWITCH

LOW VOLTAGE DEVICE LEGEND	
FIRE ALARM	
SYMBOL	DESCRIPTION
	FIRE ALARM CONTROL PANEL
	FIRE ALARM ANNUNCIATOR PANEL
	FIRE ALARM END OF LINE RESISTOR
	FIRE ALARM PULL STATION, WALL MOUNTED AT 48" AFF., 'S' INDICATES STOPPER COVER DEVICE WHERE SHOWN
	ADDRESSABLE PHOTO ELECTRIC SMOKE DETECTOR
	FIRE ALARM DUCT MOUNTED SMOKE DETECTOR WITH HOUSING
	REMOTE INDICATOR AND TEST STATION FOR DUCT MOUNTED DETECTORS
	FIRE ALARM HEAT DETECTOR
	ELEVATOR RECALL SYSTEM FIRE ALARM SMOKE DETECTOR
	ELEVATOR RECALL SYSTEM FIRE ALARM HEAT DETECTOR
	FIRE ALARM MODULE FOR FIRE PROTECTION PRESSURE SWITCH
	FIRE ALARM MODULE FOR FIRE PROTECTION FLOW SWITCH
	FIRE ALARM MODULE FOR FIRE PROTECTION TAMPER SWITCH
	FIRE ALARM CONTROL MODULE
	FIRE ALARM MONITOR MODULE
	FIRE ALARM HORN/STROBE DEVICE, WALL MOUNTED AT 6'8" AFF. OR 6' BELOW CEILING, WHICHEVER IS LOWER, WITH ADA 15/75 CANDELA STROBE
	FIRE ALARM HORN/STROBE (LOW FREQUENCIES) DEVICE, WALL MOUNTED AT 6'8" AFF. OR 6' BELOW CEILING, WHICHEVER IS LOWER, WITH ADA 15/75 CANDELA STROBE
	FIRE ALARM STROBE DEVICE, WALL MOUNTED AT 6'8" AFF. OR 6' BELOW CEILING, WHICHEVER IS LOWER, WITH ADA 15/75 CANDELA STROBE
	FIRE ALARM STROBE DEVICE, WALL MOUNTED AT 6'8" AFF. OR 6' BELOW CEILING, WHICHEVER IS LOWER, WITH 177 CANDELA STROBE
	CARBON MONOXIDE DETECTOR
	ADDRESSABLE INTERFACE DEVICE
	MAGNETIC HOLD OPEN DEVICE

COMMUNICATION DEVICE LEGEND	
SYMBOL	DESCRIPTION
	EMERGENCY CALL-FOR-AID WALL MOUNTED LIGHT AND BUZZER UNIT
	EMERGENCY CALL-FOR-AID SWITCH WITH PULL CORD
	WALL MOUNTED SYSTEM CLOCK
	FLUSH TO CEILING MOUNTED SYSTEM SPEAKER
	SURFACE, CEILING MOUNTED SYSTEM SPEAKER
	WALL MOUNTED SYSTEM SPEAKER
	WALL MOUNTED HORN TYPE/CLOUD SYSTEM SPEAKER
	COMBINATION WALL MOUNTED SYSTEM SPEAKER AND CLOCK
	MICROPHONE OUTLET
	DATA OUTLET & RACEWAY, TWO GANG BACKBOX WITH 1" CONDUIT STUBBED INTO AN ACCESSIBLE CEILING, PROVIDE WITH NYLON PULL STRING
	COMBINATION DATA \ TELEPHONE OUTLET & RACEWAY, TWO GANG BACKBOX WITH 1" CONDUIT STUBBED INTO AN ACCESSIBLE CEILING, PROVIDE WITH NYLON PULL STRING
	TELEPHONE OUTLET & RACEWAY, TWO GANG BACKBOX WITH 1" CONDUIT STUBBED INTO AN ACCESSIBLE CEILING, PROVIDE WITH NYLON PULL STRING
	WALL TELEPHONE OUTLET & RACEWAY, TWO GANG BACKBOX MOUNTED AT 48" AFF WITH 1" CONDUIT STUBBED INTO AN ACCESSIBLE CEILING, PROVIDE WITH NYLON PULL STRING
	DATA OUTLET IN FLUSH MOUNTED FLOOR BOX, CABLING BY OTHERS
	COMBINATION DATA \ TELEPHONE OUTLET IN FLUSH MOUNTED FLOOR BOX, CABLING BY OTHERS
	TELEPHONE OUTLET IN FLUSH MOUNTED FLOOR BOX, CABLING BY OTHERS
	CATV OUTLET & RACEWAY, TWO GANG BACKBOX WITH 1" CONDUIT STUBBED INTO AN ACCESSIBLE CEILING, PROVIDE WITH NYLON PULL STRING
	HOUSE PHONE
	TELEPHONE STROBE
	INTERCOM
	CARD READER
	WIRELESS DATA ACCESS POINT
	TV CABLE OUTLET
	DOOR RELEASE STATION
	DURESS ALARM BUTTON
	DOORBELL PUSH BUTTON
	DOOR ANNUNCIATOR AUDIBLE/ VISUAL SIGNALING DEVICE WITH HORN/ STROBE, ASSOCIATED TRANSFORMER LOCATED ABOVE ACCESSIBLE CEILING AND DOORBELL DISABLE SWITCH, EDWARDS OFA- SERIES 7005-G5.

ELECTRICAL ABBREVIATIONS			
TAG	DEFINITION	TAG	DEFINITION
A/AMP	AMPERAGE	MCB	MAIN CIRCUIT BREAKER
AC	ALTERNATING CURRENT	MCC	MOTOR CONTROL CENTER
AFB	ABOVE FINISHED FLOOR	MCCB	MOLDED CASE CIRCUIT BREAKER
AFG	ABOVE FINISHED GRADE	MH	METAL HALIDE
AFCI	ARC FAULT CIRCUIT INTERRUPTER	MIN	MINIMUM
AIC	AMPS INTERRUPTING CURRENT	MLO	MAIN LUGS ONLY
AL	ALUMINUM	NA	NOT APPLICABLE
ATS	AUTOMATIC TRANSFER SWITCH	NEC	NATIONAL ELECTRIC CODE
AWG	AMERICAN WIRE GAUGE	NIC	NOT IN CONTRACT
C	CONDUIT	NL	NEW LOCATION OF EXISTING RELOCATED
CATV	CABLE TELEVISION	NR	NEW TO REPLACE EXISTING
C/B	CIRCUIT BREAKER	NTS	NOT TO SCALE
CM	CEILING MOUNT	P	POLE
CT	CURRENT TRANSFORMER	PE	PRIMARY ELECTRICAL SERVICE
CU	COPPER	PH	PHASE
DN	DOWN	PNL	PANEL
DWG	DRAWING	PVC	POLYVINYL CHLORIDE CONDUIT
EXTG	EXISTING	RE	REMOVE EXISTING
E	EXISTING TO REMAIN	RGS	RIGID GALVANIZED STEEL CONDUIT
ELEC	ELECTRICAL	RL	RELOCATE EXISTING
ELEV	ELEVATOR	RM	ROOM
EMT	ELECTRICAL METALLIC TUBING	RR	REMOVE AND REPLACE ON NEW SURFACE
FA	FIRE ALARM	SE	SECONDARY ELECTRICAL SERVICE
FACP	FIRE ALARM CONTROL PANEL	SPEC	SPECIFICATION
G/GND	GROUND	SWBD	SWITCHBOARD
GFI	GROUND FAULT INTERRUPTER	TV	TELEVISION
GFCI	GROUND FAULT CIRCUIT INTERRUPTER	TVSS	TRANSIENT VOLTAGE SURGE SUPPRESSION
HP	HORSE POWER	T/TX	TRANSFORMER
HPS	HIGH PRESSURE SODIUM	TYP	TYPICAL
HZ	HERTZ	V	VOLTS
IG	ISOLATED GROUND	VA	VOLT AMPERE
KCMIL	THOUSAND CIRCULAR MILS	W	WIRE
KVA	KILOVOLT AMPERE	WG	WIRE GUARD
KW	KILOWATT	WP	WEATHER PROOF
MAX	MAXIMUM		

THIS DOCUMENT, THE IDEAS, THE DESIGN, THE DRAWINGS, AND ALL INFORMATION CONTAINED HEREIN, ARE THE PROPERTY OF RUSSELL AND DAWSON, INC. NO PART OF THIS DOCUMENT IS TO BE REPRODUCED OR TRANSMITTED IN ANY FORM OR BY ANY MEANS, ELECTRONIC OR MECHANICAL, INCLUDING PHOTOCOPYING, RECORDING, OR BY ANY INFORMATION STORAGE AND RETRIEVAL SYSTEM, WITHOUT THE WRITTEN PERMISSION OF RUSSELL AND DAWSON, INC.

RUSSELL AND DAWSON, INC. ARCHITECTURE & ENGINEERING
 1111 Main Street, East Hartford, CT 06108
 TEL: (860) 283-1100 FAX: (860) 283-5272 E-MAIL: russd@rdawson.com

REVISIONS	
NO.	DESCRIPTION

SHEET TITLE:
ELECTRICAL LEGENDS AND SYMBOL

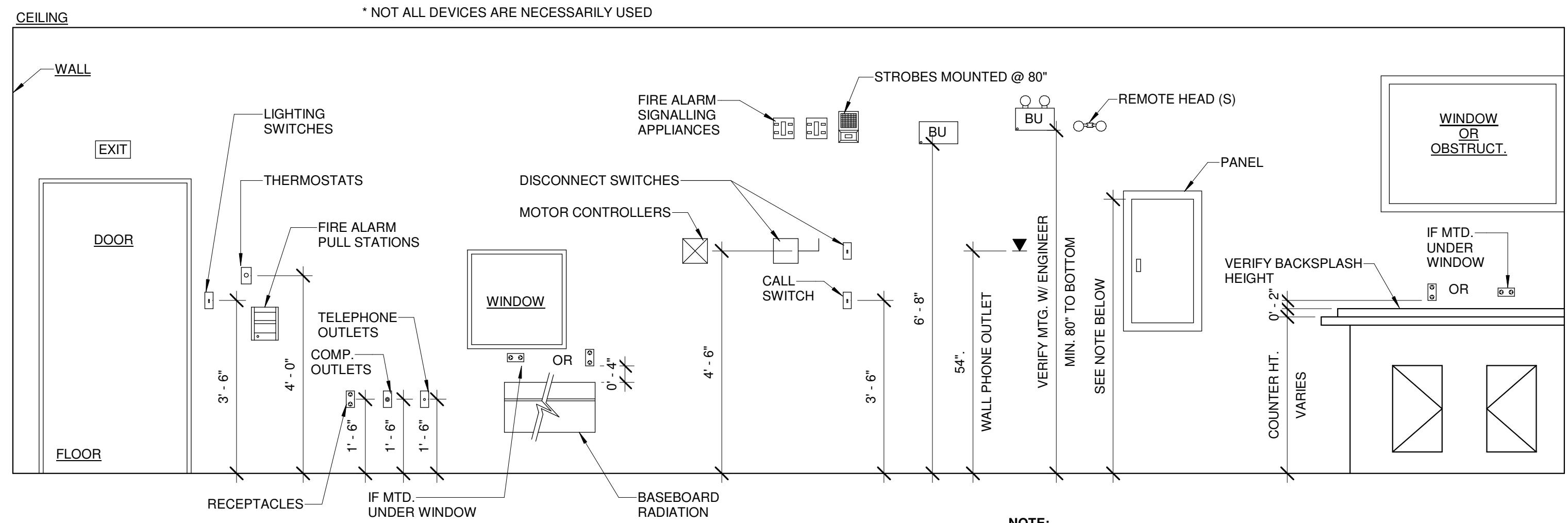
PROJECT:
PUTNAM MIDDLE SCHOOL

ADDRESS:
35 WICKER ST., PUTNAM, CT 06260

FILE NO.: 24103.02
 SCALE: AS NOTED
 DATE: 07/10/2024

DRAWN BY: YP
 CHECKED BY: MA

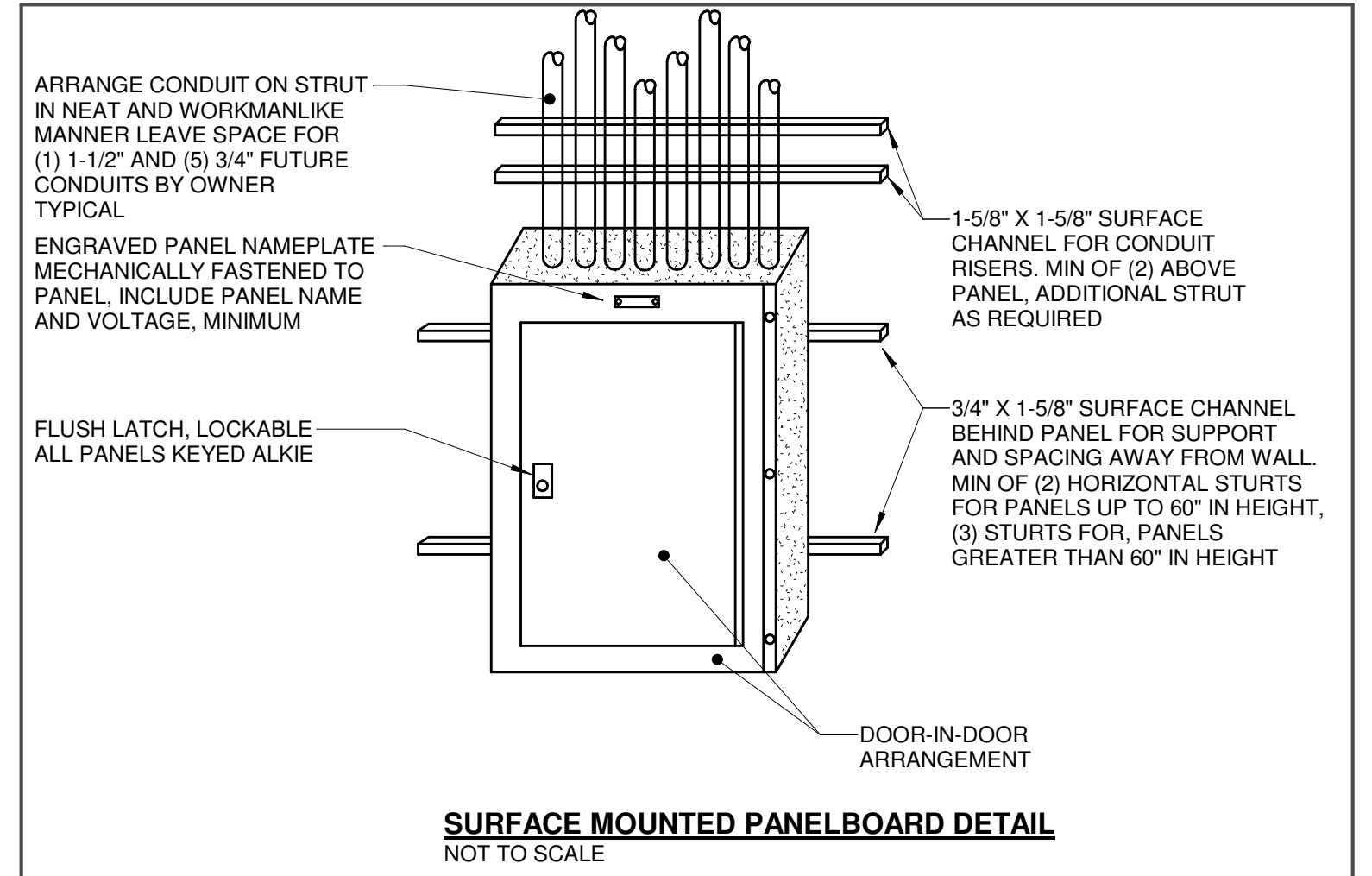
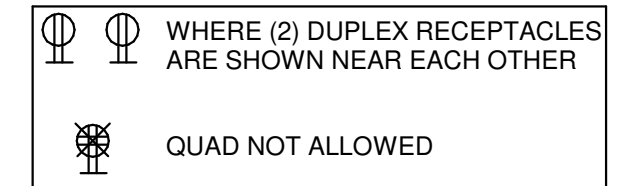
SHEET NUMBER:
E-002



TYPICAL DEVICE MOUNTING HEIGHTS ELEVATION
NOT TO SCALE

NOTE:
PANELBOARDS - NOT HIGHER THAN 6' 7" TO HIGHEST CIRCUIT BREAKER

- NOTES:**
- THE ABOVE MOUNTING HEIGHTS SHALL APPLY TO ALL DEVICES UNLESS NOTED OTHERWISE ON THE PLANS. ALL NOTED DIMENSIONS ARE TO THE CENTERLINE OF THE DEVICE FROM THE FINISHED FLOOR.
 - WHERE EXISTING OR SPECIAL CONDITIONS PREVENT THE INSTALLATION OF DEVICES AT THE ABOVE HEIGHTS, THE E.C. SHALL VERIFY HEIGHTS ON SITE WITH ARCHITECT.
 - ALL DEVICES IN FINISHED AREAS SHALL BE INSTALLED IN FLUSH DEVICE BOXES NO SURFACE BOXES SHALL BE ALLOWED WITHOUT PRIOR APPROVAL OF THE ARCHITECT.
 - E.C. SHALL VERIFY FINAL WORKBENCH, COUNTER, CABINET OR VENITY HEIGHTS INCLUDING BACKSPASH, ON SITE WITH G.C. PRIOR TO INSTALLATION OF BOXES, ABOVE COUNTER DEVICES NOTED BY (*)
 - INSTALL RECEPTACLES HORIZONTALLY, 4" ABOVE BASEBOARD RADIATION. REFER TO M-SERIES (DIV. 15) SHEETS FOR RADIATION LAYOUT
 - WHERE SHOWN BACK TO BACK, OFFSET BOXES IN STUDBAYS.

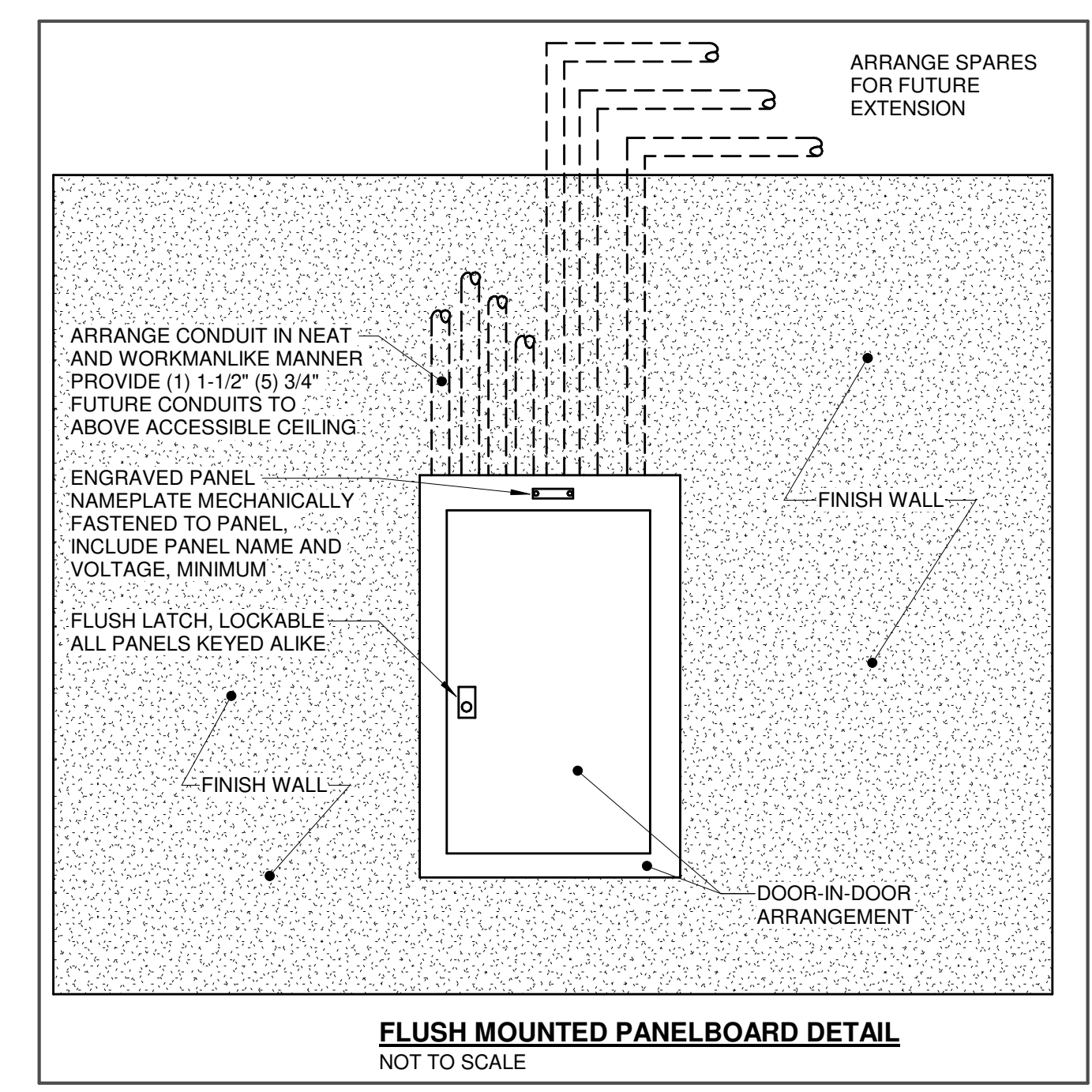
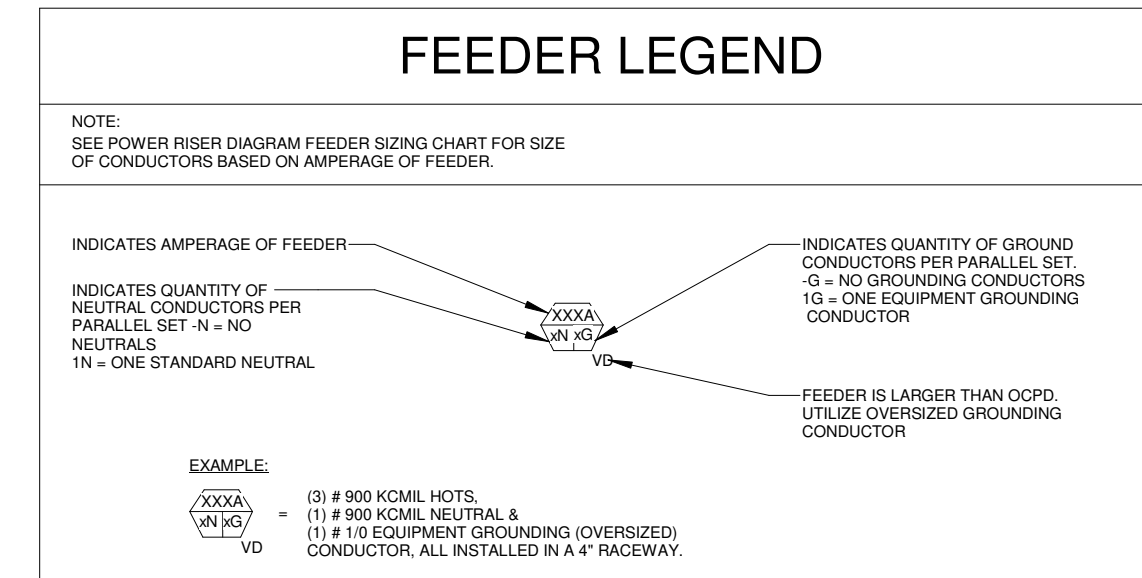


SURFACE MOUNTED PANELBOARD DETAIL
NOT TO SCALE

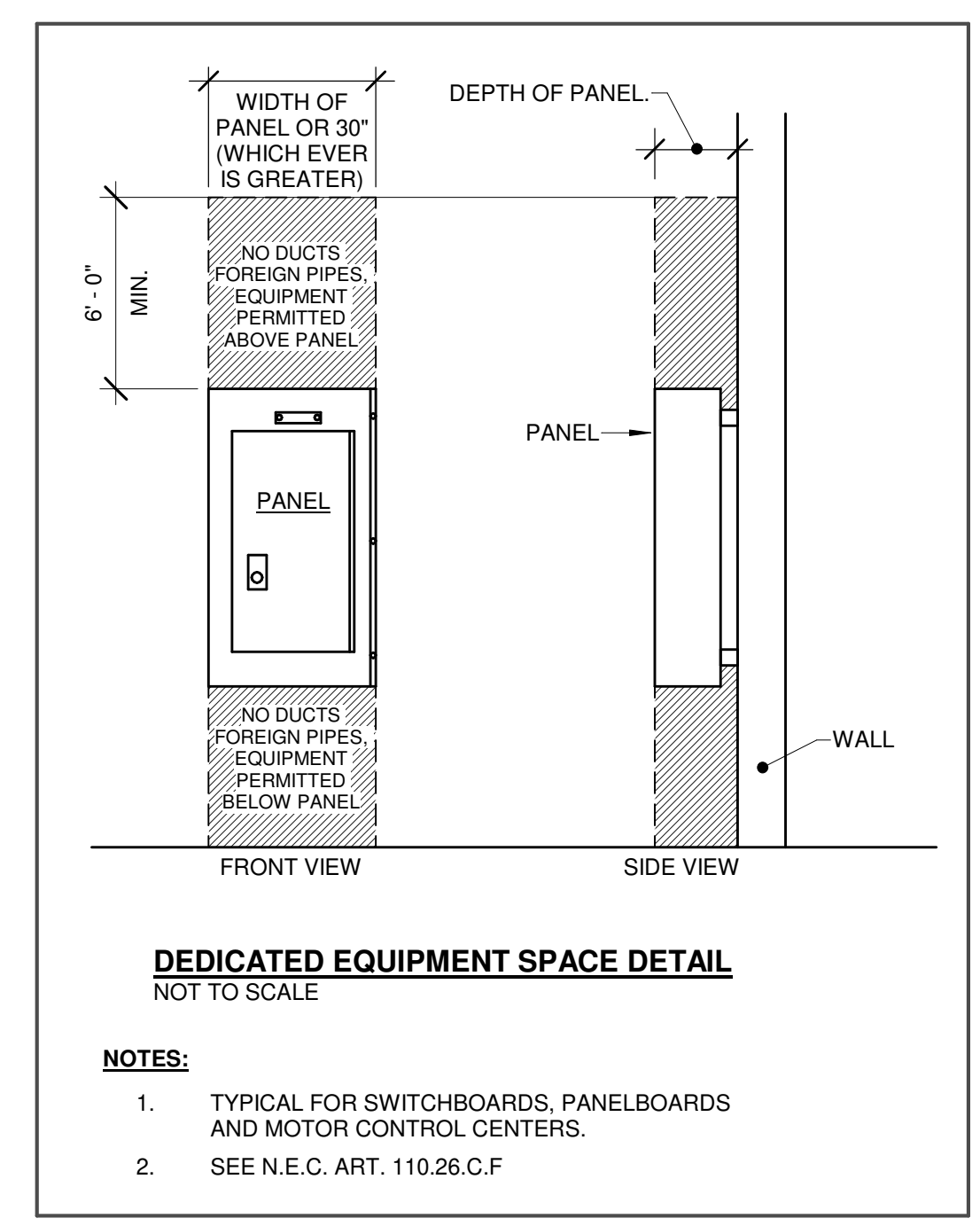
FEEDER CHART	
	(4) # 2 & (1) # 4 GND IN 1-1/2".
	(4) # 3/0 & (1) # 1 GND IN 2-1/2".

NOTES:

- ALL CONDUCTORS LISTED ABOVE ARE THHN/THWN COPPER CONDUCTORS RATED AT 75 DEGREE CELSIUS.
- ALL THE FEEDERS ARE SIZED ALLOWING A MAXIMUM OF 3% VOLTAGE DROP AT BRANCH PANEL LOCATIONS.
- PROVIDE AUXILIARY LARGER SIZE LUGS AND OVERSIZED GUTTERS IN DISTRIBUTION EQUIPMENT TO ACCOMMODATE OVERSIZED CONDUCTORS DUE TO VOLTAGE DROP.

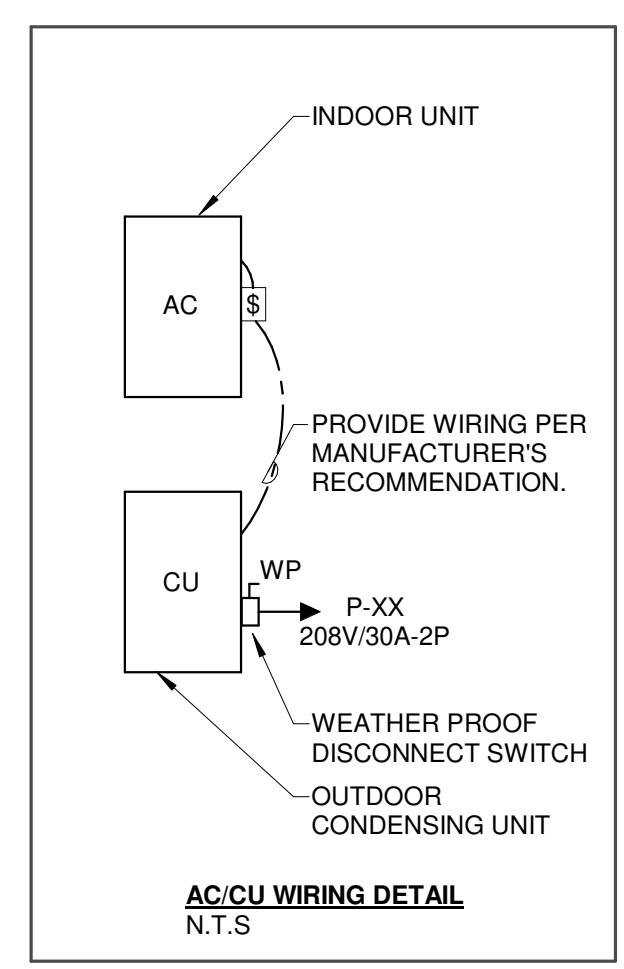


FLUSH MOUNTED PANELBOARD DETAIL
NOT TO SCALE

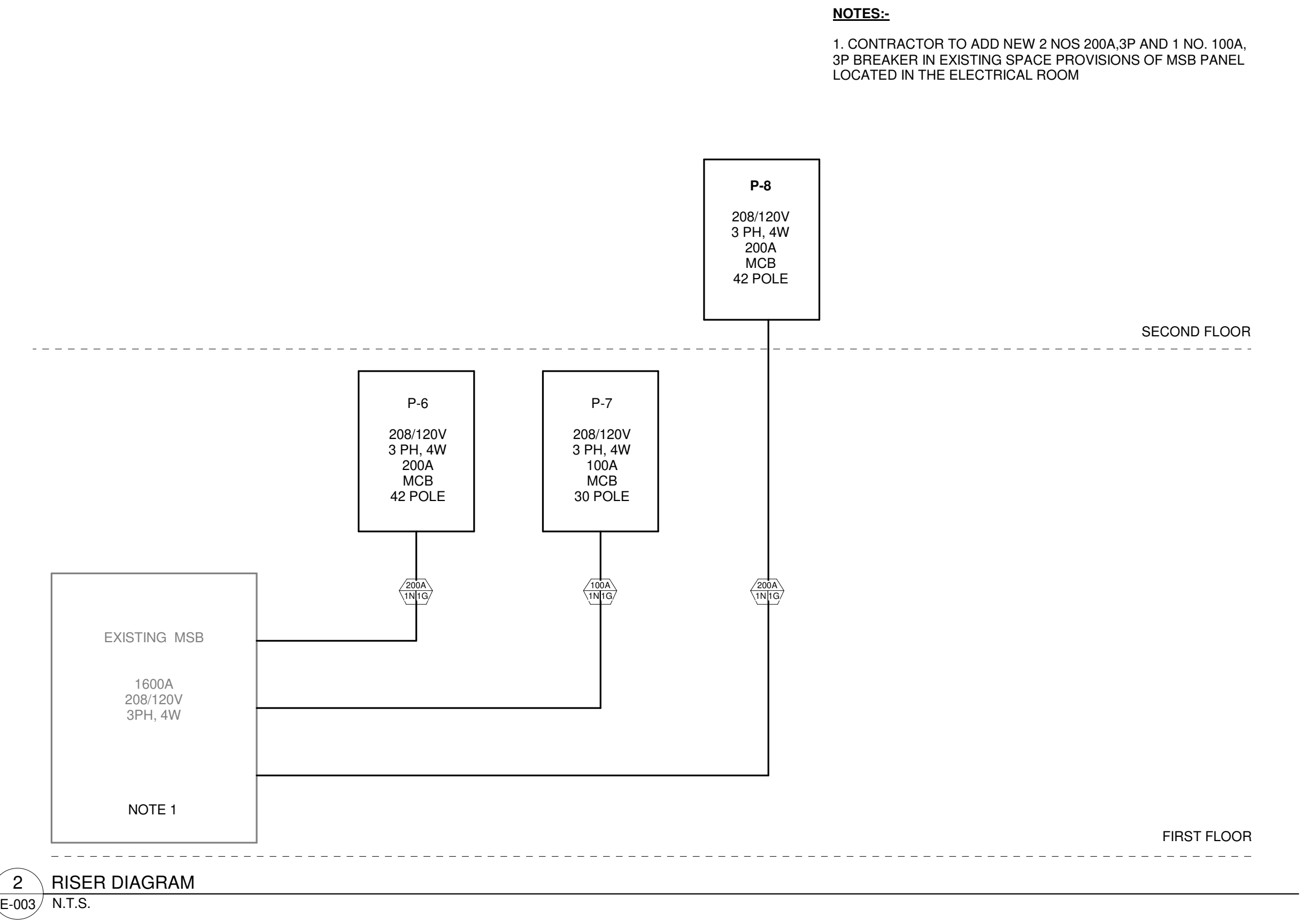


DEDICATED EQUIPMENT SPACE DETAIL
NOT TO SCALE

- NOTES:**
- TYPICAL FOR SWITCHBOARDS, PANELBOARDS AND MOTOR CONTROL CENTERS.
 - SEE N.E.C. ART. 110.26.C.F

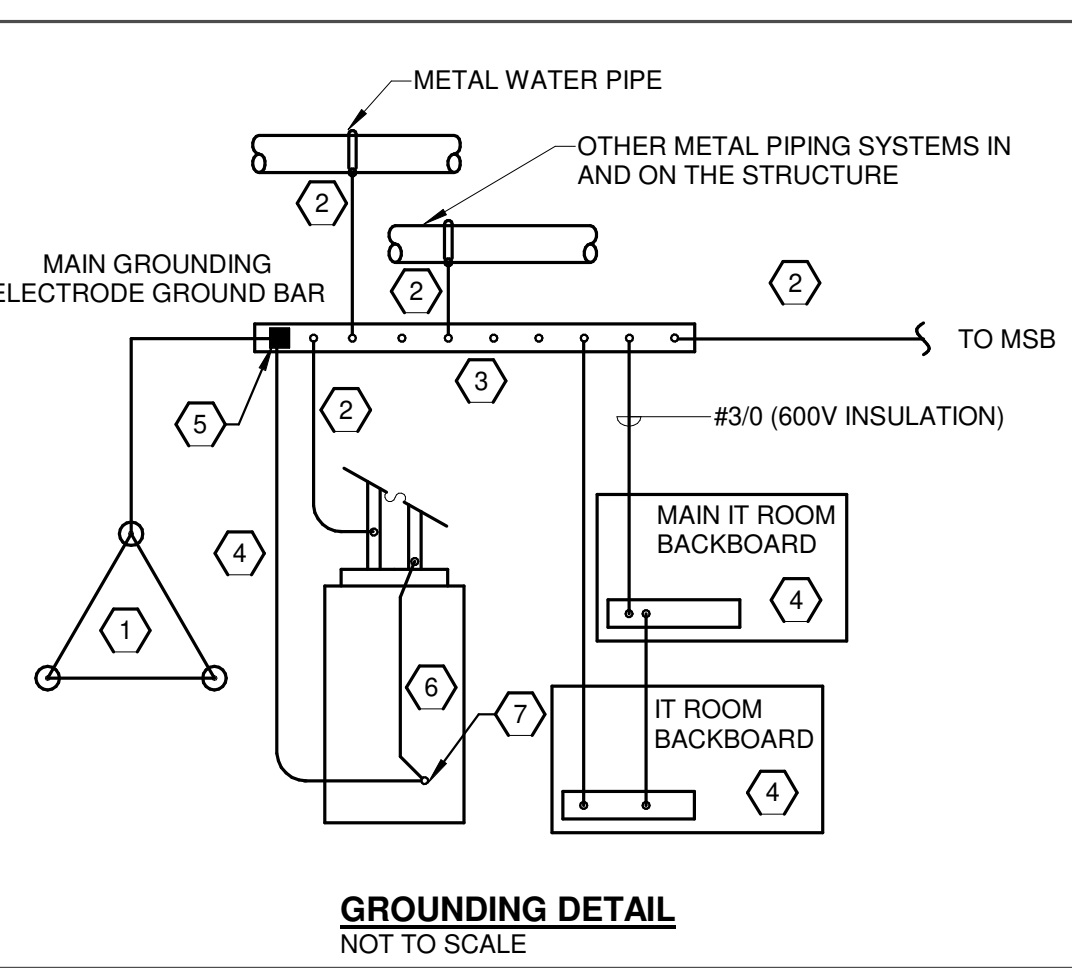


AC/UCU WIRING DETAIL
N.T.S



NOTES:

- CONTRACTOR TO ADD NEW 2 NOS 200A 3P AND 1 NO. 100A 3P BREAKER IN EXISTING SPACE PROVISIONS OF MSB PANEL LOCATED IN THE ELECTRICAL ROOM



GROUNDING DETAIL
NOT TO SCALE

- GROUNDING NOTES**
- PROVIDE #4/0 COPPER GROUND CONDUCTOR IN 1 1/4" PVC CONDUIT AND CONNECT (UNDERGROUND) TO THE DELTA GROUND GRID (THREE GROUND RODS, 10 FEET APART), CONNECT GROUND TO ALL OTHER BUILDING STEEL, METAL PIPING, ETC., AS REQUIRED BY ARTICLE 250 OF THE NEC.
 - INSTALL GROUNDING ELECTRODE CONDUCTOR, SIZED BASED ON NEC TABLE 250-66 USING THE SERVICE PHASE CONDUCTOR SIZE, BUT NOT SMALLER THAN NO 4.
 - INSTALL A "MAIN GROUND ELECTRODE GROUND BAR" FOR SINGLE POINT GROUNDING. LOCATE AT AN ACCESSIBLE POINT NEAR THE SERVICE ENTRANCE EQUIPMENT. MAKE CONNECTIONS TO THE GROUND ELECTRODE CONDUCTOR USING IRREVERSIBLE CONNECTORS OR EXOTHERMIC WELDS. MAKE OTHER CONNECTIONS TO THE GROUND BAR USING TWO-HOLE COMPRESSION SPADE LUGS THAT MEET IEEE 837 REQUIREMENTS. LABEL EACH CONNECTION TO THE GROUND BAR.
 - INSTALL A COPPER GROUNDING BAR IN EACH TELECOMMUNICATIONS ROOM. CONNECT TO THE "MAIN GROUNDING ELECTRODE GROUND BAR" USING 600V INSULATED #6 COPPER CABLE AND COMPRESSION SPADE LUGS. MOUNT AT 7' AFF.
 - INSTALL IRREVERSIBLE COMPRESSION CONNECTOR WITH TAMPERPROOF HARDWARE OR INSTALL EXOTHERMIC WELD.
 - BOND STEEL COLUMN TO CONCRETE ENCASED ELECTRODE.
 - PROVIDE CONCRETE ENCASED GROUNDING ELECTRODE(S) IN THE NEW CONCRETE FOUNDATION(S) USING:
 - AT LEAST 1/2" DIAMETER STEEL BAR (NO. 4 REBAR OR LARGER).
 - AT LEAST 20 FT. IN LENGTH OR MULTIPLE PIECES TIED TOGETHER TO MAKE ELECTRICALLY CONTINUOUS.
 - PLACED NEAR THE BOTTOM OF THE ADDITION FOOTING WITH A MINIMUM 3" OF CONCRETE COVER.
 - NOT ENCAPSULATED IN NONCONDUCTIVE COATINGS.

AIR CONDITIONING UNIT ELECTRICAL SCHEDULE

NOTES: 1. REFER TO SHEET E-003 FOR CONNECTION DETAILS

SYMBOL	MANUFACTURER	MODEL NO.	LOAD(VA)	VOLT/PHASE	LOAD(A)	BREAKER RATING	SWITCH/FUSE	WIRE SIZE	REMARKS
IDU-1	DAIKIN	MSZ-FS18NA	208	208/1	1	-	20A	3-#12 & 1-#12 GND IN 3/4" C	NOTE-1
IDU-2	DAIKIN	MSZ-GL24NA	208	208/1	1	-	20A	3-#12 & 1-#12 GND IN 3/4" C	NOTE-1

CONDENSING UNIT ELECTRICAL SCHEDULE

NOTES: 1. PROVIDE FUSED DISCONNECT SWITCH WITH FUSES PER MANUFACTURER RECOMMENDATION. FUSED DISCONNECT SWITCH MAY NOT NECESSARILY BE SHOWN ON ELECTRICAL PLANS. COORDINATE EXACT LOCATION OF FUSED DISCONNECT SWITCH IN FIELD. MAINTAIN MINIMUM OF 3'-0" CODE CLEARANCE REQUIREMENT IN FRONT OF ALL FUSED DISCONNECT SWITCHES.

MARK	MANUFACTURER	MODEL NO.	LOAD(VA)	VOLT/PHASE	LOAD(A)	BREAKER RATING	SWITCH/FUSE	WIRE SIZE	COMMENTS
CU-1	DAIKIN	MUZ-FS18NAH	3744	208/1	18	25A-2P	MUZ-25A-2P	(3) # 10 & (1) # 10 GND IN 1" C	
CU-2	DAIKIN	MUZ-GL24NA-U1	4160	208/1	20	25A-2P	30A/25A-2P	(3) # 10 & (1) # 10 GND IN 1" C	

RUSSELL AND DAWSON INC.
ARCHITECTURE & ENGINEERING
111 Main Street, East Hartford, CT 06108
TEL: (860) 289-1100 FAX: (860) 289-2272 E-MAIL: russ@rdawson.com

PROJECT: PUTNAM MIDDLE SCHOOL
35 WICKER ST., PUTNAM, CT 06280

FILE NO.: 241103.02
SCALE: AS NOTED
DATE: 07/10/2024
DRAWN BY: YP
CHECKED BY: MA

SHEET TITLE: ELECTRICAL POWER RISER DIAGRAM, DETAILS AND EQUIPMENT SCHEDULES
SHEET NUMBER: E-003

Branch Panel: P-6

Location: ELECTRIC CLOSET B134A
Supply From:
Mounting: SURFACE
Enclosure: TYPE 1

Volts: 120/208 Wye
Phases: 3
Wires: 4

A.I.C. Rating:
Mains Type: MCB
Bus Rating: 200 A
MCB Rating: 200 A
Feed Thru Lugs:

Branch Panel: P-7

Location: STORAGE C115
Supply From:
Mounting: SURFACE
Enclosure: TYPE 1

Volts: 120/208 Wye
Phases: 3
Wires: 4

A.I.C. Rating:
Mains Type: MCB
Bus Rating: 100 A
MCB Rating: 100 A
Feed Thru Lugs:

Branch Panel: P-8

Location: STAIR B143
Supply From:
Mounting: SURFACE
Enclosure: TYPE 1

Volts: 120/208 Wye
Phases: 3
Wires: 4

A.I.C. Rating:
Mains Type: MCB
Bus Rating: 200 A
MCB Rating: 200 A
Feed Thru Lugs:

Table with columns: CKT, Circuit Description, Note, Trip, Pole, A, B, C, Pole, Trip, Note, Circuit Description, CKT. Includes load classification and panel totals.

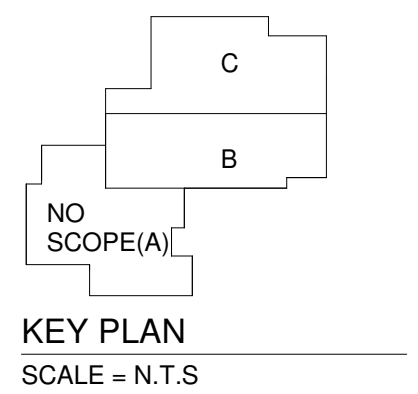
Table with columns: CKT, Circuit Description, Note, Trip, Pole, A, B, C, Pole, Trip, Note, Circuit Description, CKT. Includes load classification and panel totals.

Table with columns: CKT, Circuit Description, Note, Trip, Pole, A, B, C, Pole, Trip, Note, Circuit Description, CKT. Includes load classification and panel totals.

REVISIONS table with columns: NO., DESCRIPTION, DATE, BY. Includes stamp area with project name and address.



1 FIRST FLOOR OVERALL ELECTRICAL PLAN
 E-101 3/64" = 1'-0"



SHEET TITLE:
**FIRST FLOOR
 OVERALL
 ELECTRICAL PLAN**

SHEET NUMBER:
E-101

FILE NO: 24103.02
 SCALE: AS NOTED
 DATE: 07/10/2024
 DRAWN BY: YP
 CHECKED BY: MA

PROJECT:
PUTNAM MIDDLE SCHOOL
 35 WICKER ST., PUTNAM, CT 06260

STAMP:

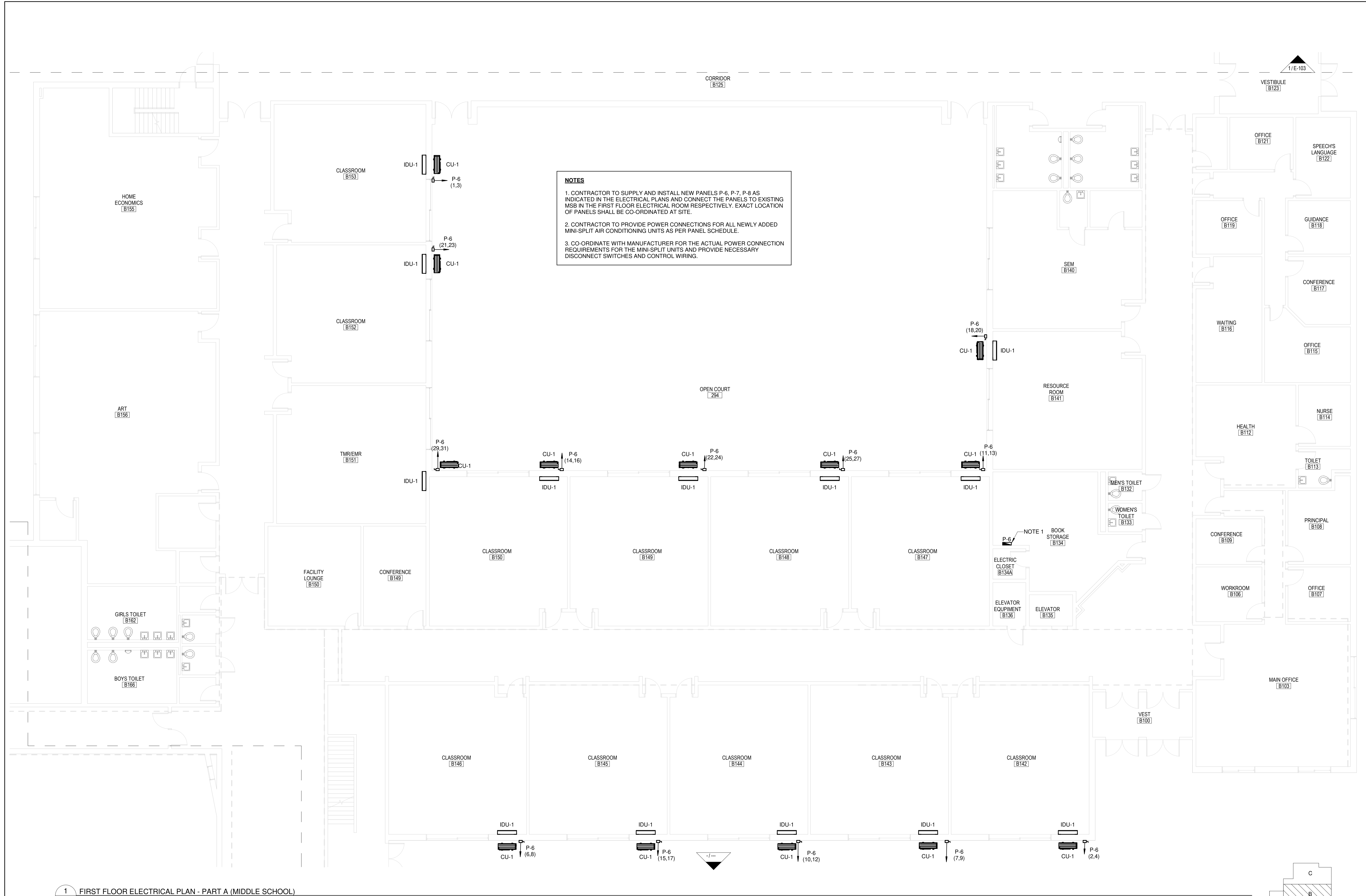
REVISIONS

NO.	DESCRIPTION	DATE	BY

THIS DOCUMENT, THE IDEAS, CONCEPTS, DESIGN, AND INFORMATION CONTAINED HEREIN, IS THE PROPERTY OF RUSSELL AND DAWSON INC. AND IS NOT TO BE REPRODUCED, COPIED, OR TRANSMITTED IN ANY FORM OR BY ANY MEANS, WITHOUT THE WRITTEN PERMISSION OF RUSSELL AND DAWSON INC. THE USER SHALL BE RESPONSIBLE FOR OBTAINING ALL NECESSARY PERMITS AND APPROVALS FROM THE APPROPRIATE AGENCIES. RUSSELL AND DAWSON INC. SHALL NOT BE RESPONSIBLE FOR ANY DAMAGE TO PERSONS OR PROPERTY ARISING FROM THE USE OF THIS DOCUMENT.

RUSSELL AND DAWSON INC.
 ARCHITECTURE & ENGINEERING
 111 Main Street, East Hartford, CT 06108
 TEL: (860) 281-1100 FAX: (860) 281-2272 E-MAIL: info@rdawson.com

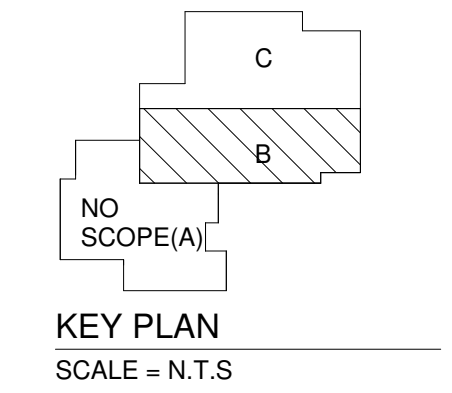
30-07-2024 20:51:17



NOTES

1. CONTRACTOR TO SUPPLY AND INSTALL NEW PANELS P-6, P-7, P-8 AS INDICATED IN THE ELECTRICAL PLANS AND CONNECT THE PANELS TO EXISTING MSB IN THE FIRST FLOOR ELECTRICAL ROOM RESPECTIVELY. EXACT LOCATION OF PANELS SHALL BE CO-ORDINATED AT SITE.
2. CONTRACTOR TO PROVIDE POWER CONNECTIONS FOR ALL NEWLY ADDED MINI-SPLIT AIR CONDITIONING UNITS AS PER PANEL SCHEDULE.
3. CO-ORDINATE WITH MANUFACTURER FOR THE ACTUAL POWER CONNECTION REQUIREMENTS FOR THE MINI-SPLIT UNITS AND PROVIDE NECESSARY DISCONNECT SWITCHES AND CONTROL WIRING.

1 FIRST FLOOR ELECTRICAL PLAN - PART A (MIDDLE SCHOOL)
E-102 1/8" = 1'-0"



RUSSELL AND DAWSON INC.
ARCHITECTURE & ENGINEERING
111 Main Street, East Hartford, CT 06108
TEL: (860) 289-1100 FAX: (860) 289-3272 E-MAIL: russ@rdawson.com

THIS DOCUMENT, THE IDEAS, THE DESIGN, THE CONCEPTS, AND THE INSTRUMENT OF PROFESSIONAL SERVICE, ARE THE PROPERTY OF RUSSELL AND DAWSON INC. AND MAY NOT BE USED, REPRODUCED, COPIED, OR TRANSMITTED IN ANY FORM OR BY ANY MEANS, WITHOUT THE WRITTEN PERMISSION OF RUSSELL AND DAWSON INC. THE USER SHALL BE RESPONSIBLE FOR OBTAINING ALL NECESSARY PERMITS AND APPROVALS FROM THE APPROPRIATE AGENCIES. THE USER SHALL BE RESPONSIBLE FOR OBTAINING ALL NECESSARY PERMITS AND APPROVALS FROM THE APPROPRIATE AGENCIES. THE USER SHALL BE RESPONSIBLE FOR OBTAINING ALL NECESSARY PERMITS AND APPROVALS FROM THE APPROPRIATE AGENCIES.

NO.	REVISIONS	DESCRIPTION	DATE	BY

STAMP:

PROJECT: PUTNAM MIDDLE SCHOOL
35 WICKER ST., PUTNAM, CT 06260

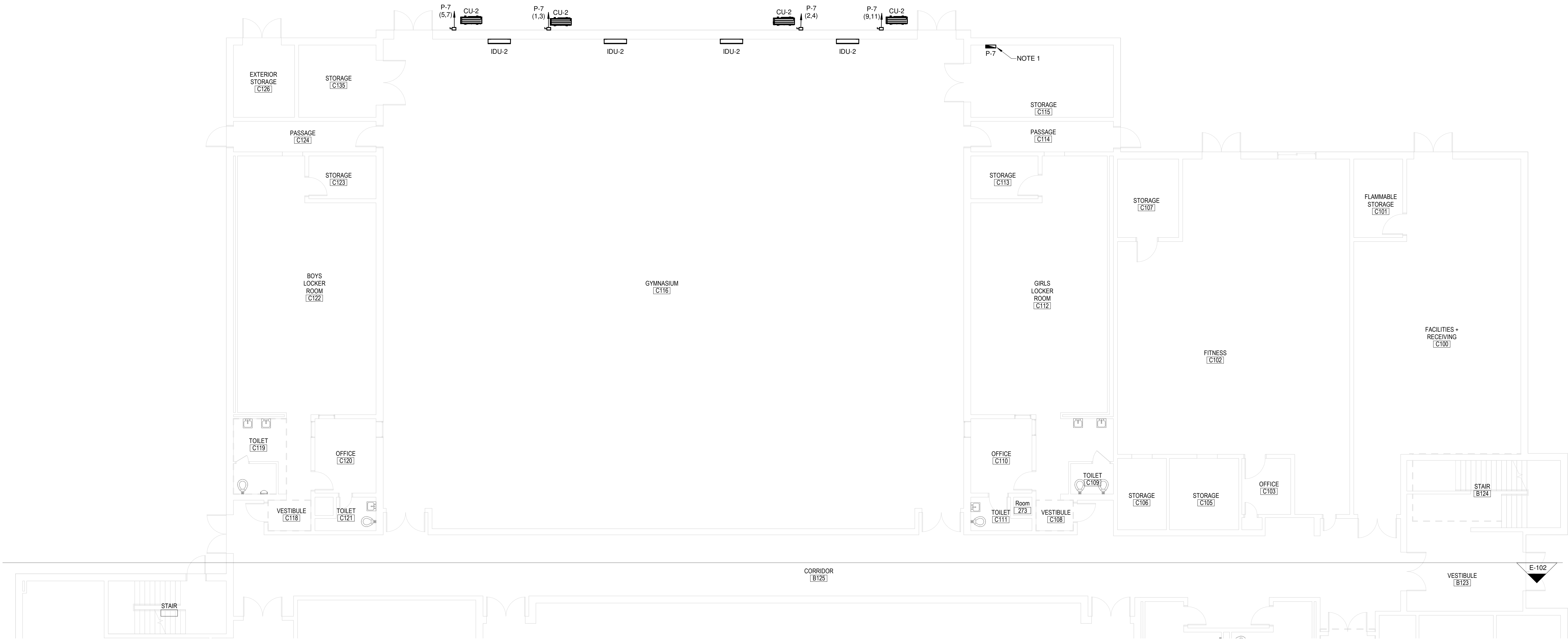
FILE NO.: 24103.02
SCALE: AS NOTED
DATE: 07/10/2024
DRAWN BY: YP
CHECKED BY: MA

SHEET TITLE: FIRST FLOOR ELECTRICAL PLAN-PART B
SHEET NUMBER: E-102

- NOTES**
- CONTRACTOR TO SUPPLY AND INSTALL NEW PANELS P-6, P-7, P-8 AS INDICATED IN THE ELECTRICAL PLANS AND CONNECT THE PANELS TO EXISTING MSB IN THE FIRST FLOOR ELECTRICAL ROOM RESPECTIVELY. EXACT LOCATION OF PANELS SHALL BE CO-ORDINATED AT SITE.
 - CONTRACTOR TO PROVIDE POWER CONNECTIONS FOR ALL NEWLY ADDED MINI-SPLIT AIR CONDITIONING UNITS AS PER PANEL SCHEDULE.
 - CO-ORDINATE WITH MANUFACTURER FOR THE ACTUAL POWER CONNECTION REQUIREMENTS FOR THE MINI-SPLIT UNITS AND PROVIDE NECESSARY DISCONNECT SWITCHES AND CONTROL WIRING.

RUSSELL AND DAWSON INC.
 ARCHITECTURE & ENGINEERING
 111 Main Street, East Haven, CT 06108
 TEL: (860) 281-1100 FAX: (860) 281-2721 E-MAIL: info@rdawson.com

THIS DOCUMENT, THE IDEAS, CONCEPTS, DESIGN, AND SPECIFICATIONS, IS THE PROPERTY OF RUSSELL AND DAWSON INC. AND IS NOT TO BE REPRODUCED, COPIED, OR TRANSMITTED IN ANY FORM OR BY ANY MEANS, WITHOUT THE WRITTEN PERMISSION OF RUSSELL AND DAWSON INC. THE USER SHALL BE RESPONSIBLE FOR OBTAINING ALL NECESSARY PERMITS AND APPROVALS FROM THE APPROPRIATE AGENCIES. RUSSELL AND DAWSON INC. SHALL NOT BE RESPONSIBLE FOR ANY DAMAGE, LOSS, OR INJURY RESULTING FROM THE USE OF THIS DOCUMENT.



1 FIRST FLOOR ELECTRICAL PLAN - PART C (MIDDLE SCHOOL)
 E-103 / 1/8" = 1'-0"

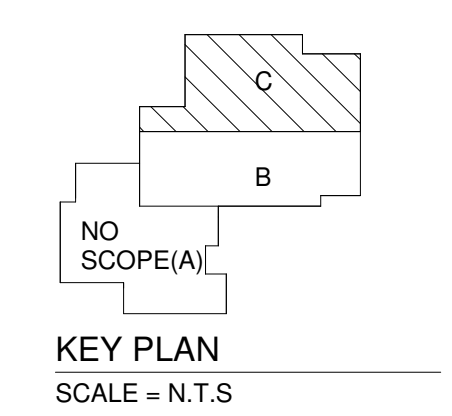
NO.	REVISIONS	DESCRIPTION	DATE	BY

STAMP:

PROJECT: PUTNAM MIDDLE SCHOOL
 35 WICKER ST., PUTNAM, CT 06260

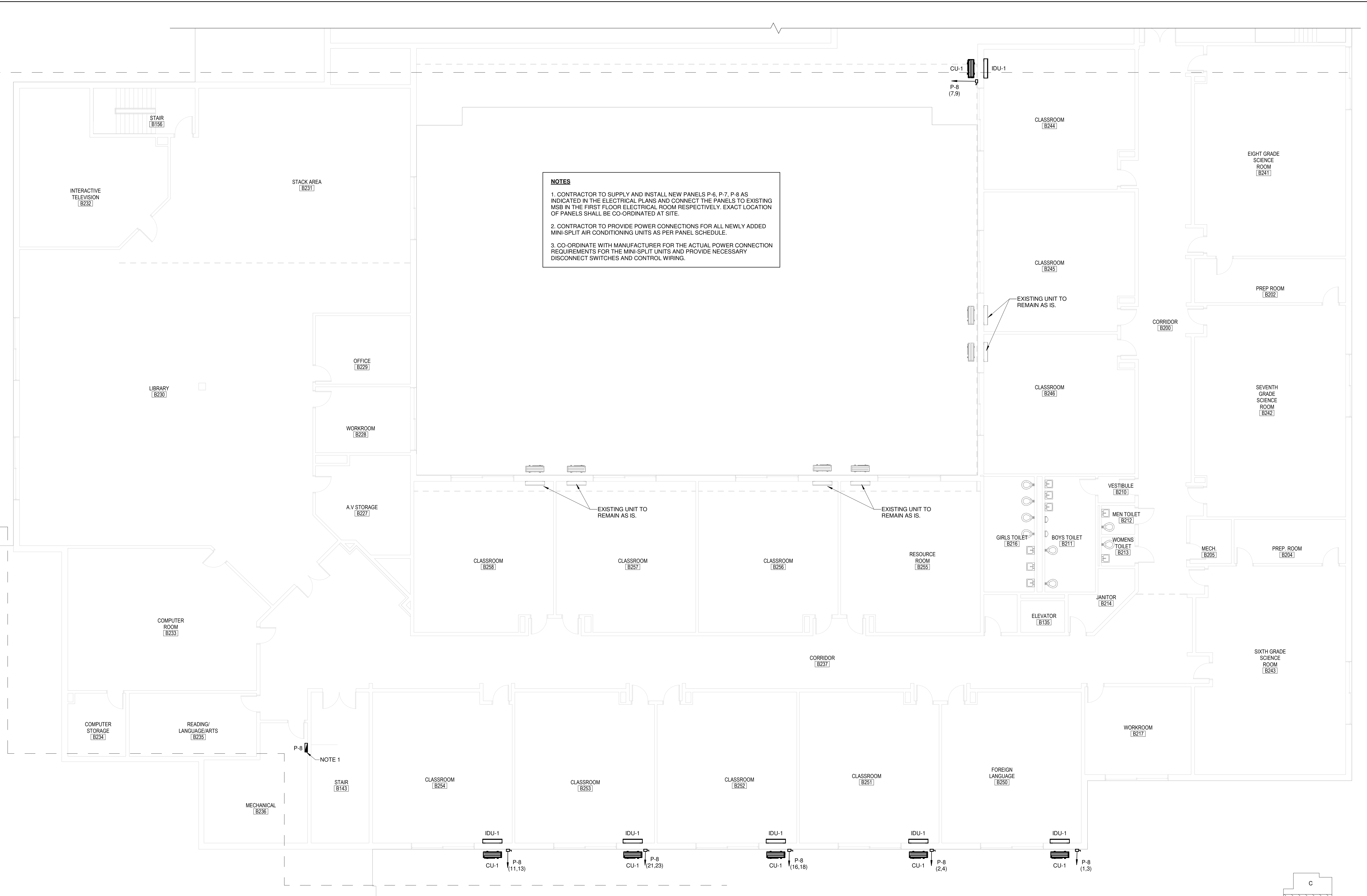
FILE NO:	24103.02
SCALE:	AS NOTED
DATE:	07/10/2024
DRAWN BY:	YP
CHECKED BY:	MA

SHEET TITLE: FIRST FLOOR ELECTRICAL PLAN-PART C
SHEET NUMBER: E-103



30-07-2024 20:51:18

1 SECOND FLOOR ELECTRICAL PLAN - PART B (MIDDLE SCHOOL)
E-104 1/8" = 1'-0"



NOTES

1. CONTRACTOR TO SUPPLY AND INSTALL NEW PANELS P-6, P-7, P-8 AS INDICATED IN THE ELECTRICAL PLANS AND CONNECT THE PANELS TO EXISTING MSB IN THE FIRST FLOOR ELECTRICAL ROOM RESPECTIVELY. EXACT LOCATION OF PANELS SHALL BE CO-ORDINATED AT SITE.
2. CONTRACTOR TO PROVIDE POWER CONNECTIONS FOR ALL NEWLY ADDED MINI-SPLIT AIR CONDITIONING UNITS AS PER PANEL SCHEDULE.
3. CO-ORDINATE WITH MANUFACTURER FOR THE ACTUAL POWER CONNECTION REQUIREMENTS FOR THE MINI-SPLIT UNITS AND PROVIDE NECESSARY DISCONNECT SWITCHES AND CONTROL WIRING.

RUSSELL AND DAWSON INC.
ARCHITECTURE & ENGINEERING
111 Main Street, East Haven, CT 06108
TEL: (860) 281-1100 FAX: (860) 281-3272 E-MAIL: russ@rdawson.com

THIS DOCUMENT, THE IDEAS, CONCEPTS, DESIGN, AND SPECIFICATIONS, ARE THE PROPERTY OF RUSSELL AND DAWSON INC. AND MAY NOT BE REPRODUCED, COPIED, OR TRANSMITTED IN ANY FORM OR BY ANY MEANS, ELECTRONIC OR MECHANICAL, INCLUDING PHOTOCOPYING, RECORDING, OR BY ANY INFORMATION STORAGE AND RETRIEVAL SYSTEM, WITHOUT THE WRITTEN PERMISSION OF RUSSELL AND DAWSON INC. THE USER SHALL BE RESPONSIBLE FOR OBTAINING ALL NECESSARY PERMITS AND APPROVALS FROM THE APPROPRIATE AGENCIES.

NO.	REVISIONS	DESCRIPTION	DATE	BY

STAMP:

PROJECT: PUTNAM MIDDLE SCHOOL
35 WICKER ST., PUTNAM, CT 06260

FILE NO.: 24103.02
SCALE: AS NOTED
DATE: 07/10/2024
DRAWN BY: YP
CHECKED BY: MA

SHEET TITLE: SECOND FLOOR ELECTRICAL PLAN - PART B
SHEET NUMBER: E-104