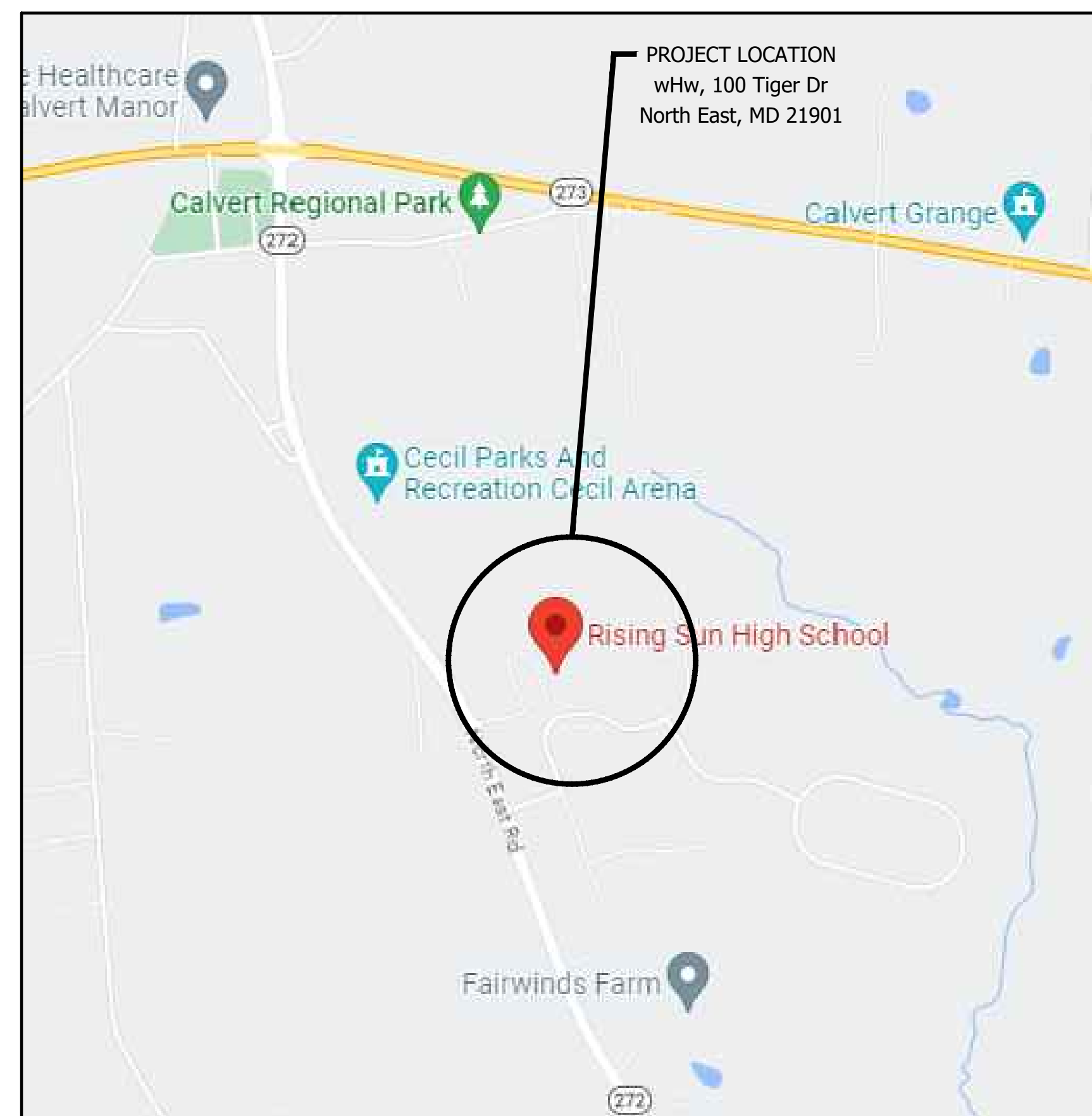


RISING SUN HIGH SCHOOL WATERLINE REPLACEMENT PSC#07.022



100 Tiger Dr
North East, MARYLAND 21901

BID SUBMISSION
NOVEMBER 22, 2023



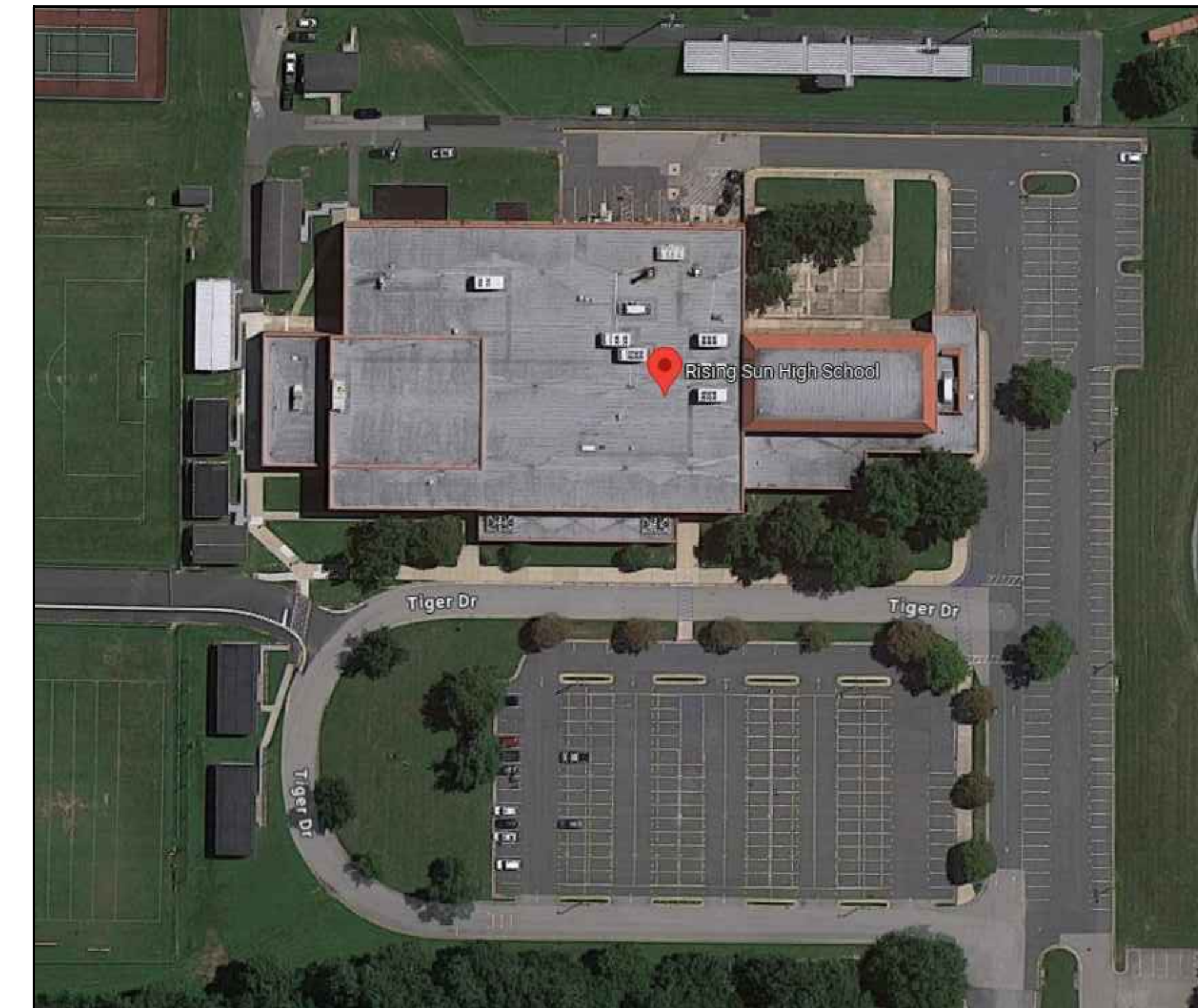
VICINITY MAP



201 Booth St.
ELKTON, MARYLAND 21921PH:
410-658-5577

| DRAWING LIST | |
|--------------|--|
| CS | PROJECT COVER SHEET |
| P0.0 | ABBREVIATIONS, GENERAL NOTES, LEGEND |
| P1.1 | MECHANICAL ROOM & WATER VAULT DEMOLITION |
| P2.1 | MECHANICAL ROOM & WATER VAULT NEW WORK |
| P3.1 | PLUMBING DETAILS |
| P3.2 | CIVIL DETAILS |
| P4.1 | CIVIL NOTES AND SPECIFICATIONS |

MECHANICAL/ELECTRICAL/PLUMBING
GIPE ASSOCIATES, INC.
1220 EAST JOPPA ROAD, SUITE 223
RADIO PARK BUILDING A
TOWSON, MARYLAND 21286
PH: 410-832-2420



LOCATION MAP

| NO. | DATE | DESCRIPTION |
|-----|------|-------------|
| | | |
| | | |

THIS DRAWING AND THE DESIGN AND CONSTRUCTION FEATURES DISCLOSED ARE PROPRIETARY TO GIPE ASSOCIATES, INC. AND SHALL NOT BE REPRODUCED OR TRANSMITTED IN ANY FORM OR BY ANY MEANS, ELECTRONIC OR MECHANICAL, WITHOUT THE EXPRESS WRITTEN PERMISSION OF GIPE ASSOCIATES, INC. Copyright © 2023

Giipe Associates Inc.
Consulting Engineers
1012 Brooke Drive
Suite 223
Towson, Maryland 21286
Phone: 410-832-2420
Fax: 410-832-2418

WO# 23055
PROJECT MANAGER SED
DESIGNER MJK
DATE 11/22/2023

PROJECT COVER SHEET
CECIL COUNTY PUBLIC SCHOOLS - RISING SUN HIGH SCHOOL
WATERLINE REPLACEMENT
100 TIGER DR, NORTH EAST, MARYLAND 21901.

BID SUBMISSION

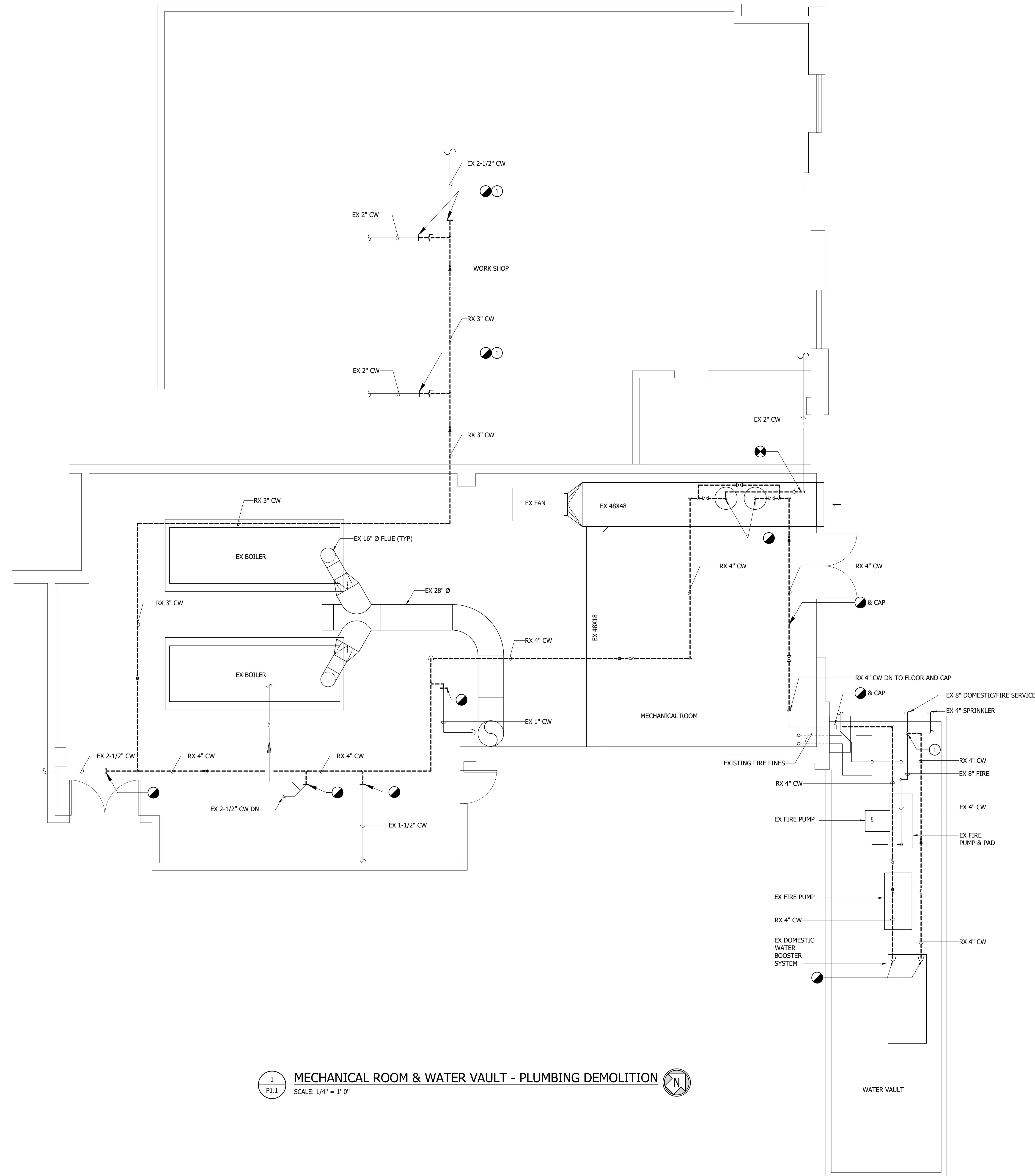
CS
PSC-07.022

GENERAL NOTES:

- EX IS INDICATED IN THIN/LIGHT LINE WEIGHT.
- DEMOLITION WORK IS INDICATED IN THICKER/DARK/DARKER LINE WEIGHT.

DRAWING NOTES:

- ALL PIPING UP TO AND INCLUDING EXISTING VALVE SHALL BE REMOVED.



1
P1.1
MECHANICAL ROOM & WATER VAULT - PLUMBING DEMOLITION
SCALE: 1/4" = 1'-0"

| NO. | DATE | DESCRIPTION |
|-----|------|-------------|
| | | |
| | | |
| | | |

THIS DRAWING AND THE DESIGN AND CONSTRUCTION FEATURES DISCLOSED ARE PROPRIETARY TO GIPE ASSOCIATES, INC. AND SHALL NOT BE REPRODUCED OR TRANSMITTED IN ANY FORM OR BY ANY MEANS, ELECTRONIC OR MECHANICAL, WITHOUT THE EXPRESS WRITTEN PERMISSION OF GIPE ASSOCIATES, INC. Copyright © 2023

Giipe Associates Inc.
Consulting Engineers
1170 East Apple Road
Suite 220
Towson, MD 21286
Phone: 410.322.2800
Fax: 410.322.2418

WO# 23055

PROJECT MANAGER SED

DESIGNER MJK

DATE 11/22/2023

MECHANICAL ROOM & WATER VAULT - PLUMBING DEMOLITION
CECIL COUNTY PUBLIC SCHOOLS - RISING SUN HIGH SCHOOL
WATERLINE REPLACEMENT
100 TIGER DR, NORTH EAST, MARYLAND 21901.

BID SUBMISSION

P1.1

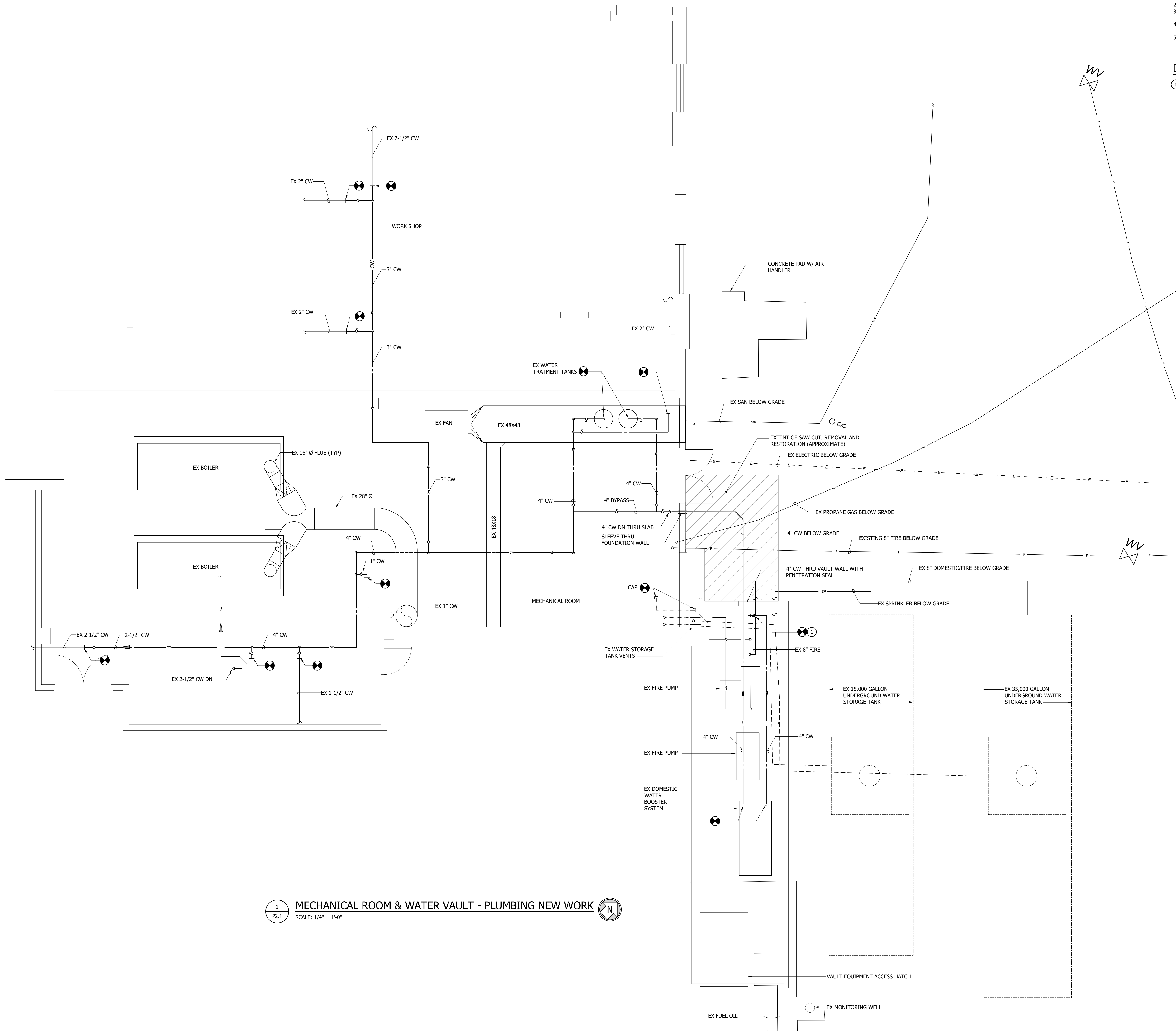
PSC-07.022

GENERAL NOTES:

- EX IS INDICATED IN THIN/LIGHT LINE WEIGHT.
- NEW WORK IS INDICATED IN THICKER/DARK LINE WEIGHT.
- CONFIRM LOCATION AND DEPTH OF ALL EXISTING UTILITIES PRIOR TO CONSTRUCTION.
- ALL DOMESTIC WATER PIPING ABOVE GRADE AND IN VAULT SHALL BE TYPE L COPPER. REFER TO SPECIFICATIONS.
- PIPING BELOW GRADE SHALL BE DUCTILE IRON. REFER TO SPECIFICATIONS.

DRAWING NOTES:

- NEW 4" CW AND VALVE IN VERTICAL.



1 MECHANICAL ROOM & WATER VAULT - PLUMBING NEW WORK
 P2.1 SCALE: 1/4" = 1'-0"

| NO. | DATE | DESCRIPTION |
|-----|------|-------------|
| | | |
| | | |

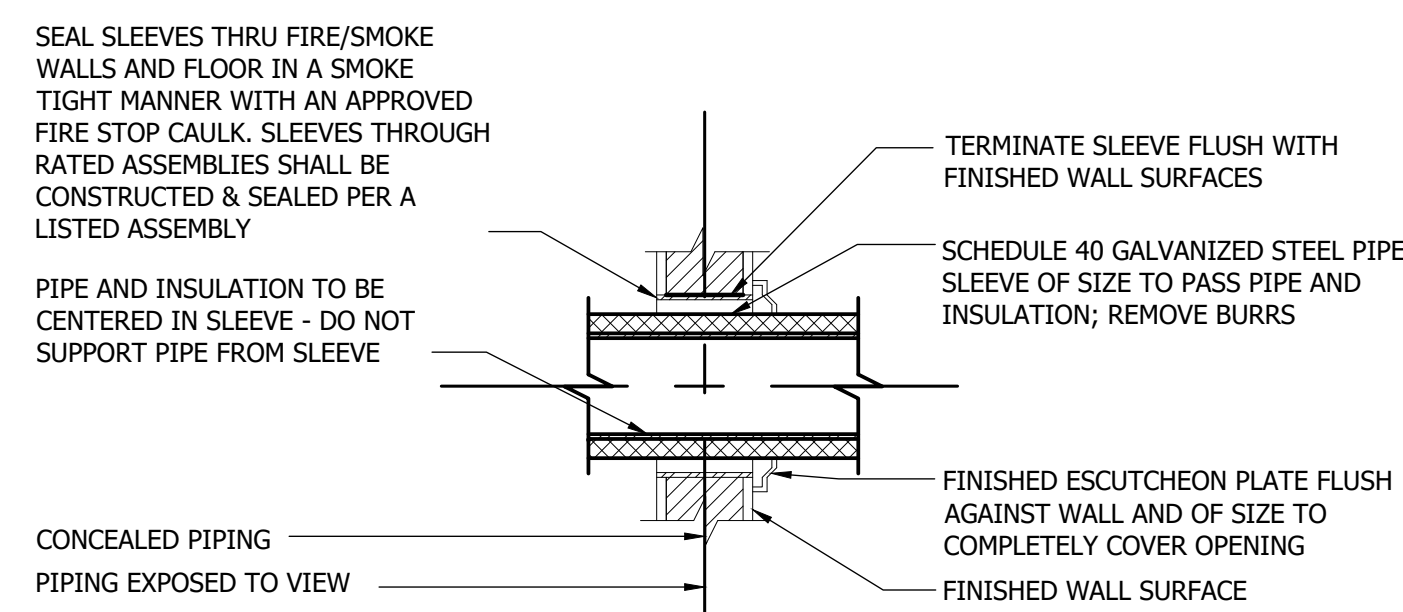
THIS DRAWING AND THE DESIGN AND CONSTRUCTION FEATURES DISCLOSED ARE PROPRIETARY TO GIPE ASSOCIATES, INC. AND SHALL NOT BE REPRODUCED OR TRANSMITTED IN ANY FORM OR BY ANY MEANS, ELECTRONIC OR MECHANICAL, WITHOUT THE EXPRESS WRITTEN PERMISSION OF GIPE ASSOCIATES, INC. Copyright © 2023

Giipe Associates Inc.
 Consulting Engineers
 1015 E. State Street
 Suite 205
 Towson, MD 21286
 Phone: 410.322.2800
 Fax: 410.322.2418

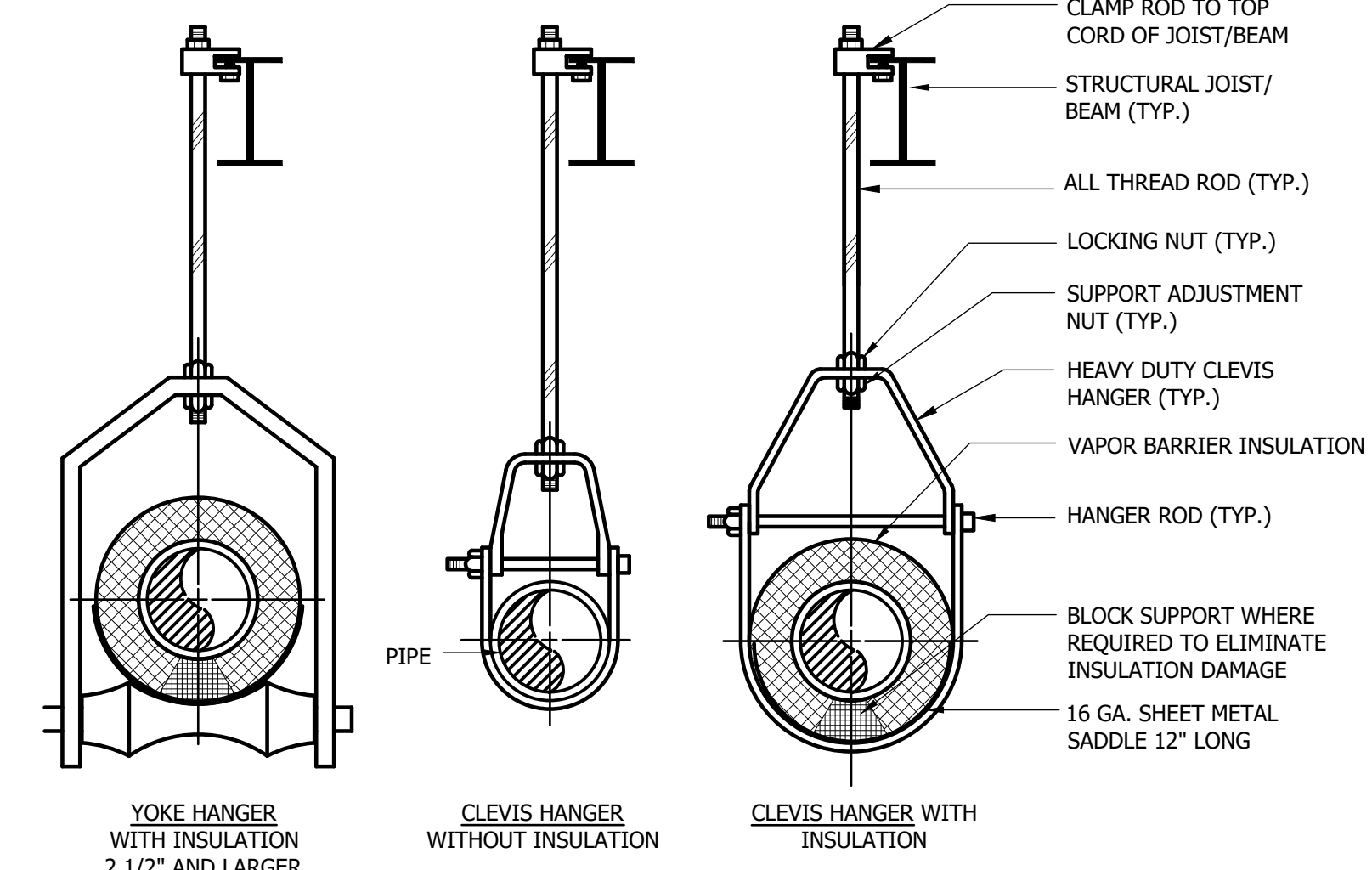
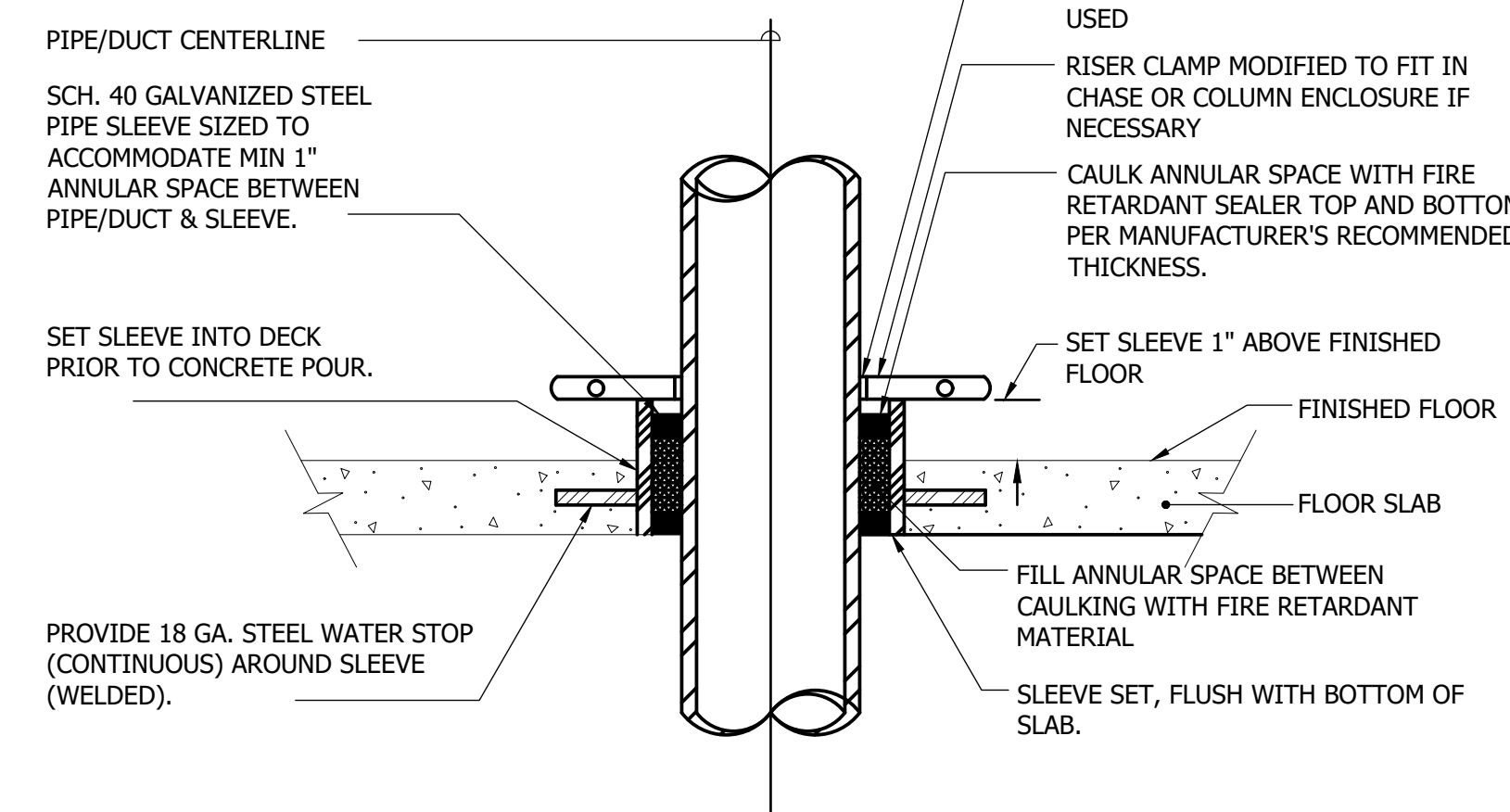
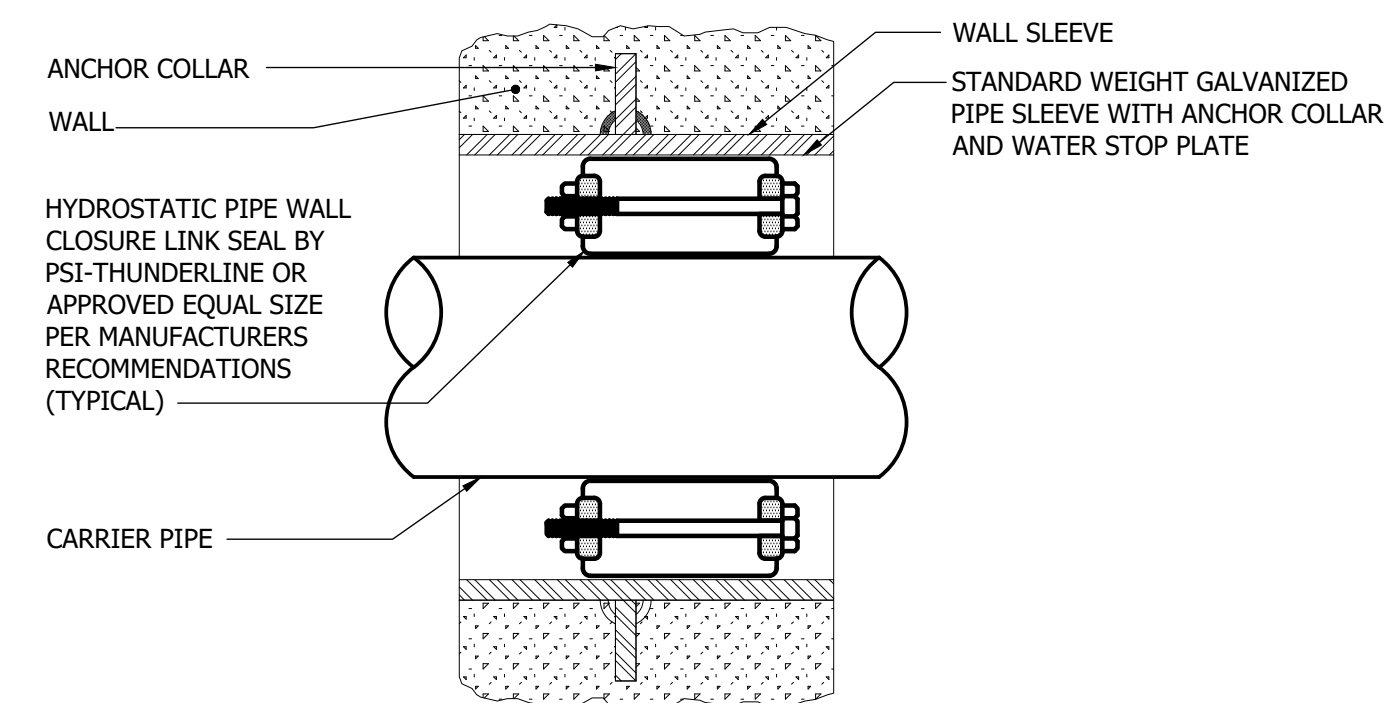
WO# 23055
 PROJECT MANAGER SED
 DESIGNER MJK
 DATE 11/22/2023

MECHANICAL ROOM & WATER VAULT - PLUMBING NEW WORK
 CECIL COUNTY PUBLIC SCHOOLS - RISING SUN HIGH SCHOOL
 WATERLINE REPLACEMENT
 100 TIGER DR, NORTH EAST, MARYLAND 21901.

BID SUBMISSION



NOTE:
FOR INTERIOR FRAME PARTITIONS-PIPE SLEEVES MAY BE FABRICATED FROM GALVANIZED SHEET METAL; ROUND TUBE CLOSED WITH SNAPLOCK JOINT, WELDED SPIRAL SEAMS, OR WELDED LONGITUDINAL JOINT. FABRICATE FROM THE FOLLOWING GAUGES: 3" AND SMALLER, 20 GAUGE; 4" TO 6", 16 GAUGE; OVER 6", 14 GAUGE.



NOTE: REFER TO SPECIFICATIONS FOR PIPE HANGER APPLICATIONS.

1 TYPICAL PIPE SLEEVE THRU INTERIOR WALL DETAIL

SCALE: NONE

2 TYPICAL PIPE THROUGH EXTERIOR WALL PENETRATION SEAL BELOW GRADE DETAIL

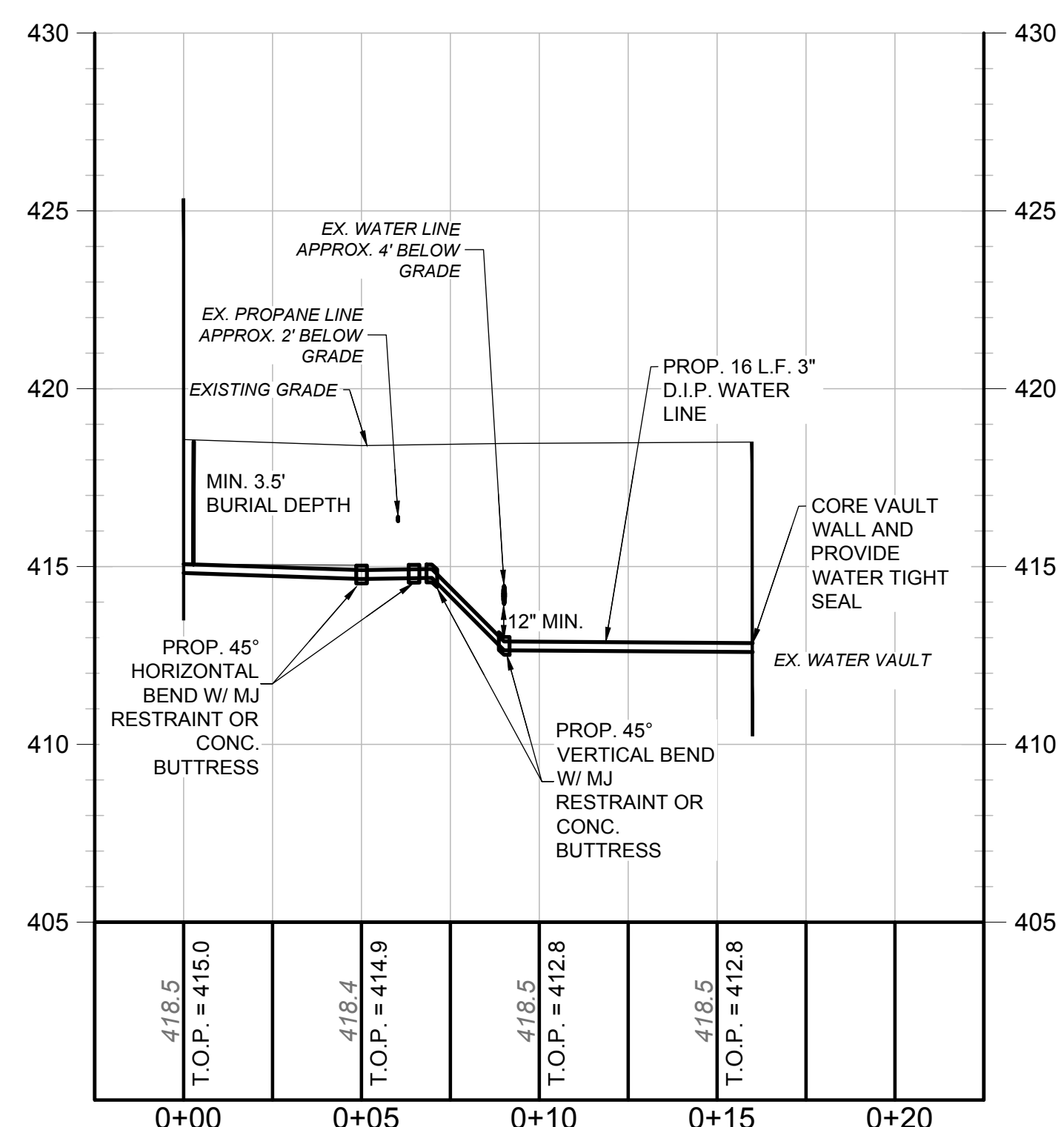
SCALE: NONE

3 TYPICAL PIPE SLEEVE THRU FLOOR DETAIL

SCALE: NONE

4 TYPICAL PIPE SUPPORT DETAIL

SCALE: NONE



WATER SERVICE PROFILE
SCALE: H: 1/4" = 1'
V: 1/4" = 1'

5 WATER SERVICE PROFILE

SCALE: AS SHOWN

6 NOT USED

SCALE: NONE

7 NOT USED

SCALE: NONE

8 NOT USED

SCALE: NONE

| NO. | DATE | DESCRIPTION |
|-----|------|-------------|
| | | |
| | | |
| | | |

THIS DRAWING AND THE DESIGN AND CONSTRUCTION FEATURES DISCLOSED ARE PROPRIETARY TO GIPE ASSOCIATES, INC. AND SHALL NOT BE REPRODUCED OR TRANSMITTED IN ANY FORM OR BY ANY MEANS, ELECTRONIC OR MECHANICAL, WITHOUT THE EXPRESS WRITTEN PERMISSION OF GIPE ASSOCIATES, INC. Copyright © 2023

GIPE Associates Inc.
Consulting Engineers

1370 East Apple Road
Suite 220
Baltimore, MD 21286
Tel: 410.322.2188
Fax: 410.322.2188

| | |
|-----------------|------------|
| WO# | 23055 |
| PROJECT MANAGER | SED |
| DESIGNER | MJK |
| DATE | 11/22/2023 |

PLUMBING DETAILS

CECIL COUNTY PUBLIC SCHOOLS - RISING SUN HIGH SCHOOL
WATERLINE REPLACEMENT
100 TIGER DR., NORTH EAST, MARYLAND 21901.

BID SUBMISSION

P3.1

PSC-07.022

