

Lead in Drinking Water Test Results

As of 10/3/18

Sample Location	Fixture Type	1 st Draw Results (ppb)	15 Second Draw Results (ppb)	60 Second Draw Results (ppb)	Remedial Recommendation	Remedial Response	Post Remediation Test Results (ppb)
WF Outside Nurses Office	WF	<2.5	-	-	None	-	
Café	WF	<2.5	-	-	None	-	-
WF Outside Faculty Room	WF	<2.5	-	-	None	-	-
WF Outside Room 103	WF	<2.5	-	-	None	-	-
Room 103	WF	<2.5	-	-	None	-	-
Room 104	WF	<2.5	-	-	None	-	-
Room 102	WF	9.5	-	-	None	-	-
Room 106	WF	7.7	-	-	None	-	-
WF Outside Gym	WF	<2.5	-	-	None	-	-
Room 111B	WF	<2.5	-	-	None	-	-
Room 113	WF	<2.5	-	-	None	-	-
Room 112	WF	<2.5	-	-	None	-	-
Room 115	WF	<2.5	-	-	None	-	-
Room 117	WF	<2.5	-	-	None	-	-
Room 116	WF	<2.5	-	-	None	-	-
Room 114	WF	<2.5	-	-	None	-	-
Room 121	WF	<2.5	-	-	None	-	-
Room 120	WF	<2.5	-	-	None	-	-
Room 123	WF	15	-	-	None	-	-
WF Outside Room 123	WF	<2.5	-	-	None	-	-
Room 125	WF	7.9	-	-	None	-	-
Room 127	WF	7.5	-	-	None	-	-

Lead in Drinking Water Test Results

As of 10/3/18

Sample Location	Fixture Type	1 st Draw Results (ppb)	15 Second Draw Results (ppb)	60 Second Draw Results (ppb)	Remedial Recommendation	Remedial Response	Post Remediation Test Results (ppb)
Room 126	WF	<2.5	-	-	None	-	-
Room 128	WF	<2.5	-	-	None	-	-
Kitchen Pot Filler by Serving Line	SK	6	-	-	None	-	-
Kitchen Pot Filler in Back	SK	5.8	-	-	None	-	-
Faculty Room	SK	5.6	-	-	None	-	-
Room 105	SK	3.3	-	-	None	-	-
Room 101	SK	9.5	-	-	None	-	-
Nurse's Office	SK	11	-	-	None	-	-
Room 109	SK	4.2	-	-	None	-	-
Room 108	SK	76	<1.0	<1.0	FR	SIGN	45 (7/28/2016) 34 (9/1/2018)
Room 124	SK	6	-	-	None	-	-
Room 129	SK	17	<2.5	<2.5	FR	Completed FR	#4.63 (9/1/2018)
Room 111A	WF	3.1	-	-	None	-	-
Room 110	WF	15	<2.5	<2.5	None	-	-
Room 122	WF	17	12	4.7	FR	Completed FR	#6 (9/1/2018)
Main Custodial Office BR	SK	2	-	-	None	-	-
Main Custodial Office	SS	<1.0	-	-	None	-	-
Kitchen BR	SK	12	-	-	None	-	-
Kitchen Prep @ (A)	SK	1.1	-	-	None	-	-
Kitchen Prep @ (A) [New Fixture 2018]	SK	24			FR	SIGN	
Kitchen Prep @ (B)	SK	<1.0	-	-	None	-	-
Kitchen Prep @ (B) [New Fixture 2018]	SK	20.1			FR	SIGN	

Lead in Drinking Water Test Results

As of 10/3/18

Sample Location	Fixture Type	1 st Draw Results (ppb)	15 Second Draw Results (ppb)	60 Second Draw Results (ppb)	Remedial Recommendation	Remedial Response	Post Remediation Test Results (ppb)
Kitchen Prep @ (C)	SK	48	3.7	<1.0	FR	SIGN	
Kitchen Island	SK	1.7	-	-	None	-	-
Kitchen Dishwash	SP	<1.0	-	-	None	-	-
Art Room	SK	<1.0	-	-	None	-	-
Nurse's Office BR	SK	2.6	-	-	None	-	-
Faculty BR by Cafe	SK	2.6	-	-	None	-	-
Faculty BR by MPR	SK	4.2	-	-	None	-	-
BR by Main Office	SK	<1.0	-	-	None	-	-
Principal's Office BR	SK	<1.0	-	-	None	-	-
Speech Language Room	SK	21	3.1	<1.0	FR	CAP	
Room 101	WF	3.1	-	-	None	-	-
Room 101 BR	SK	24	9.5	6.3	FR	Completed FR	#7 (9/1/2018)
Room 102	SK	3.7	-	-	None	-	-
Room 102 BR	SK	7.1	-	-	None	-	-
Room 104	SK	1.4	-	-	None	-	-
Room 103	SK	3.4	-	-	None	-	-
Room 103 BR	SK	3.4	-	-	None	-	-
Room 105	WF	<1.0	-	-	None	-	-
Room 105 BR	SK	1.9	-	-	None	-	-
Room 106	SK	2.9	-	-	None	-	-
Room 106 BR	SK	5.4	-	-	None	-	-
Girl's BR by RM 111 @ (A)	SK	<1.0	-	-	None	-	-

Lead in Drinking Water Test Results

As of 10/3/18

Sample Location	Fixture Type	1 st Draw Results (ppb)	15 Second Draw Results (ppb)	60 Second Draw Results (ppb)	Remedial Recommendation	Remedial Response	Post Remediation Test Results (ppb)
Girl's BR by RM 111 @ (B)	SK	2.5	-	-	None	-	-
Girl's BR by RM 111 @ (C)	SK	1.7	-	-	None	-	-
Girl's BR by RM 111 @ (D)	SK	7.1	-	-	None	-	-
Boy's BR by RM 111 @ (A)	SK	2.5	-	-	None	-	-
Boy's BR by RM 111 @ (B)	SK	3.6	-	-	None	-	-
Boy's BR by RM 111 @ (C)	SK	12	-	-	None	-	-
Boy's BR by RM 111 @ (D)	SK	6.8	-	-	None	-	-
Room 111B	SK	11	-	-	None	-	-
Room 110	SK	17	3.3	3.4	FR	Completed FR	#14.3 (9/1/2018)
Room 113	SK	1.7	-	-	None	-	-
Room 112	SK	1.7	-	-	None	-	-
Room 115	SK	<1.0	-	-	None	-	-
Room 114	SK	2.4	-	-	None	-	-
Room 117	SK	1.3	-	-	None	-	-
Room 116	SK	5	-	-	None	-	-
BR by Library	SK	2	-	-	None	-	-
Room 121	SK	6.2	-	-	None	-	-
Room 120	SK	3.3	-	-	None	-	-
Room 123	SK	5.4	-	-	None	-	-
Girl's BR by RM 123 @ (A)	SK	5.5	-	-	None	-	-
Girl's BR by RM 123 @ (B)	SK	6.3	-	-	None	-	-
Girl's BR by RM 123 @ (C)	SK	5.2	-	-	None	-	-

Lead in Drinking Water Test Results

As of 10/3/18

Sample Location	Fixture Type	1 st Draw Results (ppb)	15 Second Draw Results (ppb)	60 Second Draw Results (ppb)	Remedial Recommendation	Remedial Response	Post Remediation Test Results (ppb)
Boy's BR by RM 123 @ (A)	SK	2.2	-	-	None	-	-
Boy's BR by RM 123 @ (C)	SK	3.9	-	-	None	-	-
Room 125	SK	4.8	-	-	None	-	-
Room 122	SK	2.7	-	-	None	-	-
Room 127	SK	3.3	-	-	None	-	-
Room 124	WF	2.4	-	-	None	-	-
Room 129	WF	1.2	-	-	None	-	-
Room 126	SK	3	-	-	None	-	-
Room 128	SK	8.5	-	-	None	-	-
Gym Coaches Office BR	SK	8.3	-	-	None	-	-

Code Key

Remediation Type Codes

FR	=	Fixture replacement
FRSLV	=	Replacement of fixture, supply lines, and valves
FRSLVPA	=	Replacement of fixture, supply lines, valves and plumbing assessment
SIGN	=	Warning sign posting
CAP	=	Remove fixture or cap line

Room ID Codes

CC	=	Custodian Closet
MPR	=	Multi Purpose Room
Café	=	Cafeteria
Sci	=	Science Lab
PE	=	Physical Ed
BR	=	Bathroom
LR	=	Locker Room
RM	=	Room

Fixture Type Codes

WF	=	Water Fountain
SK	=	Sink
SS	=	Slop Sink
SP	=	Spigot
PF	=	Pot Filler
HB	=	Hose Bib
IM	=	Ice Machine
WC	=	Water Cooler
SH	=	Shower
SL	=	Supply Line

Result Code

ND	=	Not Detected
<	=	Less Than
-	=	No Testing Required
#	=	When seen in the Post Remediation Test Results: after numerous failing tests, the Hashtag is used to show a passing result



Lead in Drinking Water Test Results

As of 10/3/18

Sample Location	Fixture Type	1 st Draw Results (ppb)	15 Second Draw Results (ppb)	60 Second Draw Results (ppb)	Remedial Recommendation	Remedial Response	Post Remediation Test Results (ppb)
Café	WF	<2.5	-	-	None	-	-
Room 134	WF	<2.5	-	-	None	-	-
Room 133	WF	<2.5	-	-	None	-	-
Room 136	WF	4	-	-	None	-	-
Room 138	WF	2.7	-	-	None	-	-
Room 135	WF	6.8	-	-	None	-	-
Room 137	WF	3.2	-	-	None	-	-
Room 140	WF	5.8	-	-	None	-	-
Room 142	WF	<2.5	-	-	None	-	-
Room 139	WF	<2.5	-	-	None	-	-
Room 141	WF	<2.5	-	-	None	-	-
Library	WF	<2.5	-	-	None	-	-
Room 152	WF	<2.5	-	-	None	-	-
Room 151	WF	<2.5	-	-	None	-	-
Girls LR	WF	<2.5	-	-	None	-	-
Boys LR	WF	<2.5	-	-	None	-	-
Room 121	WF	<2.5	-	-	None	-	-
Room 123	WF	8.4	-	-	None	-	-
Room 119	WF	<2.5	-	-	None	-	-
Room 117	WF	<2.5	-	-	None	-	-
Room 118	WF	<2.5	-	-	None	-	-
Room 120	WF	<2.5	-	-	None	-	-
Room 115	WF	<2.5	-	-	None	-	-
Room 113	WF	8.9	-	-	None	-	-

Lead in Drinking Water Test Results

As of 10/3/18

Sample Location	Fixture Type	1 st Draw Results (ppb)	15 Second Draw Results (ppb)	60 Second Draw Results (ppb)	Remedial Recommendation	Remedial Response	Post Remediation Test Results (ppb)
Room 114	WF	<2.5	-	-	None	-	-
Room 116	WF	<2.5	-	-	None	-	-
Room 111	WF	2.9	-	-	None	-	-
Room 110	WF	<2.5	-	-	None	-	-
Room 112	WF	4.8	-	-	None	-	-
Room 112 [New Fixture 2018]	WF	<1.0	-	-	None	-	-
Room 130 SK (Left)	SK	6.2	-	-	None	-	-
Room 155	SK	<1.0	-	-	None	-	-
Room 154	SK	<1.0	-	-	None	-	-
Room 153	SK	2.3	-	-	None	-	-
Room 124	SK	3.6	-	-	None	-	-
Room 125	SK	1.9	-	-	None	-	-
Main Office	SK	3.4	-	-	None	-	-
Nurses Office	SK	6.5	-	-	None	-	-
Kitchen Prep SK (Left)	SK	1.9	-	-	None	-	-
Kitchen Prep SK (Left) [New Fixture 2018]	SK	5.33	-	-	None	-	-
Kitchen Prep SK (Right)	SK	1.9	-	-	None	-	-
Kitchen Prep SK (Right) [New Fixture 2018]	SK	6.33	-	-	None	-	-
Room 132	WF	3.1	-	-	None	-	-
Room 131	WF	6.9	-	-	None	-	-
Kindergarten Rotunda	WF	1.4	-	-	None	-	-
WF by Room 130	WF	14	-	-	None	-	-
North Hallway Ladies BR @ (A)	SK	1.9	-	-	None	-	-
North Hallway Ladies BR @ (B)	SK	2.4	-	-	None	-	-

Lead in Drinking Water Test Results

As of 10/3/18

Sample Location	Fixture Type	1 st Draw Results (ppb)	15 Second Draw Results (ppb)	60 Second Draw Results (ppb)	Remedial Recommendation	Remedial Response	Post Remediation Test Results (ppb)
Room 109	SK	7.9	-	-	None	-	-
Teacher's Lounge	SK	3.9	-	-	None	-	-
Art Room @ (A)	SK	<1.0	-	-	None	-	-
Art Room @ (B)	SK	<1.0	-	-	None	-	-
Art Room @ (C)	SK	<1.0	-	-	None	-	-
Nurse's Office BR	SK	<1.0	-	-	None	-	-
Main Office BR	SK	2.2	-	-	None	-	-
Library Staff BR	SK	4.6	-	-	None	-	-
Library Student BR	SK	2.4	-	-	None	-	-
Room 106	SK	6.6	-	-	None	-	-
Room 130 (right)	SK	11	-	-	None	-	-
Boy's BR by RM 129 @ (A)	SK	2.5	-	-	None	-	-
Girl's BR by RM 129 @ (A)	SK	2.8	-	-	None	-	-
Girl's BR by RM 129 @ (B)	SK	2.3	-	-	None	-	-
Girl's BR by RM 129 @ (C)	SK	1	-	-	None	-	-
Girl's BR by RM 129 @ (D)	SK	2.1	-	-	None	-	-
CC by RM 129	SS	1.8	-	-	None	-	-
Room 131	SK	5.7	-	-	None	-	-
Room 132	SK	8.5	-	-	None	-	-
Room 133	SK	3.6	-	-	None	-	-
Room 134	SK	3.4	-	-	None	-	-
Room 135	SK	2.2	-	-	None	-	-
Room 136	SK	1.7	-	-	None	-	-
Room 137	SK	4	-	-	None	-	-

Lead in Drinking Water Test Results

As of 10/3/18

Sample Location	Fixture Type	1 st Draw Results (ppb)	15 Second Draw Results (ppb)	60 Second Draw Results (ppb)	Remedial Recommendation	Remedial Response	Post Remediation Test Results (ppb)
Room 138	SK	8.5	-	-	None	-	-
Room 139	SK	5.8	-	-	None	-	-
Room 140	SK	4.3	-	-	None	-	-
Room 141	SK	4.9	-	-	None	-	-
Room 142	SK	5.9	-	-	None	-	-
Room 155 BR	SK	2.9	-	-	None	-	-
Room 151 Counter @ (A)	SK	2.7	-	-	None	-	-
Room 151 Counter @ (B)	SK	4.9	-	-	None	-	-
Room 152	SK	6	-	-	None	-	-
Room 152 BR	SK	30	7.8	5.5	FR	Completed FR	#8.65 (9/1/2018)
Room 153	WF	1.1	-	-	None	-	-
Room 154 BR	SK	4	-	-	None	-	-
CC by RM 154	SS	34	<1.0	<1.0	FR	SIGN	21.6 (7/24/2018)
Kindergarten Rotunda	SK	4.4	-	-	None	-	-
South Hallway Men's BR	SK	1.7	-	-	None	-	-
South Hallway Women's BR @ (A)	SK	3.3	-	-	None	-	-
South Hallway Women's BR @ (B)	SK	3.3	-	-	None	-	-
Coach's Office	SK	20	<1.0	<1.0	FR	SIGN	20.1 (9/1/2018)
Girl's LR @ (A)	SK	6.3	-	-	None	-	-
Girl's LR @ (B)	SK	8.9	-	-	None	-	-
Boy's LR @ (A)	SK	7.6	-	-	None	-	-
Boy's LR @ (A) [New Fixture 2018]	SK	12.8	-	-	None	-	-
Boy's LR @ (B)	SK	23	14	10	FR	SIGN	378 (9/1/2018)
Room 124 BR	SK	3	-	-	None	-	-

Lead in Drinking Water Test Results

As of 10/3/18

Sample Location	Fixture Type	1 st Draw Results (ppb)	15 Second Draw Results (ppb)	60 Second Draw Results (ppb)	Remedial Recommendation	Remedial Response	Post Remediation Test Results (ppb)
Room 125 BR	SK	1.6	-	-	None	-	-
Room 123	SK	1.9	-	-	None	-	-
Room 121	SK	4.2	-	-	None	-	-
Room 117	SK	1.8	-	-	None	-	-
Room 118	SK	<1.0	-	-	None	-	-
Room 119	SK	2.6	-	-	None	-	-
Room 120	SK	2.1	-	-	None	-	-
Room 113	SK	4	-	-	None	-	-
Room 114	SK	2	-	-	None	-	-
Room 115	SK	2.9	-	-	None	-	-
Room 116	SK	2.2	-	-	None	-	-
Room 110	SK	4.6	-	-	None	-	-
Room 111	SK	5.2	-	-	None	-	-
Room 112	SK	17	1.9	1.1	FR	Completed FR	#5.93 (9/1/2018)
East Hallway Men's BR @ (A)	SK	11	-	-	None	-	-
East Hallway Men's BR @ (B)	SK	2.1	-	-	None	-	-
CC by Dining Room	SS	2.5	-	-	None	-	-
Library CC	SS	<1.0	-	-	None	-	-
Custodian's Office CC	SS	7.8	-	-	None	-	-
Custodian's Office Children's BR by Basement	SK	<1.0	-	-	None	-	-
Custodian's Office Children's BR by Storage	SK	<1.0	-	-	None	-	-
Boiler Room	SK	18	<1.0	<1.0	FR	SIGN	35.2 (7/24/2018)
Kitchen Sanitizer Station	SPRAY	2.2	-	-	None	-	-
Kitchen Island Handwash	SK	3.2	-	-	None	-	-

Lead in Drinking Water Test Results

As of 10/3/18

Sample Location	Fixture Type	1 st Draw Results (ppb)	15 Second Draw Results (ppb)	60 Second Draw Results (ppb)	Remedial Recommendation	Remedial Response	Post Remediation Test Results (ppb)
Kitchen Warewashing Station	SK	3.5	-	-	None	-	-
Kitchen Warewashing Station [New Fixture 2018]	SK	25			FR	SIGN	

Code Key

Remediation Type Codes

FR	=	Fixture replacement
FRSLV	=	Replacement of fixture, supply lines, and valves
FRSLVPA	=	Replacement of fixture, supply lines, valves and plumbing assessment
SIGN	=	Warning sign posting
CAP	=	Remove fixture or cap line

Room ID Codes

CC	=	Custodian Closet
MPR	=	Multi Purpose Room
Café	=	Cafeteria
Sci	=	Science Lab
PE	=	Physical Ed
BR	=	Bathroom
LR	=	Locker Room
RM	=	Room

Fixture Type Codes

WF	=	Water Fountain
SK	=	Sink
SS	=	Slop Sink
SP	=	Spigot
PF	=	Pot Filler
HB	=	Hose Bib
IM	=	Ice Machine
WC	=	Water Cooler
SH	=	Shower
SL	=	Supply Line

Result Code

ND	=	Not Detected
<	=	Less Than
-	=	No Testing Required
#	=	When seen in the Post Remediation Test Results: after numerous failing tests, the Hashtag is used to show a passing result



Lead in Drinking Water Test Results

As of 10/3/18

Sample Location	Fixture Type	1 st Draw Results (ppb)	15 Second Draw Results (ppb)	60 Second Draw Results (ppb)	Remedial Recommendation	Remedial Response	Post Remediation Test Results (ppb)
RM 103	WF	9.9	-	-	None	-	-
RM 104	WF	5.1	-	-	None	-	-
RM 108	WF	10	-	-	None	-	-
RM 110	WF	2.3	-	-	None	-	-
WF Outside Main Office	WF	11	-	-	None	-	-
WF by RM 120 B (Lower)	WF	<1.0	-	-	None	-	-
RM 122	WF	7.2	-	-	None	-	-
RM 123A	WF	6.1	-	-	None	-	-
RM 125	WF	6.4	-	-	None	-	-
RM 127	WF	5.6	-	-	None	-	-
RM 126	WF	5.2	-	-	None	-	-
Rm 128	WF	4.5	-	-	None	-	-
RM 129	WF	6.8	-	-	None	-	-
WF by RM 132	WF	13	-	-	None	-	-
RM 134	WF	7.6	-	-	None	-	-
RM 133	WF	4.7	-	-	None	-	-
RM 138	WF	<1.0	-	-	None	-	-
RM 137	WF	7.5	-	-	None	-	-
RM 139	WF	10	-	-	None	-	-
RM 142	WF	12	-	-	None	-	-
RM 102	WF	3.3	-	-	None	-	-
RM 105	WF	<1.0	-	-	None	-	-

Lead in Drinking Water Test Results

As of 10/3/18

Sample Location	Fixture Type	1 st Draw Results (ppb)	15 Second Draw Results (ppb)	60 Second Draw Results (ppb)	Remedial Recommendation	Remedial Response	Post Remediation Test Results (ppb)
RM 106	WF	5.8	-	-	None	-	-
RM 107	WF	<1.0	-	-	None	-	-
RM 109	WF	<1.0	-	-	None	-	-
RM 112	WF	<1.0	-	-	None	-	-
RM 124	WF	3	-	-	None	-	-
RM 130	WF	3.3	-	-	None	-	-
RM 136	WF	5.1	-	-	None	-	-
RM 140	WF	1.4	-	-	None	-	-
RM 135	WF	<1.0	-	-	None	-	-
Kitchen Pot Filler	SK	<1.0	-	-	None	-	-
Kitchen Prep (Left)	SK	<1.0	-	-	None	-	-
Kitchen Prep [New Fixture 2018]	SK	6.85	-	-	None	-	-
Main Office	SK	2.8	-	-	None	-	-
Faculty Room	SK	<1.0	-	-	None	-	-
Room 101	SK	3.3	-	-	None	-	-
Nurse's Office	SK	<1.0	-	-	None	-	-
Library Office	SK	4.8	-	-	None	-	-
Kitchen Prep SK (Center)	SK	21	8.4	2.1	FR	Completed FR	#10.3 (9/1/2018)
Kitchen Prep SK (Right)	SK	19	1.5	<1.0	FR	SIGN	15.2 (9/1/2018)
Room 121	WF	16	3.6	2.6	FR	CAP	44 (9/1/2018)
Room 132	WF	<1.0	6	1.9	None	-	-
Room 112	SK	21	<1.0	<1.0	FR	SIGN	39.3 (9/1/2018)

Lead in Drinking Water Test Results

As of 10/3/18

Sample Location	Fixture Type	1 st Draw Results (ppb)	15 Second Draw Results (ppb)	60 Second Draw Results (ppb)	Remedial Recommendation	Remedial Response	Post Remediation Test Results (ppb)
Room 112 BR	SK	7.6	-	-	None	-	-
Room 109	SK	1.3	-	-	None	-	-
Room 109 BR	SK	3.7	-	-	None	-	-
Room 110	SK	15	-	-	None	-	-
Room 110 BR	SK	3.4	-	-	None	-	-
CC 100 Wing	SS	17	<1.0	<1.0	FR	Flush & Retest	<1.0
Room 108	SK	4.9	-	-	None	-	-
Room 108 BR	SK	<1.0	-	-	None	-	-
Room 107	SK	<1.0	-	-	None	-	-
Room 107 BR	SK	6.6	-	-	None	-	-
Room 106	SK	16	<1.0	<1.0	FR	SIGN	20.5 (9/1/2018)
Room 106 BR	SK	4	-	-	None	-	-
Room 105	SK	6.6	-	-	None	-	-
Room 105 BR	SK	2.9	-	-	None	-	-
Room 104	SK	5.4	-	-	None	-	-
Room 104 BR	SK	4.1	-	-	None	-	-
Room 103	SK	4.2	-	-	None	-	-
Room 103 BR	SK	3.9	-	-	None	-	-
Room 102	SK	22	<1.0	<1.0	FR	SIGN	94.2 (9/1/2018)
Room 102 BR	SK	5.8	-	-	None	-	-
CC by Main Office	SS	<1.0	-	-	None	-	-
Room 101 BR	SK	7.7	-	-	None	-	-

Lead in Drinking Water Test Results

As of 10/3/18

Sample Location	Fixture Type	1 st Draw Results (ppb)	15 Second Draw Results (ppb)	60 Second Draw Results (ppb)	Remedial Recommendation	Remedial Response	Post Remediation Test Results (ppb)
Men's Faculty BR @ (A)	SK	4.4	-	-	None	-	-
Men's Faculty BR @ (B)	SK	5.5	-	-	None	-	-
Ladies Faculty BR @ (A)	SK	1.9	-	-	None	-	-
Ladies Faculty BR @ (B)	SK	1.8	-	-	None	-	-
Nurse's Office BR	SK	4.8	-	-	None	-	-
Toni Fabian BR	SK	31	26	3.1	FRSLV	SIGN	379 (9/1/2018)
WF by Room 120B	WF	<1.0	-	-	None	-	-
Room 119	SK	<1.0	-	-	None	-	-
Room 121	SK	5.1	-	-	None	-	-
CC 120 Wing	SS	<1.0	-	-	None	-	-
Boy's BR in 120 Wing @ (A)	SK	24	4.2	<1.0	FR	Completed FR	#4.6 (9/1/2018)
Boy's BR in 120 Wing @ (B)	SK	1.5	-	-	None	-	-
Boy's BR in 120 Wing @ (C)	SK	1.8	-	-	None	-	-
Ladies BR in 120 Wing @ (A)	SK	2.2	-	-	None	-	-
Ladies BR in 120 Wing @ (B)	SK	1.2	-	-	None	-	-
Ladies BR in 120 Wing @ (C)	SK	2.2	-	-	None	-	-
Room 123 (A)	SK	4.4	-	-	None	-	-
Room 122	SK	1.5	-	-	None	-	-
Room 125	SK	5.2	-	-	None	-	-
Room 124	SK	9.9	-	-	None	-	-
Room 127	SK	11	-	-	None	-	-
Room 126	SK	5.7	-	-	None	-	-

Lead in Drinking Water Test Results

As of 10/3/18

Sample Location	Fixture Type	1 st Draw Results (ppb)	15 Second Draw Results (ppb)	60 Second Draw Results (ppb)	Remedial Recommendation	Remedial Response	Post Remediation Test Results (ppb)
Room 129	SK	4.6	-	-	None	-	-
Room 128	SK	5.6	-	-	None	-	-
Women faculty BR in 130 Wing	SK	<1.0	-	-	None	-	-
Men Faculty BR in 130 Wing	SK	1.8	-	-	None	-	-
Room 130	SK	1.4	-	-	None	-	-
Boy's BR in 130 Wing @ (A)	SK	4.3	-	-	None	-	-
Boy's BR in 130 Wing @ (B)	SK	3.5	-	-	None	-	-
Boy's BR in 130 Wing @ (C)	SK	4.4	-	-	None	-	-
CC 130 Wing	SS	20	<1.0	<1.0	FR	SIGN	22.7 (7/24/2018)
Girl's BR in 130 Wing @ (A)	SK	2.3	-	-	None	-	-
Girl's BR in 130 Wing @ (B)	SK	3.7	-	-	None	-	-
Girl's BR in 130 Wing @ (C)	SK	4.5	-	-	None	-	-
Room 132	SK	5.3	-	-	None	-	-
Room 134	SK	3.6	-	-	None	-	-
Room 133	SK	7.4	-	-	None	-	-
Room 136	SK	2.9	-	-	None	-	-
Room 135	SK	3.4	-	-	None	-	-
Room 138	SK	4.2	-	-	None	-	-
Room 137	SK	5.1	-	-	None	-	-
Room 140	SK	7	-	-	None	-	-
Room 139	SK	6.5	-	-	None	-	-
Room 142	SK	4.9	-	-	None	-	-

Lead in Drinking Water Test Results

As of 10/3/18

Sample Location	Fixture Type	1 st Draw Results (ppb)	15 Second Draw Results (ppb)	60 Second Draw Results (ppb)	Remedial Recommendation	Remedial Response	Post Remediation Test Results (ppb)
Kitchen Sanitizer	SK	1.8	-	-	None	-	-
Kitchen Island	SK	4.5	-	-	None	-	-
Kitchen Island [New Fixture 2018]	SK	6.91	-	-	None	-	-
Kitchen Dishwashing Station	SK	3.1	-	-	None	-	-
Kitchen Dishwashing Station Spray	SPRAY	<1.0	-	-	None	-	-
Kitchen BR	SK	22	3.7	2.7	FR	SIGN	56.4 (9/1/2018)
Toni Fabian BR @ (B)	SK	44	<1.0	<1.0	FR	SIGN	159 (9/1/2018)

Code Key

Remediation Type Codes

FR	=	Fixture replacement
FRSLV	=	Replacement of fixture, supply lines, and valves
FRSLVPA	=	Replacement of fixture, supply lines, valves and plumbing assessment
SIGN	=	Warning sign posting
CAP	=	Remove fixture or cap line

Room ID Codes

CC	=	Custodian Closet
MPR	=	Multi Purpose Room
Café	=	Cafeteria
Sci	=	Science Lab
PE	=	Physical Ed
BR	=	Bathroom
LR	=	Locker Room
RM	=	Room

Fixture Type Codes

WF	=	Water Fountain
SK	=	Sink
SS	=	Slop Sink
SP	=	Spigot
PF	=	Pot Filler
HB	=	Hose Bib
IM	=	Ice Machine
WC	=	Water Cooler
SH	=	Shower
SL	=	Supply Line

Result Code

ND	=	Not Detected
<	=	Less Than
-	=	No Testing Required
#	=	When seen in the Post Remediation Test Results: after numerous failing tests, the Hashtag is used to show a passing result



Lead in Drinking Water Test Results

As of 10/3/18

Sample Location	Fixture Type	1 st Draw Results (ppb)	15 Second Draw Results (ppb)	60 Second Draw Results (ppb)	Remedial Recommendation	Remedial Response	Post Remediation Test Results (ppb)
WF Nearby Room 113 (Right)	WF	2.9	-	-	None	-	-
WF Nearby Room 113 (Left)	WF	3.4	-	-	None	-	-
Girls LR by Office	WF	9	-	-	None	-	-
Girls LR by BR WF (Right)	WF	<2.5	-	-	None	-	-
Girls LR by BR WF (Left)	WF	3.2	-	-	None	-	-
Boys LR by Office	WF	<2.5	-	-	None	-	-
WF Across Room 103 (Right)	WF	4.8	-	-	None	-	-
WF Across Room 103 (Left)	WF	9.4	-	-	None	-	-
WF Across Technology Room (Right)	WF	6.6	-	-	None	-	-
WF Across Technology Room (Left)	WF	8	-	-	None	-	-
Boys LR by Pool	WF	7.2	-	-	None	-	-
WF by Faculty Room	WF	<2.5	-	-	None	-	-
Cafeteria "A"	WF	<2.5	-	-	None	-	-
Cafeteria "B"	WF	<2.5	-	-	None	-	-
WF by Room 235 (Right)	WF	3.6	-	-	None	-	-
WF by Room 235 (Left)	WF	3	-	-	None	-	-
WF Across Room 204 (Right)	WF	4.8	-	-	None	-	-
WF Across Room 204 (Left)	WF	6.9	-	-	None	-	-
Kitchen Island Sink	SK	7.5	-	-	None	-	-
Kitchen Pot Filler (Right)	SK	43			FR	CAP	-
Kitchen Pot Filler (Left)	SK	110			FR	Completed FR	7.4
Kitchen Prep Sink	SK	7.9	-	-	None	-	-
Boy's LR by Pool	SK	2.4	-	-	None	-	-

Lead in Drinking Water Test Results

As of 10/3/18

Sample Location	Fixture Type	1 st Draw Results (ppb)	15 Second Draw Results (ppb)	60 Second Draw Results (ppb)	Remedial Recommendation	Remedial Response	Post Remediation Test Results (ppb)
Girl's LR by Pool	SK	5.4	-	-	None	-	-
Room 112	SK	32	1.4	1.4	FR	Completed FR	#1.30 (9/1/2018)
Faculty Room	SK	2.6	-	-	None	-	-
Nurse's Office	SK	5.9	-	-	None	-	-
Nurse's Office BR	SK	6.3	-	-	None	-	-
Work Room Kitchen	SK	14	-	-	None	-	-
Room 247	SK	295			FR	Completed FR	12
Girl's LR by Pool	WF	17	25	4.7	FRSLV	Completed FRSLV	11
WF by Room 229	WF	7.5	-	-	None	-	-
Room 116 Station 1	SK	3.5	-	-	None	-	-
Room 116 Station 2	SK	4.9	-	-	None	-	-
Room 116 Station 3	SK	<1.0	-	-	None	-	-
Room 116 Station 4	SK	23	<1.0	<1.0	FR	SIGN	
Room 116 Station 5	SK	5	-	-	None	-	-
Room 115 Station 1	SK	16	12	<1.0	FR	SIGN	
Room 115 Station 2	SK	4.7	-	-	None	-	-
Room 115 Station 3	SK	6.6	-	-	None	-	-
Room 115 Station 4	SK	5.3	-	-	None	-	-
Room 115 Station 5	SK	14	-	-	None	-	-
Room 114	SK	7.3	-	-	None	-	-
Ladies BR by Cafe @ (D)	SK	5.2	-	-	None	-	-
Ladies BR by Cafe @ (E)	SK	<1.0	-	-	None	-	-
Ladies BR by Cafe @ (F)	SK	1	-	-	None	-	-
Men's BR by Cafe @ (B)	SK	<1.0	-	-	None	-	-

Lead in Drinking Water Test Results

As of 10/3/18

Sample Location	Fixture Type	1 st Draw Results (ppb)	15 Second Draw Results (ppb)	60 Second Draw Results (ppb)	Remedial Recommendation	Remedial Response	Post Remediation Test Results (ppb)
Men's BR by Cafe @ (D)	SK	3.5	-	-	None	-	-
Men's BR by Cafe @ (E)	SK	1.2	-	-	None	-	-
Boy's BR by Auditorium @ (A)	SK	8.1	-	-	None	-	-
Boy's BR by Auditorium @ (B)	SK	7.8	-	-	None	-	-
Boy's BR by Auditorium @ (C)	SK	16	12	5.9	FR	SIGN	
Girl's BR by Auditorium @ (A)	SK	14	-	-	None	-	-
Girl's BR by Auditorium @ (B)	SK	25	18	10	FRSLV	SIGN	
Girl's BR by Auditorium @ (C)	SK	21	14	10	FR	SIGN	
Girl's LR BR @ (A)	SK	5.4	-	-	None	-	-
Girl's LR BR @ (B)	SK	5.6	-	-	None	-	-
Girl's LR Office BR	SK	9.7	-	-	None	-	-
Boy's LR Office BR	SK	2.7	-	-	None	-	-
Boy's LR Office	IM	<1.0	-	-	None	-	-
Boy's LR BR @ (A)	SK	<1.0	-	-	None	-	-
Room 112	SK	5.4	-	-	None	-	-
Men's BR in Tech Hallway @ (A)	SK	5.2	-	-	None	-	-
Men's BR in Tech Hallway @ (B)	SK	12	-	-	None	-	-
Room 110	SK	4.7	-	-	None	-	-
Room 111	SK	12	-	-	None	-	-
Room 108	SK	12	-	-	None	-	-
Girl's LR by Pool @ (B)	SK	<1.0	-	-	None	-	-
Boy's LR by Pool @ (B)	SK	<1.0	-	-	None	-	-
Coach's BR by Pool	SK	1.8	-	-	None	-	-

Lead in Drinking Water Test Results

As of 10/3/18

Sample Location	Fixture Type	1 st Draw Results (ppb)	15 Second Draw Results (ppb)	60 Second Draw Results (ppb)	Remedial Recommendation	Remedial Response	Post Remediation Test Results (ppb)
Pool BR	SK	1.5	-	-	None	-	-
Pool Chemical Storage Room	SS	1	-	-	None	-	-
Men's BR by Music Room	SK	4.1	-	-	None	-	-
Women's BR by Music Room	SK	1.4	-	-	None	-	-
Room 106 @ (A)	SK	29	2.1	1.2	FR	SIGN	
Room 106 @ (B)	SK	25	1.2	<1.0	FR	SIGN	
Room 105 @ (A)	SK	7.8	-	-	None	-	-
Room 105 @ (B)	SK	11	-	-	None	-	-
Room 104 Unit @ (A)	SK	14	-	-	None	-	-
Room 104 Unit @ (B)	SK	34	3.5	1.1	FR	SIGN	
Room 104 Counter	SK	17	<1.0	<1.0	FR	SIGN	
Room 103 @ (A)	SK	2	-	-	None	-	-
Room 103 @ (B)	SK	1.6	-	-	None	-	-
Girl's BR by RM 103 @ (A)	SK	16	10	7.4	FR	SIGN	
Girl's BR by RM 103 @ (B)	SK	35	20	9.7	FRSLV	SIGN	
Girl's BR by RM 103 @ (C)	SK	144	45	9.5	FRSLV	SIGN	
Room 102	SK	11	-	-	None	-	-
Office Copy Room	SK	6	-	-	None	-	-
Men's BR by Main Office	SK	<1.0	-	-	None	-	-
Women's BR by Main Office	SK	<1.0	-	-	None	-	-
Kitchen BR @ (A)	SK	3.8	-	-	None	-	-
Kitchen BR @ (B)	SK	5.2	-	-	None	-	-
Kitchen Handwash by Ovens	SK	14	-	-	None	-	-

Lead in Drinking Water Test Results

As of 10/3/18

Sample Location	Fixture Type	1 st Draw Results (ppb)	15 Second Draw Results (ppb)	60 Second Draw Results (ppb)	Remedial Recommendation	Remedial Response	Post Remediation Test Results (ppb)
Kitchen Sanitizer @ (A)	SK	<1.0	-	-	None	-	-
Kitchen Sanitizer	SPRAY	<1.0	-	-	None	-	-
Kitchen Sanitizer @ (B)	SK	4.1	-	-	None	-	-
Kitchen Dishwasher Handwash by Prep SK	SK	4.5	-	-	None	-	-
Kitchen Dishwasher Handwash by Prep SK [New Fixture 2018]	SK	60.8			FR	SIGN	
Kitchen Dishwasher by Prep SK	SPRAY	6	-	-	None	-	-
Kitchen Dishwasher by Prep SK [New Fixture 2018]	SPRAY	2.47	-	-	None	-	-
Kitchen Dishwasher Handwash by desk	SK	26	5.1	1.3	FR	SIGN	65.3 (9/1/2018)
Kitchen Dishwasher by desk	SPRAY	41	2.2	<1.0	FR	SIGN	27.3 (9/1/2018)
Kitchen Serving Line A Handwash	SK	11	-	-	None	-	-
Kitchen Serving Line B Handwash	SK	6	-	-	None	-	-
Boiler Room	SS	22	6.9	<1.0	FR	SIGN	
Custodial Office	SS	<1.0	-	-	None	-	-
Custodial BR	SK	<1.0	-	-	None	-	-
CC by RM 103	SS	4.1	-	-	None	-	-
CC by RM 112	SS	4.2	-	-	None	-	-
Oustide Spigot by Girl's Lobby North	SP	219	6.7	<1.0	FR	SIGN	
Oustide Spigot by Girl's Gym LR East	SP	6.8	-	-	None	-	-
Outside Spigot by Boy's LR South	SP	5.3	-	-	None	-	-
Outside Spigot by Metal Shop East	SP	407			FR	SIGN	
Outside Spigot by Filter Room East	SP	17	<1.0	1.3	FR	SIGN	
Outside Spigot by Choral Room South	SP	15	-	-	None	-	-
Outside Spigot by Art Room West	SP	606	27	173	FRSLVPA	SIGN	

Lead in Drinking Water Test Results

As of 10/3/18

Sample Location	Fixture Type	1 st Draw Results (ppb)	15 Second Draw Results (ppb)	60 Second Draw Results (ppb)	Remedial Recommendation	Remedial Response	Post Remediation Test Results (ppb)
Outside Spigot by Room 103 West	SP	192	48	314	FRSLVPA	SIGN	
Outside Spigot by Main Office West	SP	308	13	<1.0	FR	SIGN	
Outside Spigot by Boiler Room	SP	247	13	1.4	FR	SIGN	
Teachers Men's BR by RM 238 @ (A)	SK	6.2	-	-	None	-	-
Teachers Men's BR by RM 238 @ (B)	SK	13	-	-	None	-	-
Teachers Men's BR by RM 238 @ (C)	SK	23	19	7.9	FRSLV	SIGN	
Teachers Men's BR by RM 238 @ (D)	SK	15	-	-	None	-	-
Teachers Women's BR by RM 238 @ (A)	SK	1.9	-	-	None	-	-
Teachers Women's BR by RM 238 @ (B)	SK	4.5	-	-	None	-	-
Teachers Women's BR by RM 238 @ (C)	SK	<1.0	-	-	None	-	-
Room 239 Table 1 @ (A)	SK	11	-	-	None	-	-
Room 239 Table 1 @ (B)	SK	13	-	-	None	-	-
Room 239 Table 2 @ (A)	SK	7.9	-	-	None	-	-
Room 239 Table 2 @ (B)	SK	6.2	-	-	None	-	-
Room 239 Table 3 @ (A)	SK	13	-	-	None	-	-
Room 239 Table 3 @ (B)	SK	25	7.6	6.8	FR	SIGN	
Room 240 Teacher's Station	SK	2386	-	-	FR	CAP	-
Room 240 Table 1 @ (A)	SK	594	6.9	3.8	FR	SIGN	
Room 240 Table 1 @ (B)	SK	492	12	7.1	FR	SIGN	
Room 240 Table 2 @ (A)	SK	33	2.9	<1.0	FR	SIGN	
Room 240 Table 2 @ (B)	SK	20	1.5	<1.0	FR	SIGN	
Room 240 Table 3 @ (A)	SK	50	21	2	FRSLV	SIGN	
Room 240 Table 3 @ (B)	SK	330	22	2.8	FRSLV	SIGN	

Lead in Drinking Water Test Results

As of 10/3/18

Sample Location	Fixture Type	1 st Draw Results (ppb)	15 Second Draw Results (ppb)	60 Second Draw Results (ppb)	Remedial Recommendation	Remedial Response	Post Remediation Test Results (ppb)
Room 243 Teacher's Station	SK	45	3.2	4.4	FR	SIGN	
Room 243 Table 1 @ (A)	SK	32	16	5.9	FRSLV	SIGN	
Room 243 Table 1 @ (B)	SK	27	14	11	FR	SIGN	
Room 243 Table 2 @ (A)	SK	33	6.4	3.9	FR	SIGN	
Room 243 Table 2 @ (B)	SK	27	18	3.8	FRSLV	SIGN	
Room 243 Table 3 @ (A)	SK	9053	35	9.1	FRSLV	SIGN	
Room 243 Table 3 @ (B)	SK	62	19	7.7	FRSLV	SIGN	
Room 206 Teacher's Station	SK	386	21	2.7	FRSLV	SIGN	
Room 206 Table 2 @ (A)	SK	8.6	-	-	None	-	-
Room 206 Table 2 @ (B)	SK	8.4	-	-	None	-	-
Room 206 Table 3 @ (A)	SK	38	3.1	1.6	FR	SIGN	
Room 206 Table 3 @ (B)	SK	32	3.7	1.9	FR	SIGN	
Room 207 Table 1 @ (A)	SK	26	<1.0	<1.0	FR	SIGN	
Room 207 Table 1 @ (B)	SK	17	8.8	1.3	FR	SIGN	
Room 207 Table 3 @ (A)	SK	3.4	-	-	None	-	-
Room 207 Table 3 @ (B)	SK	6.2	-	-	None	-	-
Room 245 Teacher's Station	SK	17	1.8	1	FR	SIGN	
Room 245 Table 1 @ (A)	SK	12	-	-	None	-	-
Room 245 Table 1 @ (B)	SK	7.8	-	-	None	-	-
Room 245 Table 2 @ (A)	SK	17	4	16	Review Required	SIGN	
Room 245 Table 2 @ (B)	SK	14	-	-	None	-	-
Room 245 Table 2 @ (C)	SK	18	6.4	2.9	FR	SIGN	
Room 245 Table 3 @ (A)	SK	13	-	-	None	-	-

Lead in Drinking Water Test Results

As of 10/3/18

Sample Location	Fixture Type	1 st Draw Results (ppb)	15 Second Draw Results (ppb)	60 Second Draw Results (ppb)	Remedial Recommendation	Remedial Response	Post Remediation Test Results (ppb)
Room 245 Table 3 @ (B)	SK	4.8	-	-	None	-	-
Room 245 Table 4 @ (A)	SK	3.3	-	-	None	-	-
Room 245 Table 4 @ (B)	SK	3.9	-	-	None	-	-
Room 246 Teacher's Station	SK	57	-	-	FR	CAP	-
Room 246 Table 1 @ (A)	SK	101	2.3	1.4	FR	SIGN	
Room 246 Table 1 @ (B)	SK	20	1.8	<1.0	FR	SIGN	
Room 246 Table 2 @ (A)	SK	160	14	13	FR	SIGN	
Room 246 Table 2 @ (B)	SK	38	7.7	6.7	FR	SIGN	
Room 246 Table 3 @ (A)	SK	8.5	-	-	None	-	-
Room 246 Table 3 @ (B)	SK	6.1	-	-	None	-	-
Room 246 Table 4 @ (B)	SK	9.3	-	-	None	-	-
Room 231 Table 1 @ (A)	SK	5.9	-	-	None	-	-
Room 231 Table 1 @ (B)	SK	5.7	-	-	None	-	-
Room 231 Table 3 @ (A)	SK	159	2.5	2.3	FR	SIGN	
Room 231 Table 3 @ (B)	SK	26	2.8	4.3	FR	SIGN	
Room 231 Table 4 @ (A)	SK	12	-	-	None	-	-
Room 231 Table 4 @ (B)	SK	15	-	-	None	-	-
Prep RM Counter by RM 207	SK	7.7	-	-	None	-	-
Prep RM Counter by RM 243	SK	27	1.9	<1.0	FR	SIGN	
Prep RM Counter by RM 239	SK	7.6	-	-	None	-	-
Prep RM Island 1 by Storage RM	SK	1014	5.9	3.3	FR	SIGN	
Prep RM Island 2 by RM 231	SK	11	-	-	None	-	-
CC by RM 233	SS	5.4	-	-	None	-	-

Lead in Drinking Water Test Results

As of 10/3/18

Sample Location	Fixture Type	1 st Draw Results (ppb)	15 Second Draw Results (ppb)	60 Second Draw Results (ppb)	Remedial Recommendation	Remedial Response	Post Remediation Test Results (ppb)
Girl's BR by RM 244 @ (A)	SK	39	19	4	FRSLV	SIGN	
Girl's BR by RM 244 @ (B)	SK	1098	135	38	FRSLVPA	SIGN	
Girl's BR by RM 244 @ (C)	SK	671	109	21	FRSLVPA	SIGN	
Girl's BR by RM 244 @ (D)	SK	445	93	20	FRSLVPA	SIGN	
Boy's BR by RM 244 @ (A)	SK	1520	400	157	FRSLVPA	SIGN	
Boy's BR by RM 244 @ (B)	SK	1488	65	13	FRSLV	SIGN	
Boy's BR by RM 244 @ (C)	SK	160	9.1	1.9	FR	SIGN	
Boy's BR by RM 244 @ (D)	SK	206	34	13	FRSLV	SIGN	
CC by RM 205	SS	6.7	-	-	None	-	-
CC by RM 212	SS	2.8	-	-	None	-	-
Teachers Men's BR by RM 213	SK	8.8	-	-	None	-	-
Teachers Women's BR by RM 213 @ (A)	SK	4.7	-	-	None	-	-
Teachers Women's BR by RM 213 @ (B)	SK	11	-	-	None	-	-
Girl's BR by RM 213 @ (A)	SK	25	8.2	4.6	FR	SIGN	
Girl's BR by RM 213 @ (B)	SK	169	27	16	FRSLVPA	SIGN	
WF by RM 229 (Upper)	WF	2.1	-	-	None	-	-
Boy's BR by RM 229	SK	5.8	-	-	None	-	-
Teachers Women's BR by RM 229 @ (A)	SK	3.1	-	-	None	-	-
Teachers Women's BR by RM 229 @ (B)	SK	17	16	3.7	FRSLV	SIGN	
Teachers Men's BR by RM 229	SK	15	-	-	None	-	-
CC by RM 229	SS	4.3	-	-	None	-	-
Library Office	SK	3.8	-	-	None	-	-
Room 246 Table 4 @ (A)	SK	14	-	-	None	-	-

Lead in Drinking Water Test Results

As of 10/3/18

Sample Location	Fixture Type	1 st Draw Results (ppb)	15 Second Draw Results (ppb)	60 Second Draw Results (ppb)	Remedial Recommendation	Remedial Response	Post Remediation Test Results (ppb)
Room 232 Table 1 @ (A)	SK	184	13	4.2	FR	SIGN	
Room 232 Table 1 @ (B)	SK	54	12	2.3	FR	SIGN	
Room 232 Table 3 @ (A)	SK	59	89	3.4	FRSLV	SIGN	
Room 232 Table 3 @ (B)	SK	23	46	5.6	FRSLV	SIGN	
Room 232 Table 4 @ (A)	SK	14	-	-	None	-	-
Room 232 Table 4 @ (B)	SK	12	-	-	None	-	-
Kitchen	IM	<1.0	-	-	None	-	-
Cafeteria East [New Fixture 2018]	WF	<1.0	-	-	None	-	-
Cafeteria East (Bottle Filler) [New Fixture 2018]	WF	<1.0	-	-	None	-	-
Cafeteria West [New Fixture 2018]	WF	<1.0	-	-	None	-	-
Cafeteria West (Bottle Filler) [New Fixture 2018]	WF	<1.0	-	-	None	-	-

Code Key

Remediation Type Codes

FR	=	Fixture replacement
FRSLV	=	Replacement of fixture, supply lines, and valves
FRSLVPA	=	Replacement of fixture, supply lines, valves and plumbing assessment
SIGN	=	Warning sign posting
CAP	=	Remove fixture or cap line

Room ID Codes

CC	=	Custodian Closet
MPR	=	Multi Purpose Room
Café	=	Cafeteria
Sci	=	Science Lab
PE	=	Physical Ed
BR	=	Bathroom
LR	=	Locker Room
RM	=	Room

Fixture Type Codes

WF	=	Water Fountain
SK	=	Sink
SS	=	Slop Sink
SP	=	Spigot
PF	=	Pot Filler
HB	=	Hose Bib
IM	=	Ice Machine
WC	=	Water Cooler
SH	=	Shower
SL	=	Supply Line

Result Code

ND	=	Not Detected
<	=	Less Than
-	=	No Testing Required
#	=	When seen in the Post Remediation Test Results: after numerous failing tests, the Hashtag is used to show a passing result



Lead in Drinking Water Test Results

As of 10/3/18

Sample Location	Fixture Type	1 st Draw Results (ppb)	15 Second Draw Results (ppb)	60 Second Draw Results (ppb)	Remedial Recommendation	Remedial Response	Post Remediation Test Results (ppb)
Gym Main Entrance	WF	<1.0	-	-	None	-	-
Boys LR Entrance	WF	<1.0	-	-	None	-	-
Wellness Center (Left)	WF	<1.0	-	-	None	-	-
Wellness Center (Right)	WF	<1.0	-	-	None	-	-
Girls LR	WF	1.3	-	-	None	-	-
Girls Dugout	WF	5.1	-	-	None	-	-
Boys Dugout	WF	2	-	-	None	-	-
Hall by Room 134	WF	<1.0	-	-	None	-	-
Hall by Room 134 (Left)	WF	<1.0	-	-	None	-	-
Hall by Room 134 (Right)	WF	<1.0	-	-	None	-	-
Hall by Room 122 (Left)	WF	<1.0	-	-	None	-	-
Hall by Room 122 (Right)	WF	<1.0	-	-	None	-	-
Café A/B (Left)	WF	<1.0	-	-	None	-	-
Café A/B (Right)	WF	<1.0	-	-	None	-	-
Hall by Room 104 (Left)	WF	<1.0	-	-	None	-	-
Hall by Room 104 (Right)	WF	<1.0	-	-	None	-	-
Hall by Room 110 (Left)	WF	<1.0	-	-	None	-	-
Hall by Room 110 (Right)	WF	<1.0	-	-	None	-	-
Hall by Room 98 (Left)	WF	<1.0	-	-	None	-	-
Hall by Room 98 (Right)	WF	<1.0	-	-	None	-	-
Outside Auditorium	WF	<1.0	-	-	None	-	-
Hall by Room 127 (Left)	WF	<1.0	-	-	None	-	-
Hall by Room 127 (Right)	WF	<1.0	-	-	None	-	-
Hall by Room 125 (Left)	WF	<1.0	-	-	None	-	-

Lead in Drinking Water Test Results

As of 10/3/18

Sample Location	Fixture Type	1 st Draw Results (ppb)	15 Second Draw Results (ppb)	60 Second Draw Results (ppb)	Remedial Recommendation	Remedial Response	Post Remediation Test Results (ppb)
Hall by Room 125 (Right)	WF	<1.0	-	-	None	-	-
Hall by Room 200A (Left)	WF	<1.0	-	-	None	-	-
Hall by Room 200A (Right)	WF	<1.0	-	-	None	-	-
Hall by Room 206 (Left)	WF	<1.0	-	-	None	-	-
Hall by Room 206 (Right)	WF	<1.0	-	-	None	-	-
Hall by Room 213 (Left)	WF	<1.0	-	-	None	-	-
Hall by Room 213 (Right)	WF	<1.0	-	-	None	-	-
Hall by Room 220 (Left)	WF	<1.0	-	-	None	-	-
Hall by Room 220 (Right)	WF	<1.0	-	-	None	-	-
Hall by Room 234 (Left)	WF	<1.0	-	-	None	-	-
Hall by Room 234 (Right)	WF	<1.0	-	-	None	-	-
Boys Coaches Office BR	SK	<1.0	-	-	None	-	-
Boys LR	SK	2.2	-	-	None	-	-
Girls Coaches Office BR	SK	6.8	-	-	None	-	-
Faculty Dining 1st Fl	SK	1.5	-	-	None	-	-
Kitchen Prep	SK	4.4	-	-	None	-	-
2nd Fl Faculty Room	SK	3	-	-	None	-	-
2nd Fl Teachers Room	SK	4.8	-	-	None	-	-
Nurse's Office	SK	16	5.9	1.5	FR	SIGN	Pending Retest
Room 200D	SK	1.8	-	-	None	-	-
Football Field	SP	1.8	-	-	None	-	-
Girls' Softball (Outside Dugout)	SP	1.5	-	-	None	-	-
Baseball Field/Tennis Court	SP	6.3	-	-	None	-	-
Hall by Room L30	WF	<1.0	-	-	None	-	-

Lead in Drinking Water Test Results

As of 10/3/18

Sample Location	Fixture Type	1 st Draw Results (ppb)	15 Second Draw Results (ppb)	60 Second Draw Results (ppb)	Remedial Recommendation	Remedial Response	Post Remediation Test Results (ppb)
Hall by Room 113 (Left)	WF	7.2	-	-	None	-	-
Hall by Room 113 (Right)	WF	3	-	-	None	-	-
Café C	WF	14	-	-	None	-	-
Girl's BR in Lote Hall @ (A)	SK	3.4	-	-	None	-	-
Girl's BR in Lote Hall @ (B)	SK	5	-	-	None	-	-
Girl's BR in Lote Hall @ (C)	SK	8.3	-	-	None	-	-
Girl's BR in Lote Hall @ (D)	SK	12	-	-	None	-	-
Girl's BR in Lote Hall @ (E)	SK	3.2	-	-	None	-	-
Boy's BR in Lote Hall @ (A)	SK	1.5	-	-	None	-	-
Boy's BR in Lote Hall @ (B)	SK	5	-	-	None	-	-
Boy's BR in Lote Hall @ (C)	SK	8.2	-	-	None	-	-
Boy's BR in Lote Hall @ (E)	SK	8.7	-	-	None	-	-
Library Prep Room	SK	5.8	-	-	None	-	-
CC by RM in Science Hall	SS	<1.0	-	-	None	-	-
Trainer's Room	SK	6.9	-	-	None	-	-
Trainer's Room	SPRAY	17	3.4	1.4	FR	SIGN	
Trainer's Room	IM	<1.0	-	-	None	-	-
Men's BR in Gym Area	SK	7.3	-	-	None	-	-
CC #1	SS	<1.0	-	-	None	-	-
Boy's LR BR @ (A)	SK	1	-	-	None	-	-
Boy's LR BR @ (B)	SK	5.5	-	-	None	-	-
Women's BR in Wellness Center @ (A)	SK	2.4	-	-	None	-	-
Women's BR in Wellness Center @ (B)	SK	29	3.1	1.1	FR	SIGN	
Women's BR in Wellness Center @ (C)	SK	1.7	-	-	None	-	-

Lead in Drinking Water Test Results

As of 10/3/18

Sample Location	Fixture Type	1 st Draw Results (ppb)	15 Second Draw Results (ppb)	60 Second Draw Results (ppb)	Remedial Recommendation	Remedial Response	Post Remediation Test Results (ppb)
Men's BR in Wellness Center @ (A)	SK	4.1	-	-	None	-	-
Men's BR in Wellness Center @ (B)	SK	1.2	-	-	None	-	-
Men's BR in Wellness Center @ (C)	SK	4.3	-	-	None	-	-
CC in Wellnes Center	SS	<1.0	-	-	None	-	-
Girl's LR BR @ (A)	SK	3.2	-	-	None	-	-
Girl's LR BR @ (C)	SK	4.3	-	-	None	-	-
CC # 2 in Gym Area	SS	<1.0	-	-	None	-	-
Women's BR in Gym Area	SK	10	-	-	None	-	-
Faculty Room near Art Hall	SK	<1.0	-	-	None	-	-
Women's Faculty BR in Art Hall	SK	6.5	-	-	None	-	-
Men's Faculty BR in Art Hall	SK	11	-	-	None	-	-
Boy's BR in Art Hall @ (A)	SK	25	4.7	1	FR	SIGN	
Boy's BR in Art Hall @ (B)	SK	12	-	-	None	-	-
Boy's BR in Art Hall @ (C)	SK	14	-	-	None	-	-
Boy's BR in Art Hall @ (D)	SK	38	1.3	1.1	FR	SIGN	
Girl's BR in Art Hall @ (A)	SK	6.7	-	-	None	-	-
Girl's BR in Art Hall @ (B)	SK	4.5	-	-	None	-	-
Girl's BR in Art Hall @ (C)	SK	4.7	-	-	None	-	-
CC in Art Hall	SS	13	-	-	None	-	-
Room 135 @ (A)	SK	<1.0	-	-	None	-	-
Room 135 @ (B)	SK	<1.0	-	-	None	-	-
Room 137 @ (A)	SK	2.3	-	-	None	-	-
Room 137 @ (B)	SK	<1.0	-	-	None	-	-
Room 138 @ (A)	SK	<1.0	-	-	None	-	-

Lead in Drinking Water Test Results

As of 10/3/18

Sample Location	Fixture Type	1 st Draw Results (ppb)	15 Second Draw Results (ppb)	60 Second Draw Results (ppb)	Remedial Recommendation	Remedial Response	Post Remediation Test Results (ppb)
Room 138 @ (B)	SK	1	-	-	None	-	-
Room 112 Teacher's Station 1 @ (A)	SK	23	6.2	3.3	FR	CAP	
Room 112 Teacher's Station 2 @ (A)	SK	20	7.6	3.9	FR	CAP	
Room 112 Teacher's Station 2 @ (B)	SK	28	4.3	2.5	FR	CAP	
Room 112 Counter	SK	13	-	-	None	-	-
Room 112 Storage	SK	1.8	-	-	None	-	-
Room 111 Teacher's Station @ (A)	SK	62	4.8	180	Review Required	SIGN	
Room 111 Teacher's Station @ (B)	SK	17	24	7.9	FRSLV	SIGN	
Room 111 Counter @ (A)	SK	110	12	9.3	FR	SIGN	
Room 111 Counter @ (B)	SK	15	-	-	None	-	-
Room 110 Pod 4 @ (A)	SK	9	-	-	None	-	-
Room 110 Pod 4 @ (B)	SK	3.5	-	-	None	-	-
Room 110 Pod 5 @ (A)	SK	6.6	-	-	None	-	-
Room 110 Pod 5 @ (B)	SK	4.6	-	-	None	-	-
Room 110 Counter	SK	6.6	-	-	None	-	-
Room 109 Counter @ (A)	SK	23	5	2.3	FR	SIGN	
Room 109 Counter @ (B)	SK	9.2	-	-	None	-	-
Room 108 Teacher's Station @ (A)	SK	17	9.6	10	FR	SIGN	
Room 108 Teacher's Station @ (B)	SK	15	-	-	None	-	-
Room 108 Island @ (A)	SK	2.8	-	-	None	-	-
Room 108 Island @ (B)	SK	7.5	-	-	None	-	-
Room 108 Island @ (C)	SK	5	-	-	None	-	-
Room 108 Counter 1	SK	12	-	-	None	-	-
Room 108 Counter 2 @ (A)	SK	2.9	-	-	None	-	-

Lead in Drinking Water Test Results

As of 10/3/18

Sample Location	Fixture Type	1 st Draw Results (ppb)	15 Second Draw Results (ppb)	60 Second Draw Results (ppb)	Remedial Recommendation	Remedial Response	Post Remediation Test Results (ppb)
Room 108 Counter 2 @ (B)	SK	16	<1.0	<1.0	FR	SIGN	
Room 107 Pod 1 @ (A)	SK	43	2.6	2	FR	SIGN	
Room 107 Pod 1 @ (B)	SK	66	2	1.5	FR	SIGN	
Room 107 Pod 2 @ (A)	SK	65	5.3	2.5	FR	SIGN	
Room 107 Pod 2 @ (B)	SK	52	2.8	2.2	FR	SIGN	
Room 107 Pod 3 @ (A)	SK	40	3.7	2.7	FR	SIGN	
Room 107 Pod 3 @ (B)	SK	36	4.4	3.2	FR	SIGN	
Room 107 Counter	SK	8.8	-	-	None	-	-
Room 104 Counter 1 @ (B)	SK	8.2	-	-	None	-	-
Room 104 Counter 2 @ (A)	SK	7.7	-	-	None	-	-
Room 104 Counter 2 @ (B)	SK	12	-	-	None	-	-
Room 104 Counter 3	SK	16	2.8	<1.0	FR	SIGN	
Room 103 Teacher's Station	SK	53	7.9	2.9	FR	SIGN	
Room 103 Pod 1 @ (A)	SK	62	2.3	1.9	FR	SIGN	
Room 103 Pod 1 @ (B)	SK	31	2.7	2.5	FR	SIGN	
Room 103 Pod 2 @ (B)	SK	52	4.7	6.5	FR	SIGN	
Room 103 Pod 3 @ (A)	SK	58	2.1	2.6	FR	SIGN	
Room 103 Pod 3 @ (B)	SK	53	5.1	2.6	FR	SIGN	
Room 103 Counter	SK	25	2.5	1.7	FR	SIGN	
Room 101	SK	31	2.7	2.3	FR	SIGN	
Room 102 Teacher's Station	SK	5.1	-	-	None	-	-
Room 102 Counter @ (A)	SK	5.9	-	-	None	-	-
Room 102 Counter @ (B)	SK	3.9	-	-	None	-	-
Men's BR by RM 98	SK	<1.0	-	-	None	-	-

Lead in Drinking Water Test Results

As of 10/3/18

Sample Location	Fixture Type	1 st Draw Results (ppb)	15 Second Draw Results (ppb)	60 Second Draw Results (ppb)	Remedial Recommendation	Remedial Response	Post Remediation Test Results (ppb)
Women's BR by RM 98	SK	<1.0	-	-	None	-	-
CC by RM 98	SS	<1.0	-	-	None	-	-
Room 98 Counter 1	SK	2.4	-	-	None	-	-
Room 98 Counter 2	SK	3.2	-	-	None	-	-
Room 98 Counter 3	SK	14	-	-	None	-	-
Room 98 Counter 4	SK	5.1	-	-	None	-	-
Room 98 Counter 5	SK	2.5	-	-	None	-	-
Room 98 Island @ (B)	SK	2.6	-	-	None	-	-
Room 96 Teacher's Station	SK	798	4.3	3	FR	SIGN	
Room 96 Pod 1 @ (A)	SK	55	3.6	1.7	FR	SIGN	
Room 96 Pod 1 @ (B)	SK	41	1.6	<1.0	FR	SIGN	
Room 96 Pod 2 @ (A)	SK	18	3.1	<1.0	FR	SIGN	
Room 96 Pod 2 @ (B)	SK	13	-	-	None	-	-
Room 96 Pod 3 @ (A)	SK	23	3.8	2.2	FR	SIGN	
Room 96 Pod 3 @ (B)	SK	21	5.2	6.6	FR	SIGN	
Room 96 Pod 4 @ (A)	SK	21	8.3	2.7	FR	SIGN	
Room 96 Pod 4 @ (B)	SK	29	3.8	1.8	FR	SIGN	
Room 96 Counter 1 @ (A)	SK	488	2.6	1.5	FR	SIGN	
Room 96 Counter 1 @ (B)	SK	17	3.5	2.7	FR	SIGN	
Room 96 Handwash	SK	2.2	-	-	None	-	-
Room 96 Counter 2	SK	4.8	-	-	None	-	-
Science Office	SK	1.3	-	-	None	-	-
Band Room 94	SK	<1.0	-	-	None	-	-
Nurse's Office BR 1	SK	1.2	-	-	None	-	-

Lead in Drinking Water Test Results

As of 10/3/18

Sample Location	Fixture Type	1 st Draw Results (ppb)	15 Second Draw Results (ppb)	60 Second Draw Results (ppb)	Remedial Recommendation	Remedial Response	Post Remediation Test Results (ppb)
Nurse's Office BR 2	SK	7.2	-	-	None	-	-
Attendance Office BR	SK	<1.0	-	-	None	-	-
Boy's BR in Main Hall @ (A)	SK	2.6	-	-	None	-	-
Boy's BR in Main Hall @ (B)	SK	2.6	-	-	None	-	-
Concession Stand	SK	4.2	-	-	None	-	-
CC-Stage Crew Paint Closet	SS	29	3	2	FR	SIGN	
Girl's BR in Main Hall @ (A)	SK	1.3	-	-	None	-	-
Girl's BR in Main Hall @ (B)	SK	<1.0	-	-	None	-	-
CC by Main Hall Boy's BR	SS	2.6	-	-	None	-	-
Men's BR by Auditorium	SK	3.2	-	-	None	-	-
Women's BR by Auditorium	SK	<1.0	-	-	None	-	-
Principal's Office BR	SK	<1.0	-	-	None	-	-
Custodian's BR	SK	<1.0	-	-	None	-	-
CC in Custodial Area	SS	1.5	-	-	None	-	-
Custodial Break Room	SK	1.4	-	-	None	-	-
Kitchen BR @ (A)	SK	2.8	-	-	None	-	-
Kitchen BR @ (B)	SK	1.6	-	-	None	-	-
Kitchen Prep @ (B)	SK	4	-	-	None	-	-
Kitchen Pot Filler 1	SK	14	-	-	None	-	-
Kitchen Island	SK	14	-	-	None	-	-
Kitchen Handwash @ (A)	SK	22	5.6	4	FR	SIGN	
Kitchen Sanitizer @ (A)	SK	8.1	-	-	None	-	-
Kitchen Sanitizer @ (B)	SK	3.8	-	-	None	-	-
Kitchen Sanitizer	SPRAY	<1.0	-	-	None	-	-

Lead in Drinking Water Test Results

As of 10/3/18

Sample Location	Fixture Type	1 st Draw Results (ppb)	15 Second Draw Results (ppb)	60 Second Draw Results (ppb)	Remedial Recommendation	Remedial Response	Post Remediation Test Results (ppb)
Kitchen Sanitizer @ (C)	SK	186	6.7	1.5	FR	SIGN	
Kitchen Sanitizer @ (D)	SK	7.3	-	-	None	-	-
Kitchen Handwash @ (B) by Pot Filler 2	SK	<1.0	-	-	None	-	-
Kitchen Pot Filler 2 by ovens	SK	6.7	-	-	None	-	-
Kitchen Dishwasher Room @ (A)	SK	<1.0	-	-	None	-	-
Kitchen Dishwasher Room @ (B)	SK	53	12	2.8	FR	SIGN	
Kitchen Serving Line Handwash	SK	<1.0	-	-	None	-	-
Kitchen Serving Line by Cafeteria	SK	4.2	-	-	None	-	-
Room 121	SK	4.4	-	-	None	-	-
Boy's Dugout @ (A)	SK	3.8	-	-	None	-	-
Boy's Dugout @ (B)	SK	2.8	-	-	None	-	-
CC in Boy's Dugout	SS	15	-	-	None	-	-
Girl's Dugout @ (A)	SK	9.4	-	-	None	-	-
CC in Girl's Dugout	SS	12	-	-	None	-	-
Room L10 @ (A)	SK	<1.0	-	-	None	-	-
Room L10 @ (B)	SK	1.1	-	-	None	-	-
Room L10 @ (C)	SK	<1.0	-	-	None	-	-
Room L10 @ (D)	SK	<1.0	-	-	None	-	-
Men's BR in Lower Hall	SK	<1.0	-	-	None	-	-
Women's BR in Lower Hall	SK	4.2	-	-	None	-	-
CC in Lower Hall	SS	<1.0	-	-	None	-	-
Room L30 Teacher's Station	SK	8.5	-	-	None	-	-
Room L30 Counter 1 @ (A)	SK	8	-	-	None	-	-
Room L30 Counter 1 @ (B)	SK	12	-	-	None	-	-

Lead in Drinking Water Test Results

As of 10/3/18

Sample Location	Fixture Type	1 st Draw Results (ppb)	15 Second Draw Results (ppb)	60 Second Draw Results (ppb)	Remedial Recommendation	Remedial Response	Post Remediation Test Results (ppb)
Room L30 Counter 1 @ (C)	SK	5.1	-	-	None	-	-
Room L30 Counter 2 @ (A)	SK	14	-	-	None	-	-
Room L30 Counter 2 @ (B)	SK	8.2	-	-	None	-	-
Room L40	SK	16	1.8	1.5	FR	SIGN	
Room L60	SK	<1.0	-	-	None	-	-
Women's BR in English Hall	SK	1.6	-	-	None	-	-
Men's BR in English Hall	SK	1.1	-	-	None	-	-
Boy's BR in English Hall @ (A)	SK	14	-	-	None	-	-
Boy's BR in English Hall @ (B)	SK	10	-	-	None	-	-
Boy's BR in English Hall @ (C)	SK	12	-	-	None	-	-
CC in English Hall	SS	<1.0	-	-	None	-	-
Girl's BR in English Hall @ (A)	SK	7.1	-	-	None	-	-
Girl's BR in English Hall @ (B)	SK	1.7	-	-	None	-	-
Girl's BR in English Hall @ (C)	SK	16	5.6	4.7	FR	SIGN	
CC in Math Hall	SS	1.4	-	-	None	-	-
Room 200D	SK	<1.0	-	-	None	-	-
Room 200A @ (A)	SK	6.5	-	-	None	-	-
Room 200A @ (B)	SK	21	18	3.1	FRSLV	SIGN	
Room 200A @ (C)	SK	33	20	2.5	FRSLV	SIGN	
Boy's BR in Social Studies Hall @ (B)	SK	3.8	-	-	None	-	-
Boy's BR in Social Studies Hall @ (C)	SK	2.9	-	-	None	-	-
Boy's BR in Social Studies Hall @ (D)	SK	3.6	-	-	None	-	-
Boy's BR in Social Studies Hall @ (F)	SK	11	-	-	None	-	-
Girl's BR in Social Studies Hall @ (A)	SK	<1.0	-	-	None	-	-

Lead in Drinking Water Test Results

As of 10/3/18

Sample Location	Fixture Type	1 st Draw Results (ppb)	15 Second Draw Results (ppb)	60 Second Draw Results (ppb)	Remedial Recommendation	Remedial Response	Post Remediation Test Results (ppb)
Girl's BR in Social Studies Hall @ (B)	SK	4.2	-	-	None	-	-
Girl's BR in Social Studies Hall @ (C)	SK	5.6	-	-	None	-	-
Girl's BR in Social Studies Hall @ (D)	SK	5.2	-	-	None	-	-
Girl's BR in Social Studies Hall @ (E)	SK	10	-	-	None	-	-
Girl's BR in Social Studies Hall @ (F)	SK	6.6	-	-	None	-	-
Auditorium Fan House	SS	48	9.7	1.9	FR	SIGN	
Women's Faculty BR in Social Studies Hall @ (A)	SK	3.3	-	-	None	-	-
Women's Faculty BR in social Studies Hall @ (B)	SK	11	-	-	None	-	-
Men's Faculty BR in Social Studies Hall	SK	2.7	-	-	None	-	-
Green House	SK	5.4	-	-	None	-	-
Green House	SP	4.4	-	-	None	-	-
Green House Courtyard	SP	5.6	-	-	None	-	-
Snack Room	SK	1	-	-	None	-	-
Snack Room Storage	SK	1193			FR	CAP	

Code Key

Remediation Type Codes

FR	=	Fixture replacement
FRSLV	=	Replacement of fixture, supply lines, and valves
FRSLVPA	=	Replacement of fixture, supply lines, valves and plumbing assessment
SIGN	=	Warning sign posting
CAP	=	Remove fixture or cap line

Room ID Codes

CC	=	Custodian Closet
MPR	=	Multi Purpose Room
Café	=	Cafeteria
Sci	=	Science Lab
PE	=	Physical Ed
BR	=	Bathroom
LR	=	Locker Room
RM	=	Room

Fixture Type Codes

WF	=	Water Fountain
SK	=	Sink
SS	=	Slop Sink
SP	=	Spigot
PF	=	Pot Filler
HB	=	Hose Bib
IM	=	Ice Machine
WC	=	Water Cooler
SH	=	Shower
SL	=	Supply Line

Result Code

ND	=	Not Detected
<	=	Less Than
-	=	No Testing Required
#	=	When seen in the Post Remediation Test Results: after numerous failing tests, the Hashtag is used to show a passing result



Lead in Drinking Water Test Results

As of 10/3/18

Sample Location	Fixture Type	1 st Draw Results (ppb)	15 Second Draw Results (ppb)	60 Second Draw Results (ppb)	Remedial Recommendation	Remedial Response	Post Remediation Test Results (ppb)
WF by Auditorium	WF	<1.0	-	-	None	-	-
RM 130	SK	9.9	-	-	None	-	-
WF by RM 119	WF	<1.0	-	-	None	-	-
WF by RM 156	WF	1	-	-	None	-	-
Kitchen Prep @ (A) - SPACE NO LONGER EXISTS	SK	451	15	5.8	FR	CAP	
WF by RM 211A	WF	1.1	-	-	None	-	-
WF by RM 204	WF	<1.0	-	-	None	-	-
WF by RM 321	WF	<1.0	-	-	None	-	-
RM 320	SK	12	-	-	None	-	-
WF by RM 303	WF	1.2	-	-	None	-	-
Kitchen BR - SPACE NO LONGER EXISTS	SK	29	2.8	<1.0	FR	CAP	-
IMC BR in Old Gym	SK	11	-	-	None	-	-
IMC BR in Hall-Left	SK	13	-	-	None	-	-
IMC BR in Hall-Right	SK	9	-	-	None	-	-
IMC CC	SS	14	-	-	None	-	-
Upper LR BR	SK	10	-	-	None	-	-
Upper LR Office	SK	21	2.1	<1.0	FR	SIGN	-
Lower LR BR @ (A)	SK	36	1.8	<1.0	FR	SIGN	-
Lower LR BR @ (B)	SK	48	6.3	<1.0	FR	SIGN	-
Basement Utility	SK	<1.0	-	-	None	-	-
Kitchen Prep @ (B) - SPACE NO LONGER EXISTS	SK	90	9.4	11	FR	CAP	

Lead in Drinking Water Test Results

As of 10/3/18

Sample Location	Fixture Type	1 st Draw Results (ppb)	15 Second Draw Results (ppb)	60 Second Draw Results (ppb)	Remedial Recommendation	Remedial Response	Post Remediation Test Results (ppb)
New Concession Stand by Henck Field (Cold Water)	SP	189	43	12	FRSLV	SIGN	
New Concession Stand by Henck Field (Hot Water)	SP	107	34	51	FRSLVPA	SIGN	
Concession Stand Hand Sink	SK	3.1	-	-	None	-	-
Concession Stand Left Faucet	SK	69	<1.0	<1.0	FR	Completed FR	3.7
Concession Stand Right Faucet	SK	36	<1.0	<1.0	FR	Completed FR	3.3
Mens Public BR #1	SK	1.1	-	-	None	-	-
Mens Public BR #2	SK	1.2	-	-	None	-	-
Mens Public BR #3	SK	2	-	-	None	-	-
Custodial Closet SK	SS	6.3	-	-	None	-	-
Womens Public BR #1	SK	8.3	-	-	None	-	-
Womens Public BR #2	SK	6	-	-	None	-	-
Womens Public BR #3	SK	3.4	-	-	None	-	-
Custodial Closet by Concessions SK	SS	40	16	2.6	FRSLV	Completed FRSLV	14
West Team RM	SK	1.6	-	-	None	-	-
West Team RM	SP	175	5.7	4.5	FR	Completed FR	<1.0
East Team RM	SK	1.2	-	-	None	-	-
East Team RM	SP	143	47	7.8	FRSLV	Completed FRSLV	8.5
Upper Locker RM	SP	4	-	-	None	-	-
Outside	SP	2.7	-	-	None	-	-
Outside [New Fixture] (12/7/2017)	SP	34			FR	Completed FR	6.62

Code Key

Remediation Type Codes

FR	=	Fixture replacement
FRSLV	=	Replacement of fixture, supply lines, and valves
FRSLVPA	=	Replacement of fixture, supply lines, valves and plumbing assessment
SIGN	=	Warning sign posting
CAP	=	Remove fixture or cap line

Room ID Codes

CC	=	Custodian Closet
MPR	=	Multi Purpose Room
Café	=	Cafeteria
Sci	=	Science Lab
PE	=	Physical Ed
BR	=	Bathroom
LR	=	Locker Room
RM	=	Room

Fixture Type Codes

WF	=	Water Fountain
SK	=	Sink
SS	=	Slop Sink
SP	=	Spigot
PF	=	Pot Filler
HB	=	Hose Bib
IM	=	Ice Machine
WC	=	Water Cooler
SH	=	Shower
SL	=	Supply Line

Result Code

ND	=	Not Detected
<	=	Less Than
-	=	No Testing Required
#	=	When seen in the Post Remediation Test Results: after numerous failing tests, the Hashtag is used to show a passing result



Lead in Drinking Water Test Results

As of 10/3/18

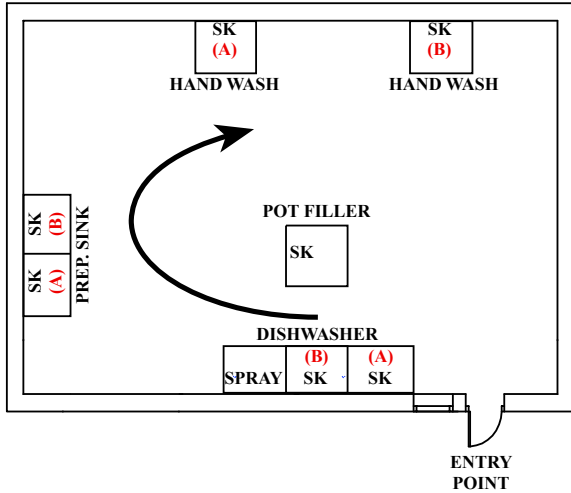
Sample Location	Fixture Type	1 st Draw Results (ppb)	15 Second Draw Results (ppb)	60 Second Draw Results (ppb)	Remedial Recommendation	Remedial Response	Post Remediation Test Results (ppb)
1st Floor Kitchen	SK	<2.5	-	-	None	-	-
Basement Kitchen Conference Room	SK	232	<1.0	<1.0	FR	SIGN	31 (7/28/2016)
Men's Main BR @ (A)	SK	<2.5	-	-	None	-	-
Men's Main BR @ (B)	SK	<2.5	-	-	None	-	-
Women's Main BR @ (A)	SK	4	-	-	None	-	-
Women's Main BR @ (B)	SK	<2.5	-	-	None	-	-
Superintendant's Office BR	SK	5.8	-	-	None	-	-
Lower Level Men's BR	SK	3.6	-	-	None	-	-
Lower Level Women's BR	SK	<2.5	-	-	None	-	-
Print Shop Kitchen	SK	140	2.9	1.6	FR	SIGN	-
1st Floor Kitchen [New Fixture] (4/26/2018)	SK	2.77	-	-	None	-	-
1st Floor Kitchen (Insta Hot)	SK	2.82	-	-	None	-	-
1st Floor Kitchen (Refrigerator)	SP	<1.0	-	-	None	-	-

Lead in Drinking Water Test Results

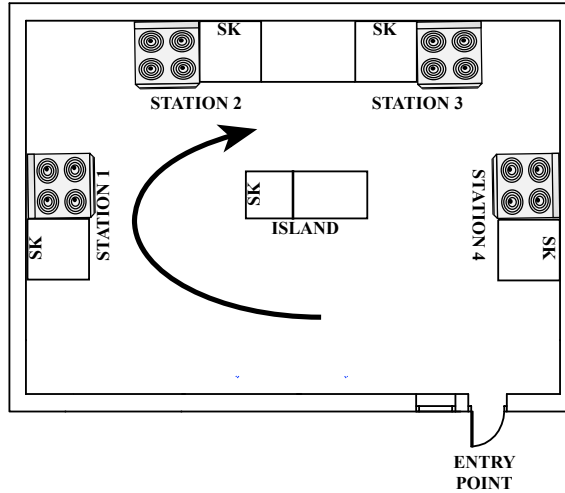
As of 10/3/18

Sample Location	Fixture Type	1 st Draw Results (ppb)	15 Second Draw Results (ppb)	60 Second Draw Results (ppb)	Remedial Recommendation	Remedial Response	Post Remediation Test Results (ppb)
Kitchenette	SK	<2.5	-	-	None	-	-
Women's BR	SK	<2.5	-	-	None	-	-
Men's BR	SK	<2.5	-	-	None	-	-
Garage @ (A)	WF	<2.5	-	-	None	-	-
Garage @ (B)	WF	3.6	-	-	None	-	-
Garage	SS	6.9	-	-	None	-	-

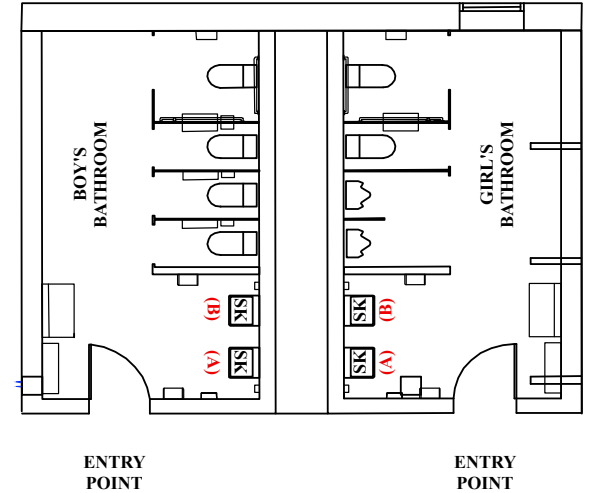
**KITCHEN
DIAGRAM**



**HOME ECONOMICS / CAREER
DIAGRAM**



**GANG BATHROOM
DIAGRAM**



SAMPLE IDENTIFICATION (example)

LOCATION	SOURCE
Kitchen Dishwash Station @ (A)	SK
Kitchen Dishwash Station @ (B)	SK
Kitchen Dishwasher	SPRAY
Prep. Sink @ (A)	SK
Prep. Sink @ (B)	SK
Kitchen Hand Wash @ (A)	SK
Kitchen Hand Wash @ (B)	SK
Kitchen Pot Filler	SK

SAMPLE IDENTIFICATION (example)

LOCATION	SOURCE
Carrier RM - Station 1	SK
Carrier RM - Station 2	SK
Carrier RM - Station 3	SK
Carrier RM - Station 4	SK
Carrier RM - Island	SK

SAMPLE IDENTIFICATION (example)

LOCATION	SOURCE
Girl's BR @ (A)	SK
Girl's BR @ (B)	SK
Boy's BR @ (A)	SK
Boy's BR @ (B)	SK



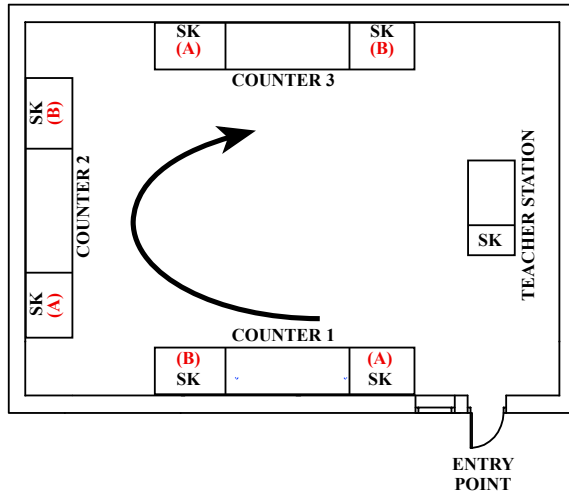
ENVIROSCIENCE
CONSULTANTS, INC.
2150 SMITHTOWN AVENUE
RONKONKOMA, NY 11779
(631) 580-3191
FAX 580-3195
www.envirohealth.org

KEY PLAN
NO SCALE

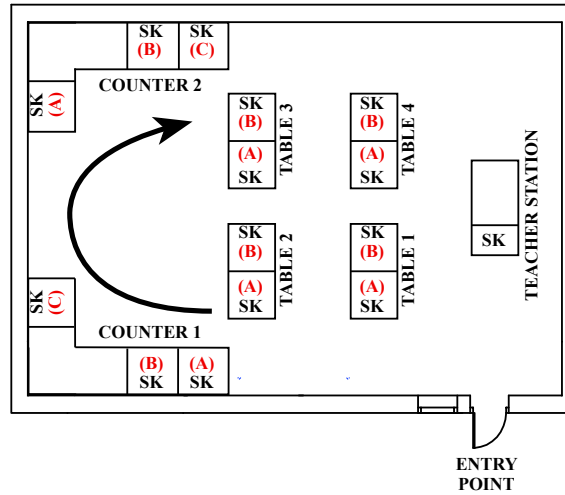
WATER SAMPLING METHODOLOGY

NOT TO SCALE
Date: 9/26/2016
By: Robert Cardona

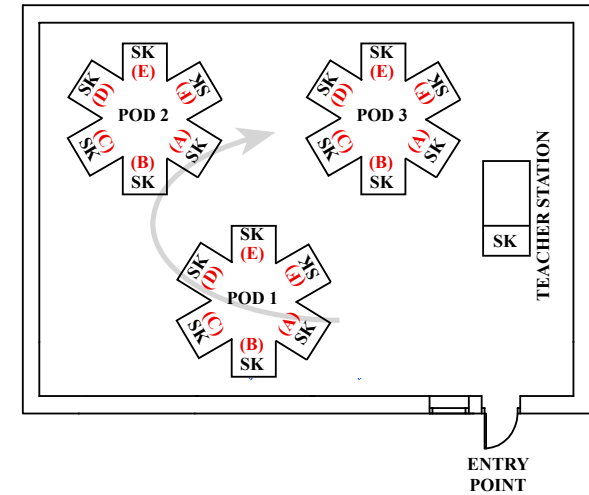
**SCIENCE ROOM TYPE 1
DIAGRAM**



**SCIENCE ROOM TYPE 2
DIAGRAM**



**SCIENCE ROOM TYPE 3
DIAGRAM**



SAMPLE IDENTIFICATION (example)

LOCATION	SOURCE
Room 200 - Teacher Station	SK
Room 200 - Counter 1 @ (A)	SK
Room 200 - Counter 1 @ (B)	SK
Room 200 - Counter 2 @ (A)	SK
Room 200 - Counter 2 @ (B)	SK
Room 200 - Counter 3 @ (A)	SK
Room 200 - Counter 3 @ (B)	SK

SAMPLE IDENTIFICATION (example)

LOCATION	SOURCE
Room 200 - Teacher Station	SK
Room 200 - Table 1 @ (A)	SK
Room 200 - Table 1 @ (B)	SK
Room 200 - Table 2 @ (A)	SK
Room 200 - Table 2 @ (B)	SK
Room 200 - Table 3 @ (A)	SK
Room 200 - Table 3 @ (B)	SK
Room 200 - Table 4 @ (A)	SK
Room 200 - Table 4 @ (B)	SK
Room 200 - Counter 1 @ (A)	SK
Room 200 - Counter 1 @ (B)	SK
Room 200 - Counter 1 @ (C)	SK
Room 200 - Counter 2 @ (A)	SK
Room 200 - Counter 2 @ (B)	SK
Room 200 - Counter 2 @ (C)	SK

SAMPLE IDENTIFICATION (example)

LOCATION	SOURCE
Room 200 - Teacher Station	SK
Room 200 - POD 1 @ (A)	SK
Room 200 - POD 1 @ (B)	SK
Room 200 - POD 1 @ (C)	SK
Room 200 - POD 1 @ (D)	SK
Room 200 - POD 1 @ (E)	SK
Room 200 - POD 1 @ (F)	SK
Room 200 - POD 2 @ (A)	SK
Room 200 - POD 2 @ (B)	SK
Room 200 - POD 2 @ (C)	SK
Room 200 - POD 2 @ (D)	SK
Room 200 - POD 2 @ (E)	SK
Room 200 - POD 2 @ (F)	SK
Room 200 - POD 3 @ (A)	SK
Room 200 - POD 3 @ (B)	SK
Room 200 - POD 3 @ (C)	SK
Room 200 - POD 3 @ (D)	SK
Room 200 - POD 3 @ (E)	SK
Room 200 - POD 3 @ (F)	SK



ENVIROSCIENCE
CONSULTANTS, INC
2150 SMITHTOWN AVENUE
RONKONKOMA, NY 11779
(631) 580-3191
FAX 580-3195
www.envirohealth.org

KEY PLAN
NO SCALE

WATER SAMPLING METHODOLOGY

NOT TO SCALE

Date: 9/26/2016

By: Robert Cardona

DRAWING 2 of 2