



LIBERTY PUBLIC SCHOOL DISTRICT
801 Kent St, Liberty, Missouri 64068 Telephone 816-736-5358

ADDENDUM #2

BID NUMBER: ITB 006-024, TITLE: LIFT STATION PUMP REPLACEMENT

December 18, 2023

RE: Addendum #2

This Addendum #2 has been issued to address questions received at the pre-bid meeting.

Q.1: Do we have dimensions of wet pit?

A: Only what is shown on the attached PDF files, but these do not match what was actually installed. Please field verify dimensions.

Q.2: Do we have elevations for any of the incoming/discharge pipe/wet pit bottom?

A: See attached PDF files, of the only existing drawings we have.

Q.3: Are there any original Plans?

A: See attached PDF files.

Q.4: Are we to use PVC or Ductile Iron Pipe?

A: Refer to the specification which calls for steel pipe.

Q.5: Is there an original As Built Schedule?

A: See attached drawings – but these do not match what was actually installed. Please field verify.

Q.6: How do we get rails into the wet pit? Are we cutting a new hatch in the top concrete cover?

A: If the new rails cannot fit into the new pit, then a new opening will need to be cut.

If you have any questions regarding this Addendum #1, or future Addendum's, please reach out to either myself at jason.breit@lps53.org or 816-736-5358, or Justin Presson at justin.presson@lps53.org or 816-736-5448.

Thank you,

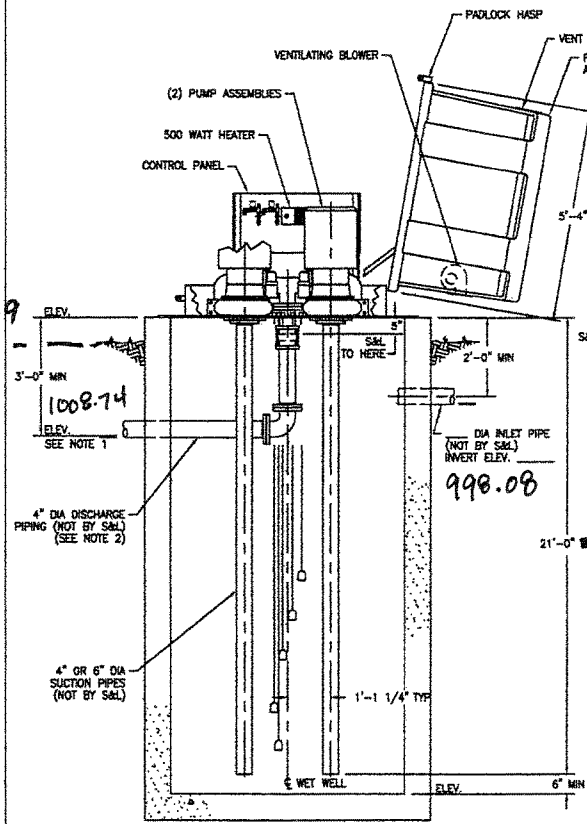
Jason Breit
Director of Purchasing and Distribution
Liberty Public School District 53
801 Kent St | Liberty, MO | 64068
jason.breit@lps53.org | 816.736.5358

WET WELL DIAMETER	DIM A	DIM B	DIM C	DIM D	DIM E	DIM F	DIM G	DIM H	DIM J	DIM K	DIM L
4'-0"	4"	1'-3 13/16"	2'-9"	5'-8"	2'-1 7/8"	2'-6 3/8"	1'-2 1/2"	2'-9 1/2"	3'-7 1/2"	9 1/2"	1'-9 3/8"
5'-0"	8"	1'-7 13/16"	2'-10"	5'-8"	2'-7 3/8"	2'-11 7/8"	1'-8"	3'-4"	3'-11 1/2"	10"	2'-2 7/8"
6'-0"	2"	1'-1 13/16"	3'-4"	6'-8"	2'-1 3/8"	2'-5 7/8"	1'-8"	3'-10"	3'-5 1/2"	10"	1'-8 7/8"

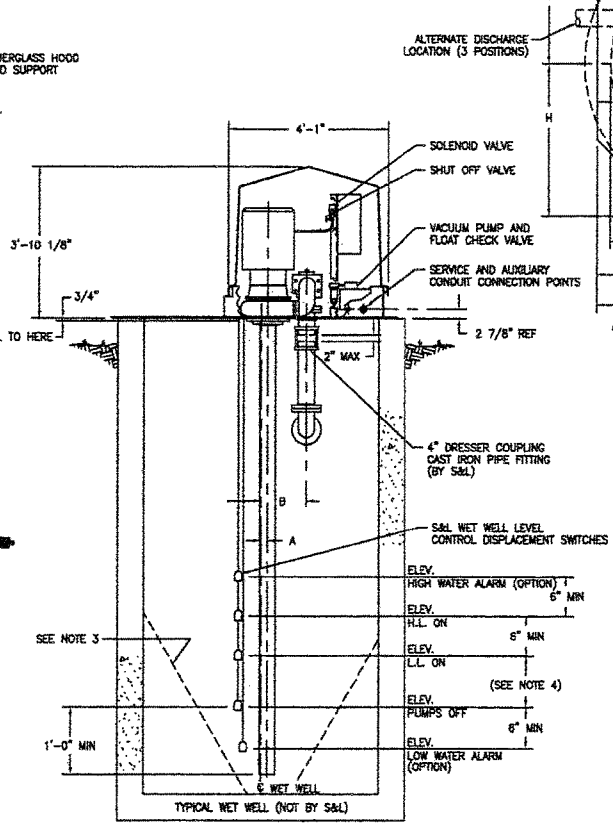
GRADE
1017.69

8

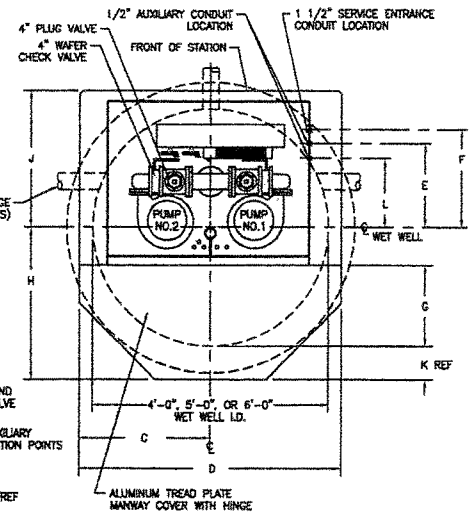
151004-8



SECTIONAL ELEVATION



CROSS SECTION



PLAN VIEW
(SHOWN LESS HOOD)

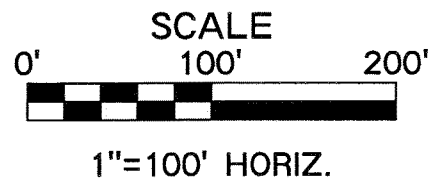
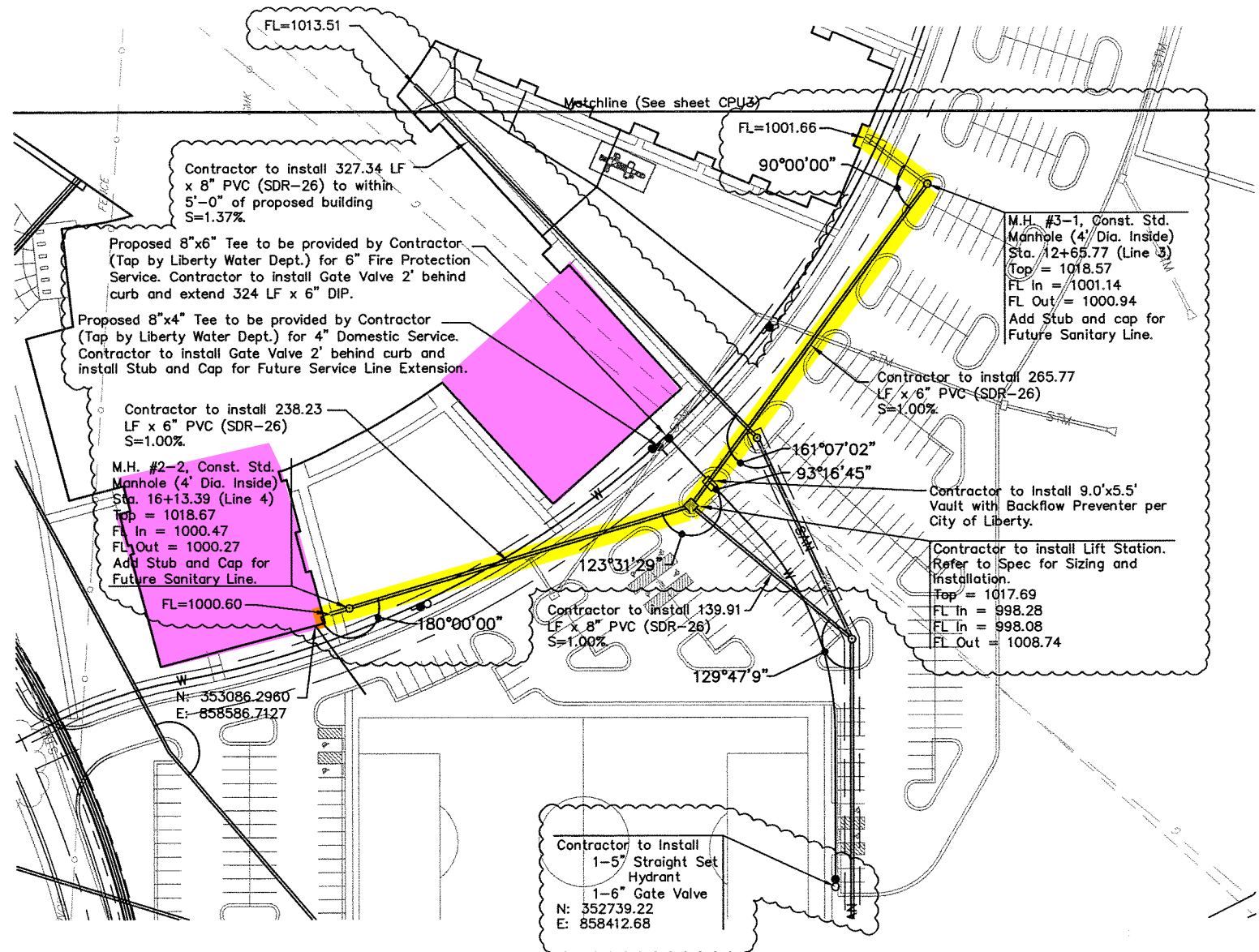
NOTES

- IF END OF DISCHARGE LINE IS BELOW ELEVATION OF DISCHARGE LINE AT POINT OF LEAVING WET WELL A PRIMING LOCK LOOP MAY BE REQUIRED. CONSULT FACTORY.
- IF DISCHARGE LINE IS LESS THAN 200 FEET IN LENGTH, AN ADDITIONAL CHECK VALVE OR PRIMING LOCK LOOP MAY BE REQUIRED - CONSULT FACTORY.
- PROVIDE 60' SLOPE IN WET WELL, AS REQUIRED.
- VOLUME IN GALLONS BETWEEN L.L. ON AND L.L. OFF SHOULD BE EQUAL TO OR GREATER THAN THE PUMPING RATE IN GPM.
- MAXIMUM CAPACITY - 400 GPM.
- COPYRIGHT (c) 1994, 98, 2001, 02 SMITH & LOVELESS INC. 87C405/D

REV	DATE	BY	CHKD	APP'D	DESCRIPTION
D	11/1/1994	ALEX	DF		WET WELL MOUNTED PUMP STATION MODEL S 4" PIPING
C	11/1/1994	DF			482B/482D/482X/4C2B/4C2D/4C2X PUMPS
B	11/1/1994	SBM			SIZE U/M EA WT.
A	11/1/1994	NTS			SCALE 1"=24.000

DESIGNED BY	DATE	ALLOWABLE TOLERANCES	FOR
DRAWN BY	11/1/1994		
CHECKED BY	DATE	FRACTIONS	
APPROVED BY	DATE	DECIMALS	
SCALE	ANGLES		
LEG	DATE		
ORIGINAL ISSUE	NS4-30	© Smith & Loveless, Inc. 1994, 98, 2001, 02	REV D

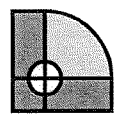
Location: R:\Engineering\Liberty High School 104th St - 07147\Drafting\Site Plans 36x24\Private Utilities\UTL2 - 07147.dwg



CPU4 REVISION - ADDENDUM 2

LIBERTY SECOND HIGH SCHOOL

Frangiser Hutchens
 ARCHITECTS PLANNERS INTERIOR DESIGNERS
 1177 LAMB CREEK RD. 1ST FLOOR
 ST. LOUIS, MO 63107
 (314) 241-2000



LUTJEN

8350 N. Saint Clair Ave.
 Kansas City, MO 64151
 816.587.4320
 816.587.1393 fax
 www.lutjen.com

surveying
 planning
 engineering
 landscape architecture

Sheet No.:
XC-2