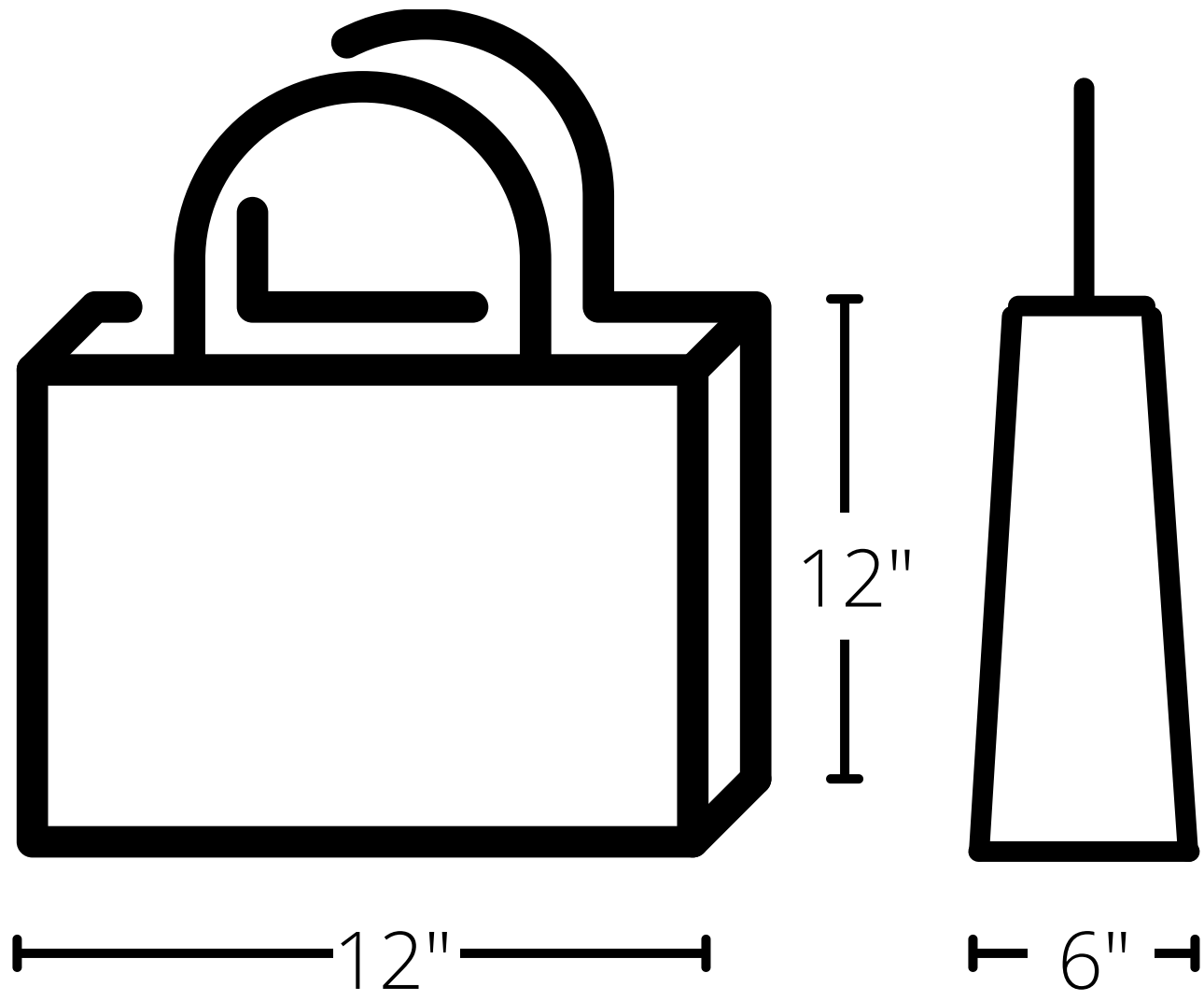


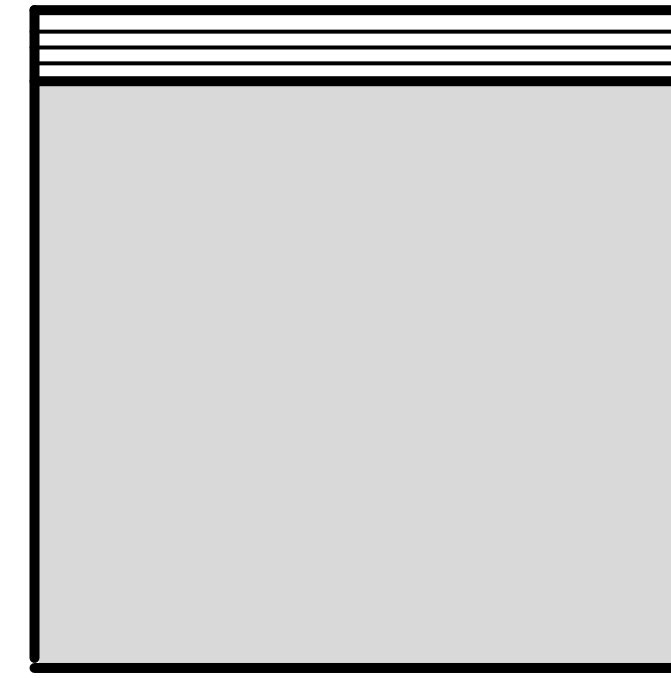
Let's Be Clear

To enhance public safety and expedite entry, York School District One implemented a Clear Bag Policy for all after-school athletics and performing arts. Visitors may bring in one (1) clear bag no larger than 12" x 6" x 12" or a 1-gallon plastic storage bag, along with a small clutch or purse for privacy.



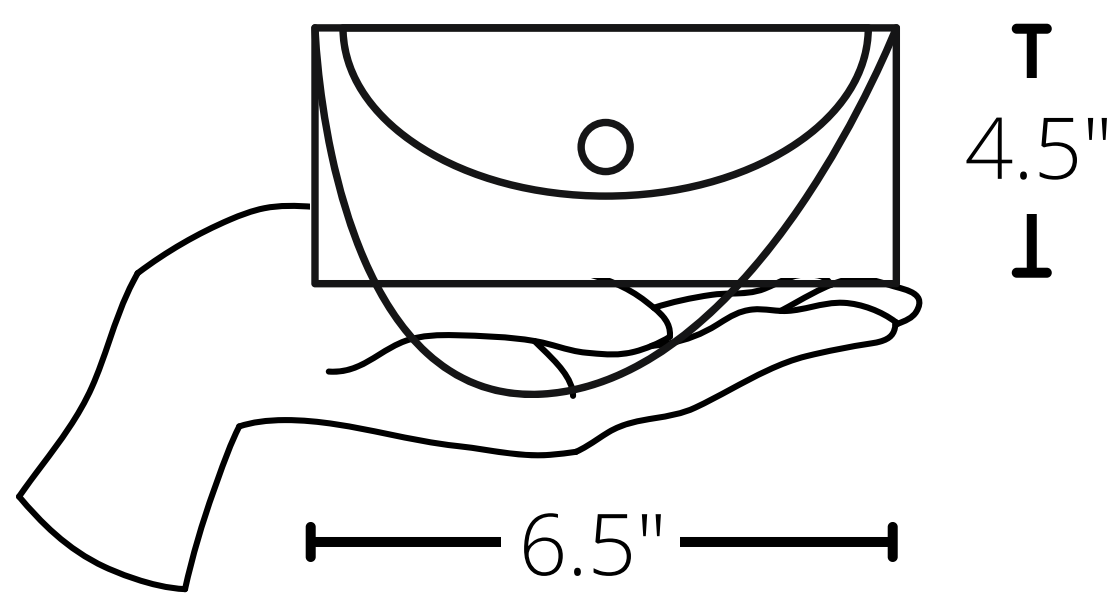
CLEAR BAG

No larger than
12" x 6" x 12"



PLASTIC STORAGE BAG

1-Gallon
resealable, clear



SMALL CLUTCH BAG

No larger than
4.5" x 6.5"



SEAT CUSHION & SEAT CUSHION WITH BACK

Subject to inspection

Examples of Prohibited Bags



Purse



Backpack



Patterned Plastic Bag



Solid Color String Cinch Bag



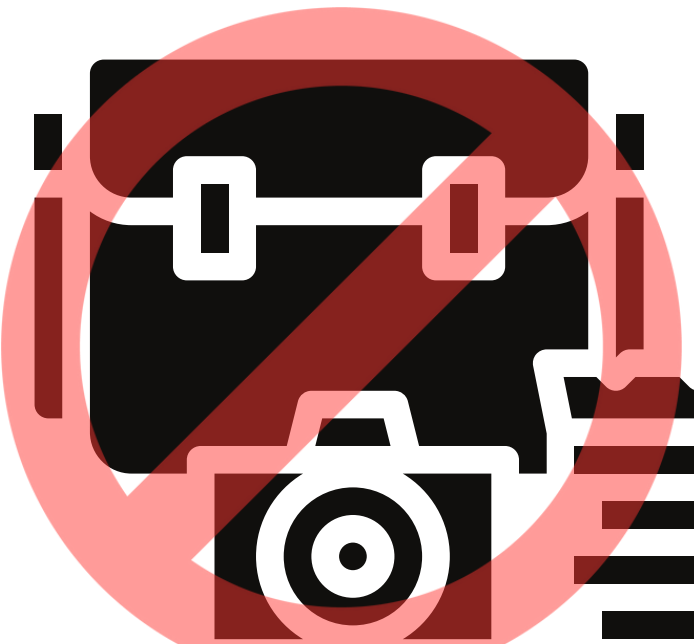
Large Tote Bag



Mesh or Straw Bag



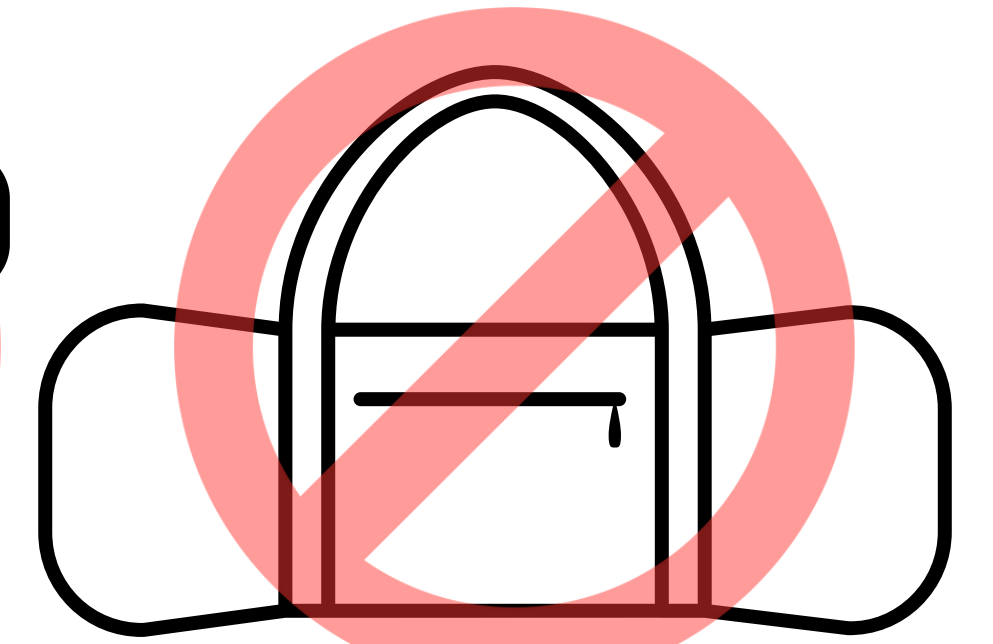
Reusable Grocery Tote



Camera or Binoculars Bag



Large Fanny Pack



Duffle Bag

Exceptions to the Clear Bag Policy will be made for credentialed media and those with necessary medical items after proper inspection at designated areas.

Additional details are at www.york.k12.sc.us/clearbag.