



This guide is to provide Mustang Public Schools parents and students with enrollment and course information for the 2023-2024 school year.

Enrollment Options for Middle School students

- 1. Traditional / in person (default enrollment model for students)-** is the face to face model that most students participate in. In the traditional model students attend school all day face to face with their classroom teachers and peers. Students will be issued a device (chromebook) to use in classes and to take home each evening.
- 2. Virtual (option for students that qualify) -** Mustang Virtual Academy (MVA) will complete all coursework through an online platform called Edgenuity (w/Canvas), and must provide their own connectivity. The student can use their own device or a device can be checked out through the school if available. A Virtual Learning Program means the student takes all of his/her courses in a virtual setting away from the school. All work will be completed 100% off campus. A certified teacher directs the instruction. Assistance will be available for students upon request. The Virtual Learning option is a minimum of a one semester commitment. MVA will require support from adults at home and within the online classroom environment. Activities are designed to ensure that students continue learning at the pace of the current MPS scope and sequence as well as continue to develop a love of learning and gain appropriate academic and social-emotional skills. Through a well-developed Virtual Academy, students will continue to meet their goal of being future ready. We will ensure open lines of communication between teachers, students and parents. The success of this option is HIGHLY PREDICATED on your student's ability to be internally motivated. Edgenuity tracks the amount of productive time spent by your student. If your student will struggle (on their own) to log on and spend significant time being productive each day, this option will likely not be successful for your student. The student will need to come on campus to participate in State mandated assessments (OSTP) in the late Spring and for the STAR assessment three times per year.



Course enrollment information

All 7th and 8th grade students will take

Core courses

- Students enroll in the four content areas and all the courses are full year long courses.
 - ELA (2 classes)
 - Math (1 class)
 - Science (1 class)
 - Social Studies (1 class)
- **Accelerated Placement Enrollment Information**
 - Accelerated courses are academically advanced courses designed to challenge motivated students to understand rigorous content.
 - The coursework requires students to engage in independent and analytical assignments and to complete a substantial amount of work outside of class.
 - Accelerated middle school courses are designed to prepare students for high school Accelerated and AP courses. AP courses are college-level courses taught in a high school setting.
 - Students who experience success in Accelerated courses typically exhibit the following personal and academic characteristics:
 - Reading on or above grade level
 - Strong study skills and self-motivation
 - Proficient oral and written communication skills
 - Self-discipline to plan, organize, and carry out tasks to completion
 - Interest and self-directedness in a particular subject
 - Students are not expected to enroll in Accelerated courses in all core subject areas. Students are encouraged to take Accelerated courses that are appropriate to their interests and academic strengths. The number of Accelerated courses varies with students' motivation, self-discipline, and available time outside of class.

Elective courses

- Students enroll in electives for 2 class periods. Most electives are one 9-weeks long, but a few are semester (=two 9-weeks) or year long (=four 9-weeks) classes. The combination chosen will total eight 9-weeks.
 - Examples:
 - Student A takes band (year long) & year long choir. No other electives needed because all elective requirements are met.
 - Student B takes band (year long), semester choir, and two 9-weeks electives.
 - Student C takes eight 9-weeks classes.
 - Student D takes semester choir and six 9-weeks classes.



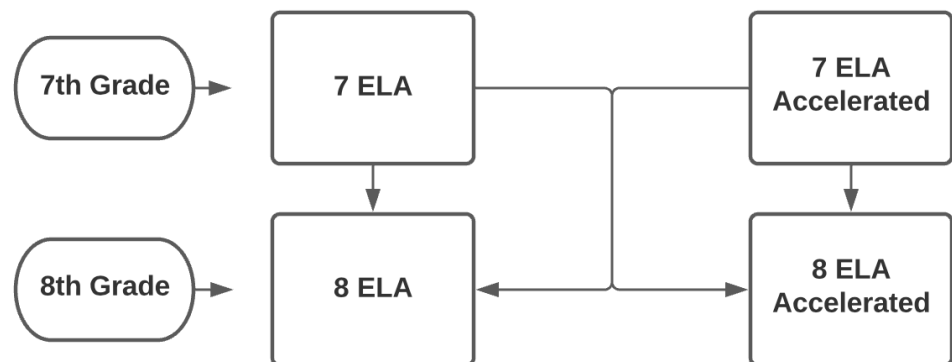
Middle School Course Description Guide 23-24

- For Classes Requiring a Selection Process
 - These classes do not appear on the enrollment forms. Auditions/applications for these classes take place later in the spring prior to next school year. If selected, some of the students' original elective choices are replaced by the class(es) he/she is selected for.
 - Classes this applies to:
 - Play Production
 - Competitive Robotics
 - W.E.B.
 - Honor/Jazz Choirs
 - Additional elective course information
 - Students not demonstrating proficiency in ELA and Math will have one or more 9-weeks elective classes replaced by a Skill Building Class to help the student further develop necessary critical academic skills.
 - If you enroll in Choir, choose the year-long OR semester-long class, you cannot choose both.
 - As a 7th grader, if you choose to enroll in both Band and Choir, you must choose the semester-long Choir class due to required 7th grade elective classes that must be taken.
 - As an 8th grader, you can choose to take both Band and year-long Choir.
 - Quarter-long classes do not need to be chosen if a student's electives are fulfilled with Band and/or choir classes. Only Alternative Electives would need to be chosen.
 - When choosing ALTERNATE ELECTIVES, make course selections that ARE DIFFERENT than your top choices.

CORE CLASS INFORMATION

ELA

(English Language Arts)



7 ELA: Reading will focus on literature and informational text. Students will learn to break down complex texts while gaining the ability to understand the author's purpose, point of view, and how they organize a text. Finally, students learn to evaluate how two or more authors interpret and present information in similar and different ways.



Middle School
Course Description Guide 23-24

Students will be taught to write to inform, compose narratives, and present arguments by making claims and supporting them with relevant information. In addition, students are introduced to conducting basic research and proper methods of summarizing and paraphrasing. These writing skills are paired with students developing the ability throughout the year to write for short and extended tasks for various purposes. Writing is expected to be clear, coherent, in some cases collaborative, and, when appropriate, composed using technology.

Students will consistently participate in collaborative discussions. Students will be taught to present their knowledge and ideas both verbally and through multimedia presentations while adapting those presentations for a variety of audiences.

Grade: 7 *Length of course: year* *Prerequisite: No*

8 ELA: Reading will continue to focus on a variety of literature and informational texts. Students will engage with more complex texts, which will help to expand upon their already strong ability to break down challenging readings. Students will gain information from various sources to help them draw conclusions and make inferences about the texts they are reading.

Students will be taught to write to inform, compose narratives, and present arguments. The course seeks to expand upon ways students make strong claims with relevant support while raising academic rigor. Coherent writing becomes a clear focus as students prepare for high school coursework. More thorough research is conducted, again focusing on summarizing and paraphrasing skills. Students are further taught to use technology as an avenue to conduct research, as well as create short and extended content-specific writing tasks.

Speaking and listening is a key focus. Students will attain the ability to not only present their ideas but to consciously listen to and reflect upon the thoughts and presentations of others.

Grade: 8 *Length of course: year* *Prerequisite: No*

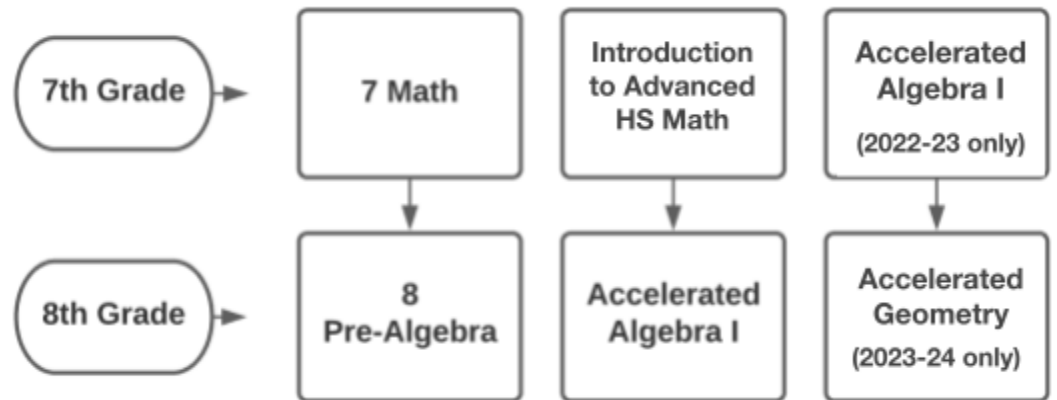
Accelerated ELA: Accelerated courses in 7th and 8th grades are intended to be a transition for students to AP courses in high school. Students will receive a more intensive course of study through all elements of language arts, while further focusing on the expansion of creativity. While taking this course does not mean more work during the school year, it does require more dedication from students as teachers seek to implement higher-level thinking. Furthermore, teachers will develop meticulous coursework appropriately challenging gifted learners.

Grade: 7 *Length of course: Year* *Prerequisite: No*

Grade: 8 *Length of course: Year* *Prerequisite: No*



Math



7 Math: The 7th-grade curriculum places a significant focus on the idea of proportionality and how it relates to rational numbers, rates of change, geometric shapes, and probability—discovering algebraic formulas for 2D and 3D shapes and developing procedures for solving equations and inequalities by making and testing conjectures aides students in making sense of how mathematics applies to real life. Building operational fluency of integers and rational numbers allows students to ensure reasonableness of solutions when using technological tools like calculators. An emphasis on designing experiments, collecting data, and making predictions for concepts such as measures of central tendency, scale representations, and probability becomes apparent in 7th grade. Data represented algebraically, graphically, numerically, and verbally is assessed for functionality, usefulness, and efficiency by students.

Grade: 7

Length of course: year

Prerequisite: No

7 Introduction to Advanced HS Math: Accelerated math students entering 7th grade will take Introduction to Advanced High School Mathematics. Given the landscape of the previous three years, students have experienced some disruptions to learning that have created gaps in understanding mathematical concepts and problem-solving. In response, students will take this accelerated math course incorporating elements of multiple years of mathematical curriculum to ensure that students are fully prepared with a deep and flexible understanding of the math concepts that will equal success in Algebra I.

Grade: 7

Length of course: year

Prerequisite: must qualify

8 Pre-Algebra: In Pre-Algebra, students will focus primarily on Algebraic Reasoning, centered around linear functions and rate of change as modeled in real-world and mathematical situations, which prepares students for Algebra I. Emphasis should be focused on justifying steps used in solving equations and inequalities, implementing a variety of methods to represent their solutions within context, and checking work using substitution, graphing, and estimation. In addition, students should develop skills to fluently calculate and apply to one and two-variable equations, including the geometric formulas used in Surface Area, Volume, and Pythagorean Theorem.

Grade: 8

Length of course: year

Prerequisite: No



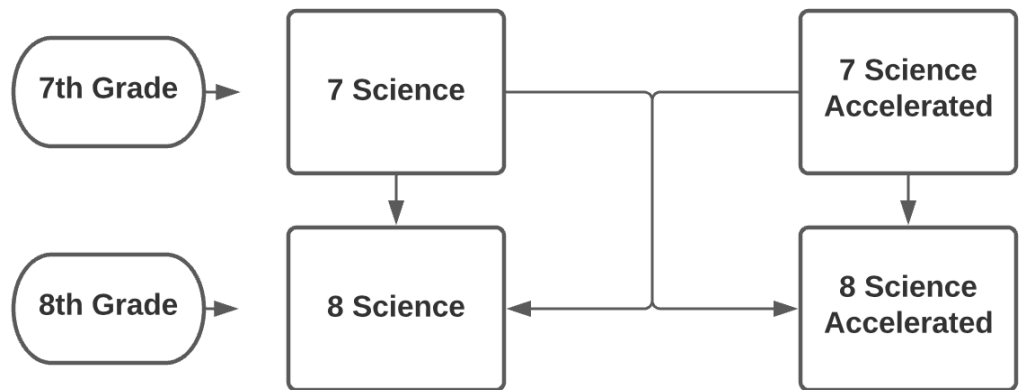
Accelerated Geometry: The mathematics learning experience in Geometry centers on Reasoning and Logic, Two and Three-Dimensional Shapes, including Circles, and Right Triangle Trigonometry. Students have been introduced to most of these topics as early as 4th grade but mainly in 7th grade and Pre-Algebra. Students in this course will extend their knowledge about basic shapes of finding surface area and volume to include logical reasoning, problem-based activities, and trigonometric ratios. Real-world applications and problem-solving strategies will be integrated throughout the course.

Grade: 8

Length of course: year
OCAS code:

Prerequisite: must qualify

Science



7 Science: In seventh grade, students will build on ideas and knowledge from previous grades to:

- Develop models of matter to illustrate how molecules are made of different types of atoms that can be rearranged during chemical reactions to form new molecules with different properties.
- Construct and interpret data models to describe the relationships between kinetic energy, mass and the speed of an object.
- Develop evidence-based arguments to support the claim that when energy is transferred to or from an object, the kinetic energy of the object changes.
- Develop models to illustrate the roles of photosynthesis and cellular respiration in the cycling of matter and flow of energy into and out of organisms.
- Analyze and interpret data to construct evidence-based arguments that changes in the availability of resources can affect organism populations within an ecosystem.
- Design methods for keeping track of and minimizing human impact on the environment.

Grade: 7

Length of course: year

Prerequisite: No

8 Science: In eighth grade, students will build on ideas and knowledge from previous grades to:

- Design solutions to a problem involving the motion of two colliding objects.
- Conduct investigations to gather evidence that fields exist between objects and can exert forces on each other even though the objects are not in contact.



Middle School
Course Description Guide 23-24

- Use scientific and technical information to construct explanations that digital signals are a more reliable way to encode and transmit information.
- Develop models to illustrate the Earth-Moon-Sun relationships, including the role of gravity in the motions within our solar system.
- Develop and use models to describe that structural changes to traits can be harmful, beneficial or neutral for an organism, and that genetic variations of traits in a population can increase some individuals probability of surviving and reproducing in a specific environment.
- Analyze and interpret data to identify patterns within the fossil record that document the existence, diversity, extinction and change of life forms throughout the history of life on Earth.

Grade: 8

Length of course: year

Prerequisite: No

Accelerated Science: Accelerated science classes are more challenging than regular science classes and are intended to prepare students for high school Accelerated and AP courses as well as for college curricula. Accelerated science courses focus on all three domains of science: Physical, Life, and Earth and Space. We approach each disciplinary core idea three-dimensionally, concentrating on science and engineering practices and identifying how each concept is interrelated to other scientific disciplines. Coursework will be taught through scientific student-engaged inquiry to strengthen the students' understanding of science, technology, engineering, and mathematics (STEM) to support them in everyday life. They are more challenging than regular-level classes and will likely have more rigorous assignments and assessments. Each student will develop a vision of science as both a body of knowledge and an evidence-based model that is continually refined and expanded.

Grade: 7

Length of course: year

Prerequisite: No

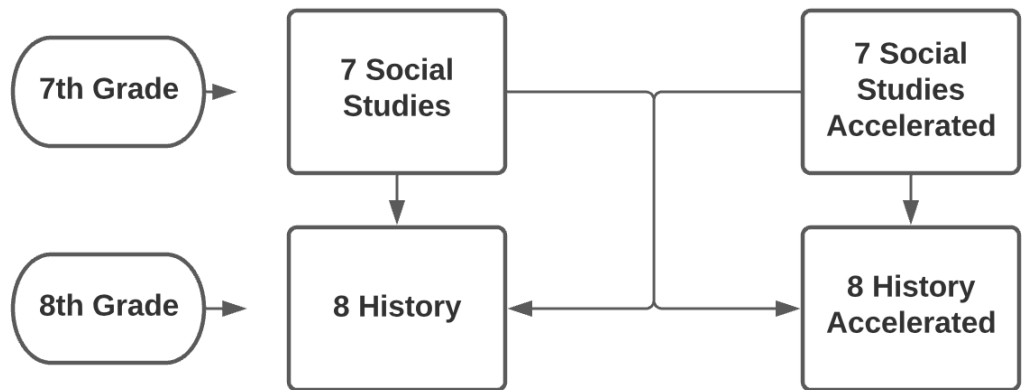
Grade: 8

Length of course: year

Prerequisite: No



Social Studies



7 Social Studies: In the seventh grade, students continue their focus on world geography, which includes the interrelated components of skills and content knowledge, both of which are necessary to being geographically informed citizens. Students will use geographic knowledge as a tool for understanding the concepts of economics and the impact of recent history on contemporary events. Students will also focus on spatial patterns of human and physical characteristics of the world and its people. They will explore how these patterns form, change over time, and relate to one another in the Eastern Hemisphere. For practical purposes, the Eastern Hemisphere is treated as the areas of Africa, Asia, Europe, Australia, and Oceania. In addition to the regular geography curriculum, the students will begin to develop an understanding of primary and secondary sources pertaining to the subjects covered in class.

Grade: 7

Length of course: year

Prerequisite: No

8 History: In the eighth grade, the course of study focuses on United States History and Civics from the beginnings of the American Revolution through the Civil War and Reconstruction Era. Students will describe and analyze the primary causes, key events, and influential personalities of historical turning points in our nation's early history. Students will also examine in greater depth the factors, documents, and political ideas that led to the formation of the United States government.

Grade: 8

Length of course: year

Prerequisite: No

Accelerated: Accelerated 7th and 8th-grade courses are intended to prepare students for transitioning to Accelerated and AP Social Studies courses in high school. Students will be challenged to think more broadly and analytically in Accelerated Social Studies. Students will be challenged with coursework requiring a great depth of knowledge, and higher-level thinking will be expected from students throughout the year. This course may require outside reading and/or projects throughout the year.

Grade: 7

Length of course: year

Prerequisite: No

Grade: 8

Length of course: year

Prerequisite: No



Computer / STEM Electives

Introduction to Computer Applications (Required for 7th grade): This class teaches basic computer fundamentals, proper typing technique and explores uses and functionality of Microsoft Office and Google Drive.

Grade: 7 Length of course: 9 weeks Prerequisite: No

Computer Applications: This advanced class reviews the basic computer fundamentals and proper typing technique. Students will continue to progress in their knowledge of Microsoft Office and Google Drive.

Grade: 8 Length of course: 9 weeks Prerequisite: No

Automation and Robotics: Students trace the history, development, and influence of automation and robotics as they learn about mechanical systems, energy transfer, machine automation, and computer control systems. Students use the VEX Robotics® platform to design, build, and robots.

Grade: 7&8 Length of course: 9 weeks Prerequisite: No

Design and Modeling: Students apply the design process to solve problems and understand the influence of creativity and innovation in their lives. Using design software, students create a virtual image of their designs.

Grade: 7&8 Length of course: 9 weeks Prerequisite: No

Flight and Space: Students explore the history and science behind aeronautics and use their knowledge to design, build, and test different forms of flight technology including drones. Simulation software also allows students to design and test different aeronautical designs such as balsa gliders.

Grade: 7&8 Length of course: 9 weeks Prerequisite: No

STEM/Robotics: This course will allow students to delve deeper into research and hands-on activities involving Robotics and technology used in the real world. Students will also be able to spend more time preparing for robotics competitions. This course is initially a 9 week course, but can be extended into a semester long course with acceptance to a competitive robotics team.

*Grade: 7&8 Length of course: 9 weeks or
semester Prerequisite: No*

STEM/Coding: Computational thinking is a valuable life skill, and this course can help inspire students to learn programming languages as well as problem solving skills.

Grade: 7&8 Length of course: 9 weeks Prerequisite: No



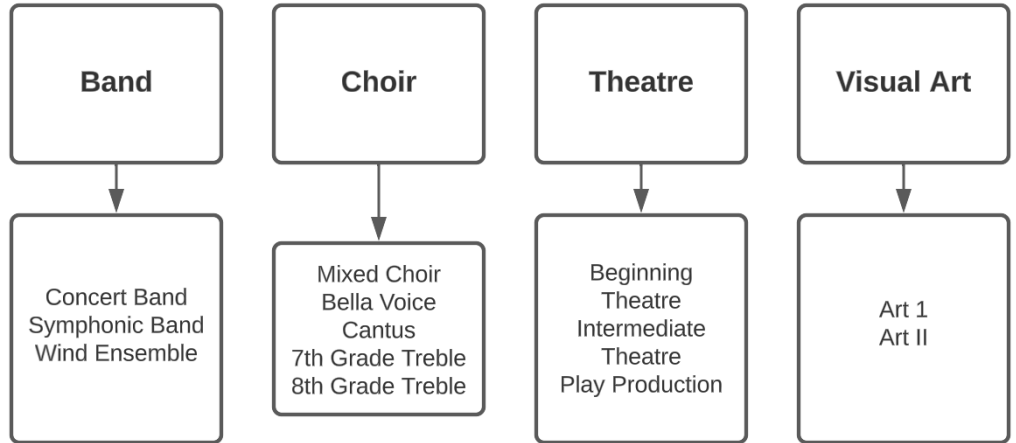
STEM/Advanced Coding: This course is for students that plan to pursue a career path in IT or computer science, as this class will challenge and prepare the students for the future.

Grade: 7&8

Length of course: 9 weeks

Prerequisite: No

Fine Arts



Art I: Two and three dimensional art production are included in this course. Basic design drawing, painting, and sculpture techniques will be explored. A concentration on the principles and elements of design, incorporated with art history, will be integrated into various art projects throughout the course.

Grade: 7&8

Length of course: 9 weeks

Prerequisite: No

Art II: This advanced art class expands upon the elements of art and the principles of design with continued exploration of basic art media and techniques, such as drawing, painting, graphic design, photography, ceramics, collage, printmaking and sculpture. This course is designed for the highly motivated art student. This course will consist of more in-depth study of art criticism, aesthetics, and art history. Students will develop an ability to talk about their work and the work of others in classroom critiques. Students are required to bring a sketchbook. Students will also have many opportunities to explore careers in the arts, as well as showcase their artwork in the community.

Grade: 8

Length of course: semester

Prerequisite: Art 1

Concert Band: Students are placed in this course via audition or instructor recommendation where they will continue study on an instrument at a novice to intermediate level. Class configurations may include full ensemble experiences and/or study within instrument families (brass, woodwind, percussion). In some cases, students may be enrolled in either concert brass, concert woodwinds, or concert percussion classes. Students in these classes are combined to form a full band for performances. Students in Concert Band will participate with bands at limited athletic events, perform a minimum of two concerts per year, and participate in an adjudicated instrumental large ensemble performance festival. Students also have opportunities to participate in honor ensemble auditions, solo, and chamber ensemble events. Families are required to supply performance attire and fees may be required for elective events.



**Middle School
Course Description Guide 23-24**

Grade: 7&8

Length of course: year

Prerequisite: Successful completion of band in the prior school year, audition or instructor approval

Symphonic Band: Students are placed in this course via audition or instructor recommendation where they will continue study on an instrument at an intermediate to proficient level. Class configurations may include full ensemble experiences and/or study within instrument families (brass, woodwind, percussion). In some cases, students may be enrolled in either concert brass, concert woodwinds, or concert percussion classes. Students in these classes are combined to form a full band for performances. Students in Symphonic Band will participate with bands at limited athletic events, perform a minimum of two concerts per year, and participate in an adjudicated instrumental large ensemble performance festival. Students are encouraged to participate in honor ensemble auditions, solo, and chamber ensemble events. Families are required to supply performance attire and fees may be required for elective events.

Grade: 7&8

Length of course: year

Prerequisite: Successful completion of band in the prior school year, audition or instructor approval

Wind Ensemble: Students are placed in this course via audition or instructor recommendation where they will continue study on an instrument at a proficient to advanced level. This class will meet as a full ensemble everyday. Students in Wind Ensemble will participate with bands at limited athletic events, perform a minimum of two concerts per year, and participate in an adjudicated instrumental large ensemble performance festival. Students are expected to participate in honor ensemble auditions, solo, and chamber ensemble events. Families are required to supply performance attire and fees may be required for elective events.

Grade: 7&8

Length of course: year

Prerequisite: Successful completion of band in the prior school year, audition or instructor approval

Mixed Choir: (name will change to Concert Chorale in 23-24) This auditioned choir for mixed voices will focus on advanced vocal technique, sight-reading, and music theory. A variety of musical styles will be explored. Students will participate in concerts, and have the opportunity to audition for contests and music festivals. Fees are attached to this class for uniforms, and potential musical opportunities outside of the classroom. This class may be taken for a semester or a year.

Grade: 7&8

Length of course: semester or year

Prerequisite: by audition



Select Women's Choir (name will change to Bella Voce in 23-24): This auditioned choir of students who perform in treble vocal ranges (soprano, alto) will focus on vocal technique, sight-reading, and music theory. A variety of musical styles will be explored. Students will participate in concerts, and have the opportunity to audition for contests and music festivals. Fees are attached to this class for uniforms, and potential musical opportunities outside of the classroom. This class may be taken for a semester or a year.

Grade: 7&8 Length of course: semester or year Prerequisite: by audition

Men's Choir (name will change to Cantus in 23-24): This non-auditioned choir of students who perform in tenor and bass vocal ranges will concentrate on fundamental vocal technique, sight-reading, and music theory. A variety of musical styles will be explored. Students will participate in concerts, and have the opportunity to participate in contests and music festivals. Fees are attached to this class for uniforms, and potential musical opportunities outside of the classroom. This class may be taken for a semester or a year.

Grade: 7&8 Length of course: semester or year Prerequisite: No

7th grade Women's Choir (name will change to 7th Grade Treble Choir in 23-24): This non-auditioned choir of 7th grade students who perform in treble vocal ranges (soprano, alto) will concentrate on fundamental vocal technique, sight-reading, and music theory. A variety of musical styles will be explored. Students will participate in concerts, and have the opportunity to participate in contests and music festivals. Fees are attached to this class for uniforms, and potential musical opportunities outside of the classroom. This class may be taken for a semester or a year.

Grade: 7 Length of course: semester or year Prerequisite: No

8th grade Women's Choir (name will change to 8th Grade Treble Choir in 23-24): This non-auditioned choir of 8th grade students who perform in treble vocal ranges (soprano, alto) will concentrate on fundamental vocal technique, sight-reading, and music theory. A variety of musical styles will be explored. Students will participate in concerts, and have the opportunity to participate in contests and music festivals. Fees are attached to this class for uniforms, and potential musical opportunities outside of the classroom. This class may be taken for a semester or a year.

Grade: 8 Length of course: semester or year Prerequisite: No

Beginning Theatre: This is a performance-based, foundation-building class. Students will progress from group presentations to individual performances while learning terminology. Coursework may involve pantomime, warm-ups, scenes, monologues, script writing, character analysis, improvisation, stage presentation techniques, memorizing lines, and applying audience etiquette. Participation in all performances is required. Emphasis on team-building, interpersonal skills, problem-solving, conflict-resolution, presentation skills, and audience etiquette. Great confidence and skill-set booster for ANYONE, regardless of professional pursuits. Participation in the Evening Showcase for parents/friends is encouraged.

Grade: 7&8 Length of course: 9 weeks Prerequisite: No



Intermediate Theatre: This is a hands-on, performance-based class building upon the concepts and practices of Beginning Theatre. Students will participate in script writing, stage design, monologues, scenes, character analysis, and limited technical theatre. Additionally, students will perform scenes for a live audience and continue to develop improvisational skills, activities, and focus activities for performers. Participation in all performances is required. Participation in the Evening Showcase for parents/friends encouraged.

Grade: 7&8

Length of course: 9 weeks

Prerequisite: Beginning Theater (can be taken in the same year)

Play Production: This course will apply all aspects of Beginning and Intermediate Theatre by spending 6-7 weeks producing a play. Memorization is expected, and participation in all performances is required. (This play will be performed in matinee for the student body in addition to an open evening performance.) The play will allow the students to incorporate their knowledge in varied aspects of technical theatre, publicity/advertisement, and performing art skills. There will also be an introduction into speech and competitive theatre with the possibilities of attending OSSAA Novice competitions in collaboration with the high school Theatre students.

Grade: 7&8

Length of course: Semester

Prerequisite: Beginning or Intermediate Theatre. Audition and instructor approval required.

Physical Education Electives

Outdoor Education (with Archery): Students will be introduced to a variety of lifelong outdoor skills and activities. Programs that may be included in the course consist of Oklahoma Fishing in the Schools, National Archery in the Schools Program, Exploring Bow Hunting, Explore Bowfishing, boater safety, and hunter education. Students will have the opportunity to develop their physical skills in new and challenging situations as well as exercise important social skills such as teamwork and leadership. This is a high-interest class that complements similar programs at the elementary and high school levels.

Grade: 7&8

Length of course: 9 weeks

Prerequisite: No

PE: The middle school physical education program's purpose is primarily to equip students to develop the desire, knowledge, and skills to be engaging in regular lifelong physical fitness. The program has two primary focal points. The first is to equip students with levels of strength, agility, and motor skills to participate in lifelong activities. The second focal point is to equip students with knowledge to participate, monitor and manage their own health fitness levels. Students will have the opportunity to participate in team sports which may include: basketball, Bronco Ball, bucket ball, flag football, floor hockey, kickball, pickleball, soccer, softball, team handball, ultimate Frisbee, and volleyball.. Students may also engage in individual sports and activities such as badminton, bowling,



disc golf, table tennis, and track/field events. Students will engage in activities that help develop attitudes and behaviors that will assist in their ability to be contributors to their social constructs.

Students grades will be determined with written and/or skills tests and daily participation

Grade: 7&8 Length of course: 9 weeks Prerequisite: No

Strength and Conditioning: This course will provide an opportunity for the development of strength and conditioning for various sports and fitness related activities. The activities in this course will be focused on the middle school athlete. Free weights, exercise machines and conditioning activities will be incorporated to promote improvement in strength, endurance, balance, agility, and speed. Proper technique, safety precautions and proper application of the Principles of Training will be emphasized. A plan to achieve goals will be developed and implemented.

Grade: 7&8 Length of course: 9 weeks Prerequisite: No

Other Electives

Bronco 101 (Required for 7th grade): Is designed to help students develop life skills in critical thinking, decision-making, communications, managing feelings, stress management, time management, and goal setting. It will also help students adapt to middle school and learn effective strategies to help ensure success in their upcoming school years.

Grade: 7 Length of course: 9 weeks Prerequisite: No

Skills for Living: This 9-week elective course introduces the student to practical skills needed for everyday life. The two major units of study are Foods/Nutrition and Sewing. Students will prepare several recipes and will complete a project using the sewing machine.

Grade: 7&8 Length of course: 9 weeks Prerequisite: No

Spanish (Required for 7th grade) open 8th grade: This course builds on vocabulary and grammar acquired in the 5th and 6th grade Spanish classes, and serves as a foundation for introductory high school level courses. Some of the primary topics/units include the following; basic greetings and closures, weather, numbers, countries and capitals of Central and South America, personal hobbies, expressing likes and dislikes, and conjugating verbs in present tense.

Grade: 7&8 Length of course: 9 weeks Prerequisite: No