

the integrated

Titan

Specification & Pricing Guide

version 1.03

1/1/2017



Table of Contents

Ordering Information

Specifications Guide

Pedestal Specifications	3
Ordering Information Checklist	3
Lateral Specifications	4
Storage Cabinet Specifications	6
Graded-In Fabrics & Textiles	7
LIAT Shipping Zones	14
Shipping Pricing Guide	14
Pricing Guide Tutorial	16

Storage

Freestanding Pedestal Build Guide	20
Freestanding Pedestal Pricing Guide	21
Lateral Build Guide	22
Lateral Pricing Guide	23
Mobile Pedestal Build Guide	24
Mobile Pedestal Pricing Guide	25
Storage Cabinet Build Guide	26
Storage Cabinet Pricing Guide	27
Titan Popular Combinations	28
Titan Popular Combinations	29

Terms and Conditions

Titan Terms and Conditions	30
GSA Terms and Conditions	32

Ordering Information

Ordering Information Checklist

Use this checklist to be sure you have all of the necessary information to order your Titan unit.

Catalog Number

Use our build guides to create your Titan catalog number.

Metal

Powder Coated Steel

Steel Gray	Black
Textured Black	Silver
White	

Fabrics & Textiles

Please specify manufacturer, fabric, color, and product number.

Specifications Guide

Pedestal Specifications

Basic Construction

All Titan products meet or exceed applicable ANSI-BIFMA standards for durability and safety.

A welded steel frame construction and formed channels ensure strength in key areas.

Top and side channels are 18 – 21 gauge cold rolled steel.

Outer panels and drawer bins are 22 gauge steel; drawer fronts are 20 gauge steel.

Freestanding, mobile, and cushion pedestals include a factory-installed counterweight.

Four leveling glides with 1-5/8" adjustment ensure proper drawer alignment and operation.

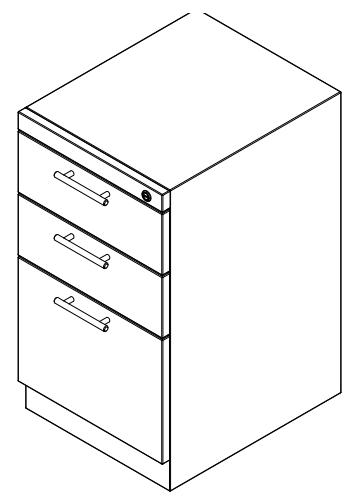
All drawers include full-extension steel ball-bearing slides.

Slides include "anti-rebound" and "quick disconnect" features.

Drawer fronts include rubber bumpers for quiet operation.

1-1/2" cushion attaches with dual-lock strips.

Mobile units include 2 locking and 2 non-locking black 37mm plastic casters.

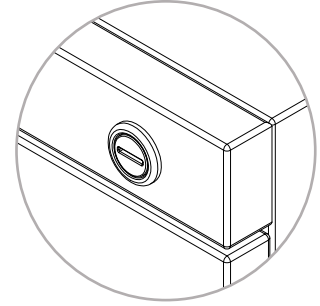


Lock System

Pedestals come standard with randomly-assigned LL Series locks (#226-325).

LL locks are satin nickel and scalloped, master-keyed, and core-removable.

For key alike service, please specify the desired key sequence on your PO. Cores and keys will ship separately.



Inner Drawer Dimensions

Inside clear drawer bin width:

all pedestals: 21.125"

Inside clear drawer bin depths:

18" deep pedestal: 15.2".

22" deep pedestal: 18.25".

28" deep pedestal: 24.25".

Inside clear drawer bin height:

file drawer: 9.5".

box drawer: 4.5".

pencil drawer: 1.75".

Drawer Load Capacity

3" pencil drawer: 50 lbs.

6" pencil drawer: 50 lbs.

12" file drawer: 70 lbs.

Lateral Specifications

Basic Construction

All Titan products meet or exceed applicable ANSI-BIFMA standards for durability and safety.

A welded steel frame construction and formed channels ensure strength in key areas.

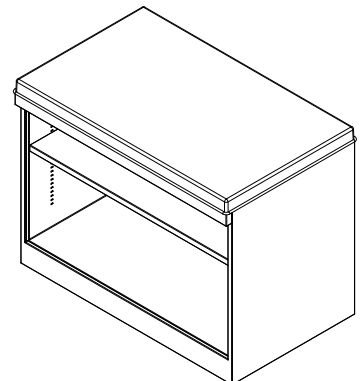
Inner frame is 20 gauge metal. Fronts, tops, outer panels are 20 and 22 gauge. Drawer bins and shelves are 28 and 20 gauge.

Four leveling glides with 1-1/4" adjustment ensure proper drawer alignment and operation.

All drawers include full-extension steel ball-bearing slides.

Two file bars are included in each drawer, for side-to-side filing.

All lateral drawer bins will accommodate A4, Letter, and Legal size filing.



Slides include “anti-rebound” and “quick disconnect” features.

A safety interlock mechanism is integrated into the slides, allowing only one drawer to open at a time.

Drawer fronts include rubber bumpers for quiet operation.

Shelves are adjustable in 1/2” increments.

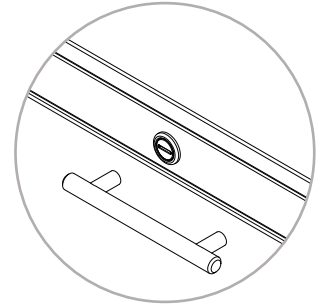
1-1/2” cushion attaches with dual-lock strips.

Lock System

Laterals with drawers come standard with randomly-assigned LL Series locks (#226-325).

LL locks are satin nickel and scalloped, master-keyed, and core-removable.

For key alike service, please specify the desired key sequence on your PO. Cores and keys will ship separately.



Inner Drawer Dimensions

Inside clear drawer bin widths:

30” bin: 26.7”.

36” bin: 32.7”.

42” bin: 38.7”.

Inside clear drawer bin depths:

All laterals: 16”.

Inside clear drawer bin height:

file drawer: 9.5”.

box drawer: 4.5”.

Load Capacity

Drawers: 125 lbs.

Fixed and adjustable shelf weight capacity:

30” shelf: 95 lbs.

36” shelf: 116 lbs.

42” shelf: 136 lbs.

Load capacity of top of all lateral files:

30” wide: 140 lbs.

36” wide: 168 lbs.

42” wide: 192 lbs.

Storage Cabinet Specifications

Basic Construction

All Titan products meet or exceed applicable ANSI-BIFMA standards for durability and safety.

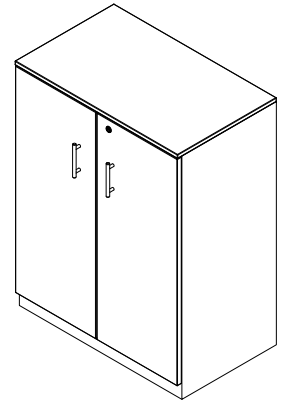
A welded steel frame construction and formed channels ensure strength in key areas.

Top, back, side, and center panels are 21 gauge metal.

Shelves are 28 gauge steel.

Bottom pad is 16 gauge steel.

Shelves are adjustable in ½" increments.

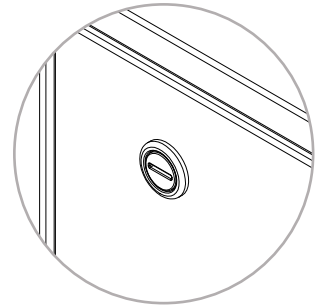


Lock System

Storage cabinets come standard with randomly-assigned LL Series locks (#226-325).

LL locks are satin nickel and scalloped, master-keyed, and core-removable.

For key alike service, please specify the desired key sequence on your PO. Cores and keys will ship separately.



Load Capacity

Fixed and adjustable shelf weight capacity:

30" shelf: 95 lbs.

36" shelf: 116 lbs.

42" shelf: 136 lbs.

Graded-In Fabrics & Textiles



FABRIC	GRADE
Align	2
Artistry	1
Ascension	5
Aurora	5
Avenue	4
Banner	1
Bar None	4
Batik	2
Bella	4
Boteh	7
Bungalow	4
Burst	3
Camelot	3
Canvas	4
Catalyst	2
Cavalier	1
Charade	4
Circuit	5
Circumference	5
Collage	6
Component	2
Continuum	1
Cross Check	1
Dapper	1
Daydream	3
Dazzle	3
Destiny	2
Destiny plus DuraBlock™	3
Detail	4
Duraweave® 10	1
Echo	3
Ecosphere	4
Element	2
Encore	5
Equation	2
Equinox	3
Erode	6
Esprit	3
Essex	2
Europa	3

Evolve	5
Facets	5
Factor	2
Fantasy	5
Figure Eight	2
Flock	6
Flower Power	2
Focal Point	2
Forte	1
Foundation 10	1
Genesis	2
Genesis plus DuraBlock™	3
Glee	2
Groundworks	4
Haberdash	2
Hoopla	2
Impulse	2
In The Groove	3
Infinity	4
Intrigue	2
Jenga	3
Jubilee	2
Juncture	7
Karma	4
Kismet	4
Locomotion	2
Lunar	2
Madras	2
Mandala	7
Marquise	2
Marvel	4
Matrix	5
Maze	4
Meander	2
Monogram	3
Moonscape	2
Mosaic	2
Mosaic plus DuraBlock™	3
Motif	4
Myriad	4
Mystic	2

Nuance	4
Nylon-Stat ESD	4
Optic	1
Orbit	3
Patio	2
Pinnacle	2
Plaza	3
Portal	3
Prism	1
Pulse	5
Quattro	1
Rapport	2
Reiki	5
Relic	6
Reverb	2
Rhythm	5
Ritz	2
Sequel	1
Sequel plus DuraBlock™	2
Shantung	2
Sherlock	2
Soleil	5
Solid Ground	4
Sophisticate	2
Source	2
Source plus DuraBlock™	3
Spacer Mesh	1
Spotlight	4
Synapse	5
Theory	1
Twister	3
Valet	2
Variant	1
Venue	2
Vibrant	3
Vogue	3
Wildflower	5
FAUX LEATHER	GRADE
Antique	3
Berkshire	3
Bolero	3

Caressa FR	2
Caressa Suede	2
Cascade	3
Cayman	4
Cork	4
Counterpoint	3
Durango	2
Emu	1
Florentino	1
Glimmer	4
Hombre	4
Jekyll & Hyde	3
Kobe	1
Komodo	2
Laredo	4
Longhorn	3
Makore	4
Maverick	2
Melody	4
Milano	2
Outback	2
Palermo	3
Patent	4
Phoenix	2
Quark	5
Ranchero	1
Rift	3
Shimmer	4
Verona	2

LUCIA CASA	GRADE
Array	3
Awakening	7
Botanica	4
Convergence	6
Empire	7
Enigma	6
Illusion	6
Ottoman	4
Paradigm	5
Pavilion	5
Sakura	6

Sashiko	6
Stratosphere	7
Tangled Web	5
Turnabout	5
Venetian	CALL
Vintage Mohair	CALL
Volante	CALL

STU-ART	GRADE
Eleanor Rigby	4
Hole In One	4
Hopsack	4
Rock & Roll	4
Stop & Go	4

VINYL	GRADE
All Seasons FR	2
All Use FR	1
Apex	2
Athens FR	2
Atomic	2
Blocks	2
Chaps FR	2
Charette	2
Contempo	2
Crystals	3
Curlicue	2
Dakota	2
Dande	2
Dublin Tweed FR	2
Entwine	2
Finesse	2
Gala	3
Guardian	2
Heather FR	2
Images	2
Interlace	3
Interlochen	2
Key Largo	2
Linen	2
Links	2
Madrid SP Black	1

Microdot	2
Oxen SP Black	1
Peerless	2
Pinehurst	2
Prado	2
Punch	2
Sequence	2
Sierra SP Black	1
Silk Screen	2
SilverWeave	2
Skate	3
Sketch	2
Slick	2
Spirograph	3
Toss Up	2
Tributary	2
Tussah	2
Uptown	2
Vinyl Stat ESD	3
Wallaby SP Black	1
Webscape	3
Willow	2

WOOL	GRADE
Geisha	7
Katagami	5
Obi	5
Origami	5
Samurai	5
Shibori	5
Wool Boucle	7

WOVEN CRYPTON	GRADE
Acclaim	3
Amadeus	4
Arabesque	3
Aristocrat	3
BeBop	5
Big Top	4
Brio	4
Celtic	3
City Lights	4

Cuddle Up	5
Debonair	4
Debut	6
Disco	3
Domain	4
Entourage	5
Escapade	5
Fable	4
Fairy Tales	5
FanFare	6
Fathom	3
Finale	3
Finish Line	4
Frequency	6
Habitat	3
Holiday	3
Jitterbug	3
Journey	3
Malibu	3
Metro	2
New Dimensions	7

Nirvana	5
Nostalgia	3
Obsession	6
On the Spot	5
Panache	5
Paparazzi	5
Paradise	6
Pastime	3
Pathway	3
Positive Thoughts	5
Primo	3
Rain Dance	3
Ratio	5
Razzmatazz	5
Realm	5
Rebound	5
Replay	4
Reveal	3
Round 'N Round	5
Smart Suede	3
Social Network	3

Solaris	5
Stanza	3
Suede	3
Swank	6
Tangram	7
Tea Leaves	3
Time Line	3
Viewpoint	5
Whimsy	5
Xanadu	5

Vinyl & Non-PVC
January 1, 2016

Pattern	Grade
Abacus	6
Affinity	5
Apex • Crypton [®] Revl™	4
Archetype	2
Aspen	5
Atlas	1
Atmosphere	2
Auberge	6
Avant	2
Bambu-EnVi™	5
Banyan	5
Bari	5
Bistro	2
Bon Voyage	6
Burkshire	2
Capreni	5
Carlisle	3
Casablanca	6
Cassidy	2
Catalyst	2
Channel	2
Chroma	4
Cirque	3
Citadel	2
Clean Slate	2
Colorguard	2
Connect	2
Core	2
Criss Cross	2
Dash	3
Diva	2
Dodgeball	6
Dynasty	2
Eli	5
English Pub	2
Entrada	6
Excursion	2
Expressions	2
Facet	2
Fizz	3
Fuse	1
GeoMet	4
Grand Sierra	2
Grille	2
Juxy	5
Kusari	2
Laredo	1
Latitude	2
Lava	7

Pattern	Grade
Liquid	3
Martini	5
Matrix	4
Mica	2
Moccasin	2
Montana	2
Natural World	6
Naugaleather	2
Naugasoft	2
Olympus	5
Orbit	2
Oxford	2
Patriot Plus II	2
Petals	5
Plexus	5
Prisma	5
Raffia	4
Rainier	2
Rally	1
Revolve	7
Rialto	2
Ripple	7
Rivera	5
Rogue II	1
Scout	2
Script	3
Sentry-HC	2
Shantung	2
Simplicity	2
Sleek	2
Slightwave	5
Smile	6
Smoothie	2
Stat-Con	4
Stitch in Time	3
Tendril	2
Tessuto	2
Valise	2
Vegas	2
Verdure - EnVi™	5
Vortexia	7
Walk the Line	6
Waterwand	7
Whitney	3
Wicker	5
Ybor	5
Ziggy	2
Zodiac	2

Non-PVC
January 1, 2016

Pattern	Grade
Arioso	5
Camino	CALL
Cielo	CALL
Dakota	2
Effervescence	5
E'Lan-HC	CALL
Glisten	CALL
Mesa	CALL
Modena	5
Moxie	5
Sedona	CALL
Silverado w/ Agion®	6
Solitaire	3
Sterling w/ Agion	6
Sundance w/StaKleen™	4
Tender	CALL
Volterra-HC	CALL
Wink w/ Agion	6
Wyatt	3

Performance Seating Fabric
January 1, 2016

Pattern	Grade
Ace	2
Acanthus	8
Acrobat	6
Adirondack	5
Aero	5
Alchemy	5
Alfresco	5
Algiers	7
Alignment	5
Aloha	6
Arc	3
Ascend	5
Aura	7
Balance Beam	5
Bali	6
Balustrade	7
Bass Line	5
Beatbox	5
Beep Beep	5
Bespoke	4
Blip	2
Block Party	6
Bloom	CALL
Bongo	6
Breton	5

Pattern	Grade
Brilliant	2
Bryant Park	2
Calla	6
Cannon Beach	7
Canterbury	7
Catalina	5
Catwalk	5
Celeste	5
Chakra	7
Chauncey	3
Chi w/ Agion®	7
Chloe	4
Cinnamon Blossom	6
Coco	5
Colden	6
Comeback	7
Concentric	6
Continuum	3
Cottonwood	5
Courtyard	6
Cozy	4
Cruisin'	6
Crypton Metro	3
Crypton Suede	3
Crystalline	6

Performance Seating Fabric

January 1, 2016

Pattern	Grade	Pattern	Grade
Current	7	Jambi Stripe	5
Curves Ahead	6	Jasmine Screen	5
Cyma	7	Jump w/ Agion	8
Daddy-O w/ Agion	7	Kambala	7
Dart	2	Ketana	7
Deflection	5	Knock Knock	7
Delphi	5	Labyrinth	6
Detail	6	Leaps & Bounds	5
Deza	7	Lift	7
Diffusion	8	Lindley Park	2
Double Time w/ Agion	8	Line Dance	4
Duet	4	Links	5
Elderberry	6	Linus	4
Equinox	4	Lucent	7
Fast Lane	2	Makeover	7
Fenestra	7	Mali	6
Figment	5	Malta	7
Firefly	6	Manchester	4
Flex	4	Marimba	5
Flight	7	Mingle	5
Flip Flops	6	Montage	4
Florentine	4	Mumbai	8
Folio	6	Nest	6
Freehand	3	New Hempstead	2
Furrows	2	Next Scene	5
Geodesic	6	Nova	3
Glacier	2	Now & Zen w/ Agion	8
Gradation	3	On the Money	4
Gravity	4	Oscillate	7
Grove	5	Outlander	2
Hands On	5	Pacifica	7
Happy Hour	3	Panorama	6
Happy Tappy	7	Park Avenue	5
Haven	4	Perimeter	3
Helix	6	Persuasion	4
Hi-Fi	2	Polka	2
Hive	2	Portico	4
Horizons	6	Posh	4
Hot Spot	5	Profile	5
Hourglass	6	Radiance	8
Hudson	7	Raquette	5
Hush	5	Realm	4
I Spy	5	Respite	6
Impression	7	Retrograde	2
Inside Track	2	Revolution	5
Interplay	4	Riddle	2
Interval	4	Rolling Stones	6
Isabella	6	Salinas	8
Jala	8	San Simeon	7
Jam Session w/ Agion	8	Satellite	3



Look for the Stinson See / Sample / Spec logo to immediately search and sample the full graded-in line of CF Stinson fabrics.

Performance Seating Fabric

January 1, 2016

Pattern	Grade
Scintillate	6
Seagrass	6
Second Act	5
Sequence	2
Sideline	3
Skyline	6
Snuggle	3
Spark	8
Spindles	7
Splash	5
Sprint	2
Squire	4
Stellar	3
Stipple	3
Straight and Narrow	5
Stratford	CALL
Sumatran Palm	5
Summit	4
Sunburst	6
Sunswept	5
Supersiliness	7
Swivel	6
Symmetry	6
Tessellate	7
Thicket	2
Tracing	3
Tranquility	6
Tracing	3
Transcend	2
Tribeca	2
True Path w/ Agion	8
Tuscan Hills	7
Tweed	5
Umbrian Rain	7
Up Tempo w/ Agion	8
Urban Grid	2
Vanish	7

Pattern	Grade
Vapor	6
Varati	8
Velocity	4
Vermont	6
Vibe	5
View	6
Vineyard	8
Vintage	6
Vision	2
Voltage	7
Whirl	6
Willow Talk	6
Wish	CALL
Zoom	4

Genuine Leather

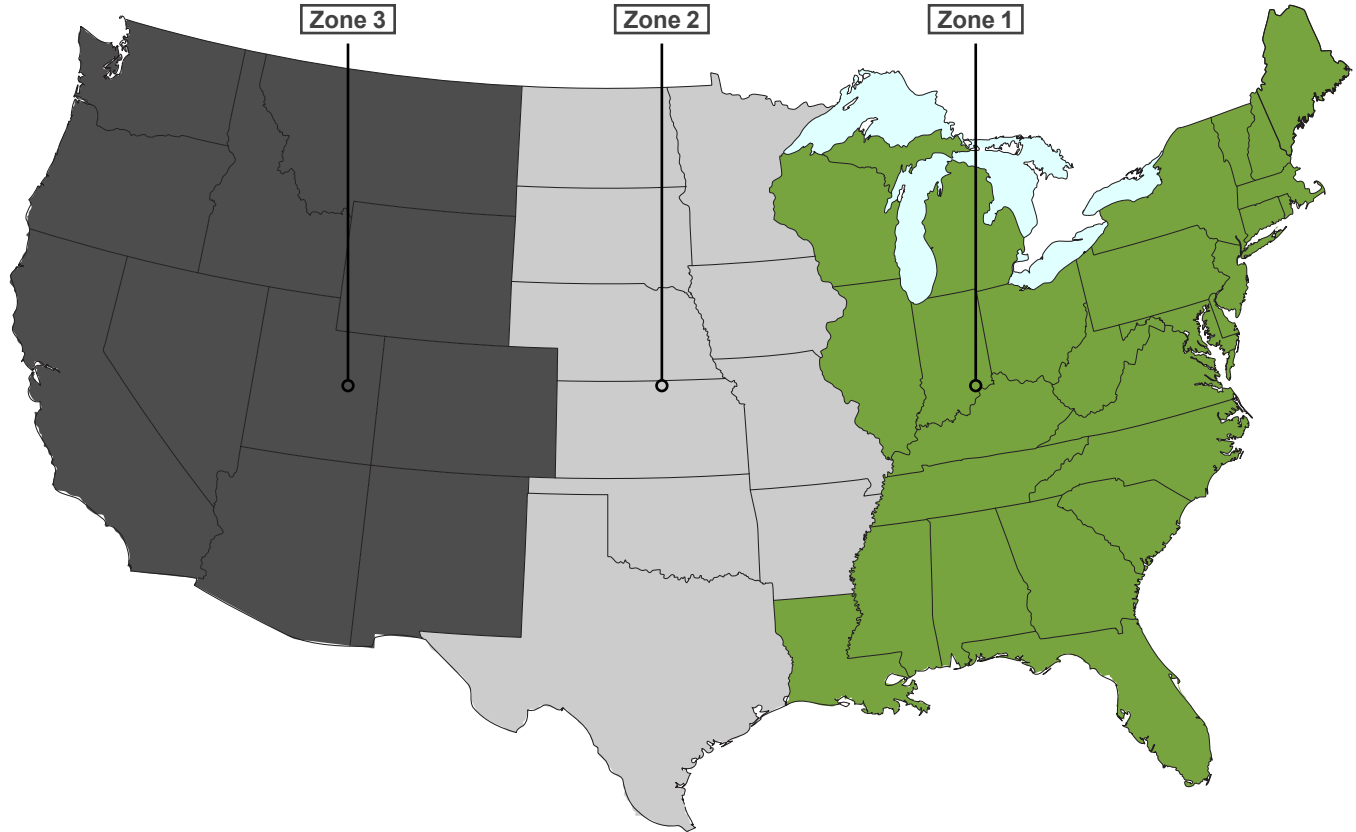
R.E.I.L.	CALL
----------	------

LIAT Shipping Zones

Shipping | Pricing Guide

Use the following guide to **determine the delivered pricing** for your LIAT furniture product by **selecting your zone** from the map and reviewing the price changes for each zone. To **determine your list price**, add your prices from your selected furniture and then **add the shipping cost based on your designated zone**.

USA



- Zone 1** No extra cost
- Zone 2** Add 4% to the list price
- Zone 3** Add 7% to the list price

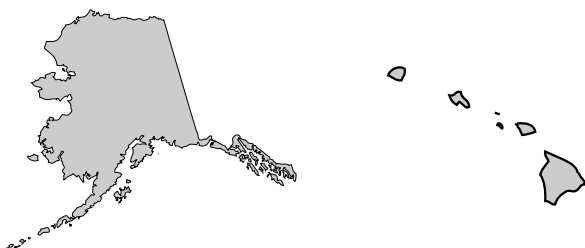
Zone 1 orders less than \$5,000 list will have a freight minimum fee of **\$375** list.

Zone 2 orders less than \$5,000 list will have a freight minimum fee of **\$375** list, plus **4%** of list

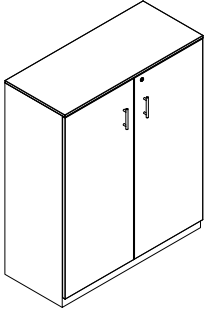
Zone 3 orders less than \$5,000 list will have a freight minimum fee of **\$375** list, plus **7%** of list

Hawaii, Alaska, and International

Note. This system does not apply to our international customers or those living in Alaska and Hawaii, **freight must be quoted separately for these orders.**



Example 1 Below \$5,000 list



TN-SC-4252-DR

List Price - \$1,584

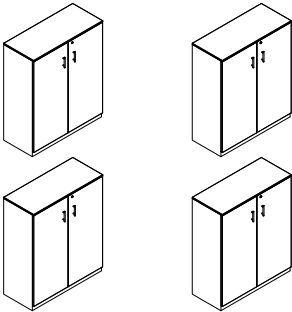
Nominal Size - 42" W x 18" D x 52" H

Actual Footprint - 42" W x 18-1/4" D x 51-3/8" H

Storage Type - Locking Doors

- **Zone 1** List Price: \$1,584 + \$375(Flat fee) = **\$1,959**
- **Zone 2** List Price: \$1,584 + \$375(Flat fee) + \$63(4% of list) = **\$2,022**
- **Zone 3** List Price: \$1,584 + \$375(Flat fee) + \$110(7% of list) = **\$2,069**

Example 2 Above \$5,000 list



TN-SC-4252-DR (more than one)

List Price - \$6,336

Nominal Size - 42" W x 18" D x 52" H

Actual Footprint - 42" W x 18-1/4" D x 51-3/8" H

Storage Type - Locking Doors

- **Zone 1** List Price: \$6,336 = **\$6,336**
- **Zone 2** List Price: \$6,336 + \$253(4% of list) = **\$6,589**
- **Zone 3** List Price: \$6,336 + \$443(7% of list) = **\$6,779**

*Assembly is not required for LIAT's standard Titan product.

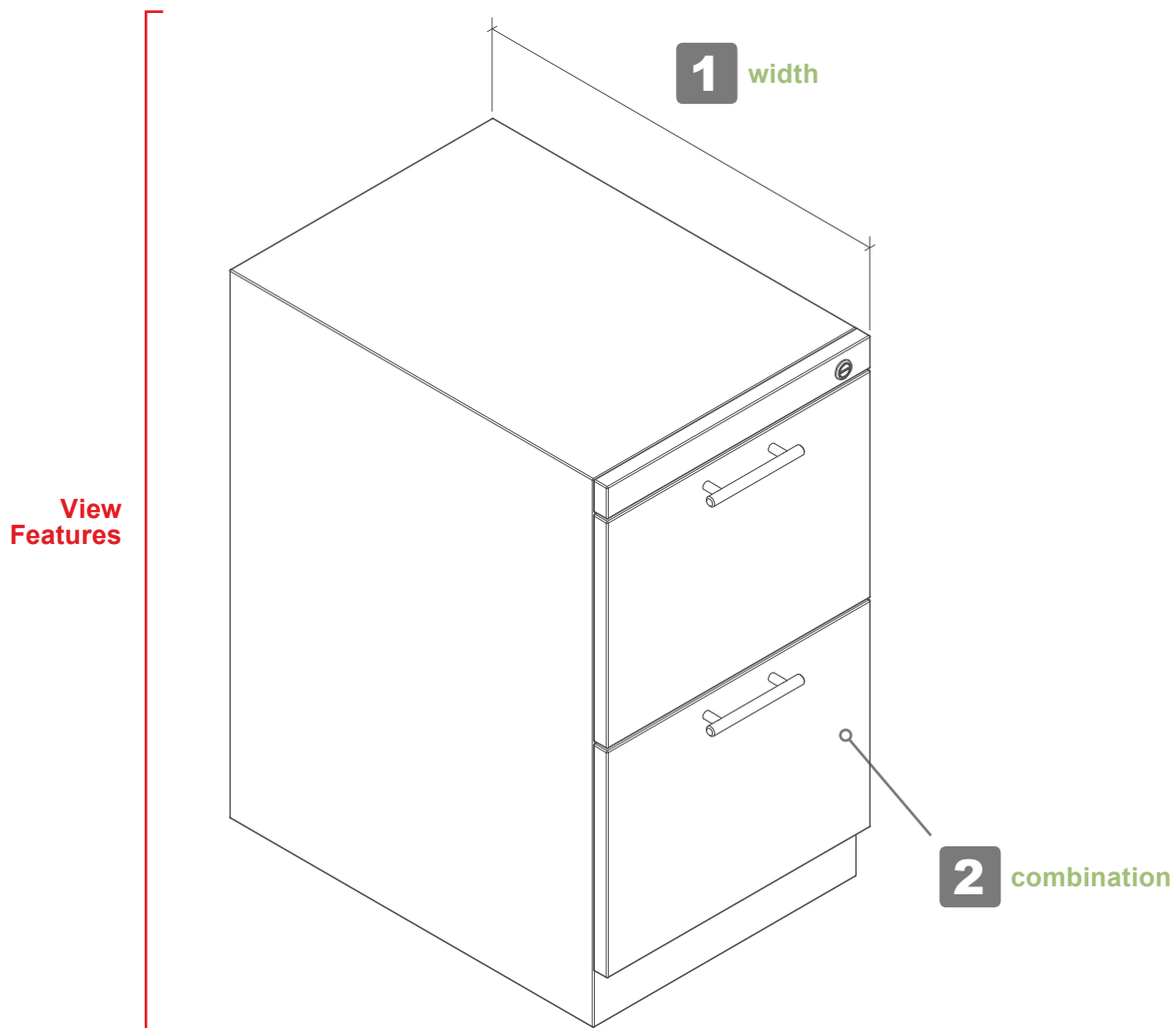
Pricing Guide Tutorial

How to use this pricing guide

These pages are a guide on how to build and customize your Titan unit using this specification and pricing guide.



Required Selections



Unit Shown TN-FP-22FFX

Shown options creating a unique product code

List Price \$510

Price of unit shown

Use this information to locate the guide sections →

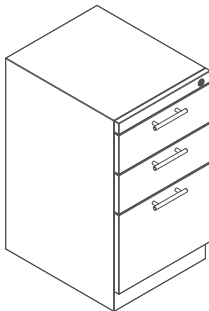
To compare various combinations, use price chart

Required Selections					
Component	Code	Description	19" Deep	22" Deep	28" Deep
1 Depth	19	19" Deep Freestanding Pedestal	\$0	-	-
	22	22" Deep Freestanding Pedestal	-	\$0	-
	28	28" Deep Freestanding Pedestal	-	-	\$0
2 Combination	BBF	Box/Box/File	\$530	\$538	\$586
	FFX	File/File	\$497	\$510	\$546

TN-FP-22FFX

\$510

Suggested Units



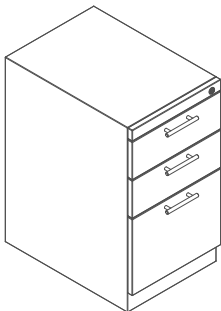
TN-FP-19BBF

List Price - \$530

Nominal Size - 15" W x 19" D x 28" H

Actual Footprint - 15-1/4" W x 18-7/8" D x 27-3/4" H

Combination - Box/Box/File



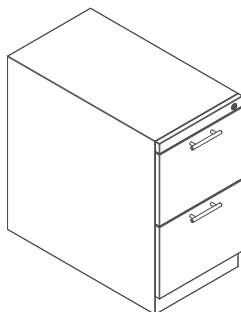
TN-FP-22BBF

List Price - \$538

Nominal Size - 15" W x 28" D x 28" H

Actual Footprint - 15-1/4" W x 27-7/8" D x 27-3/4" H

Combination - Box/Box/File



TN-FP-28FFX

List Price - \$546

Nominal Size - 15" W x 28" D x 28" H

Actual Footprint - 15-1/4" W x 27-7/8" D x 27-3/4" H

Combination - File/File

Storage

Convenient and consistent storage options

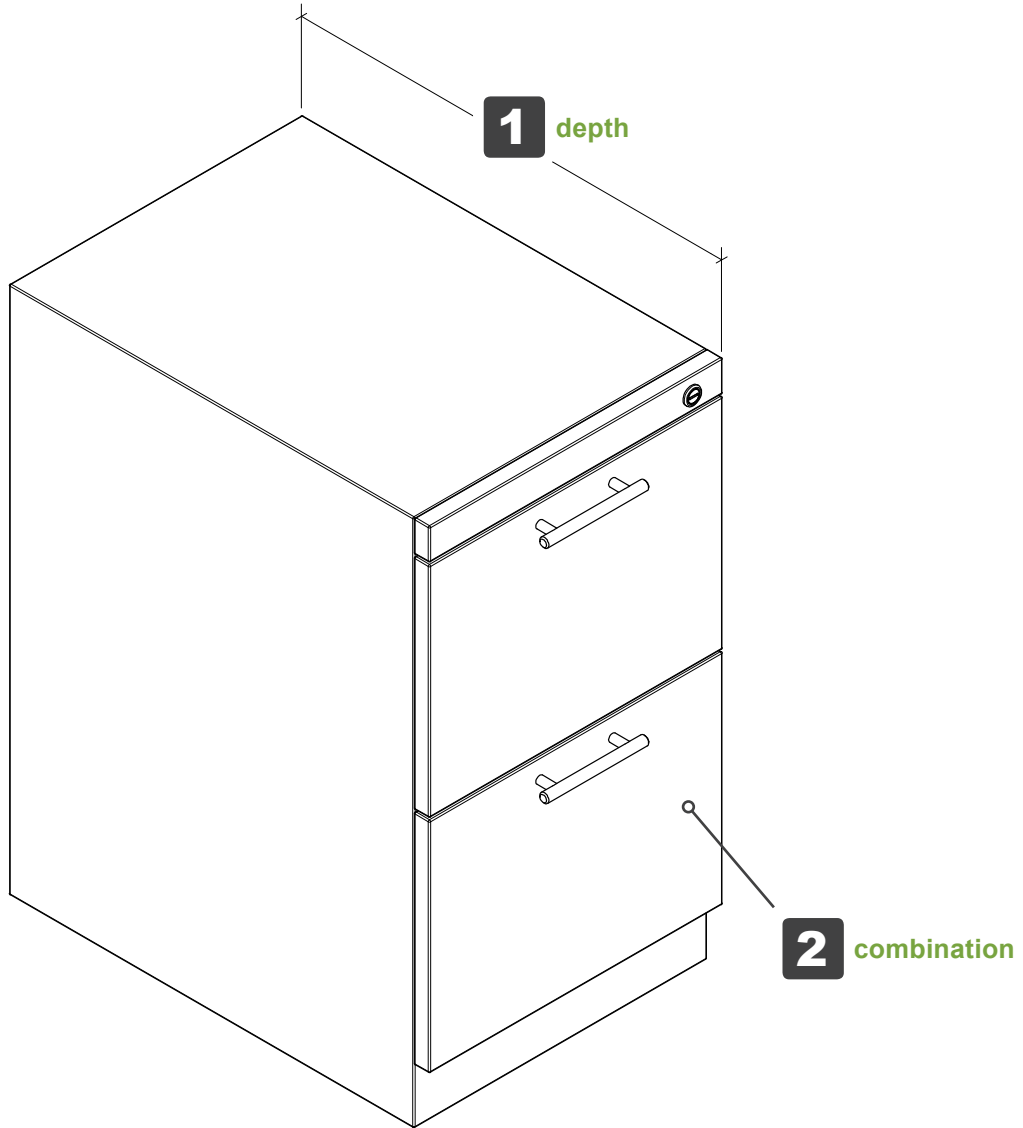


Titan Storage

Freestanding Pedestal | Build Guide

Use the following guide to **determine the catalog number** for your Titan freestanding pedestal by **selecting your choice** from the available options. To **determine your list price**, add all prices for your selected items from the table to the right.

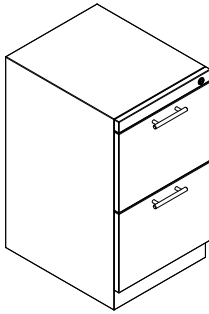
TN - FP - **1** **2**
depth combination



Unit Shown TN-FP-22FFX

List Price \$510

Required Selections					
Component	Code	Description	19" Deep	22" Deep	28" Deep
1 Depth	19	19" Deep Freestanding Pedestal	\$0	-	-
	22	22" Deep Freestanding Pedestal	-	\$0	-
	28	28" Deep Freestanding Pedestal	-	-	\$0
2 Combination	BBF	Box/Box/File	\$530	\$538	\$586
	FFX	File/File	\$497	\$510	\$546



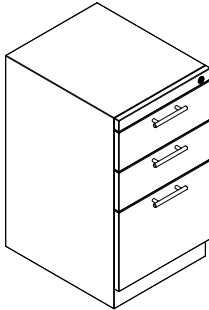
TN-FP-19FFX

List Price - \$497

Nominal Size - 15" W x 19" D x 28" H

Actual Footprint - 15-1/4" W x 18-7/8" D x 27-3/4" H

Combination - File/File



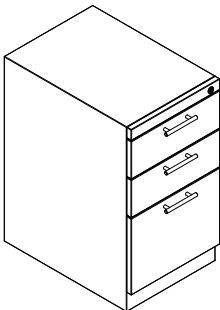
TN-FP-19BBF

List Price - \$530

Nominal Size - 15" W x 19" D x 28" H

Actual Footprint - 15-1/4" W x 18-7/8" D x 27-3/4" H

Combination - Box/Box/File



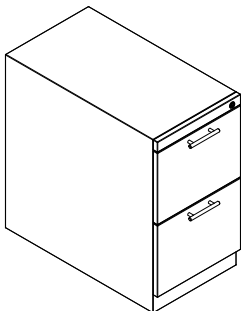
TN-FP-22BBF

List Price - \$538

Nominal Size - 15" W x 28" D x 28" H

Actual Footprint - 15-1/4" W x 27-7/8" D x 27-3/4" H

Combination - Box/Box/File



TN-FP-28FFX

List Price - \$546

Nominal Size - 15" W x 28" D x 28" H

Actual Footprint - 15-1/4" W x 27-7/8" D x 27-3/4" H

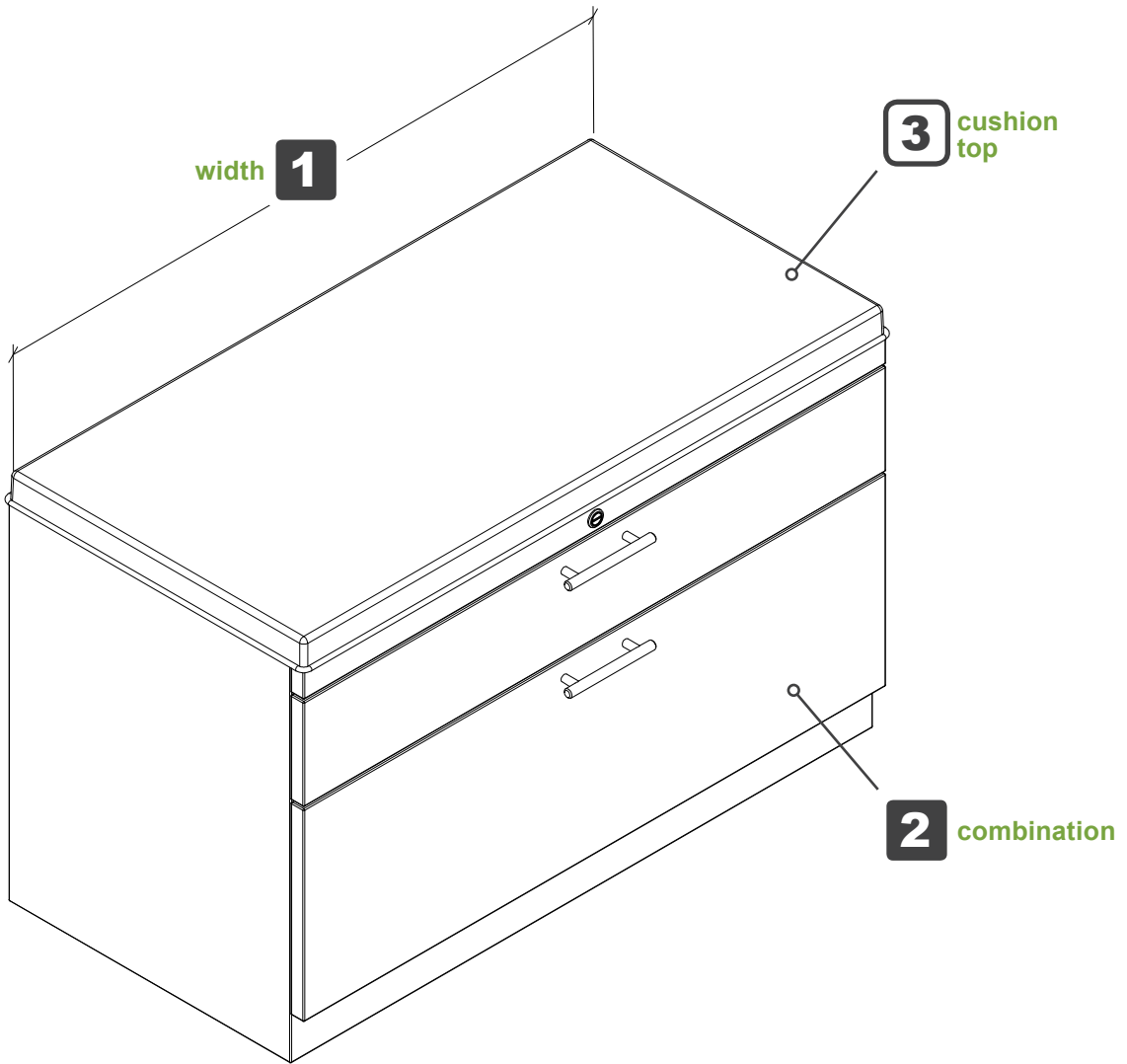
Combination - File/File

Titan Storage

Lateral | Build Guide

Use the following guide to **determine the catalog number** for your Titan lateral unit by **selecting your choice** from the available options. To **determine your list price**, add all prices for your selected items from the table to the right.

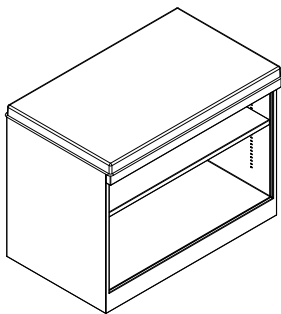
TN - LA - **1** **2**
width combination



Unit Shown TN-LA-36BFX-C-G1

List Price \$1,258

Required Selections					
Component	Code	Description	30" Wide	36" Wide	42" Wide
1 Width	30	30" Wide Lateral	\$0	-	-
	36	36" Wide Lateral	-	\$0	-
	42	42" Wide Lateral	-	-	\$0
2 Combination	BFX	Box/File	\$820	\$873	\$954
	OXX	Open Shelf	\$651	\$719	\$784
Available Upgrades					
Component	Code	Description	30" Wide	36" Wide	42" Wide
3 Cushion Top	-C	Cushion Top	\$349	\$385	\$421
4 Fabric Grade	-COM	Customers Own Material	\$0	\$0	\$0
		fabric requirements:	1 yard	1 yard	1 yard
	-G1	Grade 1	\$0	\$0	\$0
	-G2	Grade 2	\$31	\$31	\$31
	-G3	Grade 3	\$62	\$62	\$62
	-G4	Grade 4	\$92	\$92	\$92
	-G5	Grade 5	\$123	\$123	\$123
	-G6	Grade 6	\$154	\$154	\$154
	-G7	Grade 7	\$185	\$185	\$185
-G8	Grade 8	\$215	\$215	\$215	



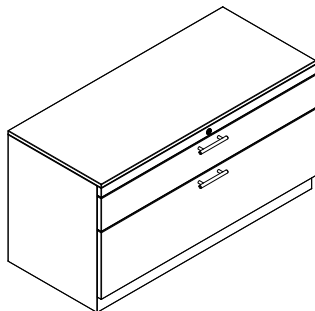
TN-LA-30OXX-C-G1

List Price - \$1,000

Nominal Size - 30" W x 18" D x 23" H

Actual Footprint - 30" W x 18-1/4" D x 23-1/2" H

Combination - Open Shelf



TN-LA-42BFX

List Price - \$954

Nominal Size - 42" W x 18" D x 23" H

Actual Footprint - 42" W x 18-1/4" D x 22-5/8" H

Combination - Box/File

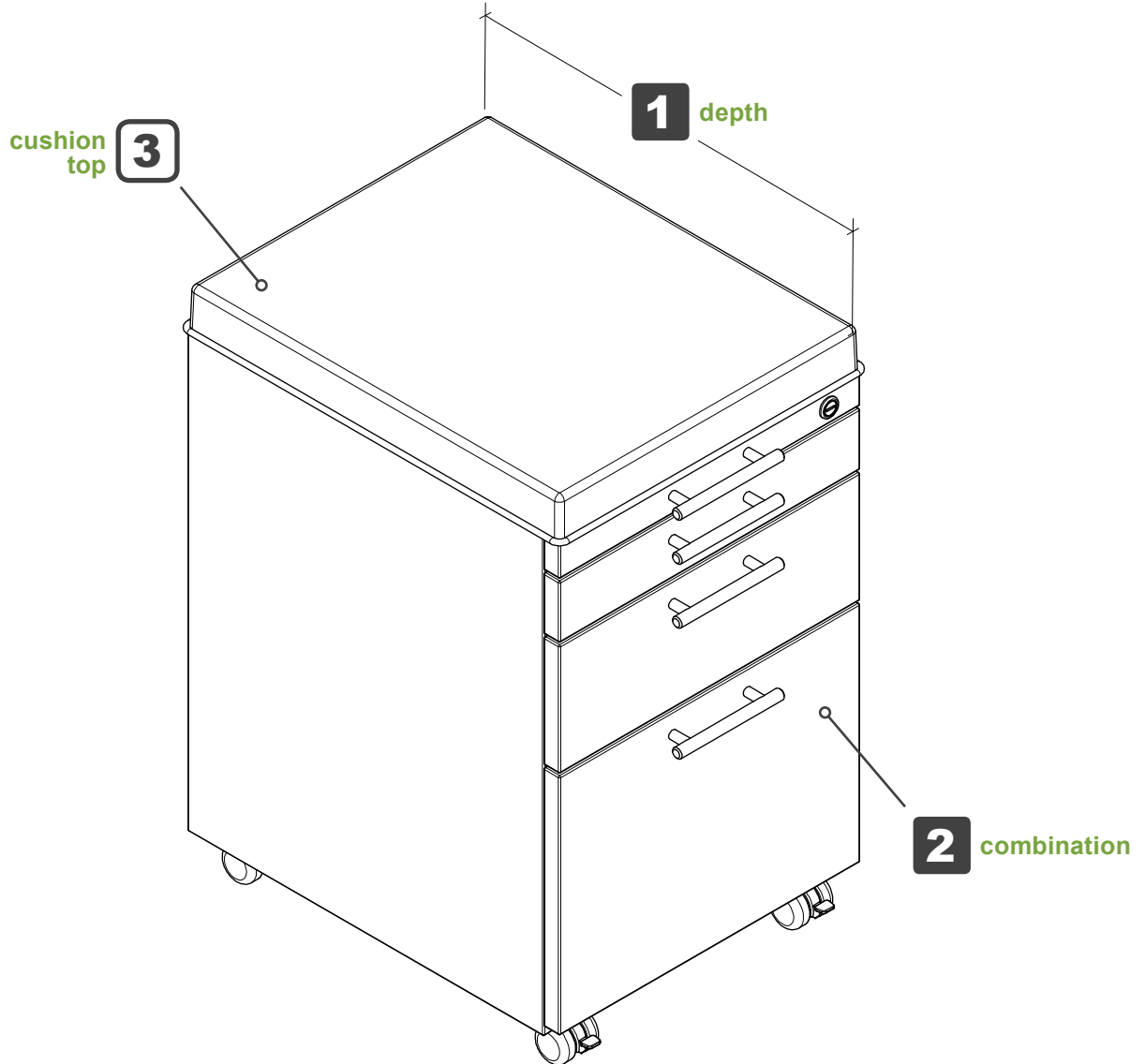
Titan Storage

Mobile Pedestal | Build Guide

Use the following guide to **determine the catalog number** for your Titan mobile pedestal by **selecting your choice** from the available options. To **determine your list price**, add all prices for your selected items from the table to the right.

TN - MP - **1** **2**

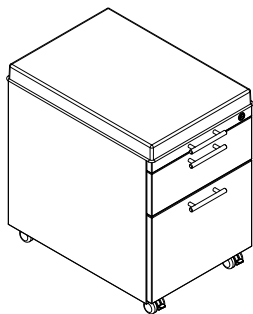
depth combination



Unit Shown TN-MP-19PBF-C-G1

List Price \$824

Required Selections						
Component	Code	Description	19" Deep	22" Deep	28" Deep	
1 Depth	19	19" Deep Mobile Pedestal	\$0	-	-	
	22	22" Deep Mobile Pedestal	-	\$0	-	
	28	28" Deep Mobile Pedestal	-	-	\$0	
2 Combination	BBF	Box/Box/File	\$493	\$534	\$594	
	BFX	Box/File	\$457	\$473	\$525	
	FFX	File/File	\$469	\$477	\$562	
	PBF	Pencil/Box/File	\$566	\$590	\$651	
Available Upgrades						
Component	Code	Description	19" Deep	22" Deep	28" Deep	
3 Cushion Top	-C	Cushion Top	\$258	\$258	-	
	-Cushion top not available for Box/Box/File (BBF) or File/File (FF) units					
4 Fabric Grade	-COM	Customers Own Material	\$0	\$0	-	
			fabric requirements:	1 yard	1 yard	N/A
	-G1	Grade 1	\$0	\$0	-	
	-G2	Grade 2	\$31	\$31	-	
	-G3	Grade 3	\$62	\$62	-	
	-G4	Grade 4	\$92	\$92	-	
	-G5	Grade 5	\$123	\$123	-	
	-G6	Grade 6	\$154	\$154	-	
	-G7	Grade 7	\$185	\$185	-	
-G8	Grade 8	\$215	\$215	-		



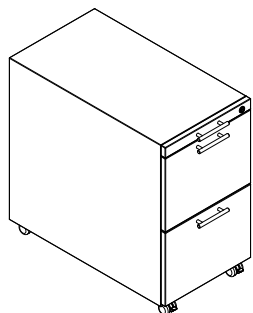
TN-MP-22BFX-C-G1

List Price - \$731

Nominal Size - 15" W x 22" D x 22" H

Actual Footprint - 15-1/4" W x 21-7/8" D x ?" H

Combination - Box/File



TN-MP-28FFX

List Price - \$562

Nominal Size - 15" W x 28" D x 27" H

Actual Footprint - 15-1/4" W x 27-7/8" D x ?" H

Combination - File/File

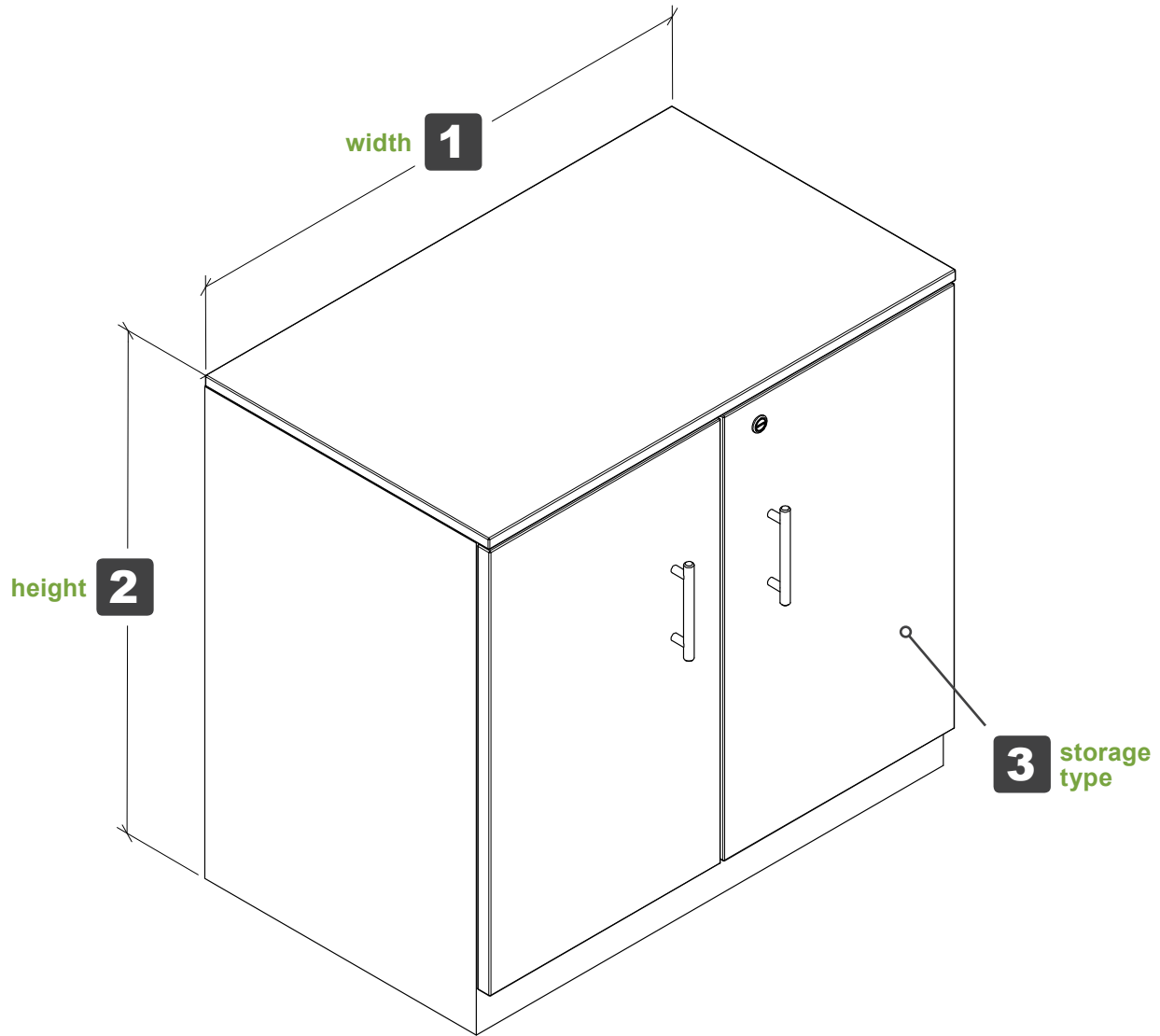
Titan Storage

Storage Cabinet | Build Guide

Use the following guide to **determine the catalog number** for your Titan storage cabinet by **selecting your choice** from the available options. To **determine your list price**, add all prices for your selected items from the table to the right.

TN - SC - **1** **2** - **3**

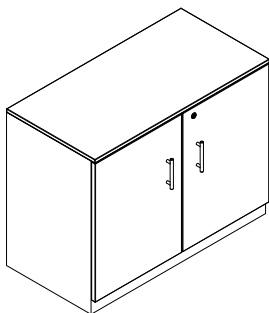
width height storage type



Unit Shown TN-SC-3029-DR

List Price \$909

Required Selections					
Component	Code	Description	30" Wide	36" Wide	42" Wide
1 Width	30	30" Wide Storage Cabinet	\$0	-	-
	36	36" Wide Storage Cabinet	-	\$0	-
	42	42" Wide Storage Cabinet	-	-	\$0
2 Height	29	29" High, 1 Adjustable Shelf	\$909	\$990	\$1,095
	40	40" High, 2 Adjustable Shelves	\$1,107	\$1,236	\$1,317
	52	52" High, 3 Adjustable Shelves	\$1,361	\$1,483	\$1,584
	66	66" High, 4 Adjustable Shelves	\$1,640	\$1,725	\$1,858
3 Storage Type	DR	Locking Doors	\$0	\$0	\$0



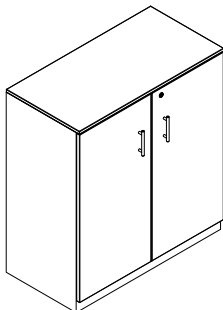
TN-SC-3629-DR

List Price - \$990

Nominal Size - 36" W x 18" D x 29" H

Actual Footprint - 36" W x 18-1/4" D x 28-3/8" H

Storage Type - Locking Doors



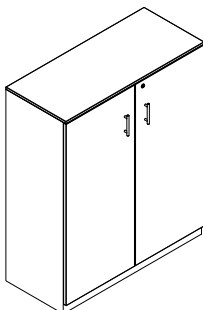
TN-SC-3640-DR

List Price - \$1,236

Nominal Size - 36" W x 18" D x 40" H

Actual Footprint - 36" W x 18-1/4" D x 39-3/8" H

Storage Type - Locking Doors



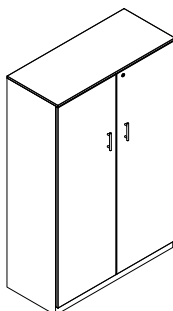
TN-SC-4252-DR

List Price - \$1,584

Nominal Size - 42" W x 18" D x 52" H

Actual Footprint - 42" W x 18-1/4" D x 51-3/8" H

Storage Type - Locking Doors



TN-SC-4266-DR

List Price - \$1,858

Nominal Size - 42" W x 18" D x 66" H

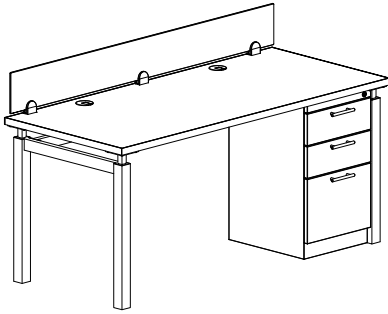
Actual Footprint - 42" W x 18-1/4" D x 65-7/8" H

Storage Type - Locking Doors

Titan

Titan | Popular Combinations

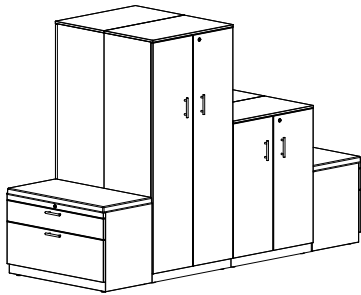
The following products are **suggested combinations for Titan and other LIAT product**. The catalog number, description, actual footprint, and list prices are all provided. The items can be used exactly as-is, as a starting point for budgetary purposes, or simply as examples. Contact project management for any further information.



TN-PC01-01

- (1) VS-DK-3066SS-29-I-SO-MM-AR
- (1) TN-FP-19BBF
- 1-Person combination

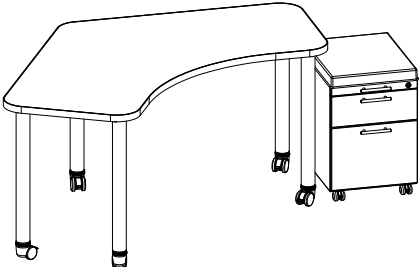
List Price - \$3,088



TN-PC01-02

- (2) TN-SC-3066-DR
- (2) TN-SC-3040-DR
- (2) TN-LA-36BFX-C-G1

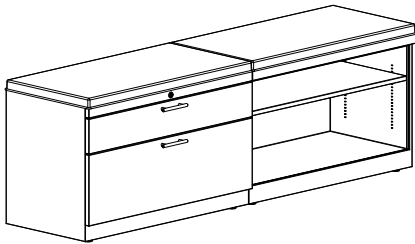
List Price - \$8,010



TN-PC01-03

- (1) PA-ST-2472P-29-SG-5CA
- (1) TN-MP-19BFX-C-G1
- 1-Person combination

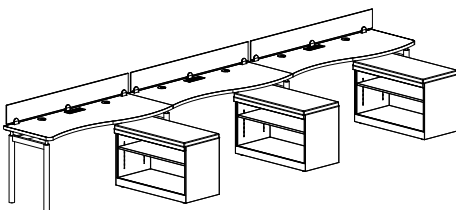
List Price - \$889



TN-PC02-01

- (1) TN-LA-36OXX-C-G1
- (1) TN-LA-36BFX-C-G1

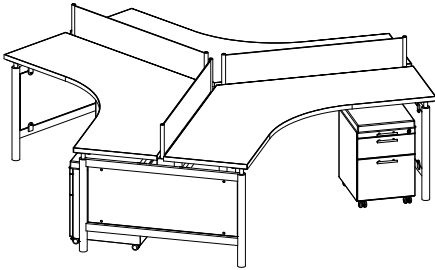
List Price - \$2,362



TN-PC03-01

- (1) VS-DK-2472SW-29-S-RO-MM-AR-AZ
- (1) VS-DK-2472SW-29-A-RO-MM-AR-AZ
- (1) VS-DK-2472SW-29-E-RO-MM-AR-AZ
- (3) TN-LA-36OXX-C-G1
- 3-Person combination

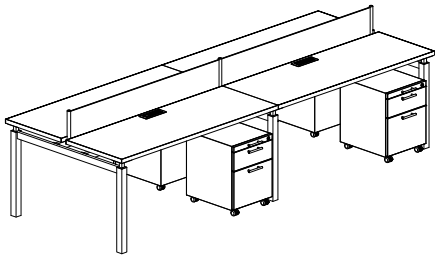
List Price - \$11,634



TN-PC03-02

- (1) VS-DK-4892XP-29-I-RA-MM-AR
- (3) TN-MP-19BFX-C-G1
- 3-Person combination

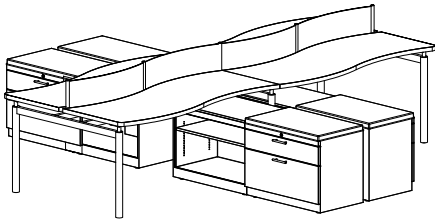
List Price - \$14,046



TN-PC04-01

- (1) VS-DK-4860XS-29-S-SO-MM-AR-AZ
- (1) VS-DK-4860XS-29-E-SO-MM-AR-AZ
- (4) TN-MP-19BFX
- 4-Person combination

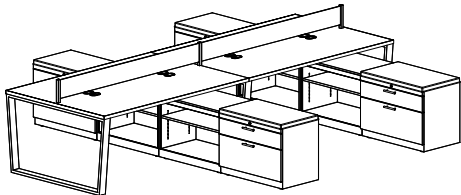
List Price - \$9,113



TN-PC04-02

- (1) VS-DK-4872XW-29-S-RO-MM-AR
- (1) VS-DK-4872XW-29-E-RO-MM-AR
- (4) TN-LA-30OXX
- (4) TN-LA-30BFX-C-G1
- 4-Person combination

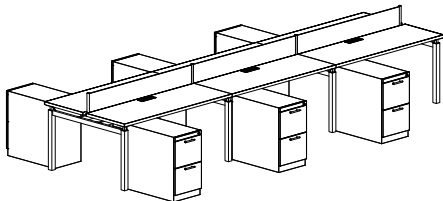
List Price - \$15,750



TN-PC04-03

- (1) TR-DK-4872S-29-E-OF-MM-AR
- (1) TR-DK-4872S-29-S-OF-MM-AR
- (4) TN-LA-30OXX
- (4) TN-LA-30BFX-C-G1
- 4-Person combination

List Price - \$13,393



TN-PC06-01

- (1) VS-DK-4872XS-29-S-SO-MM-AR-AZ
- (1) VS-DK-4872XS-29-A-SO-MM-AR-AZ
- (1) VS-DK-4872XS-29-E-SO-MM-AR-AZ
- (6) TN-FP-28FFX
- 6-Person combination

List Price - \$14,270

Terms and Conditions

Titan Terms and Conditions

The following terms & conditions apply to all LIAT, LLC products.

1. ACCEPTANCE, MODIFICATION, ASSIGNMENT: By placing this order for furniture, material or other products (sometimes collectively referred to as "Goods"), Customer agrees to these Terms and Conditions which shall prevail over inconsistent provisions in any other form or document of Customer. No change or modification shall be applicable unless set forth in writing and signed by Company. Neither this order nor any interest therein shall be assigned by Customer except with the prior written consent of Company.

2. PRICING: LIAT, LLC assumes no responsibility for the quantities or the interpretation of competitive product. Pricing is based on standard LIAT furniture including standard construction, materials, finishes and sizes. Unit prices shall prevail. Pricing subject to change without notice. Prices are those in effect at the time of order entry.

3. PAYMENT: Customer agrees to pay deposit or down payment as required by Company. Customer agrees to pay to Company the amount indicated on the Invoice, 1% 15 days, net 30 days from date of Invoice (U.S. Funds only), for Goods ordered. **INTEREST WILL BE CHARGED AFTER 30 DAYS FROM THE DATE OF INVOICE AT THE RATE OF ONE AND A HALF PERCENT (1.5%) PER MONTH.** International sales will require additional payment arrangements. No Goods shall be sold on consignment or conditional sales basis. Payment for the Goods delivered hereunder shall constitute acceptance thereof.

4. DELIVERY: The specific terms of delivery are as stated on the sales order acknowledgment. Goods which are delivered in advance of schedule are delivered at the risk of Customer. The Company is not liable for delays or failure to ship due to fire, strike, act of God, the public enemy or other causes beyond the control of the Company. With respect to LIAT, LLC, all shipments which are F.O.B. Factory or Delivered, LIAT, LLC reserves the right to select the appropriate carrier. Special requests including, but not limited to, inside delivery, installation, and call before delivery are not included in the price. Any charges arising from failure to meet shipment, rerouting while in transit, or carrier storage charges are the responsibility of the Customer.

*LIAT product is shipped knocked down. Assembly in the field is required.

5. CARE AND MAINTENANCE: To maintain your LIAT product for years of use, please follow these care and maintenance guidelines:

Wood Care and Maintenance: Use a damp, lint free cotton cloth for general dusting. Work with the grain of the wood.

Laminate Tops: Laminates may be cleaned using a damp cloth and mild soap.

Marmoleum Tops: Marmoleum can be maintained by dry or wet maintenance systems. For detailed product specifications or maintenance information, contact Forbo Industries Support Services at 1-800-842-7839 or visit their website www.forbo-industries.com.

Metal Finishes: Mix a solution of liquid soap and warm water. Saturate a clean cloth with this mixture. Wipe down metal then dry completely.

Acrylic Products: Use only products specifically recommended for cleaning acrylic, or a mild solution of dish detergent and warm water. Do **NOT** use any cleaner containing ammonia to clean your acrylic products. Do **NOT** use a dry cloth or your hand to clean the acrylic - this will rub the dirt and dust into the acrylic and can scratch the surface.

Fabric Care: The ability to be cleaned will vary based on the type of fabric. For best results, a professional service is recommended. Dirt and crumbs may be gently brushed or vacuumed off. Spill should be wiped up immediately with a cloth. If upholstery has been protected with Scotchgard or Zepel, the coating should be re-applied yearly. Vinyl textiles can be cleaned with warm soapy water and then wiped down with a warm damp cloth.

6. CLAIMS. All shipments are delivered to the carrier in good condition and

Company's liability ceases after acceptance by carrier. If shipment arrives short or damaged, the Customer must file a claim immediately with the carrier. In the event of concealed damage, notify carrier and request an immediate inspection. Keep all cartons and packing material. Failure to file claim within 15 days after receipt of Goods constitutes acceptance and a waiver of any such claims

7. DISCLAIMER OF WARRANTIES: The express warranties below are the Company's sole warranties of its Goods, there are no understandings, agreements, representations, or warranties, express or implied (including any regarding the merchantability or fitness for a particular purpose), not specified herein, respecting the Goods. Except for those obligations of the Company identified in these Terms and Conditions, all risks related to the quality and performance of the Goods and responsibility for repair or service costs rests solely on the Customer. Company reserves the right to limit the applicable warranty to the Goods depending upon the division or catalogue through which said Goods were sold. Some states do not allow limitations on implied warranties, limitations on how long an implied warranty lasts, or the exclusion or limitation of incidental or consequential damages, so the above limitations may not apply to all Customers. This warranty gives the Customer specific legal rights, and each Customer may also have other rights which vary from state to state.

8. EXPRESS WARRANTIES: The express warranties of the Company are as follows:

LIAT, LLC

LIAT, LLC WARRANTS TO THE ORIGINAL PURCHASER THAT EACH CASEGOOD WILL BE FREE FROM DEFECTS IN WORKMANSHIP GIVEN NORMAL USE FOR A PERIOD OF TWENTY (20) YEARS OF SINGLE SHIFT SERVICE. LIAT WARRANTS THEIR SEATING PRODUCTS TO THE ORIGINAL PURCHASER THAT EACH PIECE OF FURNITURE WILL BE FREE FROM DEFECTS GIVEN NORMAL USE FOR FIVE (5) YEARS. LIAT, LLC WILL, AT ITS OPTION, REPAIR OR REPLACE ANY DEFECTIVE FURNITURE WITHIN THE TERMS OF THE WARRANTY. THIS WARRANTY DOES NOT APPLY TO DAMAGE RESULTING FROM ACCIDENT, ALTERATION, OR MISUSE. ALL LIAT ELECTRICAL COMPONENTS AND ACCESSORIES ARE WARRANTED TO THE EXTENT OF THE ORIGINAL MANUFACTURER.

Goods other than furniture are sold by Company to Customer without warranty.

9. ATTORNEYS' FEES: Customer shall be responsible for all expenses and costs in connection with the enforcement by Company of these Terms and Conditions and the costs of collection (including the fees of any collection agencies to whom the Customer's account may be referred), plus reasonable attorneys' fees (which attorneys' fees shall not be less than 25% of the amount due, unless a lower amount is specified by applicable law).

10. CANCELLATION: All cancellations must be made in writing. Administrative and/or labor charges may be incurred by the Customer depending upon the production stage of the order. Orders specifying special finish cannot be cancelled once finishing has begun. Cancellations cannot be accepted once final production has begun.

11. ORDER CHANGES: All changes to an order must be made in writing and are subject to Company's ability to conform. Administrative and/or labor charges may be incurred by the Customer depending upon the production stage of the order. Once final production has begun, no changes can be accepted.

12. REMEDIES: The remedies herein reserved shall be cumulative, and additional to any other or further remedies provided in law or equity. No waiver of a breach of any provision of these Terms and Conditions shall constitute waiver of any other breach or of such provision.

13. INSOLVENCY: Company may forthwith cancel this order in the event of the happening of any of the following or any other comparable event: insolvency of the Customer, the filing of a voluntary petition in bankruptcy, the filing of any involuntary petition to have Customer declared bankrupt provided it is not vacated within thirty (30) days from the date of filing, the appointment of a receiver or trustee for Customer provided such appointment is not vacated within thirty (30) days from the date of such appointment, or the execution by Customer of an assignment for the benefit of creditors.

14. LIMITATION OF LIABILITY: The Company shall not under any circumstances be liable to the Customer, owner of the Goods or any third party for special, indirect, incidental, or consequential damages, including, without limitation, loss of profits or revenues, loss or damage to other property or equipment, cost of capital or of purchased or replacement goods, or expense, delay or inconvenience caused by or arising from the purchase, sale, use, repair or inability to use the Goods or by any performance or non-performance under, or breach of, these Terms and Conditions. The Company's sole liability for any defective Goods shall be its repair or its replacement pursuant to the Express Warranties set forth above, or if amended, as applicable at the time of manufacture or repair of the Goods. Some states do not allow the exclusion or limitation of incidental or consequential damages, so the above limitations or exclusion may not apply to all Customers. Any action resulting from any breach on the part of Company as to the Goods or services delivered hereunder must be commenced within one year after the cause of action has occurred.

15. RETURNS AND ALLOWANCES: Reasonable touch-up and deluxing is the dealer's responsibility. The Company will not make allowances for trip or delivery charges, but will only make allowance for actual work performed to correct manufacturing defects. Allowances may be authorized only by a Company officer. It is the responsibility of the field sales representatives to inspect any defective merchandise and make suggestions and recommendations as to the proper disposition. Field personnel cannot obligate or bind the Company by definite agreement, without final authorization by a Company officer. Company will not accept automatic charge backs which do not have prior authorization. All defects must be called to the Company's attention upon arrival at the Customer's "Ship To" destination. To initiate any type of claim or request for parts, it is imperative to have the model number or fabric number, which may be located on the tag attached to the frame of the unit. Authorization for return to the Company for any reason must be issued by the Company via a Return Goods Authorization. Any authorized returns not due to damage or defect will be assessed a 30% restocking charge and all return freight charges must be prepaid. Company will not issue credit allowances for any repairs without Company's prior consent. Under no circumstances shall the Company accept COD (Cash on Delivery) returns, and any such shipment will be refused.

16. SECURITY AGREEMENT: The Company may require and Customer shall grant a security interest in Goods sold pursuant to any credit the Company may extend to the Customer.

17. GOVERNING LAW: All disputes between the parties, whether or not arising out of these Terms and Conditions, will be governed by the laws of the State of North Carolina. Customer agrees to submit to the jurisdiction of and agrees all lawsuits relating to any disputes between the Customer and the Company will be brought only in a state court located in Dubois County, North Carolina or the United States District Court for the Southern District of

North Carolina. THE CUSTOMER HEREBY WAIVES THE RIGHT TO A TRIAL BY JURY IN ANY ACTION, PROCEEDING, CLAIM, OR COUNTERCLAIM WHETHER IN CONTRACT OR TORT, AT LAW OR IN EQUITY, ARISING OUT OF OR RELATING IN ANY WAY TO THESE TERMS AND CONDITIONS AND ALL OTHER DISPUTES BETWEEN THE PARTIES.

18. MITIGATION: If the Company repossesses the Goods prior to payment by the Customer of all amounts due hereunder, the Company may sell the Goods, AS IS, WHERE IS, free and clear of all rights of the Customer at either public or private sale, and apply the net proceeds (after deducting expenses of repossession and sale) to the obligation of Customer hereunder. The Customer shall remain liable for any deficiency. THE COMPANY MAY DISPOSE OF THE GOODS IN ANY COMMERCIALY REASONABLE PLACE AND MANNER AND THE CUSTOMER WAIVES ANY NOTICE OF TIME, PLACE AND MANNER OF SALE.

19. INTEGRATION: This order for Goods, including these Terms and Conditions, along with any Credit Application, Invoice, Statement, Dealer Contract, Acknowledgment, Bill of Lading (and any exhibits, addenda or amendments thereto) of which this order may be a part, constitutes the sole and complete agreement between the Company and the Customer with respect to the purchase of the Goods.

20. DIMENSIONS/SPECIFICATIONS/FINISHES: All dimensions are approximate and may vary due to the upholstery technique of each craftsman. If exact dimensions are required, it is necessary for the Customer to state such specifications with the order. Detailed specification sheets are available for each series of Goods, and Customer should consult the Company's Customer Service Department for these specification sheets. Company reserves the right to make changes in dimensions, style, or specifications if Company believes these changes will improve the Goods' quality or appearance. Company reserves the right to substitute hardwoods due to availability at production. Due to the natural characteristics of wood, environmental effects, and material upgrades, the Company cannot guarantee exact finish matches on existing Goods previously ordered from Company. If an exact match to Customer's existing Goods are required, it must be specified so that the proper procedures can be followed to ensure an acceptable finish. Company will accept no liability for the finish if this procedure is not followed. Company reserves the right to make changes in a finish formula if Company believes the change will improve the quality or appearance of Company's Goods.

21. ACKNOWLEDGEMENT: All orders will be acknowledged promptly, showing how the order was entered, the approximate shipping time and other pertinent information. It is the Customer's obligation to examine this acknowledgment carefully and notify Company immediately of any discrepancies. Every reasonable effort is made to ship as acknowledged, however, the acknowledged ship date is approximate. Company will generally ship within five (5) working days of the acknowledged ship date. If a firm ship date is necessary, Customer must inform Company at time of order and Company will make all reasonable efforts to meet each Customer's request. Acknowledged shipping dates are contingent upon the force majeure conditions contained in these Terms and Conditions.

22. COMPANY'S PERFORMANCE OF ITS OBLIGATIONS: The production and delivery of the Goods to the extent delayed or hindered or prevented from the performance by reason of natural disasters, acts of God, strikes, lockouts, labor troubles, inability to procure materials, casualties, failure of power, restrictive governmental laws or regulations, riots, insurrection, acts of terrorism, war or other reason of a like nature not the fault of the Company shall excuse for the period of the delay the Company's performance and the period for the performance shall be extended for a period equivalent to the period of such delay.

GSA Terms and Conditions

Contractor: LIAT LLC, dba Jasper Library Furniture
Business Size: Small Business
Cage Code: 6BHB5
Contract Number: GS-28F-004AA
Contract Period: 10/10/12 thru 10/09/17

694 North Main Street
Troutman, NC 28166
Phone: 888.440.8205
Fax: 704.528.6519
Web Site: www.liatfurniture.com
E-mail: blish@liatfurniture.com
Contract Administration: Brian Lish

- 1a. Item Description: Furniture Systems and Workstation Clusters Special Item Numbers (SIN) Awarded: SIN 71-305 Library Furniture
2. Maximum Order: \$100,000.00 net
3. Minimum Order: \$100.00 net
4. Geographic Coverage: 48 Contiguous States, including the District of Columbia, Alaska, Hawaii, and Puerto Rico.
5. Point of Production: Same as company address
6. Discount: 58.5% off of list price (inclusive of IFF)
7. Quantity Discounts: None
8. Prompt Payment Terms: 1% discount for payments received in less than 20 days.
- 9a. Government Commercial Credit Card: Government commercial credit cards (Visa & MC) are not accepted.
- 9b. Discount for Government Credit Card: N/A
10. Foreign Items: None
- 11a. Time of Delivery: 6 to 8 weeks.
- 11b. Expedited Delivery: Negotiated on an order by order basis.
- 11c. Overnight and 2-Day Delivery: Contact contractor for availability and additional shipping charges.
- 11d. Urgent Requirements: Available upon request.
12. F.O.B Point: Destination

- 13a. Ordering Address: Same as Contractor
14. Payment Address: Same as company address.
15. Warranty Provisions: LIAT warrants their casegoods to the original purchaser that each piece of furniture will be free from defects in workmanship given normal use for a period of twenty years. LIAT will, at its option, repair or replace any defective merchandise within the terms of the warranty. LIAT warrants their seating products to the original purchaser that each piece of furniture will be free from defects in workmanship given normal use for five years. The casegoods and seating warranties do not apply to damage resulting from accident, alteration, or misuse. All LIAT electrical components and accessories are warranted to the extent of the original manufacturer.
16. Export Packing Charges: N/A
17. Terms and Conditions of Government Commercial Credit Card Acceptance: N/A
18. Terms and Conditions of rental, maintenance, and repair: N/A
19. Terms and Conditions of Installation: Negotiated on a case by case basis with the participating dealer.
20. Terms and Conditions of Repair Parts: N/A
21. List of Service and Distribution Points: N/A
22. Participating Dealer: Contact LIAT for a list of participants.
23. Preventative Maintenance: N/A
- 24a. Environmental Attributes: N/A
25. Data Universal Numbering System (DUNS) number: 038281451
- 26: Notification regarding registration in Central Registration (CCR) database: Registered

LIAT 

design the furniture. *innovate* the space. *engage* the users.

liatfurniture.com

694 North Main Street · Troutman, NC 28166
TF 888 440 8205 · F 704 528 6519