

the adaptable
Tahoe

Specification & Pricing Guide

version 2.01

1/1/2017



Table of Contents

Ordering Information

Ordering Information Checklist	4
--------------------------------------	---

Specifications Guide

Textiles.....	6
Lounge.....	6
Occasional Tables	6
Graded-In Fabrics & Textiles	8
LIAT Shipping Zones	16
Shipping Pricing Guide.....	16
Pricing Guide Tutorial	18
Straight (Upholstered Backs Build Guide	22
Straight (Upholstered Backs) Pricing Guide.....	23
Straight (No Backs) Build Guide.....	24
Straight (No Backs) Pricing Guide.....	25
Curved (Upholstered Backs) Build Guide.....	26
Curved (Upholstered Backs) Pricing Guide.....	27
Curved (No Backs) Build Guide.....	28
Curved (No Backs) Pricing Guide.....	29
Other (No Backs) Build Guide	30
Other (No Backs) Pricing Guide	31
Straight Build Guide.....	34
Straight Pricing Guide.....	35
Top Cushion Build Guide	36
Top Cushion Pricing Guide	37
Fabric Panel Build Guide.....	38
Fabric Panel Pricing Guide.....	39
Tahoe Popular Combinations	40

Accessories

Tahoe Accessories.....	44
------------------------	----

Terms and Conditions

Tahoe Terms and Conditions	46
GSA Terms and Conditions	48

Ordering Information

Ordering Information Checklist

Use this checklist to be sure you have all of the necessary information to order your Tahoe unit.

Catalog Number

Use our build guides to create your Tahoe catalog number.

Wood Species

Oak

Maple

Wood Finish

Maple

Amber Cherry | ACM

Amber Maple | AMM

Carmel Maple | CMM

Dark Mahogany | DMM

Light Cherry | LCM

Medium Cherry | MCM

Medium Mahogany | MMM

Medium Walnut | MWM

Natural Maple | NMM

Montana Walnut | OWM

Versailles Anigre | VAM

Oak

Dark Mahogany | DMO

Golden Oak | GOO

Light Cherry | LCO

Medium Oak | MOO

Medium Cherry | MCO

Medium Walnut | MWO

Medium Mahogany | MMO

Natural Oak | NOO

Color Stain

Blue

Green

Orange

Red

Yellow

Fabrics & Textiles

Please specify manufacturer, fabric, color, and product number.

Accessories

Specifications Guide

Textiles

Textile Programs

LIAT Furniture has partnered with C.F. Stinson and Mayer to provide graded in programs. Grades and availability of fabrics and textiles are subject to change without notice. These changes could include but are not limited to price increases, discontinued patterns, discontinued colors, etc.

See liatfurniture.com for updated information.

COM

All COM yardage requirements are based upon 54" plain non-directional material. Additional yardage will be required for repeats of fabric less than 54" wide.

Contact project management for yardage requirements.

Fabric Applications

All stripes will be applied vertically unless specified otherwise. Patterned fabrics will be applied at our discretion unless special instructions are included with the order.

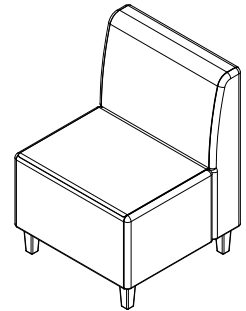
Lounge

Lounge

The lounge frames shall be constructed of 7/8" plytanium with locking dog bone joint construction that is then glued and stapled.

The seat is strapped with 3" Dymetrol Elastic Webbing and 3" thick cut soy-based foam with a 1/2" Dacron topper.

The backs are constructed with 2" Dymetrol Elastic Webbing and 2" thick cut soy-based foam.

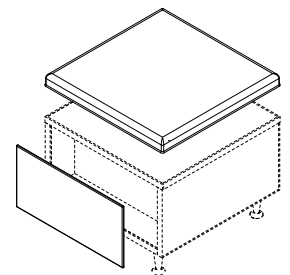


Occasional Tables

Occasional Tables

The occasional tables shall be constructed of 1" thick veneer core with grade "A" plain sliced veneer faces with an eased 1/4" solid hardwood external band on all visible edges. There shall be an inset panel on either side of the table. All table parts shall be grooved, cleated, and glued together.

Tables are available with wood "-WL" or metal "-ML" legs.



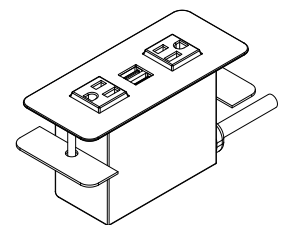
Top Cushion & Fabric Inset Panel

The top cushion and fabric inset panels shall attach to the occasional tables by means of dual-lock tape.

Electrical / Power

The standard built-in power upgrade option shall be an all metal flush clamp mounted power and charging solution with 2 power and 2 USB 2.1A charging ports and a 108" cord length, constructed with 12A, 120 VAC spill resistant receptacles.

Power units are available in Silver Pearl (-S), Gloss White (-W), and Black Powder Coat (-B).



Graded-In Fabrics & Textiles



FABRIC	GRADE
Align	2
Artistry	1
Ascension	5
Aurora	5
Avenue	4
Banner	1
Bar None	4
Batik	2
Bella	4
Boteh	7
Bungalow	4
Burst	3
Camelot	3
Canvas	4
Catalyst	2
Cavalier	1
Charade	4
Circuit	5
Circumference	5
Collage	6
Component	2
Continuum	1
Cross Check	1
Dapper	1
Daydream	3
Dazzle	3
Destiny	2
Destiny plus DuraBlock™	3
Detail	4
Duraweave® 10	1
Echo	3
Ecosphere	4
Element	2
Encore	5
Equation	2
Equinox	3
Erode	6
Esprit	3
Essex	2
Europa	3

Evolve	5
Facets	5
Factor	2
Fantasy	5
Figure Eight	2
Flock	6
Flower Power	2
Focal Point	2
Forte	1
Foundation 10	1
Genesis	2
Genesis plus DuraBlock™	3
Glee	2
Groundworks	4
Haberdash	2
Hoopla	2
Impulse	2
In The Groove	3
Infinity	4
Intrigue	2
Jenga	3
Jubilee	2
Juncture	7
Karma	4
Kismet	4
Locomotion	2
Lunar	2
Madras	2
Mandala	7
Marquise	2
Marvel	4
Matrix	5
Maze	4
Meander	2
Monogram	3
Moonscape	2
Mosaic	2
Mosaic plus DuraBlock™	3
Motif	4
Myriad	4
Mystic	2

Nuance	4
Nylon-Stat ESD	4
Optic	1
Orbit	3
Patio	2
Pinnacle	2
Plaza	3
Portal	3
Prism	1
Pulse	5
Quattro	1
Rapport	2
Reiki	5
Relic	6
Reverb	2
Rhythm	5
Ritz	2
Sequel	1
Sequel plus DuraBlock™	2
Shantung	2
Sherlock	2
Soleil	5
Solid Ground	4
Sophisticate	2
Source	2
Source plus DuraBlock™	3
Spacer Mesh	1
Spotlight	4
Synapse	5
Theory	1
Twister	3
Valet	2
Variant	1
Venue	2
Vibrant	3
Vogue	3
Wildflower	5
FAUX LEATHER	GRADE
Antique	3
Berkshire	3
Bolero	3

Caressa FR	2
Caressa Suede	2
Cascade	3
Cayman	4
Cork	4
Counterpoint	3
Durango	2
Emu	1
Florentino	1
Glimmer	4
Hombre	4
Jekyll & Hyde	3
Kobe	1
Komodo	2
Laredo	4
Longhorn	3
Makore	4
Maverick	2
Melody	4
Milano	2
Outback	2
Palermo	3
Patent	4
Phoenix	2
Quark	5
Ranchero	1
Rift	3
Shimmer	4
Verona	2
LUCIA CASA	
LUCIA CASA	GRADE
Array	3
Awakening	7
Botanica	4
Convergence	6
Empire	7
Enigma	6
Illusion	6
Ottoman	4
Paradigm	5
Pavilion	5
Sakura	6

Sashiko	6
Stratosphere	7
Tangled Web	5
Turnabout	5
Venetian	CALL
Vintage Mohair	CALL
Volante	CALL
STU-ART	
STU-ART	GRADE
Eleanor Rigby	4
Hole In One	4
Hopsack	4
Rock & Roll	4
Stop & Go	4
VINYL	
VINYL	GRADE
All Seasons FR	2
All Use FR	1
Apex	2
Athens FR	2
Atomic	2
Blocks	2
Chaps FR	2
Charette	2
Contempo	2
Crystals	3
Curlicue	2
Dakota	2
Dande	2
Dublin Tweed FR	2
Entwine	2
Finesse	2
Gala	3
Guardian	2
Heather FR	2
Images	2
Interlace	3
Interlochen	2
Key Largo	2
Linen	2
Links	2
Madrid SP Black	1

Microdot	2
Oxen SP Black	1
Peerless	2
Pinehurst	2
Prado	2
Punch	2
Sequence	2
Sierra SP Black	1
Silk Screen	2
SilverWeave	2
Skate	3
Sketch	2
Slick	2
Spirograph	3
Toss Up	2
Tributary	2
Tussah	2
Uptown	2
Vinyl Stat ESD	3
Wallaby SP Black	1
Webscape	3
Willow	2
WOOL	
WOOL	GRADE
Geisha	7
Katagami	5
Obi	5
Origami	5
Samurai	5
Shibori	5
Wool Boucle	7
WOVEN CRYPTON	
WOVEN CRYPTON	GRADE
Acclaim	3
Amadeus	4
Arabesque	3
Aristocrat	3
BeBop	5
Big Top	4
Brio	4
Celtic	3
City Lights	4

Cuddle Up	5
Debonair	4
Debut	6
Disco	3
Domain	4
Entourage	5
Escapade	5
Fable	4
Fairy Tales	5
FanFare	6
Fathom	3
Finale	3
Finish Line	4
Frequency	6
Habitat	3
Holiday	3
Jitterbug	3
Journey	3
Malibu	3
Metro	2
New Dimensions	7

Nirvana	5
Nostalgia	3
Obsession	6
On the Spot	5
Panache	5
Paparazzi	5
Paradise	6
Pastime	3
Pathway	3
Positive Thoughts	5
Primo	3
Rain Dance	3
Ratio	5
Razzmatazz	5
Realm	5
Rebound	5
Replay	4
Reveal	3
Round 'N Round	5
Smart Suede	3
Social Network	3

Solaris	5
Stanza	3
Suede	3
Swank	6
Tangram	7
Tea Leaves	3
Time Line	3
Viewpoint	5
Whimsy	5
Xanadu	5

Vinyl & Non-PVC
January 1, 2016

Pattern	Grade
Abacus	6
Affinity	5
Apex • Crypton® Revl™	4
Archetype	2
Aspen	5
Atlas	1
Atmosphere	2
Auberge	6
Avant	2
Bambu-EnVi™	5
Banyan	5
Bari	5
Bistro	2
Bon Voyage	6
Burkshire	2
Capreni	5
Carlisle	3
Casablanca	6
Cassidy	2
Catalyst	2
Channel	2
Chroma	4
Cirque	3
Citadel	2
Clean Slate	2
Colorguard	2
Connect	2
Core	2
Criss Cross	2
Dash	3
Diva	2
Dodgeball	6
Dynasty	2
Eli	5
English Pub	2
Entrada	6
Excursion	2
Expressions	2
Facet	2
Fizz	3
Fuse	1
GeoMet	4
Grand Sierra	2
Grille	2
Juxy	5
Kusari	2
Laredo	1
Latitude	2
Lava	7

Pattern	Grade
Liquid	3
Martini	5
Matrix	4
Mica	2
Moccasin	2
Montana	2
Natural World	6
Naugaleather	2
Naugasoft	2
Olympus	5
Orbit	2
Oxford	2
Patriot Plus II	2
Petals	5
Plexus	5
Prisma	5
Raffia	4
Rainier	2
Rally	1
Revolve	7
Rialto	2
Ripple	7
Rivera	5
Rogue II	1
Scout	2
Script	3
Sentry-HC	2
Shantung	2
Simplicity	2
Sleek	2
Slightwave	5
Smile	6
Smoothie	2
Stat-Con	4
Stitch in Time	3
Tendril	2
Tessuto	2
Valise	2
Vegas	2
Verdure - EnVi™	5
Vortexia	7
Walk the Line	6
Waterwand	7
Whitney	3
Wicker	5
Ybor	5
Ziggy	2
Zodiac	2

Stinson®

SEE / SAMPLE / SPEC

Look for the Stinson See / Sample / Spec logo to immediately search and sample the full graded-in line of CF Stinson fabrics.

Non-PVC January 1, 2016

Pattern	Grade
Arioso	5
Camino	CALL
Cielo	CALL
Dakota	2
Effervescence	5
E'Lan-HC	CALL
Glisten	CALL
Mesa	CALL
Modena	5
Moxie	5
Sedona	CALL
Silverado w/ Agion®	6
Solitaire	3
Sterling w/ Agion	6
Sundance w/StaKleen™	4
Tender	CALL
Volterra-HC	CALL
Wink w/ Agion	6
Wyatt	3

Performance Seating Fabric January 1, 2016

Pattern	Grade
Ace	2
Acanthus	8
Acrobat	6
Adirondack	5
Aero	5
Alchemy	5
Alfresco	5
Algiers	7
Alignment	5
Aloha	6
Arc	3
Ascend	5
Aura	7
Balance Beam	5
Bali	6
Balustrade	7
Bass Line	5
Beatbox	5
Beep Beep	5
Bespoke	4
Blip	2
Block Party	6
Bloom	CALL
Bongo	6
Breton	5

Pattern	Grade
Brilliant	2
Bryant Park	2
Calla	6
Cannon Beach	7
Canterbury	7
Catalina	5
Catwalk	5
Celeste	5
Chakra	7
Chauncey	3
Chi w/ Agion®	7
Chloe	4
Cinnamon Blossom	6
Coco	5
Colden	6
Comeback	7
Concentric	6
Continuum	3
Cottonwood	5
Courtyard	6
Cozy	4
Cruisin'	6
Crypton Metro	3
Crypton Suede	3
Crystalline	6

Performance Seating Fabric
January 1, 2016

Pattern	Grade	Pattern	Grade
Current	7	Jambi Stripe	5
Curves Ahead	6	Jasmine Screen	5
Cyma	7	Jump w/ Agion	8
Daddy-O w/ Agion	7	Kambala	7
Dart	2	Ketana	7
Deflection	5	Knock Knock	7
Delphi	5	Labyrinth	6
Detail	6	Leaps & Bounds	5
Deza	7	Lift	7
Diffusion	8	Lindley Park	2
Double Time w/ Agion	8	Line Dance	4
Duet	4	Links	5
Elderberry	6	Linus	4
Equinox	4	Lucent	7
Fast Lane	2	Makeover	7
Fenestra	7	Mali	6
Figment	5	Malta	7
Firefly	6	Manchester	4
Flex	4	Marimba	5
Flight	7	Mingle	5
Flip Flops	6	Montage	4
Florentine	4	Mumbai	8
Folio	6	Nest	6
Freehand	3	New Hempstead	2
Furrows	2	Next Scene	5
Geodesic	6	Nova	3
Glacier	2	Now & Zen w/ Agion	8
Gradation	3	On the Money	4
Gravity	4	Oscillate	7
Grove	5	Outlander	2
Hands On	5	Pacifica	7
Happy Hour	3	Panorama	6
Happy Tappy	7	Park Avenue	5
Haven	4	Perimeter	3
Helix	6	Persuasion	4
Hi-Fi	2	Polka	2
Hive	2	Portico	4
Horizons	6	Posh	4
Hot Spot	5	Profile	5
Hourglass	6	Radiance	8
Hudson	7	Raquette	5
Hush	5	Realm	4
I Spy	5	Respite	6
Impression	7	Retrograde	2
Inside Track	2	Revolution	5
Interplay	4	Riddle	2
Interval	4	Rolling Stones	6
Isabella	6	Salinas	8
Jala	8	San Simeon	7
Jam Session w/ Agion	8	Satellite	3

Look for the Stinson See / Sample / Spec logo to immediately search and sample the full graded-in line of CF Stinson fabrics.

Performance Seating Fabric
January 1, 2016

Pattern	Grade
Scintillate	6
Seagrass	6
Second Act	5
Sequence	2
Sideline	3
Skyline	6
Snuggle	3
Spark	8
Spindles	7
Splash	5
Sprint	2
Squire	4
Stellar	3
Stipple	3
Straight and Narrow	5
Stratford	CALL
Sumatran Palm	5
Summit	4
Sunburst	6
Sunswept	5
Supersiliness	7
Swivel	6
Symmetry	6
Tessellate	7
Thicket	2
Tracing	3
Tranquility	6
Tracing	3
Transcend	2
Tribeca	2
True Path w/ Agion	8
Tuscan Hills	7
Tweed	5
Umbrian Rain	7
Up Tempo w/ Agion	8
Urban Grid	2
Vanish	7

Pattern	Grade
Vapor	6
Varati	8
Velocity	4
Vermont	6
Vibe	5
View	6
Vineyard	8
Vintage	6
Vision	2
Voltage	7
Whirl	6
Willow Talk	6
Wish	CALL
Zoom	4

Genuine Leather

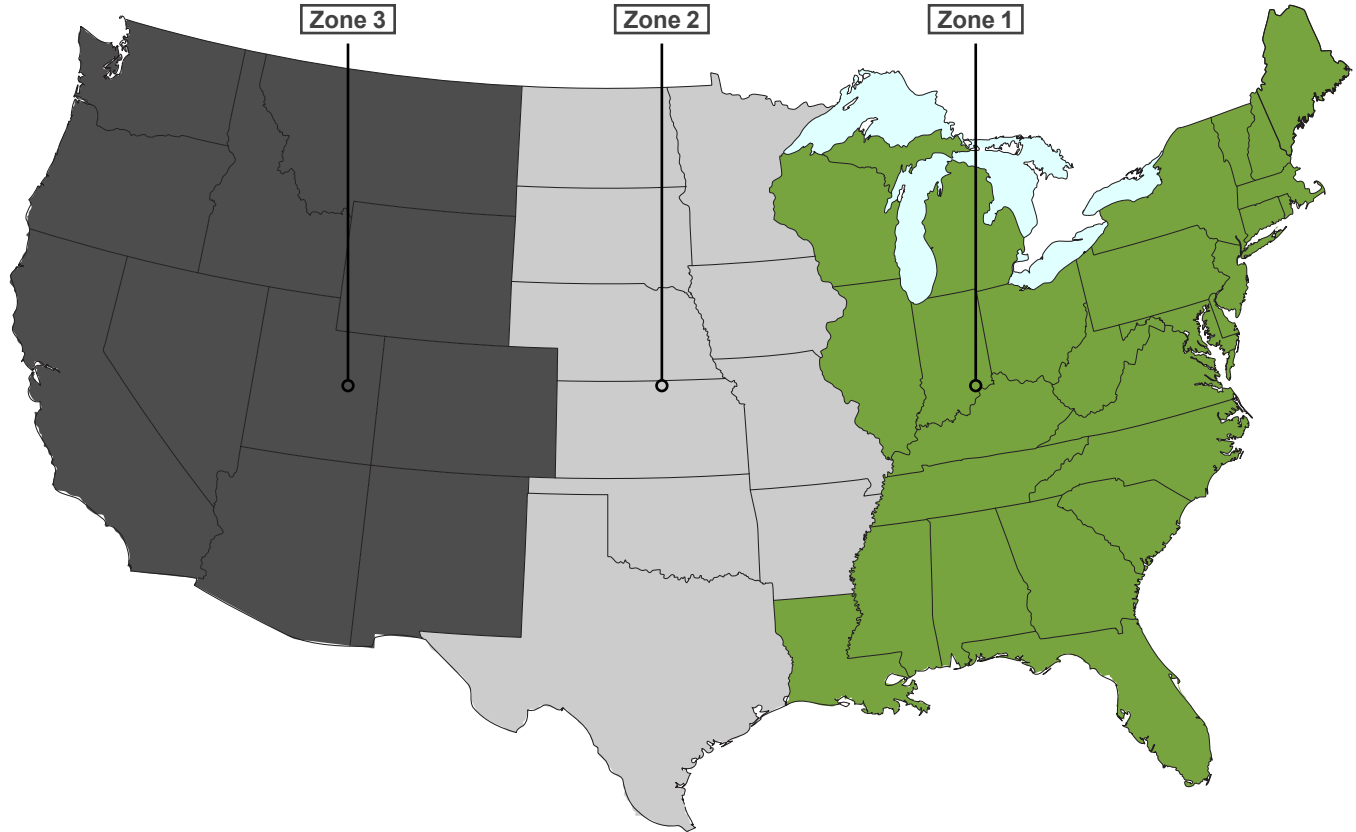
R.E.I.L.	CALL
----------	------

LIAT Shipping Zones

Shipping | Pricing Guide

Use the following guide to **determine the delivered pricing** for your LIAT furniture product by **selecting your zone** from the map and reviewing the price changes for each zone. To **determine your list price**, add your prices from your selected furniture and then **add the shipping cost based on your designated zone**.

USA



- Zone 1** No extra cost
- Zone 2** Add 4% to the list price
- Zone 3** Add 7% to the list price

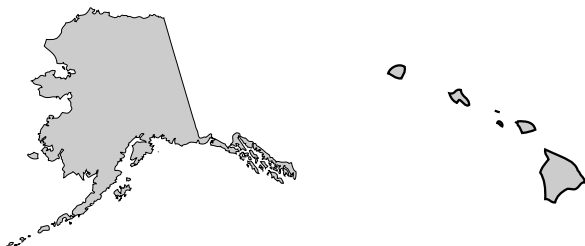
Zone 1 orders less than \$5,000 list will have a freight minimum fee of **\$375** list.

Zone 2 orders less than \$5,000 list will have a freight minimum fee of **\$375** list, plus **4%** of list

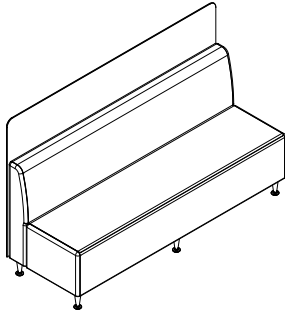
Zone 3 orders less than \$5,000 list will have a freight minimum fee of **\$375** list, plus **7%** of list

Hawaii, Alaska, and International

Note. This system does not apply to our international customers or those living in Alaska and Hawaii, **freight must be quoted separately for these orders.**



Example 1 Below \$5,000 list



TA-LG-2472S-UB-ML-AP-G3

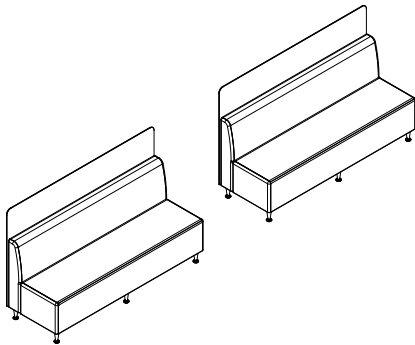
List Price - \$4,011

Depth - 24"
Width - 72"
Height - 33-5/16"
Seat Depth - 19"
Seat Height - 18"
Com Yardage - 9 yds

Unit Weight - 70 lbs
Back Style - Upholstered Back
Leg Style - Metal Legs
Divider - Acrylic Panel
Fabric Grade - 3

- **Zone 1** List Price: \$4,011 + \$375(Flat fee) = **\$4,386**
- **Zone 2** List Price: \$4,011 + \$375(Flat fee) + \$160(4% of list) = **\$4,546**
- **Zone 3** List Price: \$4,011 + \$375(Flat fee) + \$280(7% of list) = **\$4,666**

Example 2 Above \$5,000 list



TA-LG-2472S-UB-ML-AP-G3 *more than one*

List Price - \$8,022

Depth - 24"
Width - 72"
Height - 33-5/16"
Seat Depth - 19"
Seat Height - 18"
Com Yardage - 9 yds

Unit Weight - 70 lbs
Back Style - Upholstered Back
Leg Style - Metal Legs
Divider - Acrylic Panel
Fabric Grade - 3

- **Zone 1** List Price: \$8,022 = **\$8,022**
- **Zone 2** List Price: \$8,022 + \$320(4% of list) = **\$8,342**
- **Zone 3** List Price: \$8,022 + \$561(7% of list) = **\$8,583**

*Assembly is not required for LIAT's standard Tahoe product.

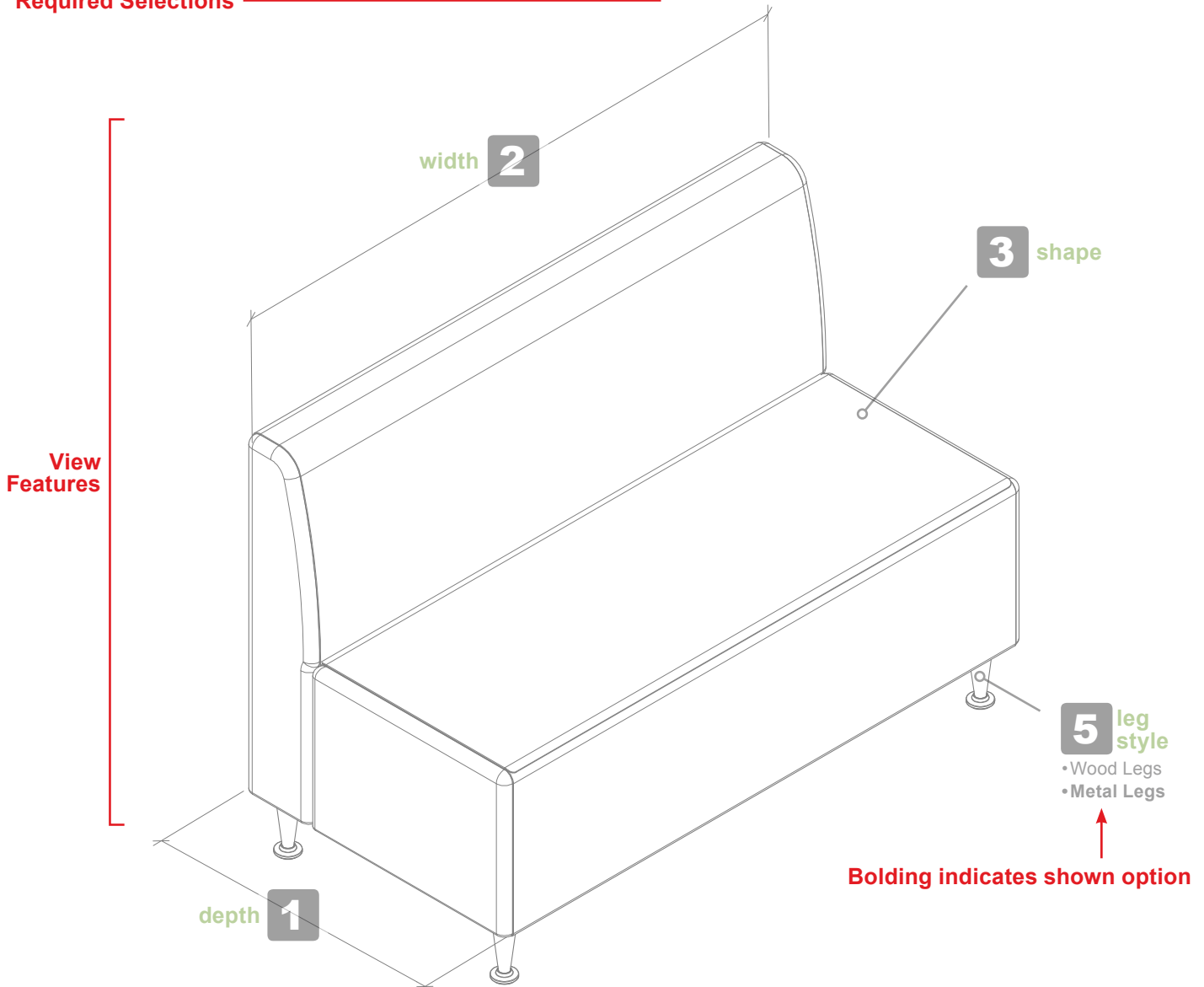
Pricing Guide Tutorial

How to use this pricing guide

These pages are a guide on how to build and customize your Tahoe lounge using this specification and pricing guide.



Required Selections



Unit Shown TA-LG-2448S-UB-ML-G1

Shown options creating a unique product code.

List Price: \$1,814

Price of unit shown

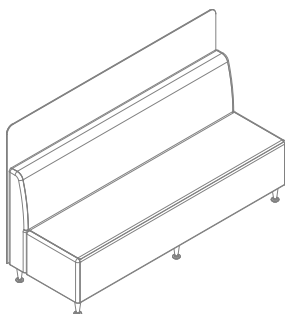
Use this information to locate the guide sections →

To compare various combinations, use price chart

Required Selections						
Component	Code	Description	24" Wide	48" Wide	72" Wide	
1	Depth	24	24" Deep	\$1,110	\$1,814	\$2,588
			unit weight	45 lbs	55 lbs	70 lbs
2	Width	24	Single-Seat Lounge	\$0	-	-
		48	Two-Seat Lounge	-	\$0	-
		72	Three-Seat Lounge	-	-	\$0
3	Shape	S	Straight	\$0	\$0	\$0
4	Back Style	UB	Upholstered Back	\$0	\$0	\$0
5	Leg Style	ML	Metal Legs	\$0	\$0	\$0
		WL	Wood Legs	\$0	\$0	\$0
Available Upgrades						
Component	Code	Description	24" Wide	48" Wide	72" Wide	
6	Divider	-AP	Acrylic Panel	\$364	\$606	\$687
Fabric Selections						
Component	Code	Description	24" Wide	48" Wide	72" Wide	
7	Fabric Grade	-COM	Customers Own Material	\$0	\$0	\$0
			fabric requirements:	3 yards	6 yards	9 yards
		-G1	Grade 1	\$0	\$0	\$0
		-G2	Grade 2	\$84	\$168	\$252
		-G3	Grade 3	\$168	\$336	\$504
		-G4	Grade 4	\$252	\$504	\$756
		-G5	Grade 5	\$336	\$672	\$1,008
		-G6	Grade 6	\$420	\$840	\$1,260
		-G7	Grade 7	\$504	\$1,008	\$1,512
-G8	Grade 8	\$588	\$1,176	\$1,764		

TA-LG-2448S-UB-ML-G1

\$1,814



TA-LG-2472S-UB-ML-AP-G3

List Price - \$3,779

Depth - 24"

Width - 72"

Height - 33-5/16"

Seat Depth - 19"

Seat Height - 18"

Com Yardage - 9 yds

Unit Weight - 70 lbs

Back Style - Upholstered Back

Leg Style - Metal Legs

Divider - Acrylic Panel

Fabric Grade - 3

Lounge

simple and modular seating



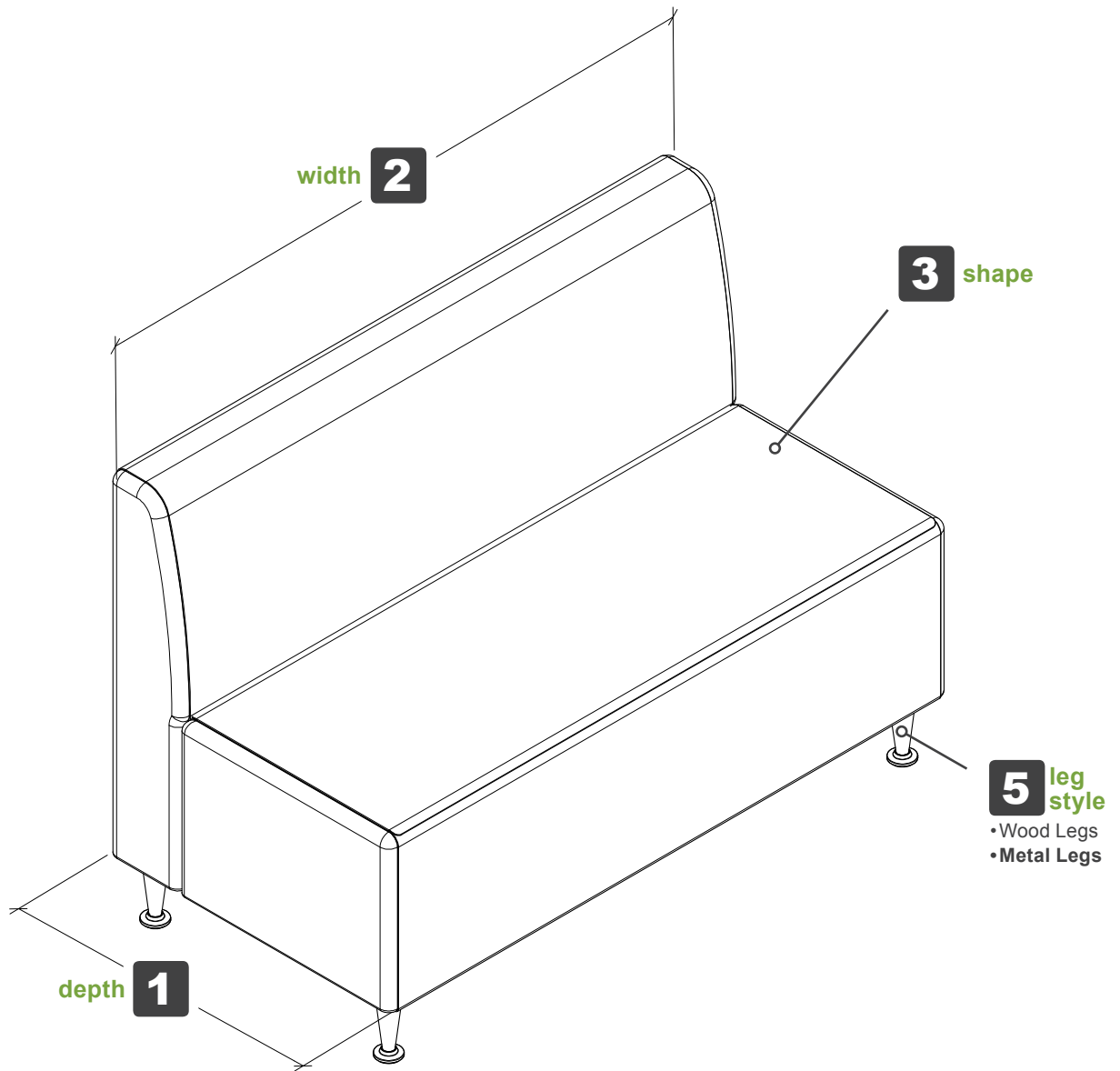
Tahoe

Straight (Upholstered Backs) | Build Guide

Use the following guide to **determine the catalog number** for your Tahoe Lounge by **selecting your choice** from the available options. To **determine your list price**, add all prices for your selected items from the table to the right.

TA - **LG** - **1** - **2** - **3** - **4** - **5**

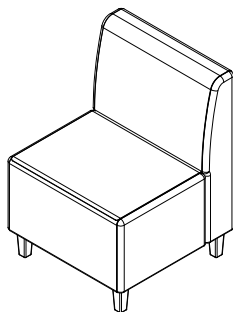
depth width shape back style leg style



Unit Shown TA-LG-2448S-UB-ML-G1

List Price \$1,814

Required Selections					
Component	Code	Description	24" Wide	48" Wide	72" Wide
1 Depth	24	24" Deep	\$1,110	\$1,814	\$2,588
		unit weight	45 lbs	55 lbs	70 lbs
2 Width	24	Single-Seat Lounge	\$0	-	-
	48	Two-Seat Lounge	-	\$0	-
	72	Three-Seat Lounge	-	-	\$0
3 Shape	S	Straight	\$0	\$0	\$0
4 Back Style	UB	Upholstered Back	\$0	\$0	\$0
5 Leg Style	ML	Metal Legs	\$0	\$0	\$0
	WL	Wood Legs	\$0	\$0	\$0
Available Upgrades					
Component	Code	Description	24" Wide	48" Wide	72" Wide
6 Divider	-AP	Acrylic Panel	\$364	\$606	\$687
Fabric Selections					
Component	Code	Description	24" Wide	48" Wide	72" Wide
7 Fabric Grade	-COM	Customers Own Material	\$0	\$0	\$0
		fabric requirements:	3 yards	6 yards	9 yards
	-G1	Grade 1	\$0	\$0	\$0
	-G2	Grade 2	\$84	\$168	\$252
	-G3	Grade 3	\$168	\$336	\$504
	-G4	Grade 4	\$252	\$504	\$756
	-G5	Grade 5	\$336	\$672	\$1,008
	-G6	Grade 6	\$420	\$840	\$1,260
	-G7	Grade 7	\$504	\$1,008	\$1,512
	-G8	Grade 8	\$588	\$1,176	\$1,764

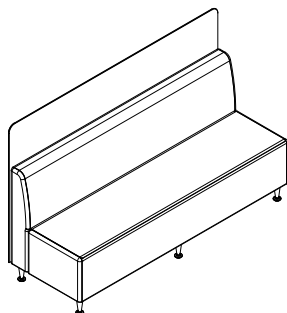


TA-LG-2424S-UB-WL-G1

List Price - \$1,110

Depth - 24"
Width - 24"
Height - 33-5/16"
Seat Depth - 19"
Seat Height - 18"
Com Yardage - 3 yds

Unit Weight - 45 lbs
Back Style - Upholstered Back
Leg Style - Wood Legs
Divider - None
Fabric Grade - 1



TA-LG-2472S-UB-ML-AP-G3

List Price - \$3,779

Depth - 24"
Width - 72"
Height - 33-5/16"
Seat Depth - 19"
Seat Height - 18"
Com Yardage - 9 yds

Unit Weight - 70 lbs
Back Style - Upholstered Back
Leg Style - Metal Legs
Divider - Acrylic Panel
Fabric Grade - 3

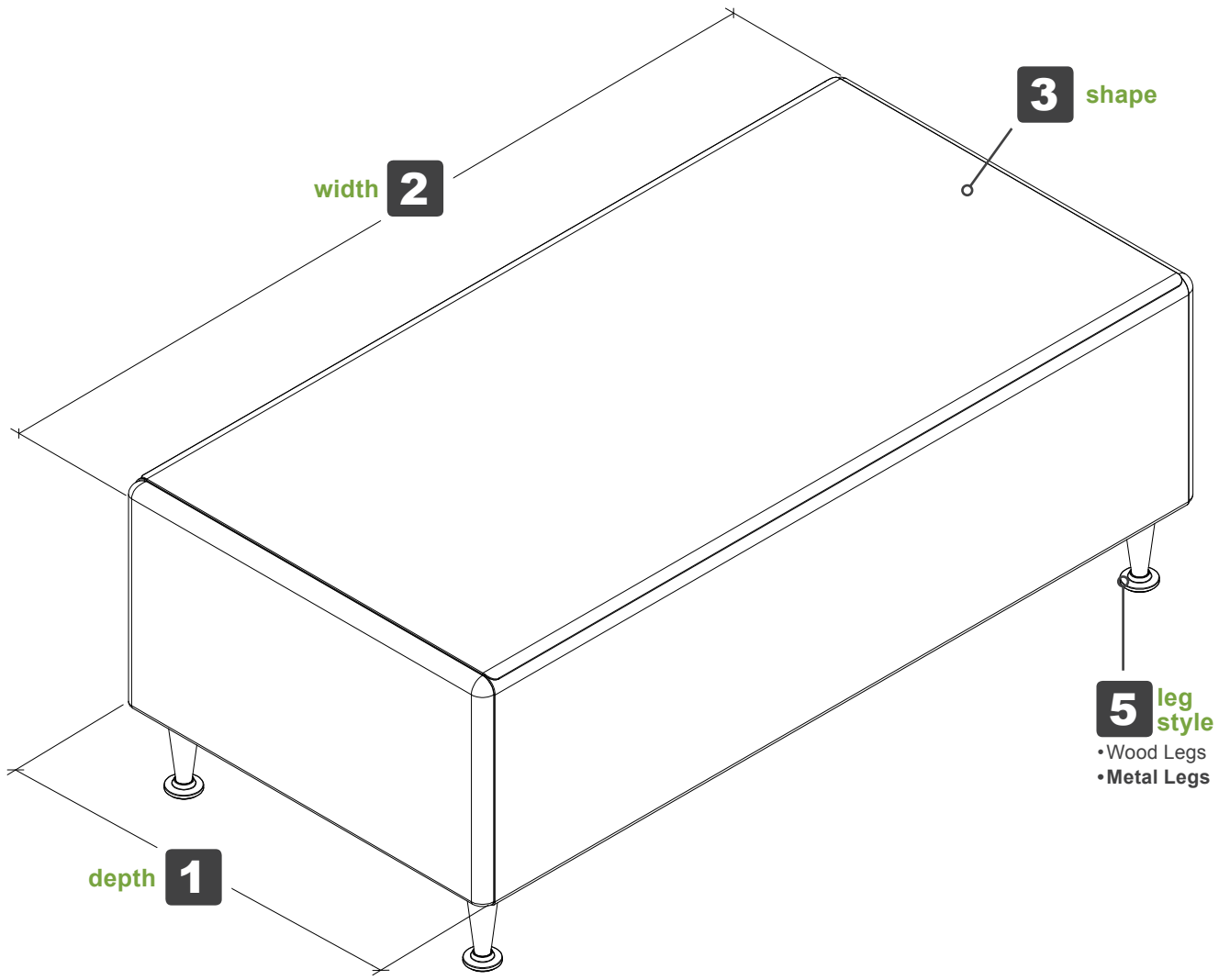
Tahoe

Straight (No Backs) | Build Guide

Use the following guide to **determine the catalog number** for your Tahoe Lounge by **selecting your choice** from the available options. To **determine your list price**, add all prices for your selected items from the table to the right.

TA - **LG** - **1** **2** **3** - **4** - **5**

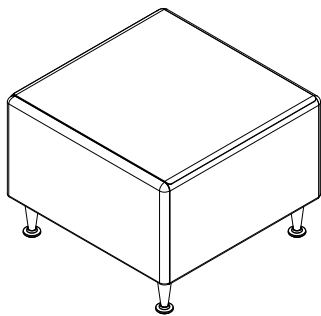
depth width shape back style leg style



Unit Shown TA-LG-2448S-NB-ML-G1

List Price \$1,407

Required Selections						
Component	Code	Description	24" Wide	48" Wide	72" Wide	
1 Depth	24	24" Deep	\$862	\$1,407	\$1,871	
			unit weight	25 lbs	45 lbs	65 lbs
2 Width	24	Single-Seat Lounge	\$0	-	-	
	48	Two-Seat Lounge	-	\$0	-	
	72	Three-Seat Lounge	-	-	\$0	
3 Shape	S	Straight	\$0	\$0	\$0	
4 Back Style	NB	No Back	\$0	\$0	\$0	
5 Leg Style	ML	Metal Legs	\$0	\$0	\$0	
	WL	Wood Legs	\$0	\$0	\$0	
Fabric Selections						
Component	Code	Description	24" Wide	48" Wide	72" Wide	
6 Fabric Grade	-COM	Customers Own Material	\$0	\$0	\$0	
		fabric requirements:	1.75 yards	2.5 yards	4 yards	
	-G1	Grade 1	\$0	\$0	\$0	
	-G2	Grade 2	\$49	\$70	\$112	
	-G3	Grade 3	\$98	\$140	\$224	
	-G4	Grade 4	\$147	\$210	\$336	
	-G5	Grade 5	\$196	\$280	\$448	
	-G6	Grade 6	\$245	\$350	\$560	
	-G7	Grade 7	\$294	\$420	\$672	
	-G8	Grade 8	\$343	\$490	\$784	

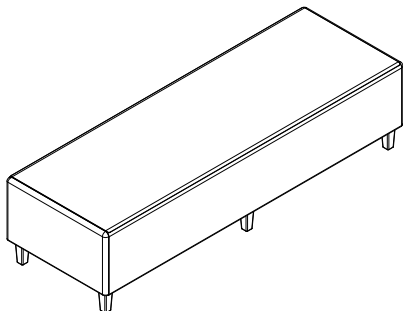


TA-LG-2424S-NB-ML-G2

List Price - \$911

- Depth - 24"
- Width - 24"
- Height - 18"
- Seat Depth - 24"
- Com Yardage - 1.75 yds
- Unit Weight - 25 lbs

- Back Style - No Back
- Leg Style - Metal Legs
- Fabric Grade - 2



TA-LG-2472S-NB-WL-G1

List Price - \$1,871

- Depth - 24"
- Width - 72"
- Height - 18"
- Seat Depth - 24"
- Com Yardage - 4 yds
- Unit Weight - 65 lbs

- Back Style - No Back
- Leg Style - Wood Legs
- Fabric Grade - 1

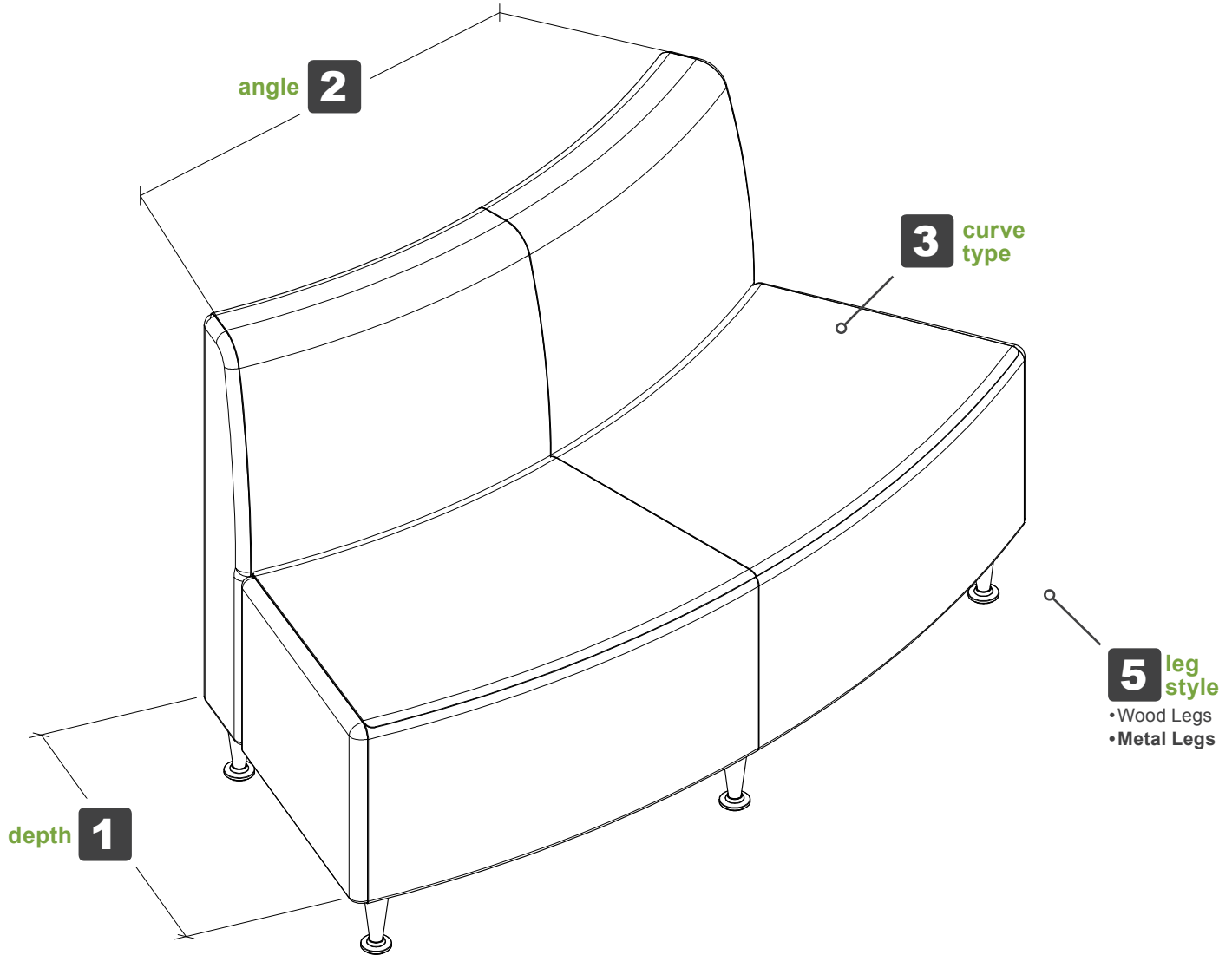
Tahoe

Curved (Upholstered Backs) | Build Guide

Use the following guide to **determine the catalog number** for your Tahoe Lounge by **selecting your choice** from the available options. To **determine your list price**, add all prices for your selected items from the table to the right.

TA - **LG** - **1** - **2** - **3** - **4** - **5**

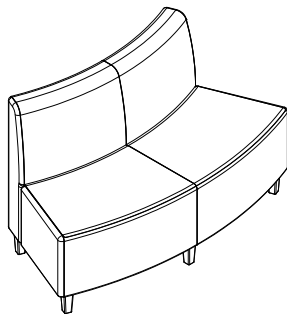
depth angle curve type back style leg style



Unit Shown TA-LG-2445OC-UB-ML-G1

List Price \$2,115

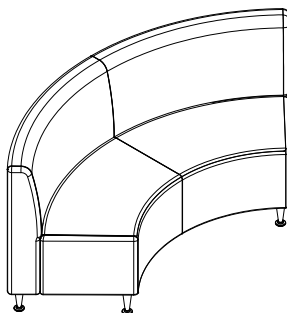
Required Selections						
Component	Code	Description	45 Degree	90 Degree		
1	Depth	24	24" Deep	\$2,115	\$2,297	
				unit weight	60 lbs	60 lbs
2	Angle	45	45 Degree	\$0	-	
		90	90 Degree	-	\$0	
3	Curve Type	OC	Outer Curve	\$0	-	
		-Outer curve only available on 45 degree units				
		IC	Inner Curve	-	\$0	
				-Inner curve only available on 90 degree units		
4	Back Style	UB	Upholstered Back	\$0	\$0	
5	Leg Style	ML	Metal Legs	\$0	\$0	
		WL	Wood Legs	\$0	\$0	
Fabric Selections						
Component	Code	Description	45 Degree	90 Degree		
6	Fabric Grade	-COM	Customers Own Material	\$0	\$0	
				fabric requirements:	9 yards	9 yards
		-G1	Grade 1	\$0	\$0	
		-G2	Grade 2	\$252	\$252	
		-G3	Grade 3	\$504	\$504	
		-G4	Grade 4	\$756	\$756	
		-G5	Grade 5	\$1,008	\$1,008	
		-G6	Grade 6	\$1,260	\$1,260	
		-G7	Grade 7	\$1,512	\$1,512	
		-G8	Grade 8	\$1,764	\$1,764	



TA-LG-2445OC-UB-WL-G3

List Price - \$2,619

- Depth - 28"**
- Width - 58-3/16"**
- Height - 33-5/16"**
- Seat Depth - 19"**
- Seat Height - 18"**
- Com Yardage - 9 yds**
- Unit Weight - 60 lbs**
- Curve Type - Outer Curve**
- Back Style - Upholstered Back**
- Leg Style - Wood Legs**
- Fabric Grade - 3**



TA-LG-2490IC-UB-ML-G2

List Price - \$2,549

- Depth - 32"**
- Width - 73-9/16"**
- Height - 33-5/16"**
- Seat Depth - 19"**
- Seat Height - 18"**
- Com Yardage - 9 yds**
- Curve Type - Inner Curve**
- Back Style - Upholstered Back**
- Leg Style - Metal Legs**
- Fabric Grade - 2**

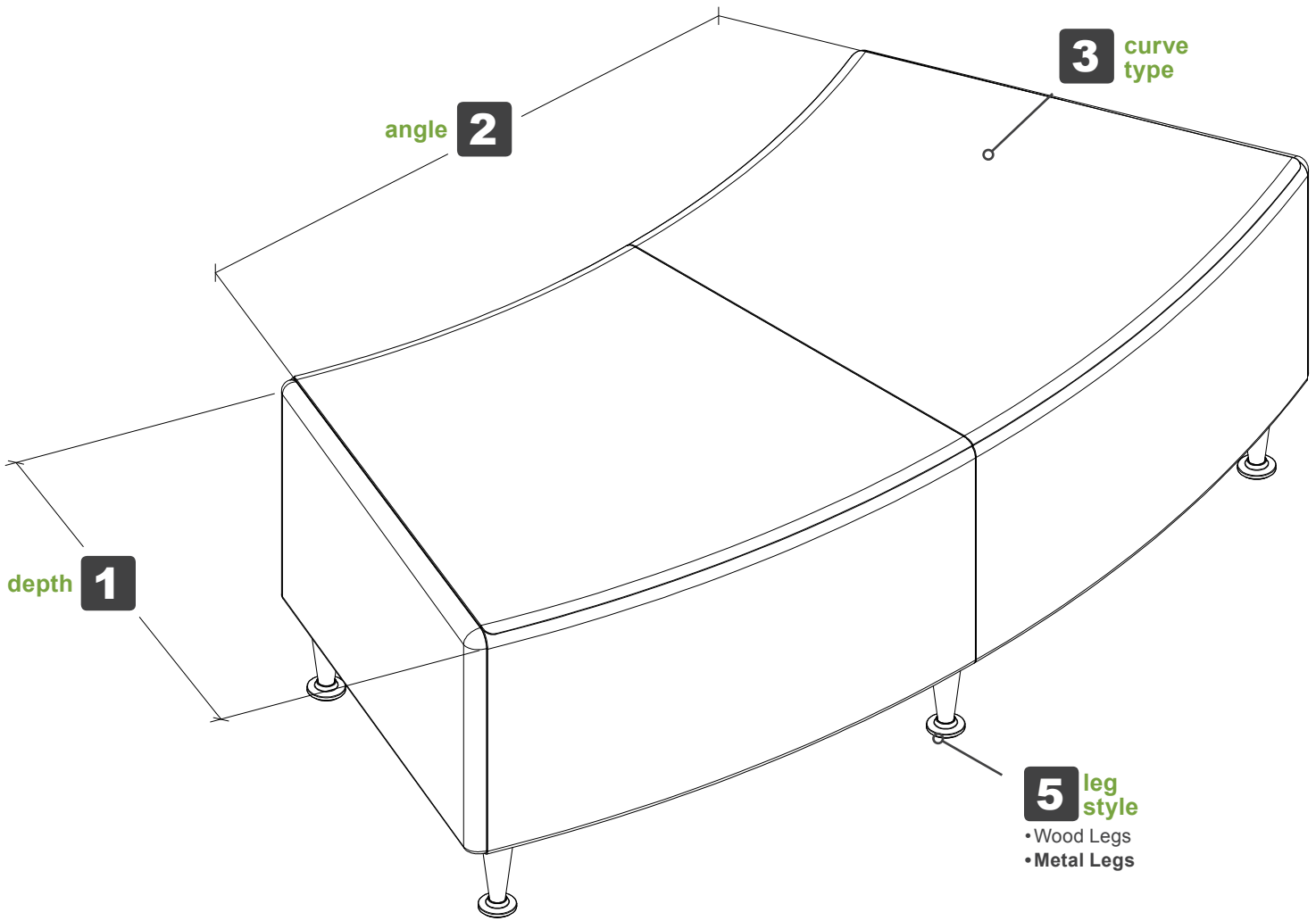
Tahoe

Curved (No Backs) | Build Guide

Use the following guide to **determine the catalog number** for your Tahoe Lounge by **selecting your choice** from the available options. To **determine your list price**, add all prices for your selected items from the table to the right.

TA - **LG** - **1** - **2** - **3** - **4** - **5**

depth angle curve type back style leg style

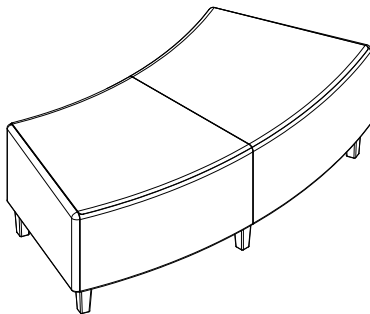


Unit Shown TA-LG-2445OC-NB-ML-G1

List Price \$1,681

Required Selections					
Component	Code	Description	45 Degree	90 Degree	
1	Depth	24	24" Deep	\$1,681	\$1,681
				unit weight	55 lbs
2	Angle	45	45 Degree	\$0	-
		90	90 Degree	-	\$0
3	Curve Type	OC	Outer Curve	\$0	-
		-Outer curve only available on 45 degree units			
		IC	Inner Curve	-	\$0
				-Inner curve only available on 90 degree units	
4	Back Style	NB	No Back	\$0	\$0
5	Leg Style	ML	Metal Legs	\$0	\$0
		WL	Wood Legs	\$0	\$0

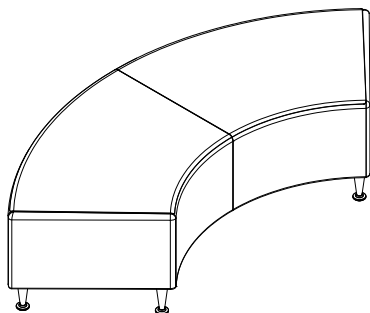
Fabric Selections						
Component	Code	Description	45 Degree	90 Degree		
6	Fabric Grade	-COM	Customers Own Material	\$0	\$0	
				fabric requirements:	5 yards	5 yards
		-G1	Grade 1	\$0	\$0	
		-G2	Grade 2	\$140	\$140	
		-G3	Grade 3	\$280	\$280	
		-G4	Grade 4	\$420	\$420	
		-G5	Grade 5	\$560	\$560	
		-G6	Grade 6	\$700	\$700	
		-G7	Grade 7	\$840	\$840	
		-G8	Grade 8	\$980	\$980	



TA-LG-2445OC-NB-WL-G2

List Price - \$1,821

- Depth - 28"**
- Width - 58-3/16"**
- Height - 18"**
- Seat Depth - 24"**
- Com Yardage - 5 yds**
- Unit Weight - 55 lbs**
- Curve Type - Outer Curve**
- Back Style - No Back**
- Leg Style - Wood Legs**
- Fabric Grade - 2**



TA-LG-2490IC-NB-ML-G4

List Price - \$2,101

- Depth - 28"**
- Width - 73-9/16"**
- Height - 18"**
- Seat Depth - 24"**
- Com Yardage - 5 yds**
- Unit Weight - 55 lbs**
- Curve Type - Inner Curve**
- Back Style - No Back**
- Leg Style - Wood Legs**
- Fabric Grade - 4**

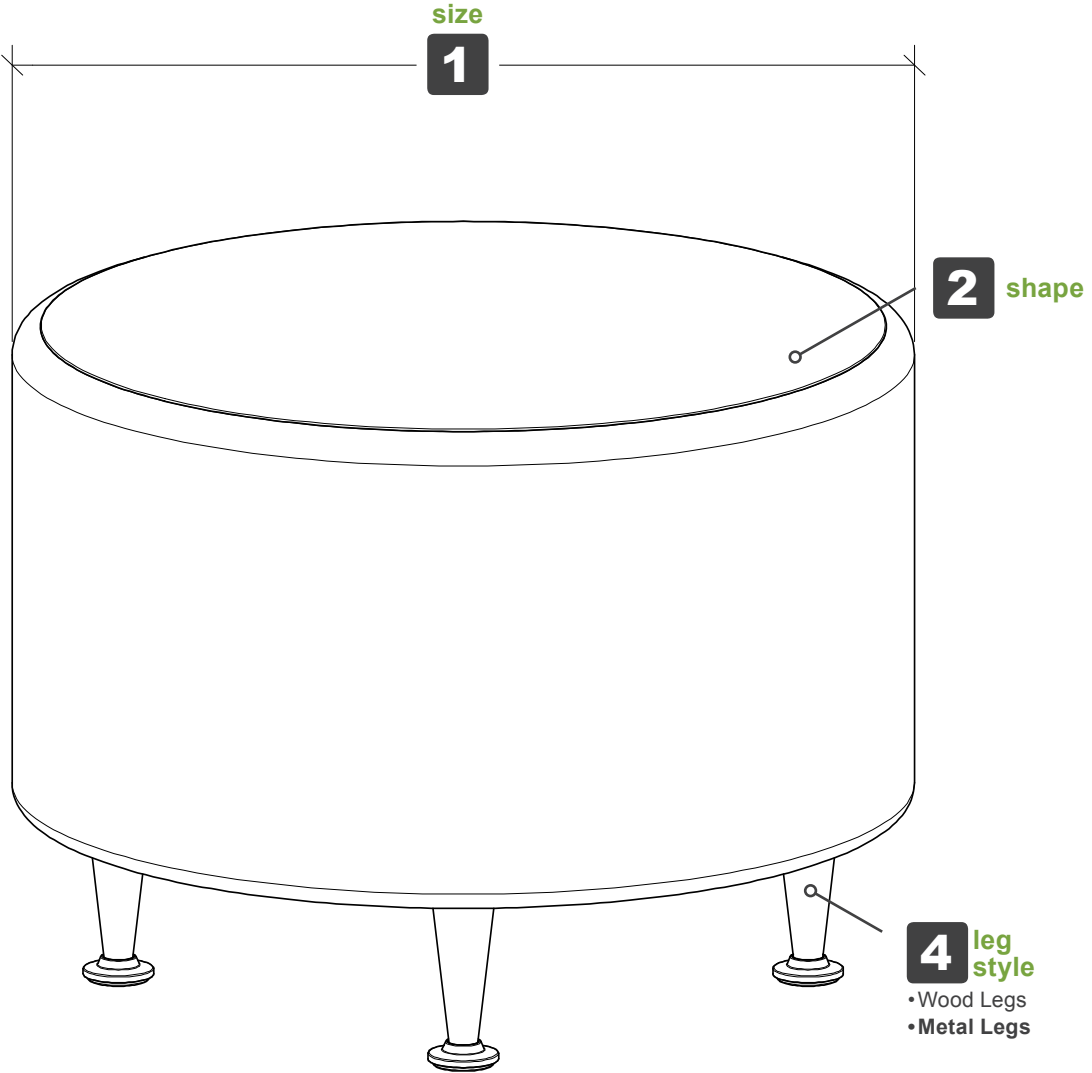
Tahoe

Other (No Backs) | Build Guide

Use the following guide to **determine the catalog number** for your Tahoe Lounge by **selecting your choice** from the available options. To **determine your list price**, add all prices for your selected items from the table to the right.

TA - **LG** - **1** - **2** - **3** - **4**

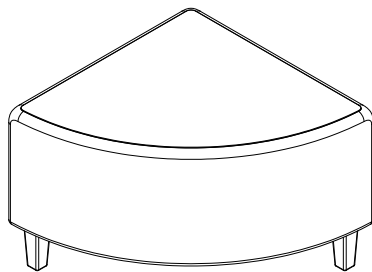
size shape back style leg style



Unit Shown TA-LG-24D-NB-ML-G2

List Price \$931

Required Selections					
Component	Code	Description	24"	30"	36"
1 Size	24	24"	\$0	-	-
	30	30"	-	\$0	-
	36	36"	-	-	\$0
		unit weight	20 lbs	27 lbs	34 lbs
2 Shape	D	Round	\$882	\$1,218	\$1,346
	P	Pie	\$1,004	-	-
3 Back Style	NB	No Back	\$0	\$0	\$0
4 Leg Style	ML	Metal Legs	\$0	\$0	\$0
	WL	Wood Legs	\$0	\$0	\$0
Fabric Selections					
Component	Code	Description	24"	30"	36"
5 Fabric Grade	-COM	Customers Own Material	\$0	\$0	\$0
		fabric requirements:	1.75 yards	2.75 yards	3.25 yards
	-G1	Grade 1	\$0	\$0	\$0
	-G2	Grade 2	\$49	\$77	\$91
	-G3	Grade 3	\$98	\$154	\$182
	-G4	Grade 4	\$147	\$231	\$273
	-G5	Grade 5	\$196	\$308	\$364
	-G6	Grade 6	\$245	\$385	\$455
	-G7	Grade 7	\$294	\$462	\$546
	-G8	Grade 8	\$343	\$539	\$637

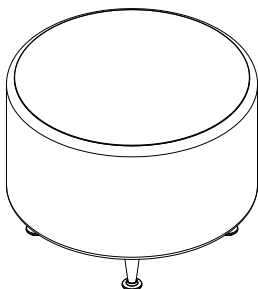


TA-LG-24P-NB-WL-G5

List Price - \$1,200

Size - 24"
Height - 18"
Com Yardage - 1.75 yds
Unit Weight - 20 lbs

Back Style - No Back
Leg Style - Wood Legs
Fabric Grade - 5



TA-LG-24D-NB-ML-G3

List Price - \$980

Size - 24"
Height - 18"
Com Yardage - 1.75 yds
Unit Weight - 20 lbs

Back Style - No Back
Leg Style - Metal Legs
Fabric Grade - 3

Occasional Tables

additional function with a matching aesthetic



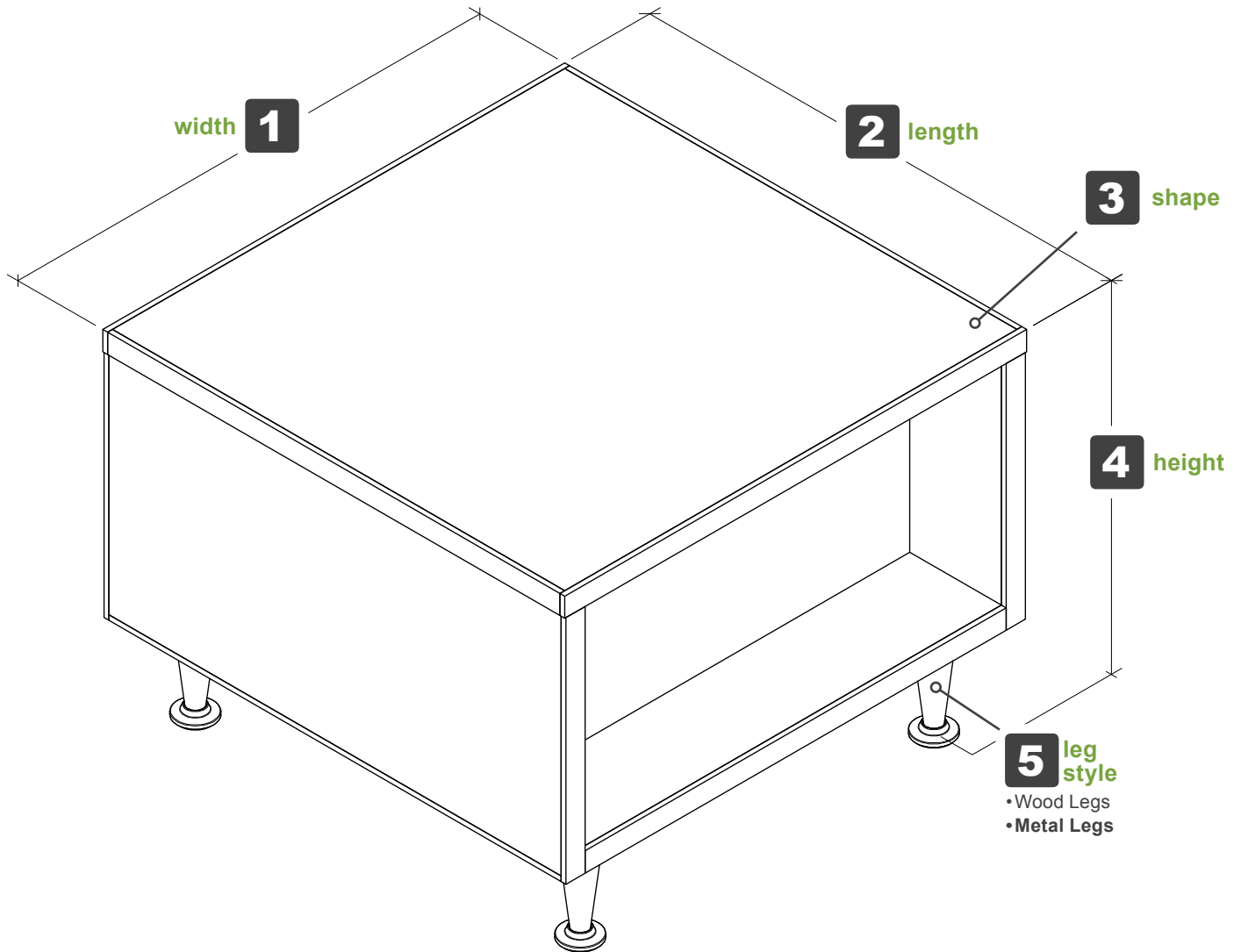
Tahoe

Straight | Build Guide

Use the following guide to **determine the catalog number** for your Tahoe Occasional Table by **selecting your choice** from the available options. To **determine your list price**, add all prices for your selected items from the table to the right.

TA - OT - **1** **2** **3** - **4** - **5**

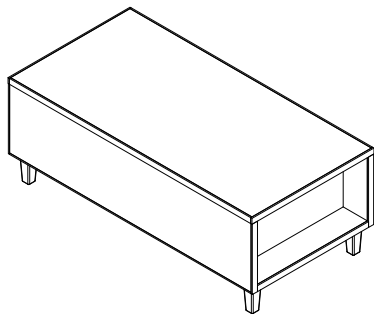
width length shape height leg style



Unit Shown TA-OT-2424S-16-ML

List Price \$582

Required Selections							
Component	Code	Description	24" Long	36" Long	48" Long	60" Long	
1	Width	24 24" Wide	\$582	\$674	\$769	\$863	
2	Length	24 24" Long	\$0	-	-	-	
		36 36" Long	-	\$0	-	-	
		48 48" Long	-	-	\$0	-	
		60 60" Long	-	-	-	\$0	
3	Shape	S Straight	\$0	\$0	\$0	\$0	
4	Height	16 16" High	\$0	\$0	\$0	\$0	
		18 18" High	\$20	\$26	\$31	\$36	
		22 22" High	\$62	\$78	\$94	\$109	
5	Leg Style	ML Metal Legs	\$0	\$0	\$0	\$0	
		WL Wood Legs	\$0	\$0	\$0	\$0	
Available Upgrades							
Component	Code	Description	24" Long	36" Long	48" Long	60" Long	
6	Power Qty	-1P 1 Power	\$0	\$0	\$0	\$0	
		-2P 2 Power	\$0	\$0	\$0	\$0	
7	Power Color	S Silver Pearl Cove	\$0	\$0	\$0	\$0	
		B Black Powder Coat Cove	\$0	\$0	\$0	\$0	
		W Gloss White Cove	\$0	\$0	\$0	\$0	



TA-OT-2448S-18-WL

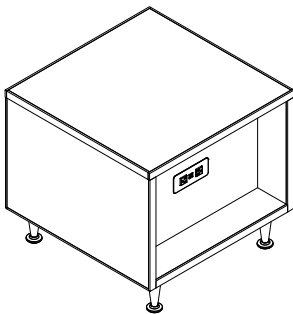
List Price - \$800

Actual Footprint - 24" W x 48" L x 18" H

Shape - Straight

Leg Style - Wood Legs

Power - None



TA-OT-2424S-22-ML-2PS

List Price - \$644

Actual Footprint - 24" W x 24" L x 22" H

Shape - Straight

Leg Style - Metal Legs

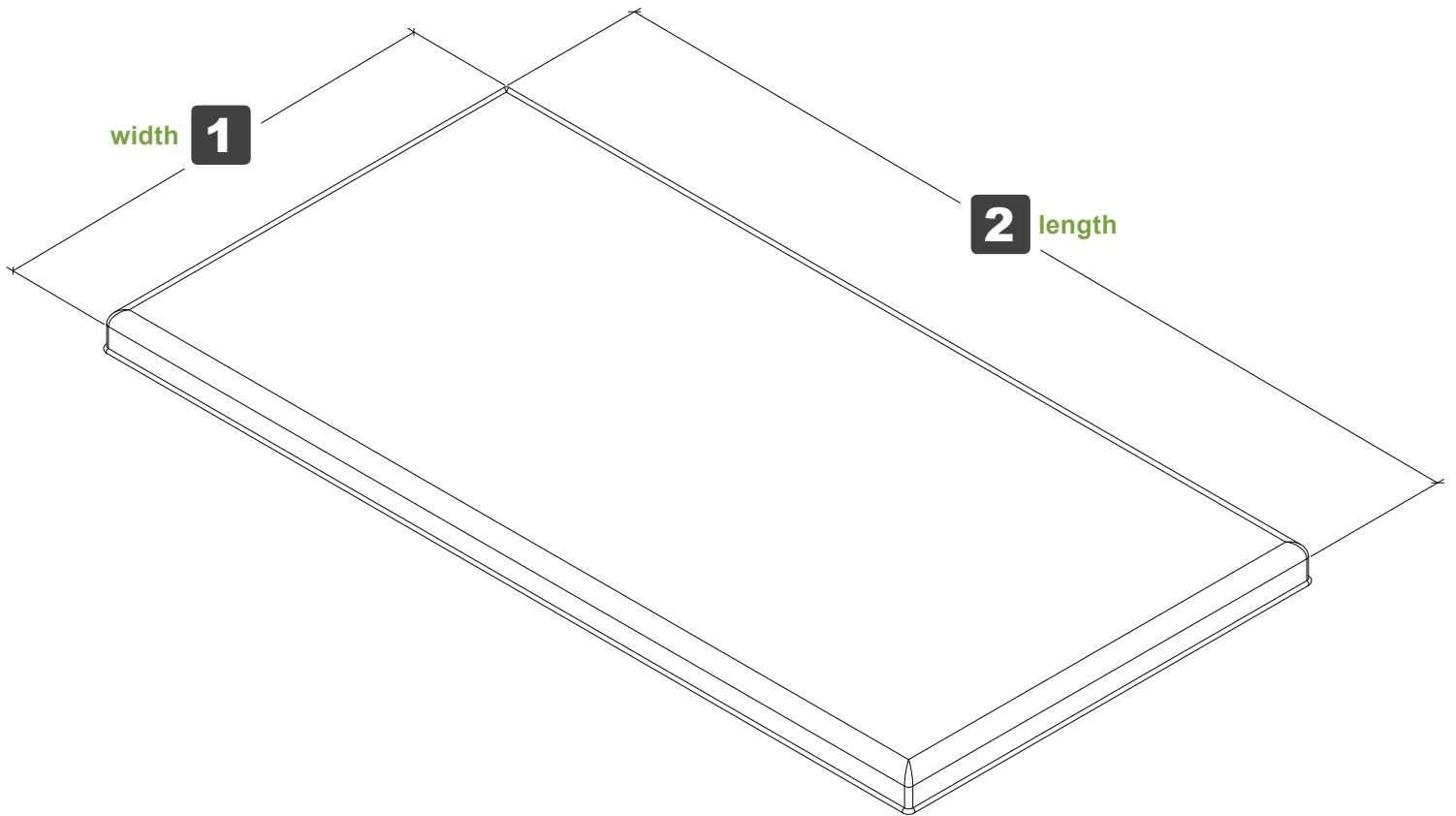
Power - 2 Power; Silver Pearl

Tahoe

Top Cushion | Build Guide

Use the following guide to **determine the catalog number** for your Tahoe Occasional Table by **selecting your choice** from the available options. To **determine your list price**, add all prices for your selected items from the table to the right.

TA - OT - **width 1** **length 2** **cushion type 3**

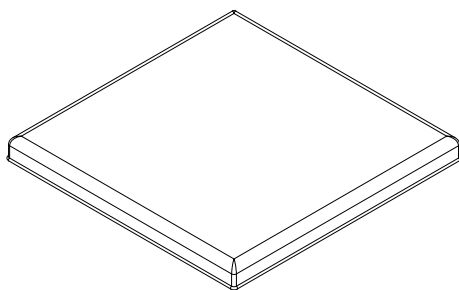


Unit Shown TA-OT-2448TC-G2

List Price \$485

Required Selections							
Component	Code	Description	24" Long	36" Long	48" Long	60" Long	
1	Width	24 24" Wide	\$269	\$363	\$457	\$551	
2	Length	24 24" Long	\$0	-	-	-	
		36 36" Long	-	\$0	-	-	
		48 48" Long	-	-	\$0	-	
		60 60" Long	-	-	-	\$0	
3	Cushion Type	TC Top Cushion	\$0	\$0	\$0	\$0	

Fabric Selections								
Component	Code	Description	24" Long	36" Long	48" Long	60" Long		
4	Fabric Grade	-COM Customers Own Material	\$0	\$0	\$0	\$0		
			fabric requirements:	0.5 yards	0.75 yards	1 yards	1.25 yards	
		-G1 Grade 1	\$0	\$0	\$0	\$0		
		-G2 Grade 2	\$14	\$21	\$28	\$35		
		-G3 Grade 3	\$28	\$42	\$56	\$70		
		-G4 Grade 4	\$42	\$63	\$84	\$105		
		-G5 Grade 5	\$56	\$84	\$112	\$140		
		-G6 Grade 6	\$70	\$105	\$140	\$175		
		-G7 Grade 7	\$84	\$126	\$168	\$210		
-G8 Grade 8	\$98	\$147	\$196	\$245				

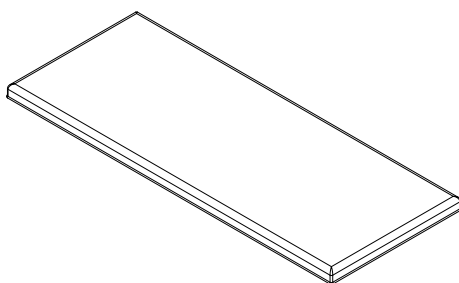


TA-OT-2424TC-G1

List Price - \$269

Actual Footprint - 24" W x 24" L x 2" H

Fabric Grade - 1



TA-OT-2460TC-G4

List Price - \$656

Actual Footprint - 24" W x 60" L x 2" H

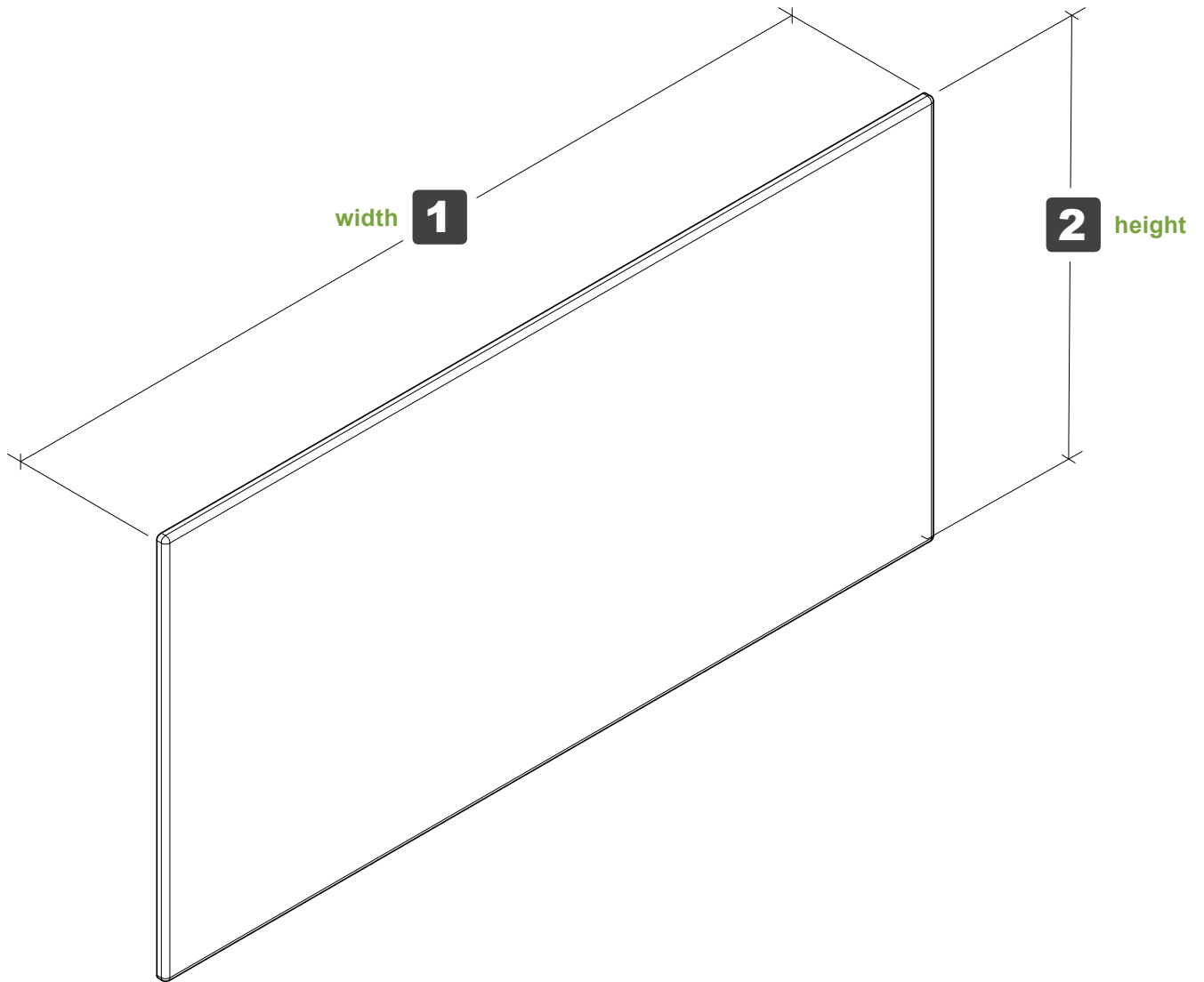
Fabric Grade - 4

Tahoe

Fabric Panel | Build Guide

Use the following guide to **determine the catalog number** for your Tahoe Occasional Table by **selecting your choice** from the available options. To **determine your list price**, add all prices for your selected items from the table to the right.

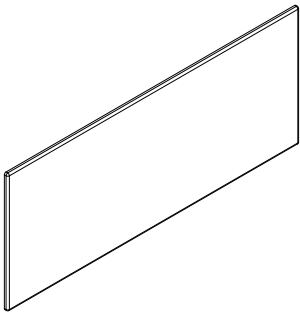
TA - OT - **width** **height** **panel type**
1 **2** **3**



Unit Shown TA-OT-2418FP-G1

List Price \$168

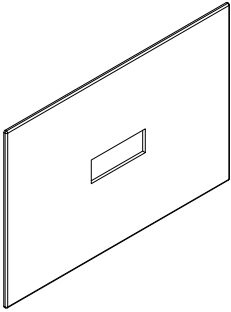
Required Selections						
Component	Code	Description	16" Long	18" Long	22" Long	
1 Width	24	24" Wide	\$148	\$168	\$189	
2 Height	16	16" High	\$0	-	-	
	18	18" High	-	\$0	-	
	22	22" High	-	-	\$0	
3 Panel Type	FP	Fabric Panel	\$0	\$0	\$0	
Available Upgrades						
Component	Code	Description	16" Long	18" Long	22" Long	
4 Power	-P	Power Cutout	\$20	\$20	\$20	
Fabric Selections						
Component	Code	Description	16" Long	18" Long	22" Long	
5 Fabric Grade	-COM	Customers Own Material	\$0	\$0	\$0	
		fabric requirements:	0.5 yards	0.5 yards	0.5 yards	
	-G1	Grade 1	\$0	\$0	\$0	
	-G2	Grade 2	\$14	\$14	\$14	
	-G3	Grade 3	\$28	\$28	\$28	
	-G4	Grade 4	\$42	\$42	\$42	
	-G5	Grade 5	\$56	\$56	\$56	
	-G6	Grade 6	\$70	\$70	\$70	
	-G7	Grade 7	\$84	\$84	\$84	
-G8	Grade 8	\$98	\$98	\$98		



TA-OT-2416FP-G4

List Price - \$190

Table Size - 24" W x 16" H
Actual Footprint - 1/4" x 21-3/4" x 8-7/8"



TA-OT-2422FP-P-G1

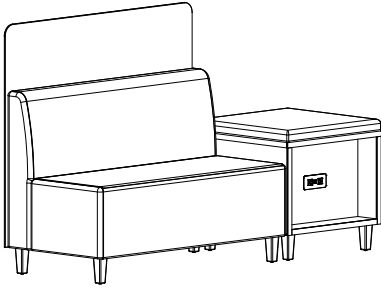
List Price - \$209

Table Size - 24" W x 22" H
Actual Footprint - 1/4" x 21-3/4" x 14-7/8"

Tahoe

Tahoe | Popular Combinations

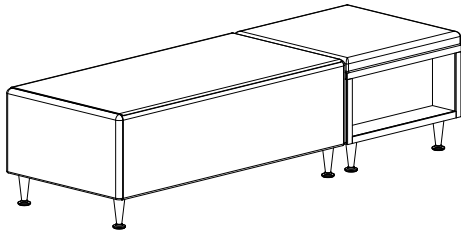
The following products are popular and frequently ordered items. The catalog number, description, and list prices are all provided. The items can be used exactly as-is, as a starting point for budgetary purposes, or simply as examples. Contact project management for any further information.



TA-LG-PC02-01

List Price - \$3,333

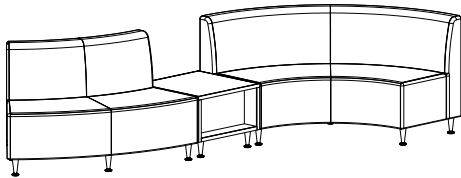
- (1) TA-LG-2448S-UB-WL-AP-G1
 - (1) TA-OT-2424S-22-WL-1PB
 - (1) TA-OT-2424TC-G1
- 2-Person combination



TA-LG-PC03-01

List Price - \$2,258

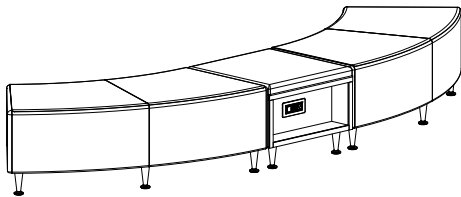
- (1) TA-LG-2448S-NB-ML-G1
 - (1) TA-OT-2424S-16-ML
 - (1) TA-OT-2424TC-G1
- 3-Person combination



TA-LG-PC04-01

List Price - \$5,014

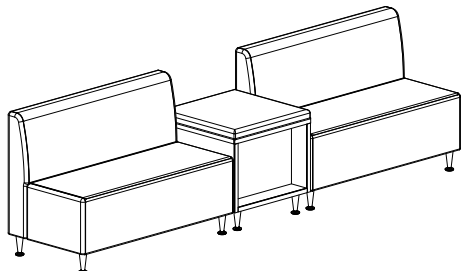
- (1) TA-LG-2445OC-UB-ML-G1
 - (1) TA-LG-2490IC-UB-ML-G1
 - (1) TA-OT-2424S-18-ML
- 4-Person combination



TA-LG-PC04-02

List Price - \$4,213

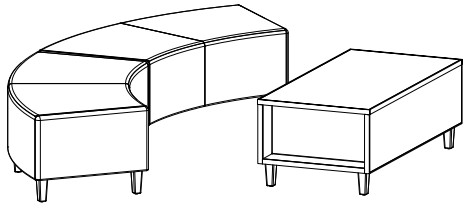
- (2) TA-LG-2445OC-NB-ML-G1
 - (1) TA-OT-2424S-16-ML-1PS
 - (1) TA-OT-2424TC-G1
- 4-Person combination



TA-LG-PC04-03

List Price - \$4,541

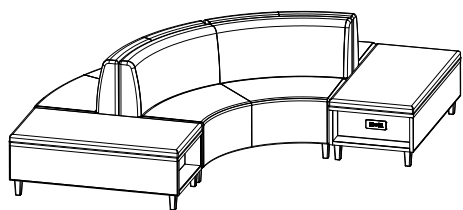
- (2) TA-LG-2448S-UB-ML-G1
 - (1) TA-OT-2424S-22-ML
 - (1) TA-OT-2424TC-G1
- 4-Person combination



TA-LG-PC04-04

List Price - \$4,498

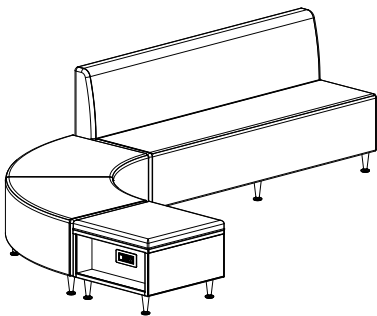
- (2) TA-LG-2445OC-NB-WL-G1
- (1) TA-OT-2448S-18-WL
- (2) TA-OT-2418FP-G1



TA-LG-PC06-01

List Price - \$10,519

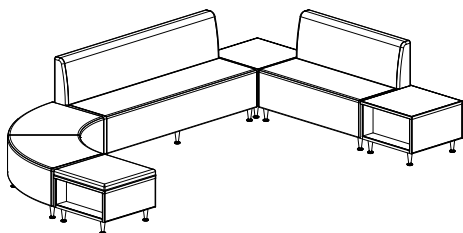
- (1) TA-LG-2490IC-UB-WL-G2
 - (2) TA-LG-2445OC-UB-WL-G2
 - (2) TA-OT-2448S-16-WL-2PS
 - (2) TA-OT-2448TC-G2
 - (4) TA-OT-2416FP-P-G2
- 6-Person combination



TA-LG-PC06-02

List Price - \$5,120

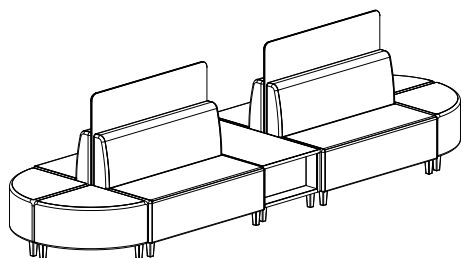
- (1) TA-LG-2490IC-NB-ML-G1
 - (1) TA-LG-2472S-UB-ML-G1
 - (1) TA-OT-2424S-16-ML-2PS
 - (1) TA-OT-2424TC-G1
- 6-Person combination



TA-LG-PC08-01

List Price - \$8,138

- (1) TA-LG-2490IC-NB-ML-G1
 - (1) TA-LG-2472S-UB-ML-G1
 - (1) TA-LG-2448S-UB-ML-G1
 - (1) TA-OT-2424S-16-ML
 - (2) TA-OT-2424S-18-ML
 - (1) TA-OT-2424TC-G1
- 6-Person combination



TA-LG-PC12-01

List Price - \$13,284

- (2) TA-LG-2448S-UB-WL-G1
 - (2) TA-LG-2448S-UB-WL-AP-G1
 - (4) TA-LG-24P-NB-WL-G1
 - (1) TA-OT-2448S-18-WL
- 12-Person combination

Accessories

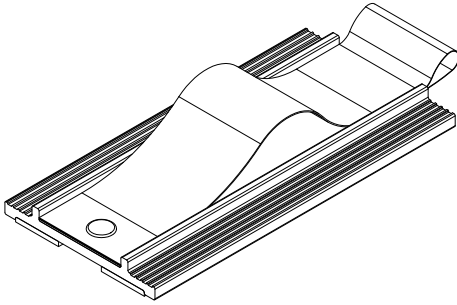
add these accessories to further enhance your space



Tahoe Accessories

Tahoe Accessories

The following products are **popular and frequently ordered Tahoe accessories**. The catalog number, description, specifications, color options, and list prices are all provided. Contact project management for any further information.



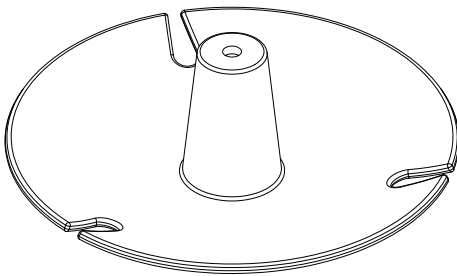
LA-WM7

VELCRO Wire Management Guide

Size - 1-3/4" x 3-1/2"

Color - Black

List Price - \$13



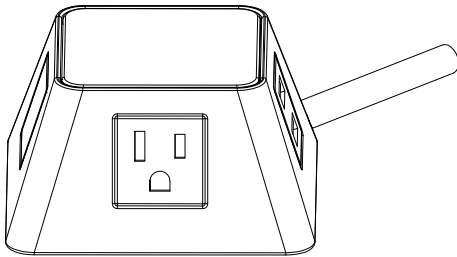
LA-WM24-90M

Under Counter Sombrero Cable Wrap

Size - 1-17/32"T x 4"Dia

Color - Black

List Price - \$20



LA-MOT4-21B-C120

Moire (Free Standing - Table Top)

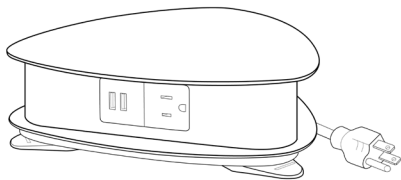
Power/Data Configuration - 2 Power; 1 USB; 1 Blank

Power Supply - 120" Cord

Finish Options - Gloss White (-W); Gloss Black (-B)

Size - 3-7/8"W x 3-7/8"L x 2"H

List Price - \$284



LA-DRI6-330-C108

Drifter (Free Standing - Table Top)

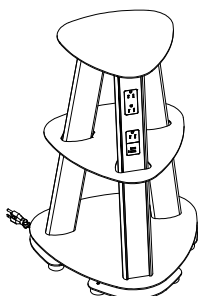
Power/Data Configuration - 3 Power; 3 USB

Power Supply - 108" Cord

Finish Options - Gloss White (-GW); Gloss Black (-GB); Silver Pearl (-S)

Size - 10"W x 10"L x 2-7/8"H

List Price - \$707



LA-ISLE-930-C108

ISLE (Free Standing - Floor Hub)

Power/Data Configuration - 9 Power; 3 USB

Power Supply - 108" Cord

Finish Options - Gloss White (-GW) Gloss Black (-B) Silver Pearl (-S)

Size - 18"W x 18"L x 25-1/2"H

List Price - \$1,679

Terms and Conditions

Tahoe Terms and Conditions

The following terms & conditions apply to all LIAT, LLC products.

1. ACCEPTANCE, MODIFICATION, ASSIGNMENT: By placing this order for furniture, material or other products (sometimes collectively referred to as "Goods"), Customer agrees to these Terms and Conditions which shall prevail over inconsistent provisions in any other form or document of Customer. No change or modification shall be applicable unless set forth in writing and signed by Company. Neither this order nor any interest therein shall be assigned by Customer except with the prior written consent of Company.

2. PRICING: LIAT, LLC assumes no responsibility for the quantities or the interpretation of competitive product. Pricing is based on standard LIAT furniture including standard construction, materials, finishes and sizes. Unit prices shall prevail. Pricing subject to change without notice. Prices are those in effect at the time of order entry.

3. PAYMENT: Customer agrees to pay deposit or down payment as required by Company. Customer agrees to pay to Company the amount indicated on the Invoice, 1% 15 days, net 30 days from date of Invoice (U.S. Funds only), for Goods ordered. **INTEREST WILL BE CHARGED AFTER 30 DAYS FROM THE DATE OF INVOICE AT THE RATE OF ONE AND A HALF PERCENT (1.5%) PER MONTH.** International sales will require additional payment arrangements. No Goods shall be sold on consignment or conditional sales basis. Payment for the Goods delivered hereunder shall constitute acceptance thereof.

4. DELIVERY: The specific terms of delivery are as stated on the sales order acknowledgment. Goods which are delivered in advance of schedule are delivered at the risk of Customer. The Company is not liable for delays or failure to ship due to fire, strike, act of God, the public enemy or other causes beyond the control of the Company. With respect to LIAT, LLC, all shipments which are F.O.B. Factory or Delivered, LIAT, LLC reserves the right to select the appropriate carrier. Special requests including, but not limited to, inside delivery, installation, and call before delivery are not included in the price. Any charges arising from failure to meet shipment, rerouting while in transit, or carrier storage charges are the responsibility of the Customer.

*LIAT product is shipped knocked down. Assembly in the field is required.

5. CARE AND MAINTENANCE: To maintain your LIAT product for years of use, please follow these care and maintenance guidelines:

Wood Care and Maintenance: Use a damp, lint free cotton cloth for general dusting. Work with the grain of the wood.

Laminate Tops: Laminates may be cleaned using a damp cloth and mild soap.

Marmoleum Tops: Marmoleum can be maintained by dry or wet maintenance systems. For detailed product specifications or maintenance information, contact Forbo Industries Support Services at 1-800-842-7839 or visit their website www.forbo-industries.com.

Metal Finishes: Mix a solution of liquid soap and warm water. Saturate a clean cloth with this mixture. Wipe down metal then dry completely.

Acrylic Products: Use only products specifically recommended for cleaning acrylic, or a mild solution of dish detergent and warm water. Do **NOT** use any cleaner containing ammonia to clean your acrylic products. Do **NOT** use a dry cloth or your hand to clean the acrylic - this will rub the dirt and dust into the acrylic and can scratch the surface.

Fabric Care: The ability to be cleaned will vary based on the type of fabric. For best results, a professional service is recommended. Dirt and crumbs may be gently brushed or vacuumed off. Spill should be wiped up immediately with a cloth. If upholstery has been protected with Scotchgard or Zepel, the coating should be re-applied yearly. Vinyl textiles can be cleaned with warm soapy water and then wiped down with a warm damp cloth.

6. CLAIMS. All shipments are delivered to the carrier in good condition and

Company's liability ceases after acceptance by carrier. If shipment arrives short or damaged, the Customer must file a claim immediately with the carrier. In the event of concealed damage, notify carrier and request an immediate inspection. Keep all cartons and packing material. Failure to file claim within 15 days after receipt of Goods constitutes acceptance and a waiver of any such claims

7. DISCLAIMER OF WARRANTIES: The express warranties below are the Company's sole warranties of its Goods, there are no understandings, agreements, representations, or warranties, express or implied (including any regarding the merchantability or fitness for a particular purpose), not specified herein, respecting the Goods. Except for those obligations of the Company identified in these Terms and Conditions, all risks related to the quality and performance of the Goods and responsibility for repair or service costs rests solely on the Customer. Company reserves the right to limit the applicable warranty to the Goods depending upon the division or catalogue through which said Goods were sold. Some states do not allow limitations on implied warranties, limitations on how long an implied warranty lasts, or the exclusion or limitation of incidental or consequential damages, so the above limitations may not apply to all Customers. This warranty gives the Customer specific legal rights, and each Customer may also have other rights which vary from state to state.

8. EXPRESS WARRANTIES: The express warranties of the Company are as follows:

LIAT, LLC

LIAT, LLC WARRANTS TO THE ORIGINAL PURCHASER THAT EACH CASEGOOD WILL BE FREE FROM DEFECTS IN WORKMANSHIP GIVEN NORMAL USE FOR A PERIOD OF TWENTY (20) YEARS OF SINGLE SHIFT SERVICE. LIAT WARRANTS THEIR SEATING PRODUCTS TO THE ORIGINAL PURCHASER THAT EACH PIECE OF FURNITURE WILL BE FREE FROM DEFECTS GIVEN NORMAL USE FOR FIVE (5) YEARS. LIAT, LLC WILL, AT ITS OPTION, REPAIR OR REPLACE ANY DEFECTIVE FURNITURE WITHIN THE TERMS OF THE WARRANTY. THIS WARRANTY DOES NOT APPLY TO DAMAGE RESULTING FROM ACCIDENT, ALTERATION, OR MISUSE. ALL LIAT ELECTRICAL COMPONENTS AND ACCESSORIES ARE WARRANTED TO THE EXTENT OF THE ORIGINAL MANUFACTURER.

Goods other than furniture are sold by Company to Customer without warranty.

9. ATTORNEYS' FEES: Customer shall be responsible for all expenses and costs in connection with the enforcement by Company of these Terms and Conditions and the costs of collection (including the fees of any collection agencies to whom the Customer's account may be referred), plus reasonable attorneys' fees (which attorneys' fees shall not be less than 25% of the amount due, unless a lower amount is specified by applicable law).

10. CANCELLATION: All cancellations must be made in writing. Administrative and/or labor charges may be incurred by the Customer depending upon the production stage of the order. Orders specifying special finish cannot be cancelled once finishing has begun. Cancellations cannot be accepted once final production has begun.

11. ORDER CHANGES: All changes to an order must be made in writing and are subject to Company's ability to conform. Administrative and/or labor charges may be incurred by the Customer depending upon the production stage of the order. Once final production has begun, no changes can be accepted.

12. REMEDIES: The remedies herein reserved shall be cumulative, and additional to any other or further remedies provided in law or equity. No waiver of a breach of any provision of these Terms and Conditions shall constitute waiver of any other breach or of such provision.

13. INSOLVENCY: Company may forthwith cancel this order in the event of the happening of any of the following or any other comparable event: insolvency of the Customer, the filing of a voluntary petition in bankruptcy, the filing of any involuntary petition to have Customer declared bankrupt provided it is not vacated within thirty (30) days from the date of filing, the appointment of a receiver or trustee for Customer provided such appointment is not vacated within thirty (30) days from the date of such appointment, or the execution by Customer of an assignment for the benefit of creditors.

14. LIMITATION OF LIABILITY: The Company shall not under any circumstances be liable to the Customer, owner of the Goods or any third party for special, indirect, incidental, or consequential damages, including, without limitation, loss of profits or revenues, loss or damage to other property or equipment, cost of capital or of purchased or replacement goods, or expense, delay or inconvenience caused by or arising from the purchase, sale, use, repair or inability to use the Goods or by any performance or non-performance under, or breach of, these Terms and Conditions. The Company's sole liability for any defective Goods shall be its repair or its replacement pursuant to the Express Warranties set forth above, or if amended, as applicable at the time of manufacture or repair of the Goods. Some states do not allow the exclusion or limitation of incidental or consequential damages, so the above limitations or exclusion may not apply to all Customers. Any action resulting from any breach on the part of Company as to the Goods or services delivered hereunder must be commenced within one year after the cause of action has occurred.

15. RETURNS AND ALLOWANCES: Reasonable touch-up and deluxing is the dealer's responsibility. The Company will not make allowances for trip or delivery charges, but will only make allowance for actual work performed to correct manufacturing defects. Allowances may be authorized only by a Company officer. It is the responsibility of the field sales representatives to inspect any defective merchandise and make suggestions and recommendations as to the proper disposition. Field personnel cannot obligate or bind the Company by definite agreement, without final authorization by a Company officer. Company will not accept automatic charge backs which do not have prior authorization. All defects must be called to the Company's attention upon arrival at the Customer's "Ship To" destination. To initiate any type of claim or request for parts, it is imperative to have the model number or fabric number, which may be located on the tag attached to the frame of the unit. Authorization for return to the Company for any reason must be issued by the Company via a Return Goods Authorization. Any authorized returns not due to damage or defect will be assessed a 30% restocking charge and all return freight charges must be prepaid. Company will not issue credit allowances for any repairs without Company's prior consent. Under no circumstances shall the Company accept COD (Cash on Delivery) returns, and any such shipment will be refused.

16. SECURITY AGREEMENT: The Company may require and Customer shall grant a security interest in Goods sold pursuant to any credit the Company may extend to the Customer.

17. GOVERNING LAW: All disputes between the parties, whether or not arising out of these Terms and Conditions, will be governed by the laws of the State of North Carolina. Customer agrees to submit to the jurisdiction of and agrees all lawsuits relating to any disputes between the Customer and the Company will be brought only in a state court located in Dubois County, North Carolina or the United States District Court for the Southern District of

North Carolina. THE CUSTOMER HEREBY WAIVES THE RIGHT TO A TRIAL BY JURY IN ANY ACTION, PROCEEDING, CLAIM, OR COUNTERCLAIM WHETHER IN CONTRACT OR TORT, AT LAW OR IN EQUITY, ARISING OUT OF OR RELATING IN ANY WAY TO THESE TERMS AND CONDITIONS AND ALL OTHER DISPUTES BETWEEN THE PARTIES.

18. MITIGATION: If the Company repossesses the Goods prior to payment by the Customer of all amounts due hereunder, the Company may sell the Goods, AS IS, WHERE IS, free and clear of all rights of the Customer at either public or private sale, and apply the net proceeds (after deducting expenses of repossession and sale) to the obligation of Customer hereunder. The Customer shall remain liable for any deficiency. THE COMPANY MAY DISPOSE OF THE GOODS IN ANY COMMERCIALY REASONABLE PLACE AND MANNER AND THE CUSTOMER WAIVES ANY NOTICE OF TIME, PLACE AND MANNER OF SALE.

19. INTEGRATION: This order for Goods, including these Terms and Conditions, along with any Credit Application, Invoice, Statement, Dealer Contract, Acknowledgment, Bill of Lading (and any exhibits, addenda or amendments thereto) of which this order may be a part, constitutes the sole and complete agreement between the Company and the Customer with respect to the purchase of the Goods.

20. DIMENSIONS/SPECIFICATIONS/FINISHES: All dimensions are approximate and may vary due to the upholstery technique of each craftsman. If exact dimensions are required, it is necessary for the Customer to state such specifications with the order. Detailed specification sheets are available for each series of Goods, and Customer should consult the Company's Customer Service Department for these specification sheets. Company reserves the right to make changes in dimensions, style, or specifications if Company believes these changes will improve the Goods' quality or appearance. Company reserves the right to substitute hardwoods due to availability at production. Due to the natural characteristics of wood, environmental effects, and material upgrades, the Company cannot guarantee exact finish matches on existing Goods previously ordered from Company. If an exact match to Customer's existing Goods are required, it must be specified so that the proper procedures can be followed to ensure an acceptable finish. Company will accept no liability for the finish if this procedure is not followed. Company reserves the right to make changes in a finish formula if Company believes the change will improve the quality or appearance of Company's Goods.

21. ACKNOWLEDGEMENT: All orders will be acknowledged promptly, showing how the order was entered, the approximate shipping time and other pertinent information. It is the Customer's obligation to examine this acknowledgment carefully and notify Company immediately of any discrepancies. Every reasonable effort is made to ship as acknowledged, however, the acknowledged ship date is approximate. Company will generally ship within five (5) working days of the acknowledged ship date. If a firm ship date is necessary, Customer must inform Company at time of order and Company will make all reasonable efforts to meet each Customer's request. Acknowledged shipping dates are contingent upon the force majeure conditions contained in these Terms and Conditions.

22. COMPANY'S PERFORMANCE OF ITS OBLIGATIONS: The production and delivery of the Goods to the extent delayed or hindered or prevented from the performance by reason of natural disasters, acts of God, strikes, lockouts, labor troubles, inability to procure materials, casualties, failure of power, restrictive governmental laws or regulations, riots, insurrection, acts of terrorism, war or other reason of a like nature not the fault of the Company shall excuse for the period of the delay the Company's performance and the period for the performance shall be extended for a period equivalent to the period of such delay.

GSA Terms and Conditions

Contractor: LIAT LLC, dba Jasper Library Furniture
Business Size: Small Business
Cage Code: 6BHB5
Contract Number: GS-28F-004AA
Contract Period: 10/10/12 thru 10/09/17

694 North Main Street
Troutman, NC 28166
Phone: 888.440.8205
Fax: 704.528.6519
Web Site: www.liatfurniture.com
E-mail: blish@liatfurniture.com
Contract Administration: Brian Lish

- 1a. Item Description: Furniture Systems and Workstation Clusters Special Item Numbers (SIN) Awarded: SIN 71-305 Library Furniture
2. Maximum Order: \$100,000.00 net
3. Minimum Order: \$100.00 net
4. Geographic Coverage: 48 Contiguous States, including the District of Columbia, Alaska, Hawaii, and Puerto Rico.
5. Point of Production: Same as company address
6. Discount: 58.5% off of list price (inclusive of IFF)
7. Quantity Discounts: None
8. Prompt Payment Terms: 1% discount for payments received in less than 20 days.
- 9a. Government Commercial Credit Card: Government commercial credit cards (Visa & MC) are not accepted.
- 9b. Discount for Government Credit Card: N/A
10. Foreign Items: None
- 11a. Time of Delivery: 6 to 8 weeks.
- 11b. Expedited Delivery: Negotiated on an order by order basis.
- 11c. Overnight and 2-Day Delivery: Contact contractor for availability and additional shipping charges.
- 11d. Urgent Requirements: Available upon request.
12. F.O.B Point: Destination

- 13a. Ordering Address: Same as Contractor
14. Payment Address: Same as company address.
15. Warranty Provisions: LIAT warrants their casegoods to the original purchaser that each piece of furniture will be free from defects in workmanship given normal use for a period of twenty years. LIAT will, at its option, repair or replace any defective merchandise within the terms of the warranty. LIAT warrants their seating products to the original purchaser that each piece of furniture will be free from defects in workmanship given normal use for five years. The casegoods and seating warranties do not apply to damage resulting from accident, alteration, or misuse. All LIAT electrical components and accessories are warranted to the extent of the original manufacturer.
16. Export Packing Charges: N/A
17. Terms and Conditions of Government Commercial Credit Card Acceptance: N/A
18. Terms and Conditions of rental, maintenance, and repair: N/A
19. Terms and Conditions of Installation: Negotiated on a case by case basis with the participating dealer.
20. Terms and Conditions of Repair Parts: N/A
21. List of Service and Distribution Points: N/A
22. Participating Dealer: Contact LIAT for a list of participants.
23. Preventative Maintenance: N/A
- 24a. Environmental Attributes: N/A
25. Data Universal Numbering System (DUNS) number: 038281451
- 26: Notification regarding registration in Central Registration (CCR) database: Registered

LIAT 

design the furniture. *innovate* the space. *engage* the users.

liatfurniture.com

694 North Main Street · Troutman, NC 28166
TF 888 440 8205 · F 704 528 6519