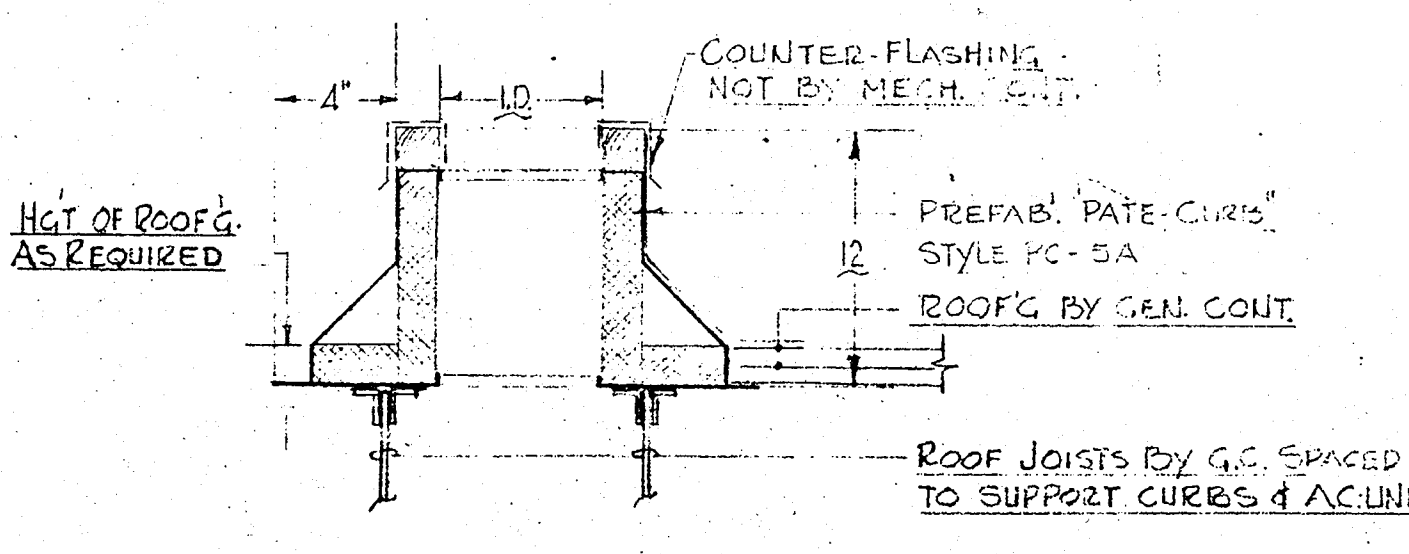
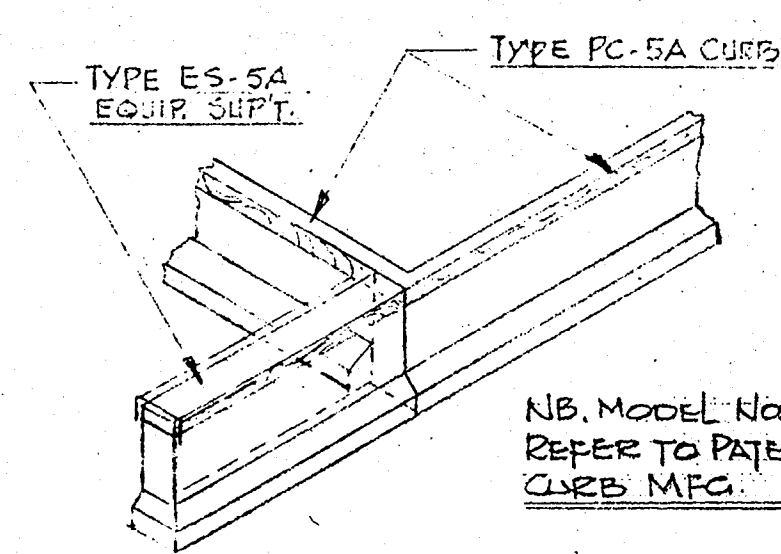
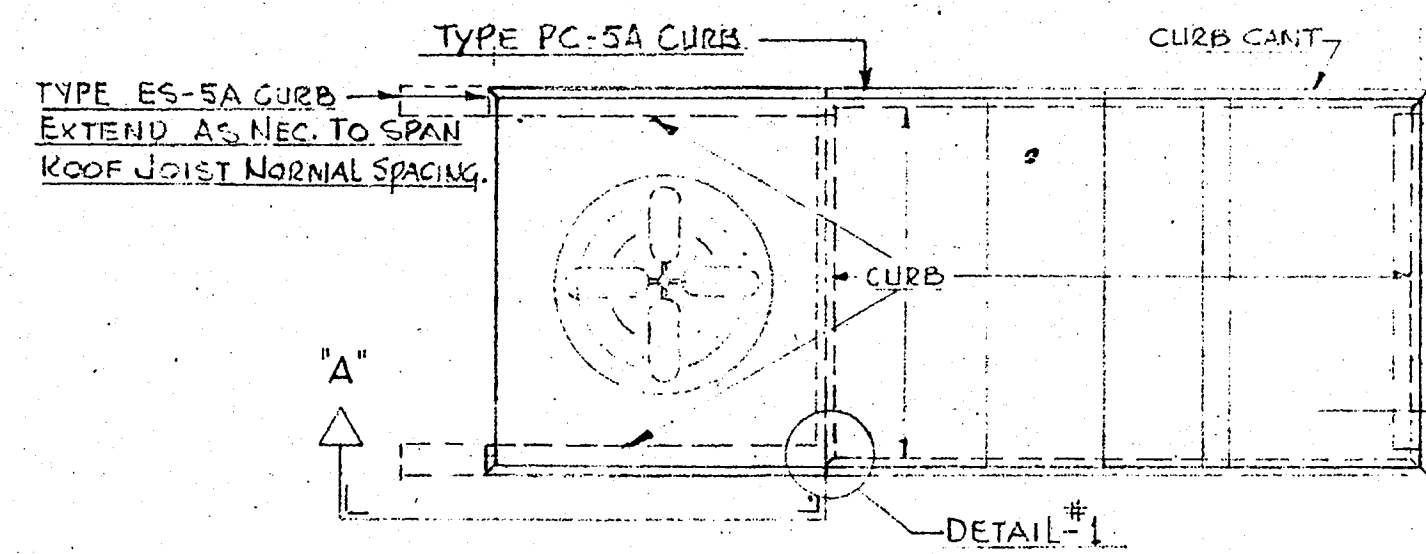
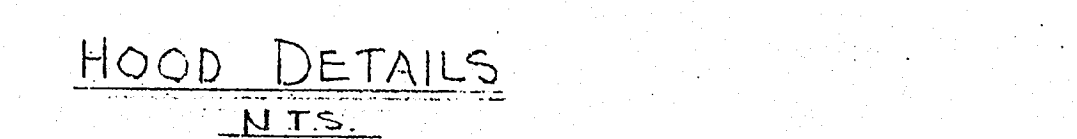
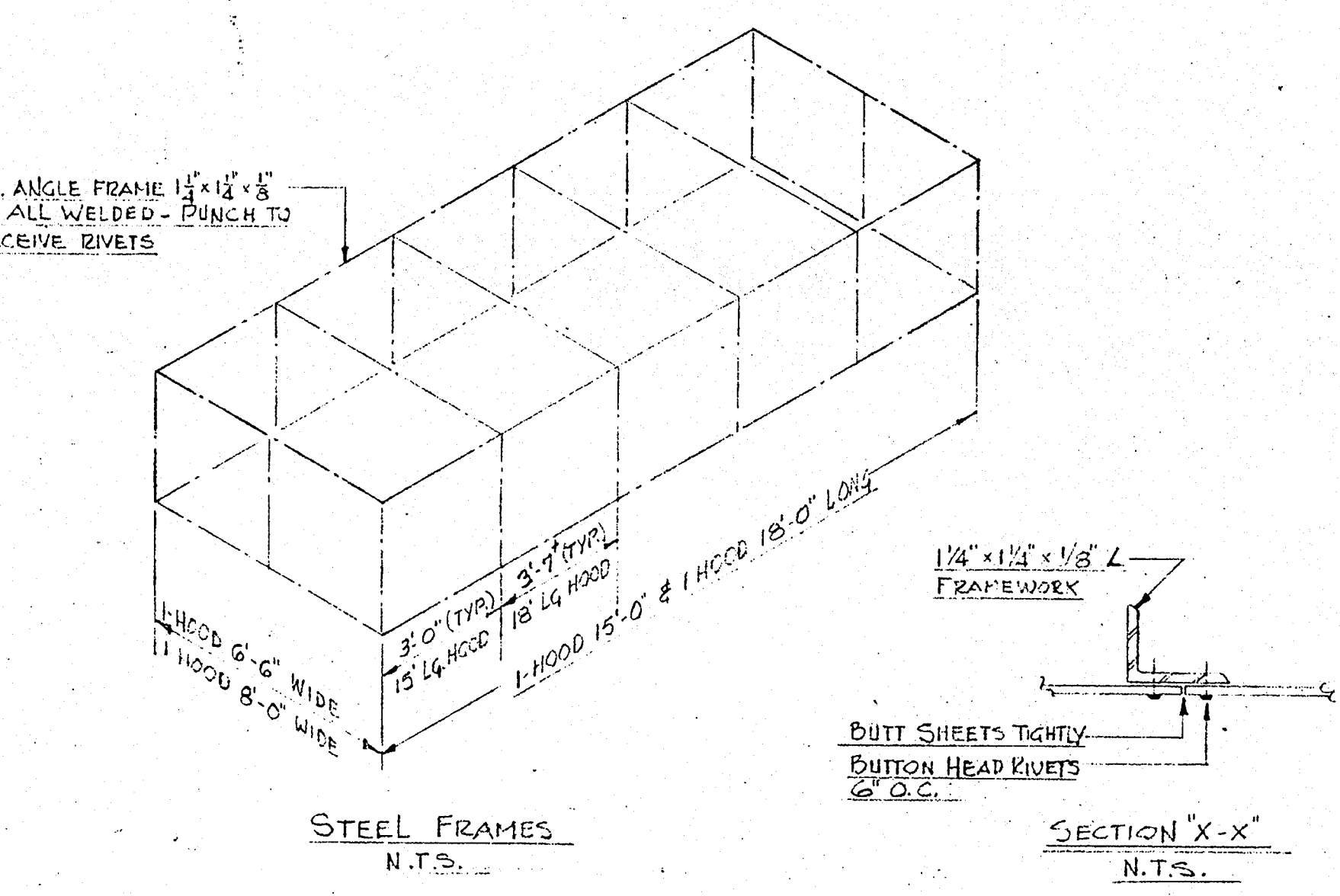
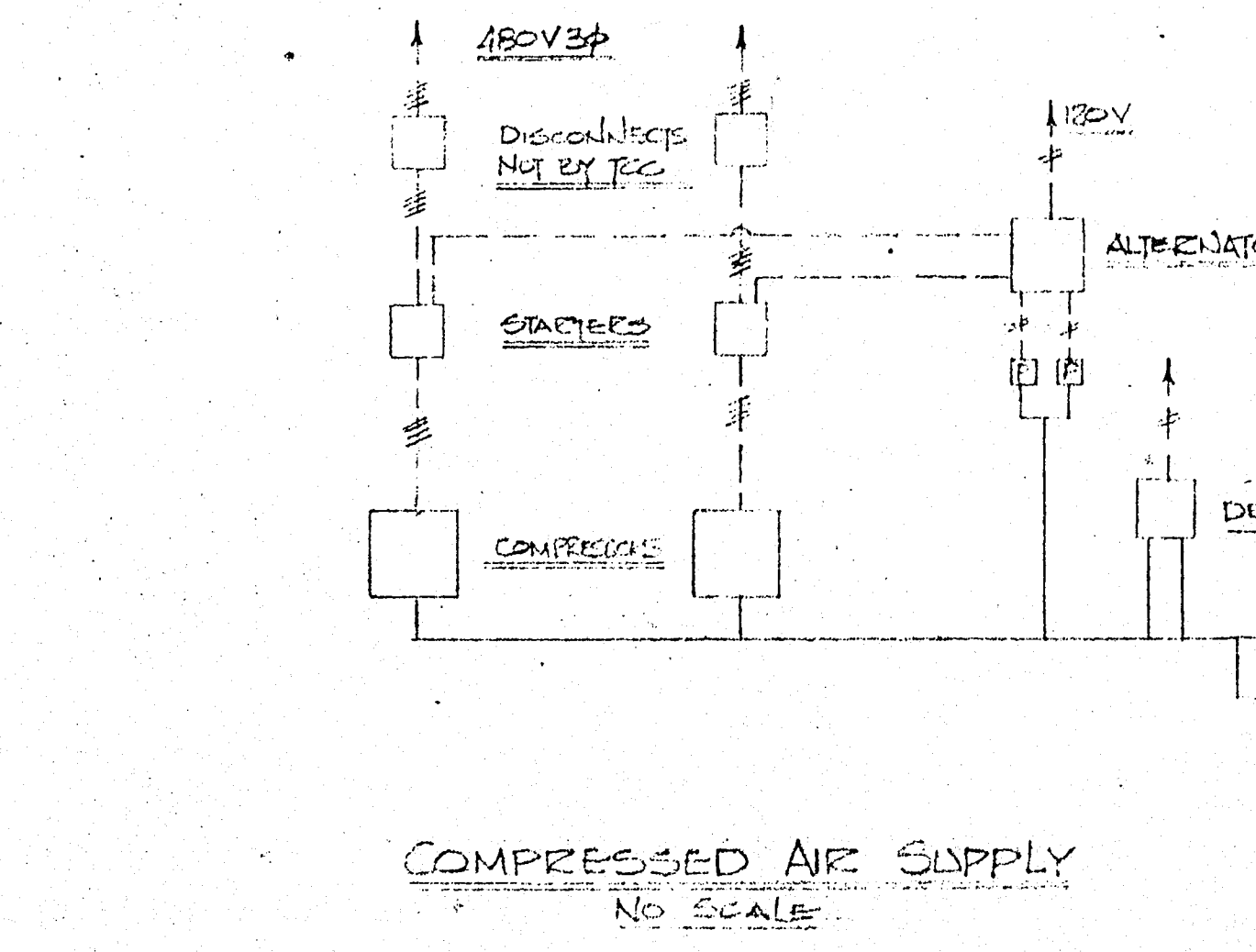
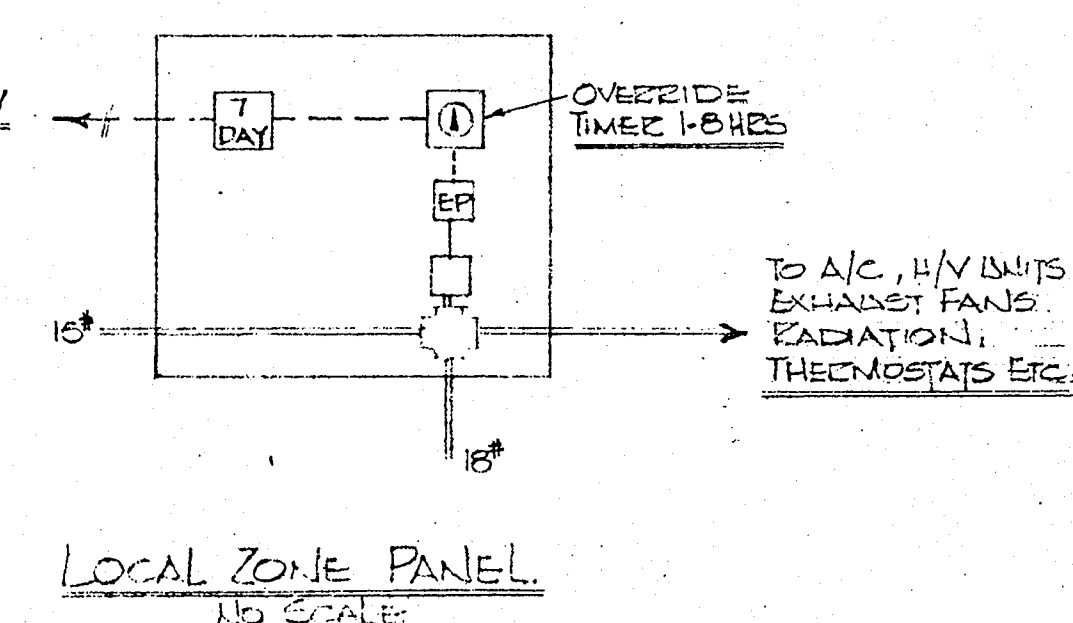
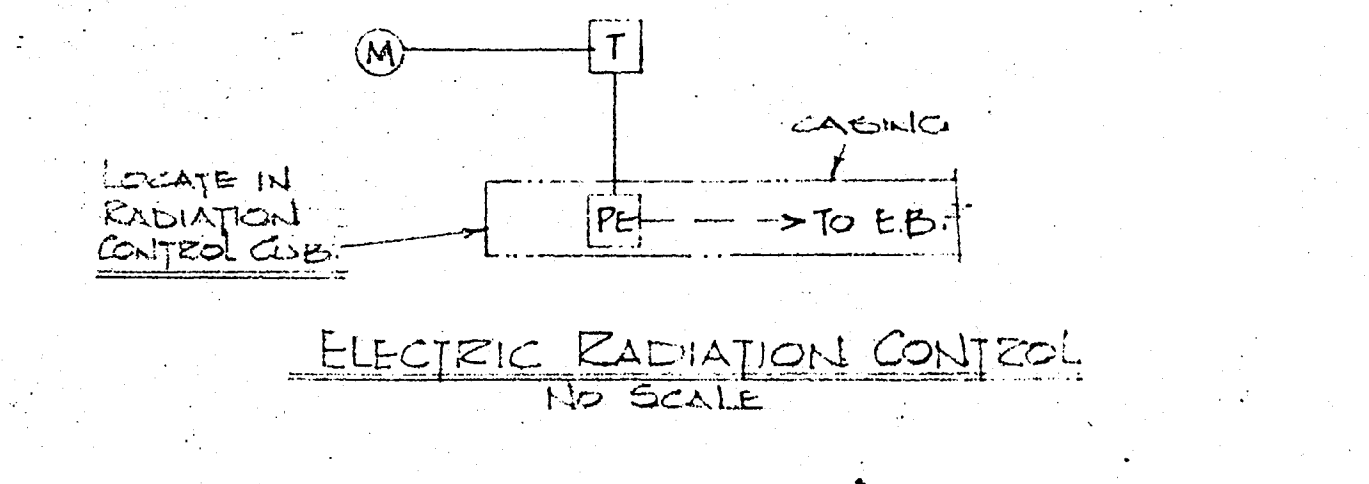
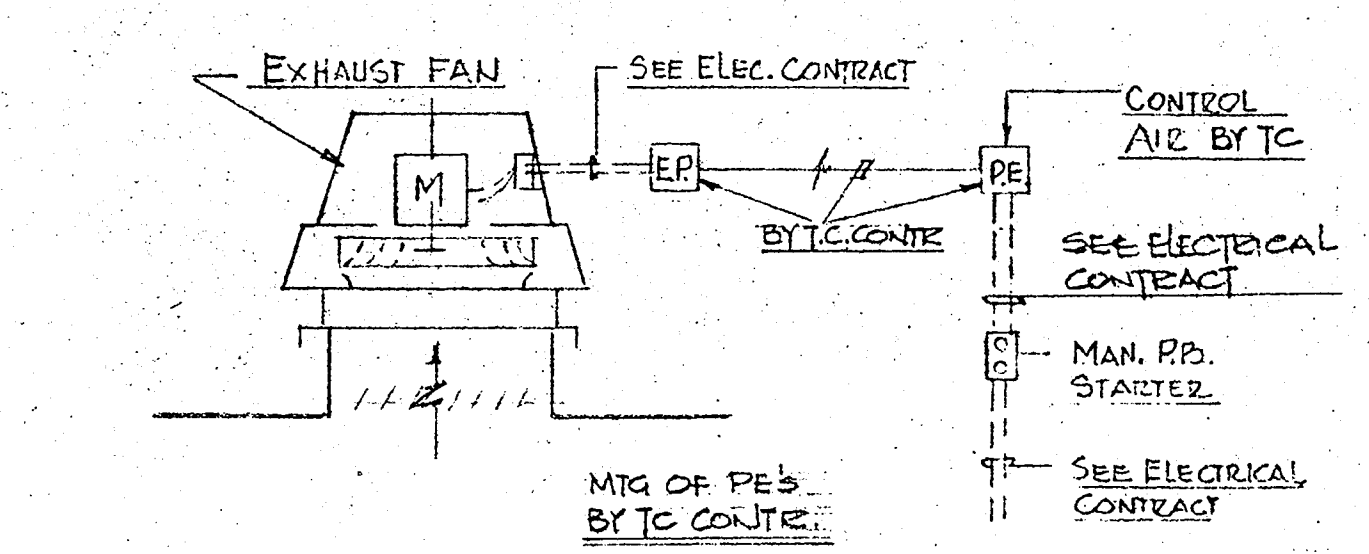
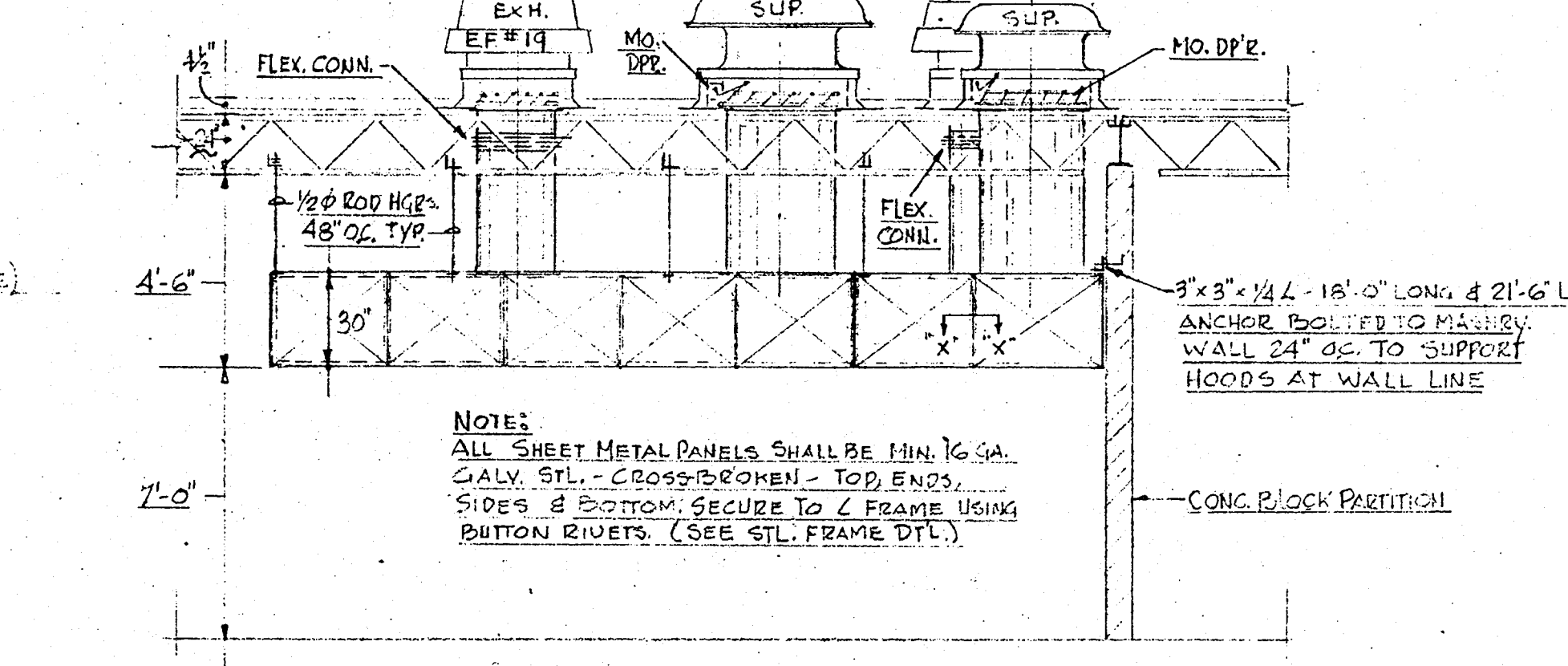
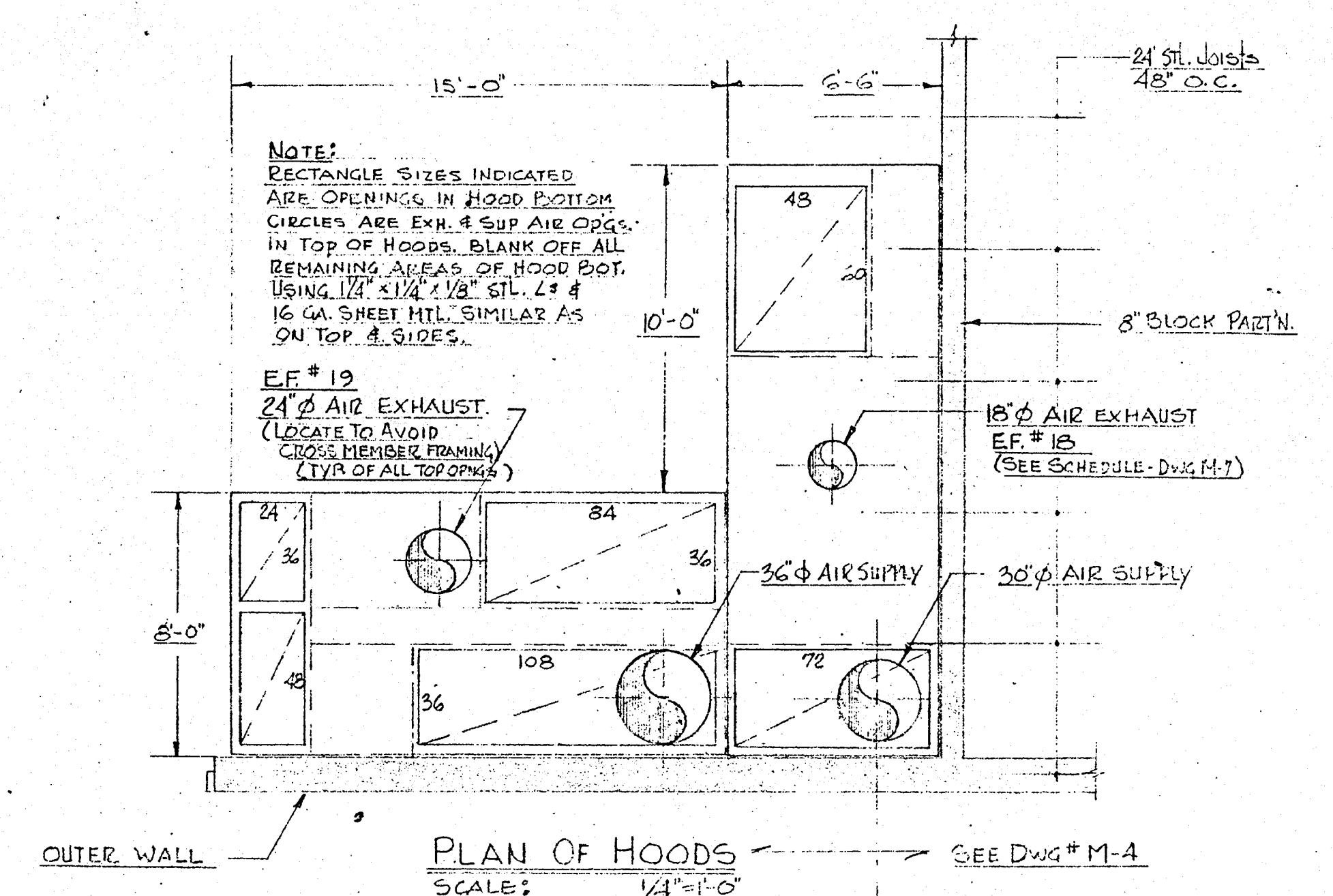
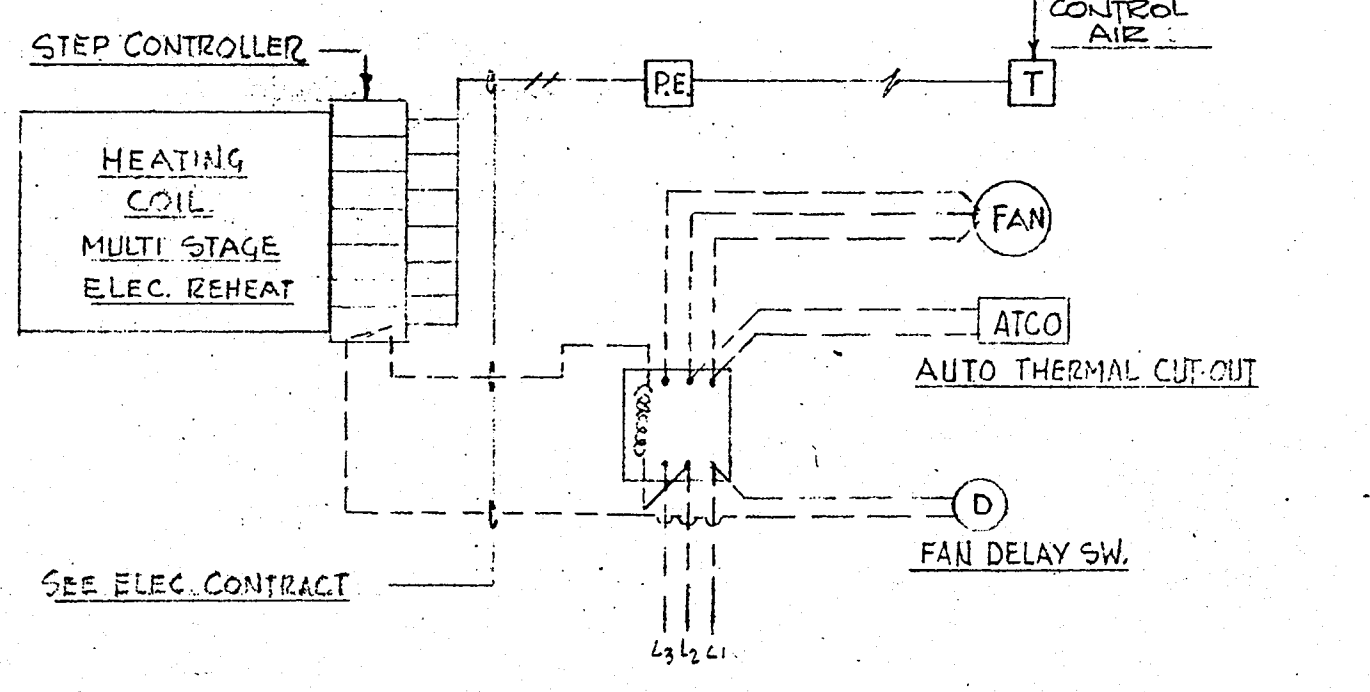
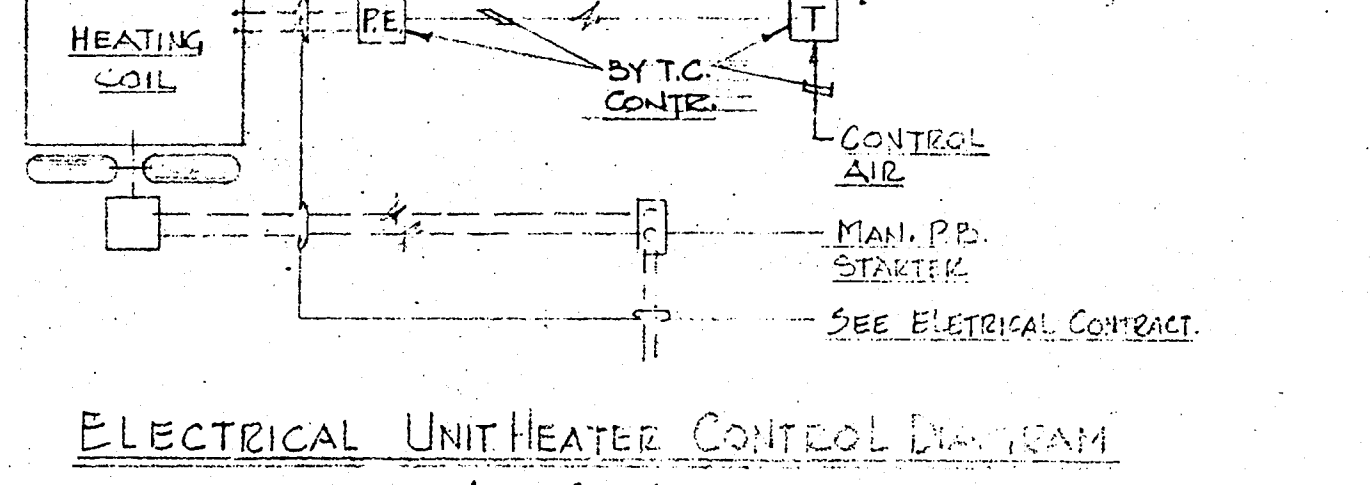
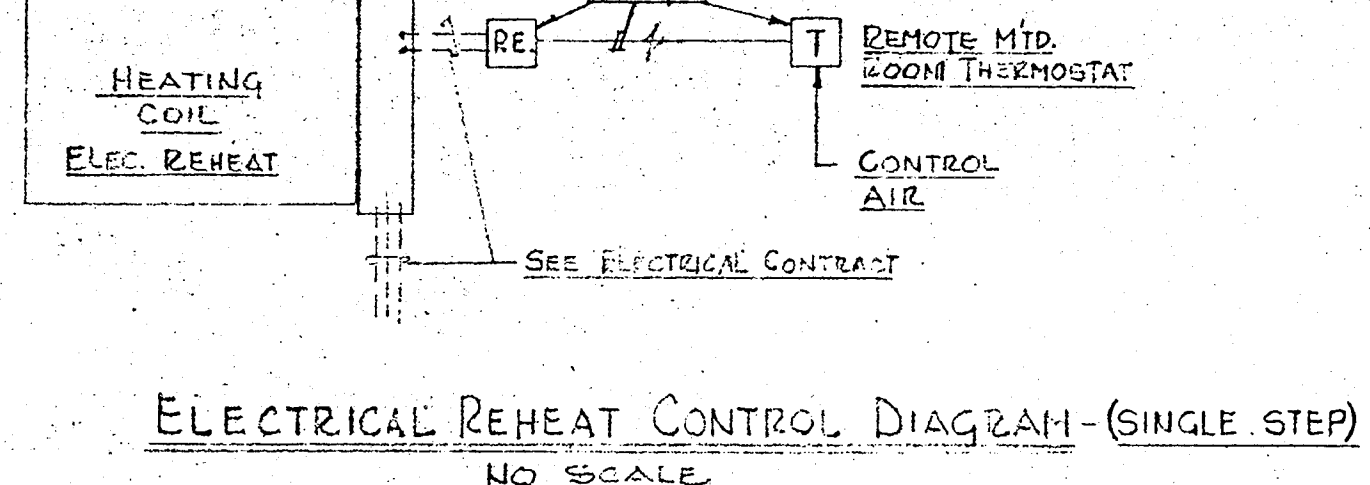
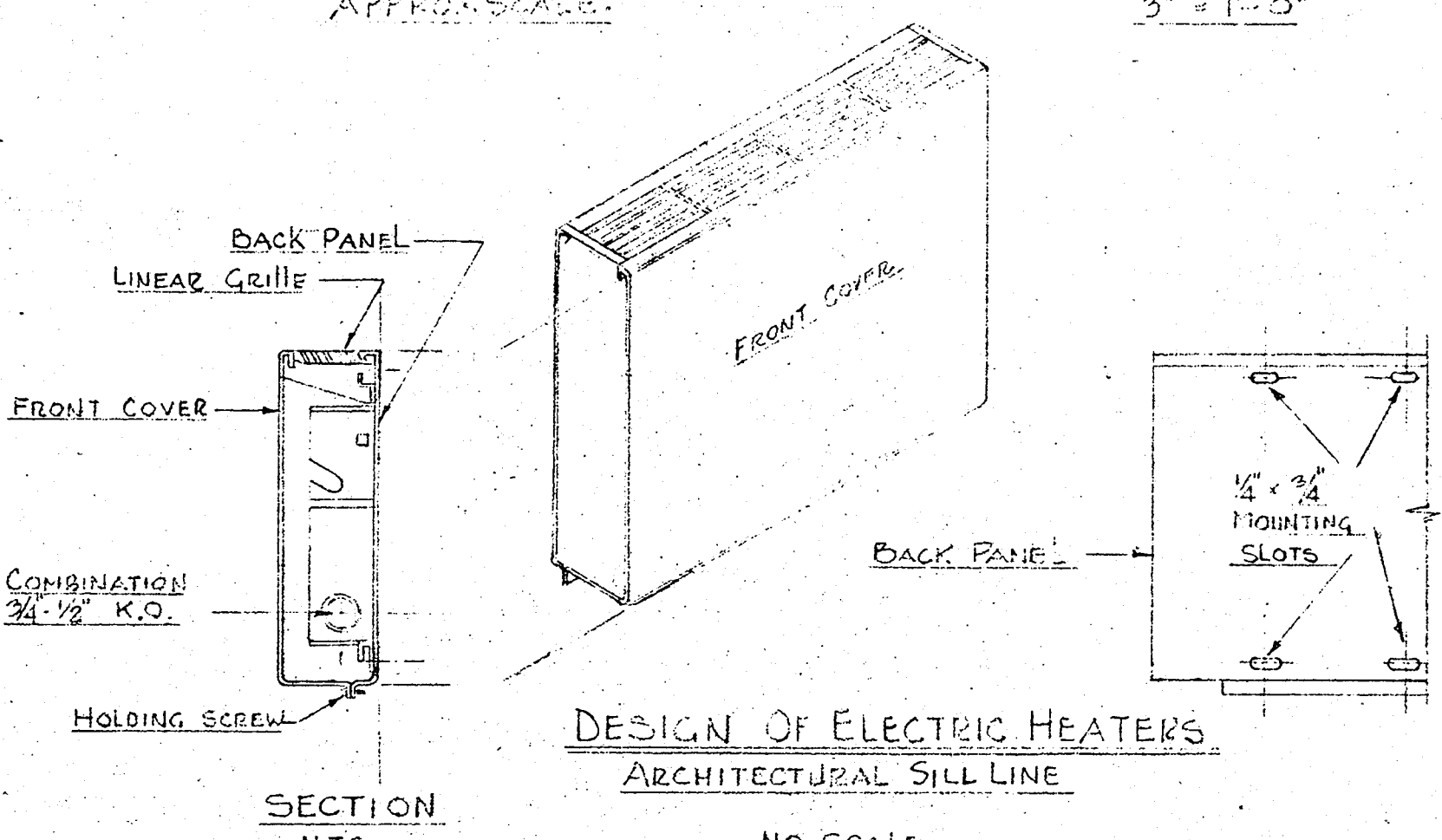
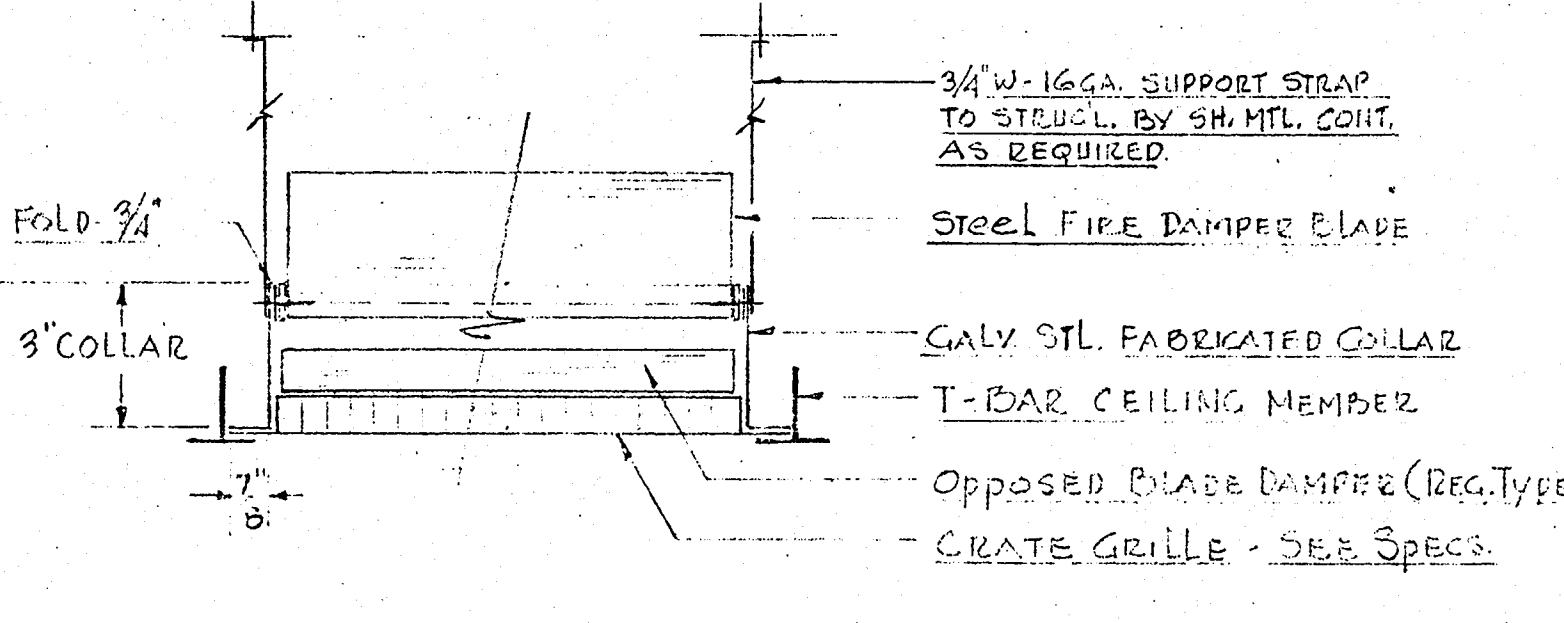
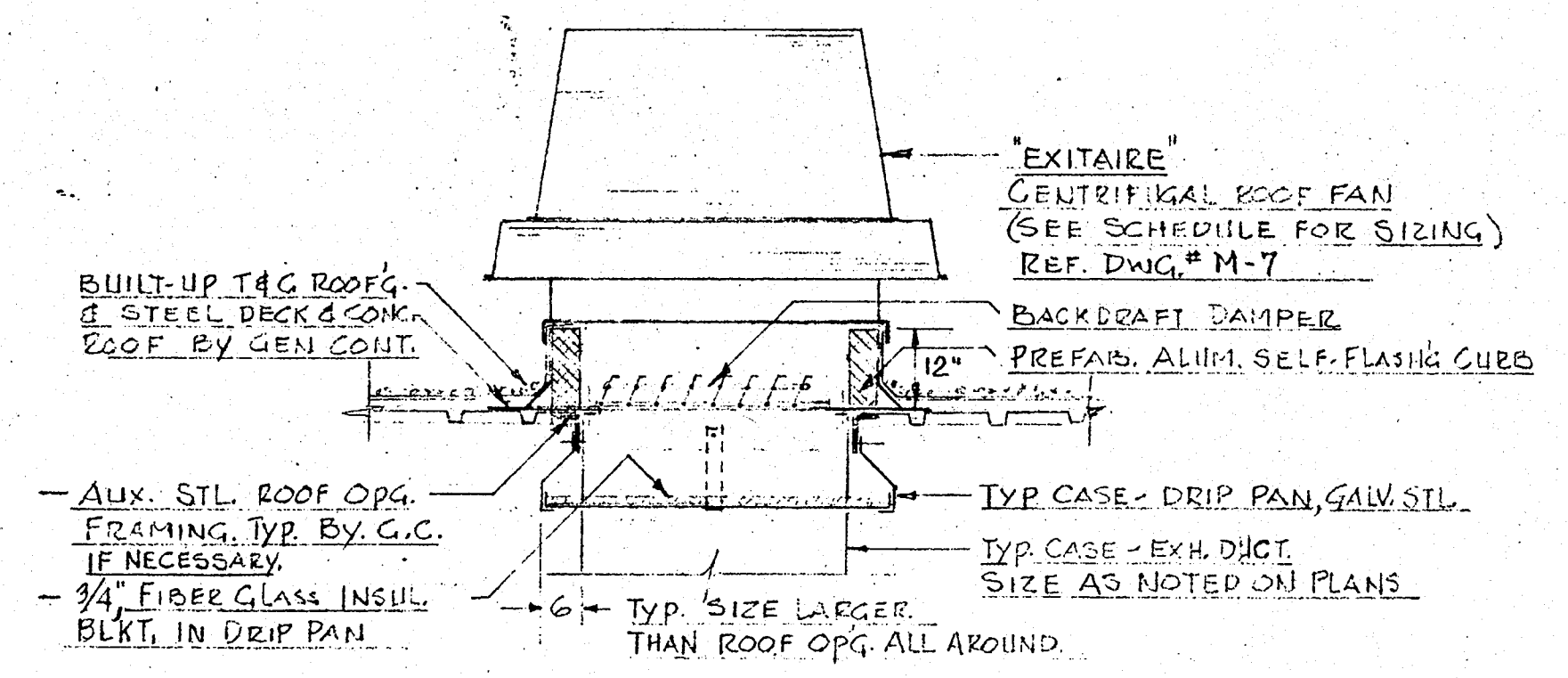
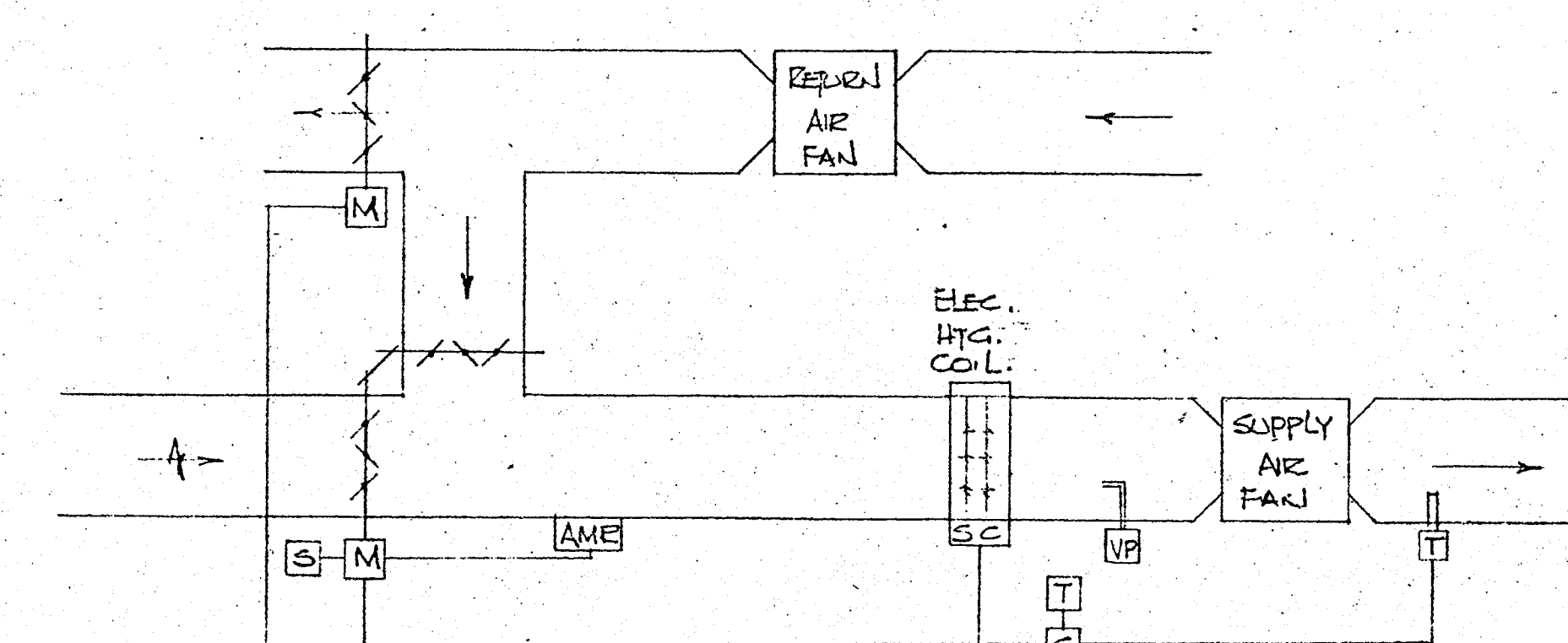
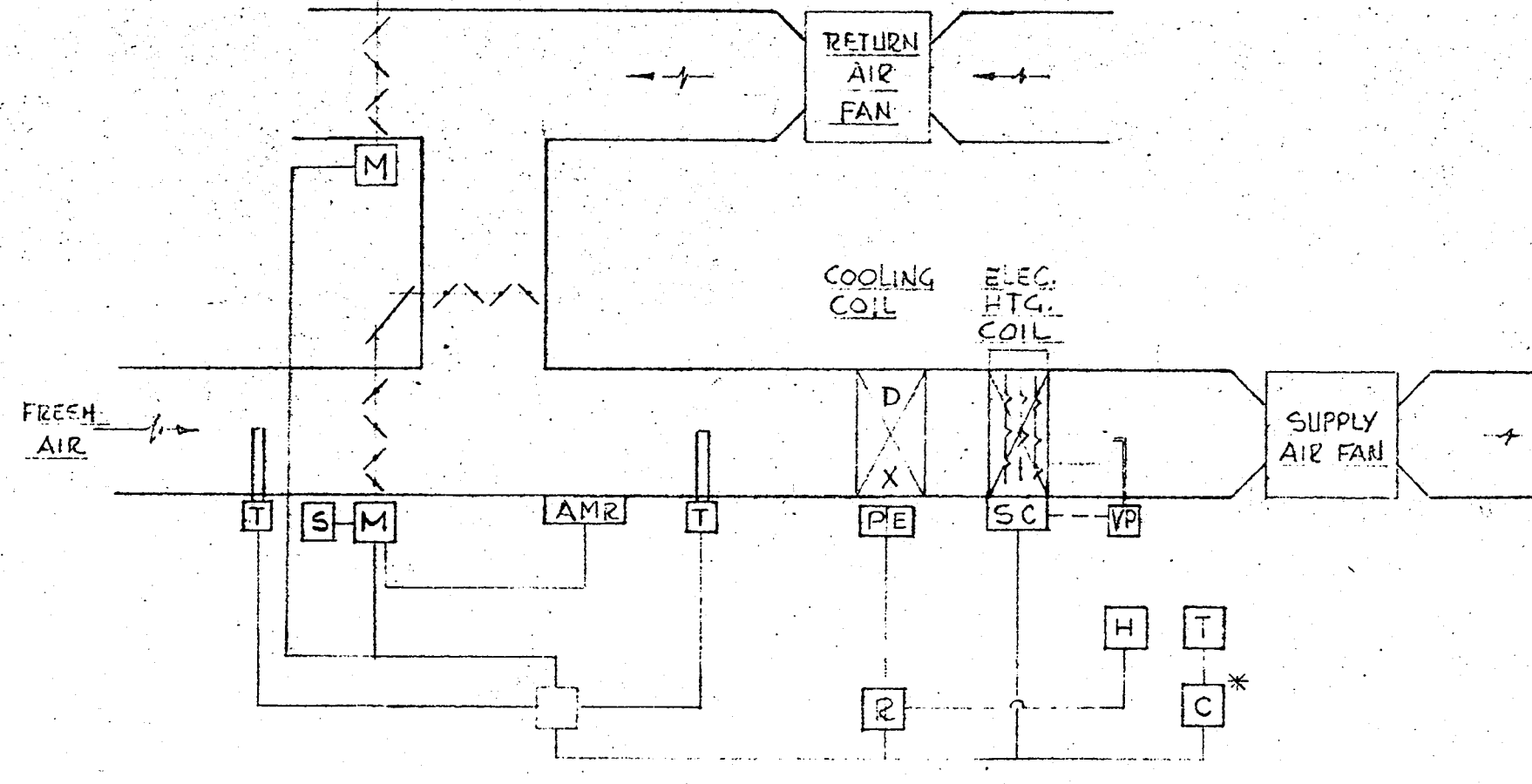


AUXILIARY STEEL BY G.C. AS NECESSARY FOR CLOSURE.



SEQUENCE ROOM THERMOSTAT SHALL OPERATE ELECTRIC HEATING COIL FOR SH AIR DAMPERS AND D.X. COIL IN STAGES. CONTROL FA & RA DAMPERS SHALL BE SUBJECT TO A LOW LIMIT MINER AIR CONTROLLING. RESET FROM OUTSIDE TEMP SET + 50°F. ON FAN SHUTDOWN, FA DAMPER COOLING & ELRZ HEATING COIL SHALL REMAIN OFF. ABOVE 70°F OUTSIDE TEMP, FA DAMPERS SHALL ASSUME MIN. VENTILATION POSITION.



**HVAC DETAILS**  
THE PARTNERSHIP OF LYONS · MATHER · LECHNER Architects  
BRIDGEPORT CONNECTICUT

MIDDLE SCHOOL — HIGH SCHOOL  
SHEPARD VALLEY REGIONAL SCHOOL DISTRICT NO. 12  
DATE: 7-22-70 JOB NO. 826  
DRAWN: E.G. CHECKED: A.T.  
REVISIONS

**M9**