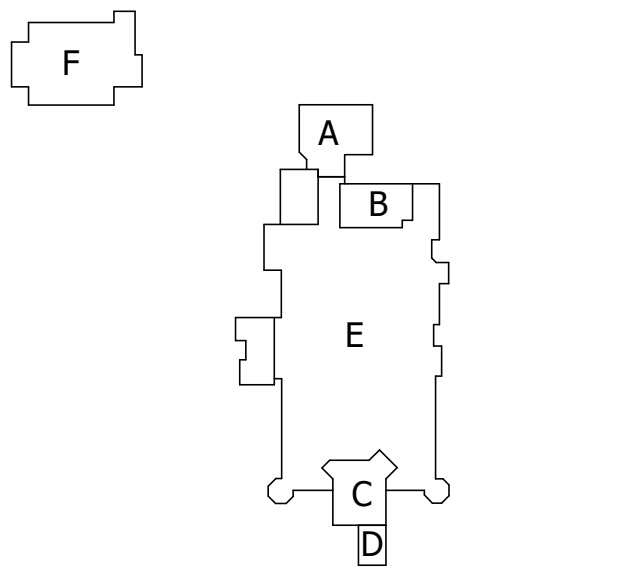


NOTE: THESE DOCUMENTS ARE NOT THE CONTRACT DOCUMENTS. THIS SET IS ISSUED SOLELY FOR THE CONVENIENCE OF THE CONSTRUCTION MANAGER. IT IS A COMPILED OF THE BID DOCUMENTS AND PUBLISHED ADDENDUM. THESE DOCUMENTS DO NOT SUPERSEDE OR ALTER THE REQUIREMENTS OF THE CONTRACT DRAWINGS. THE COMPLETENESS AND/OR ACCURACY OF THE COMPILED INFORMATION IS NOT GUARANTEED AND THE DESIGNER ACCEPTS NO ADDITIONAL LIABILITIES BASED ON THEIR USE BY THE OWNER, CONSTRUCTION MANAGER, SUBCONTRACTORS, MATERIAL SUPPLIERS, OR OTHERS.

ISSUE DATE	
DATE	DESCRIPTION
NOVEMBER 5, 2018	PHASE 2: CONFORMED

REVISIONS	
DATE	DESCRIPTION



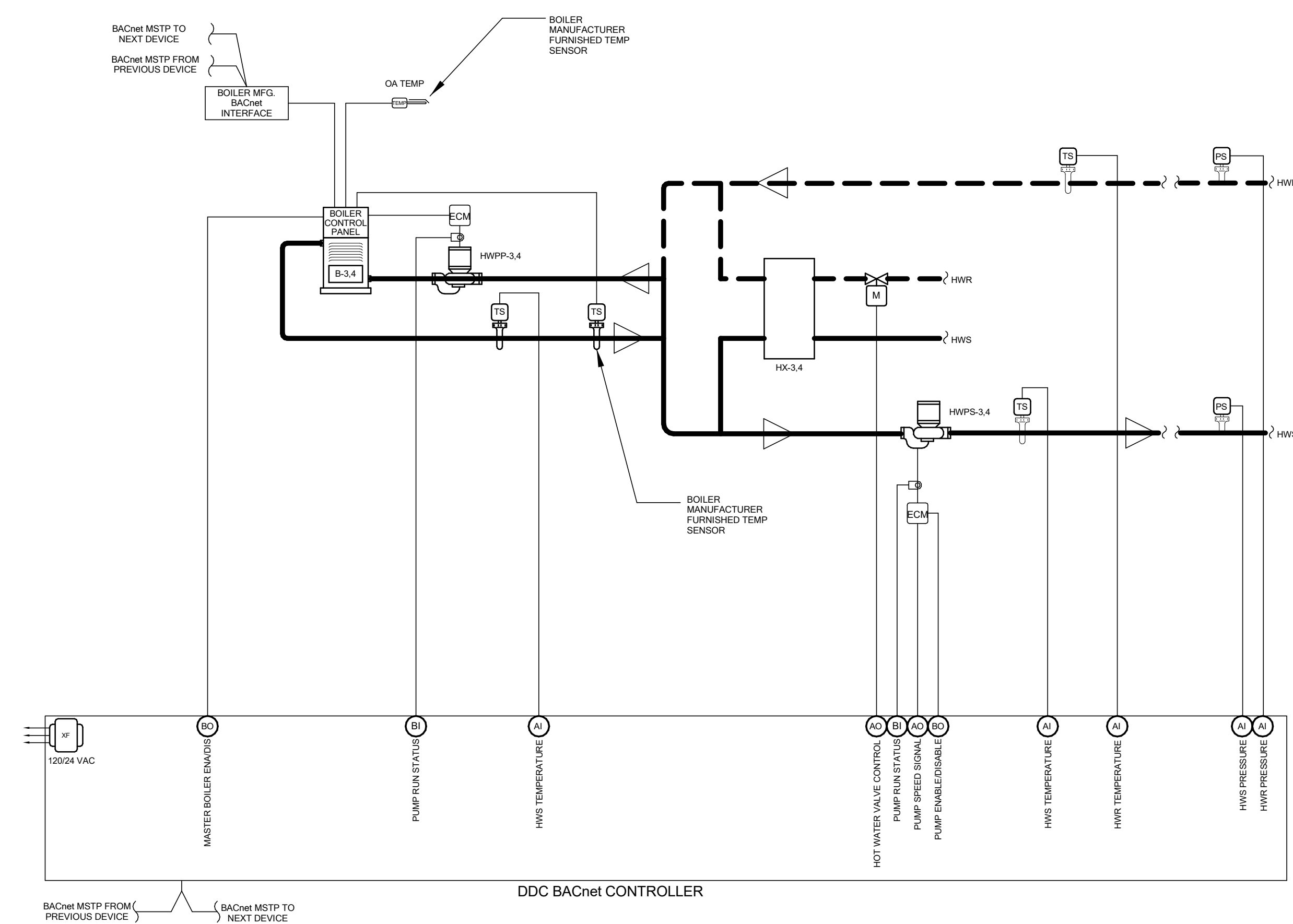
SCALE: AS NOTED PROJECT TRUE



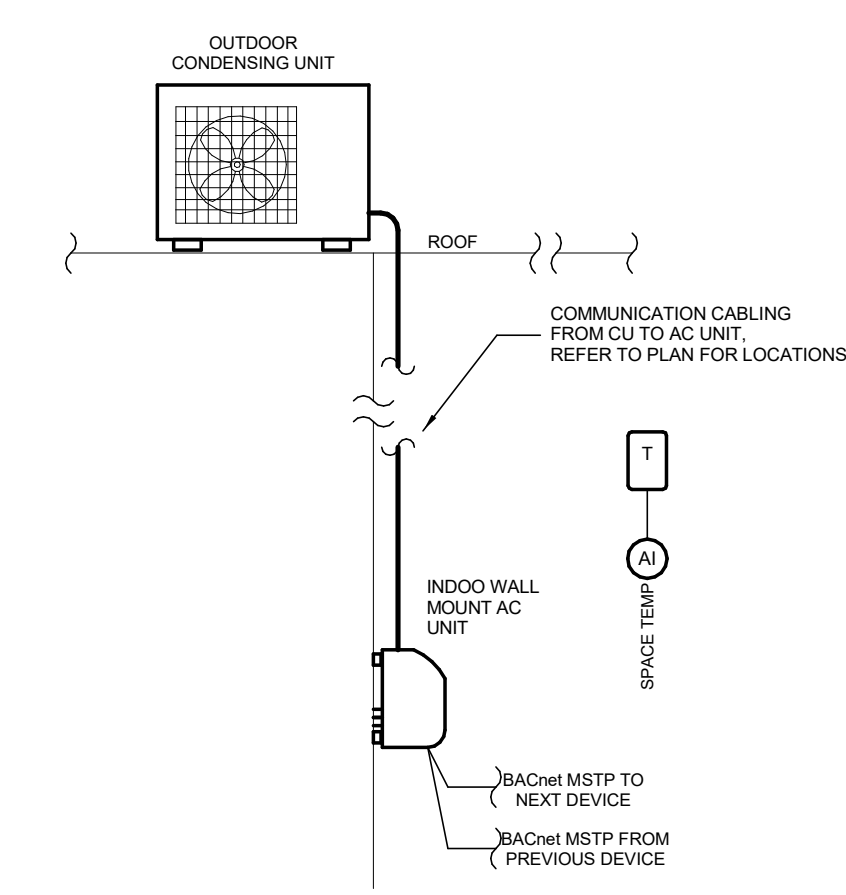
NEW
AGRISCIENCE
STEM ACADEMY
ADDITIONS & ASSOCIATED
RENOVATIONS
SHEPAUG VALLEY SCHOOL
159 SOUTH STREET
WASHINGTON, CT 06794
SCIENCE SPN: 212-0025 A/EC
VO-AG SPN: 212-0026 VA/N

PROJECT NO.: 15073.00 DRAWN BY: PA

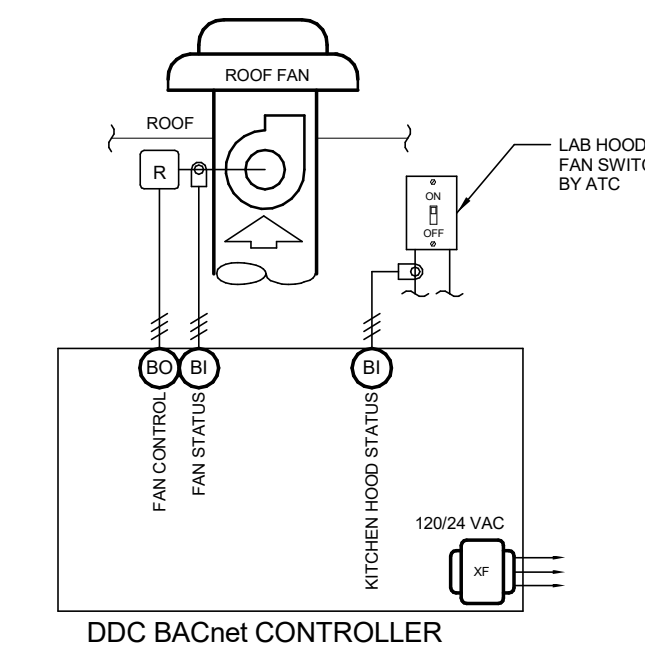
MECHANICAL
DIAGRAMS



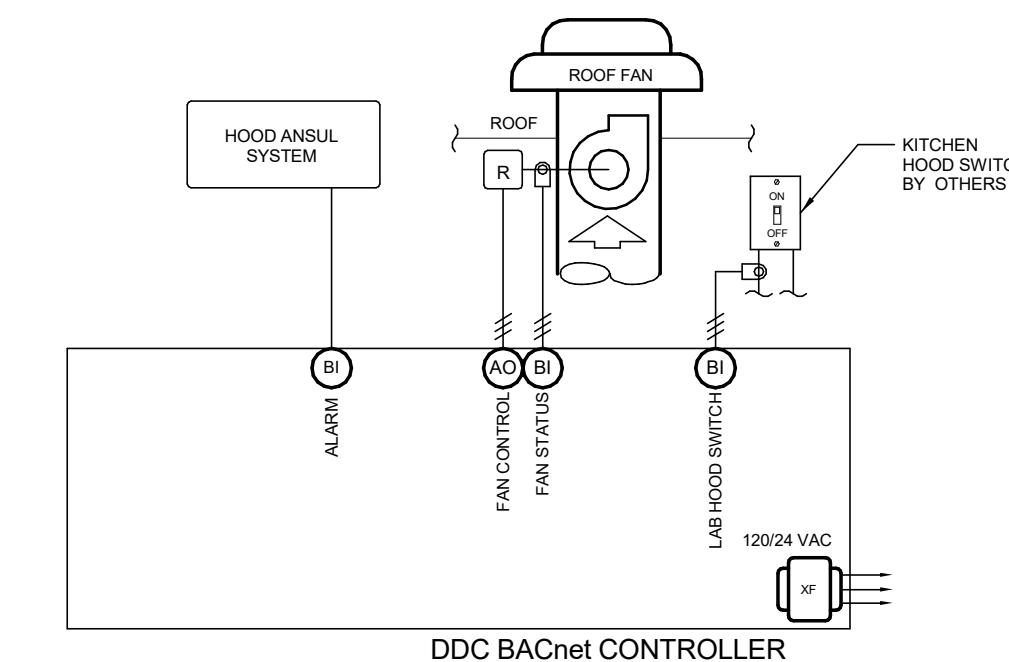
1 CONDENSING HOT WATER BOILERS & PUMPS CONTROL DIAGRAM
NOT TO SCALE



2 DUCTLESS SPLIT CONTROL DIAGRAM
NOT TO SCALE



3 LAB EXHAUST FAN CONTROL DIAGRAM
NOT TO SCALE



4 KITCHEN EXHAUST FAN CONTROL DIAGRAM
NOT TO SCALE