



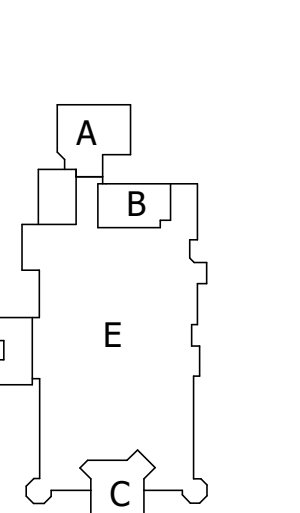
MECHANICAL AND ELECTRICAL ENGINEERING
750 OLD MAIN STREET
SUITE 202
ROCKY HILL, CT 06067
P: (860) 436-4336
F: (860) 436-4400
www.rzdesignassociates.com

NOTE: THESE DOCUMENTS ARE NOT THE CONTRACT DOCUMENTS. THIS SET IS ISSUED SOLELY FOR THE CONVENIENCE OF THE CONSTRUCTION MANAGER. IT IS A COMPILATION OF THE BID DOCUMENTS AND PUBLISHED ADDENDUM. THESE DOCUMENTS DO NOT SUPERSEDE OR ALTER THE REQUIREMENTS OF THE CONTRACT DRAWINGS. THE COMPLETENESS AND/OR ACCURACY OF THE COMPILED INFORMATION IS NOT GUARANTEED AND THE DESIGNER ACCEPTS NO ADDITIONAL LIABILITIES BASED ON THEIR USE BY THE OWNER, CONSTRUCTION MANAGER, SUBCONTRACTORS, MATERIAL SUPPLIERS, OR OTHERS.

ISSUE DATE	
DATE	DESCRIPTION
NOVEMBER 5, 2018	PHASE 2: CONFORMED

REVISIONS	
DATE	DESCRIPTION
September 20, 2018	PHASE 2: DRAWING REVISED FOR ADDENDUM NO. 1

KEY PLAN



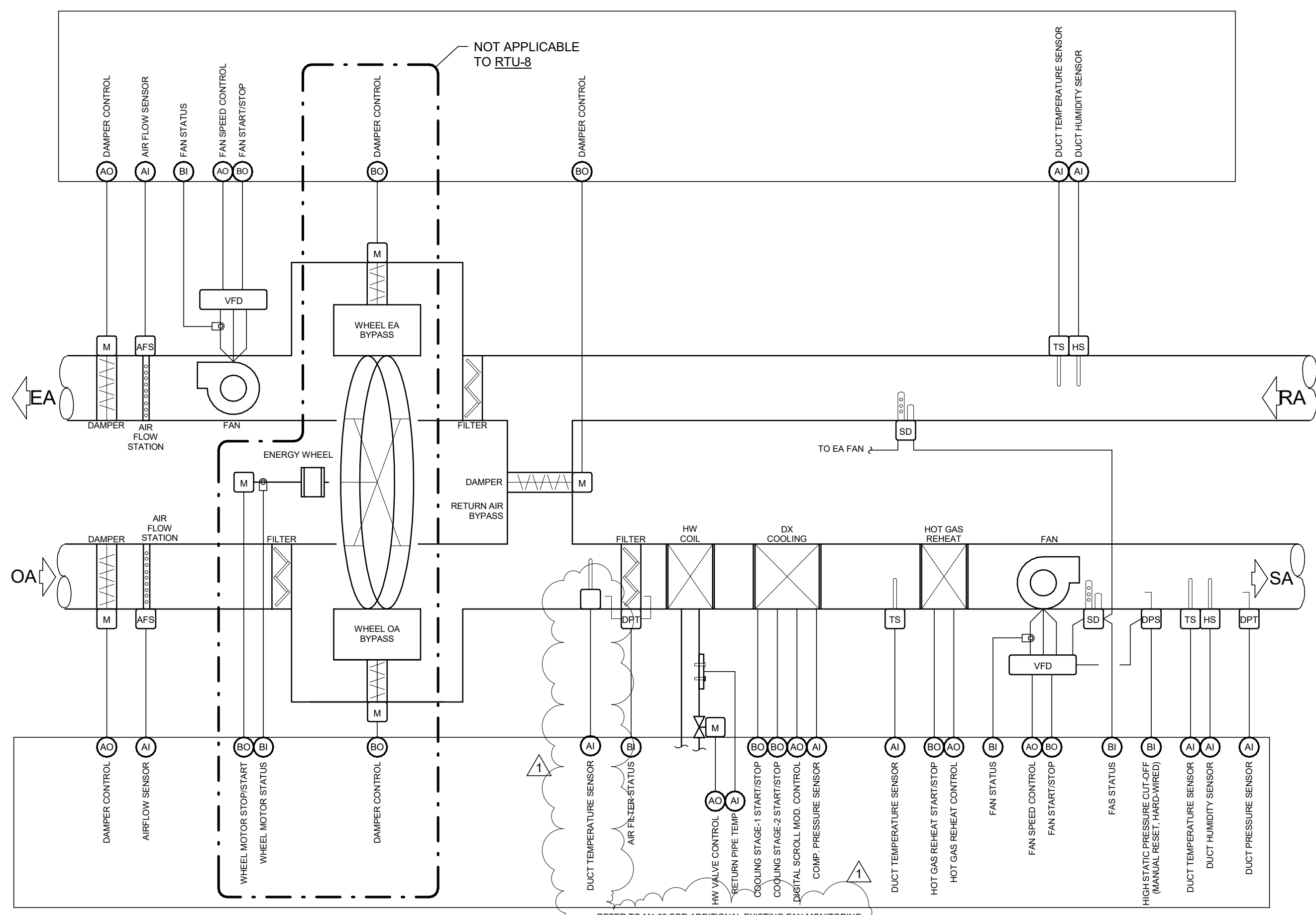
SCALE: AS NOTED PROJECT TRUE



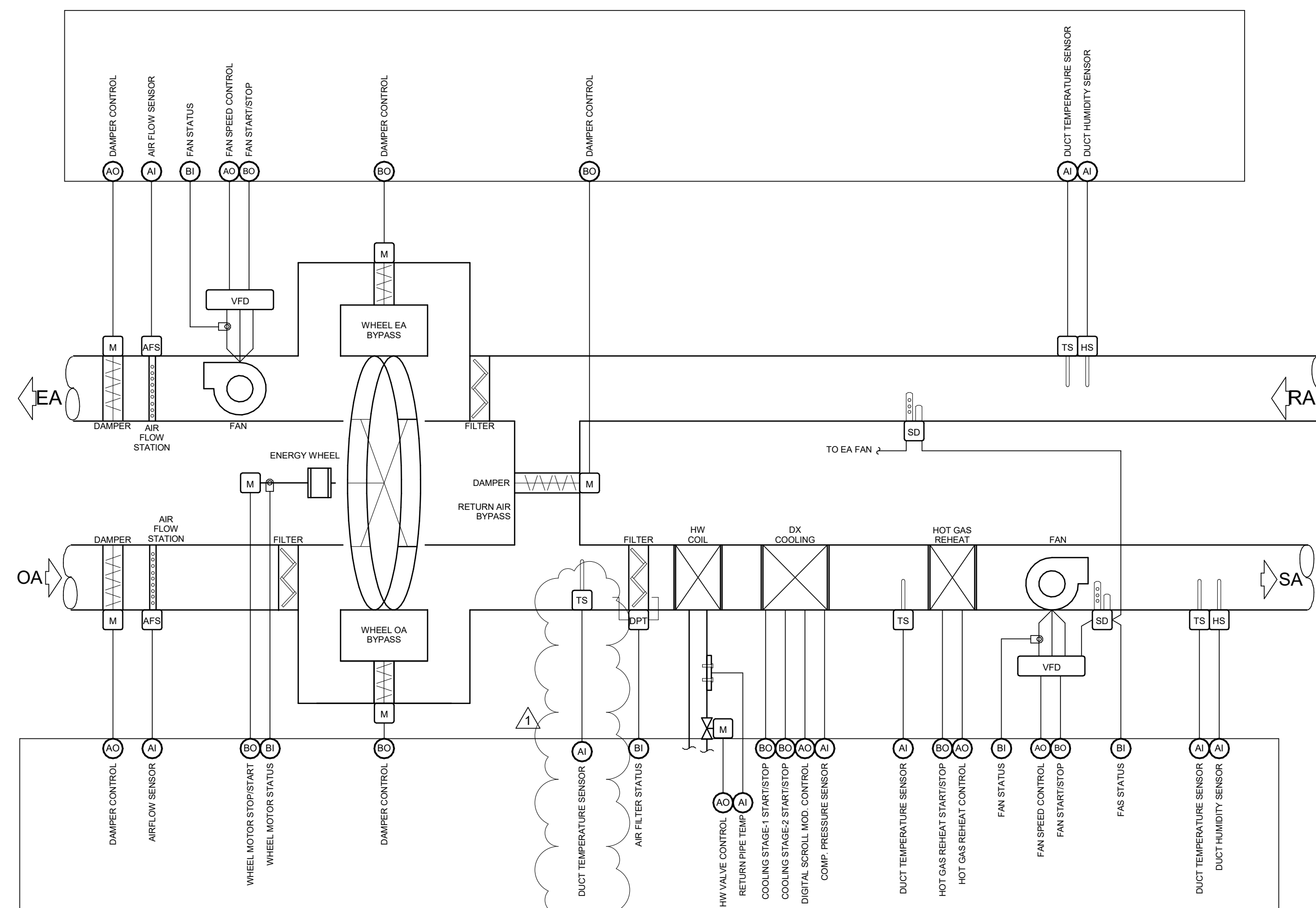
NEW AGRISCIENCE STEM ACADEMY ADDITIONS & ASSOCIATED RENOVATIONS
SHEPAUG VALLEY SCHOOL
159 SOUTH STREET
WASHINGTON, CT 06794
SCIENCE SPN: 212-0025 A/EC
VO-AG SPN: 212-0026 VA/N

PROJECT NO.: 15073.00 DRAWN BY: PA

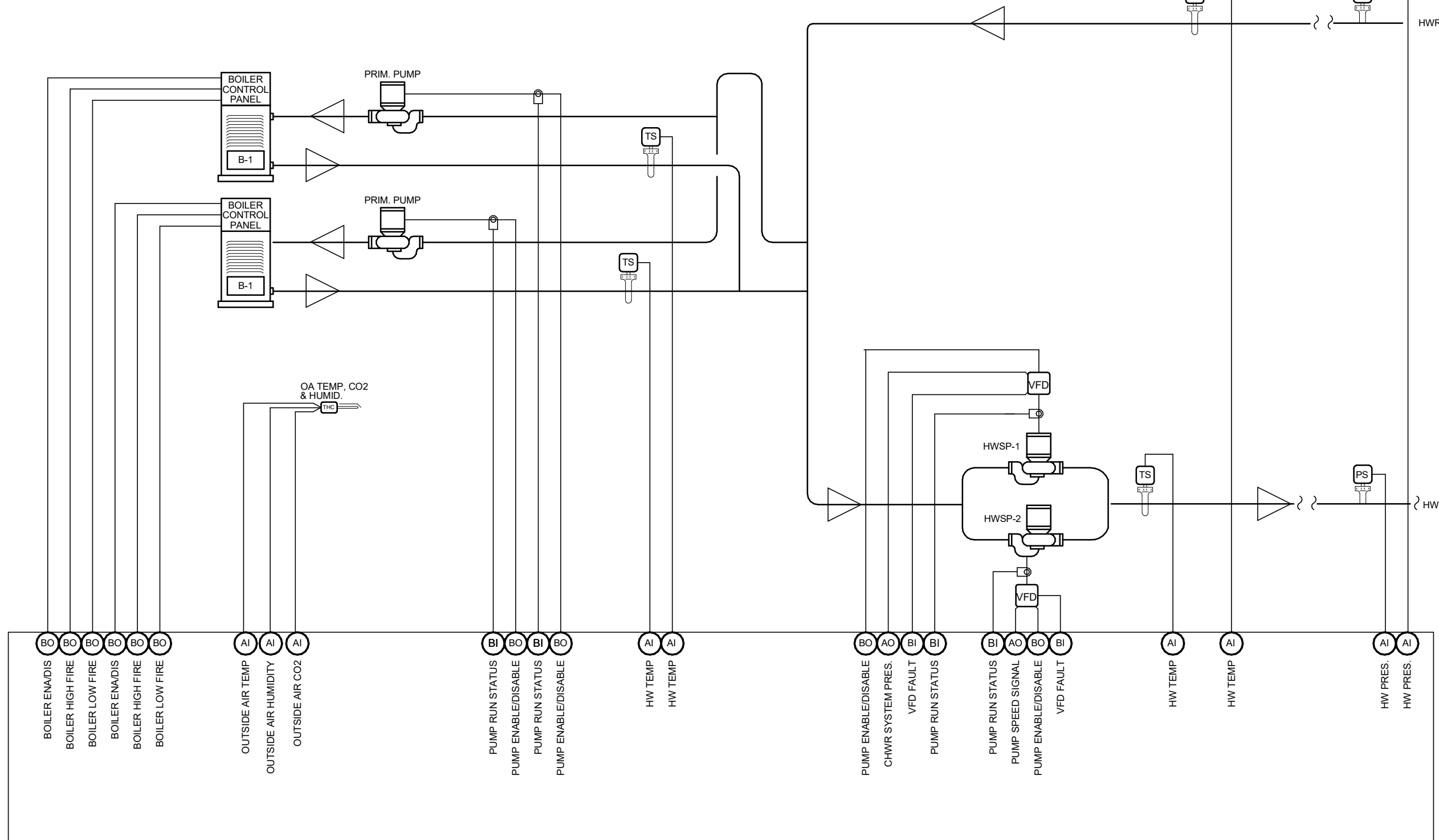
MECHANICAL DIAGRAMS



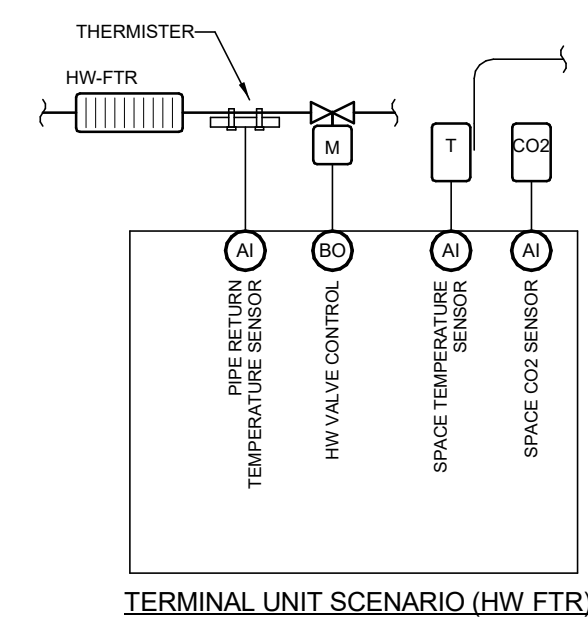
1 VARIABLE VOLUME RTU CONTROL DIAGRAM
NOT TO SCALE



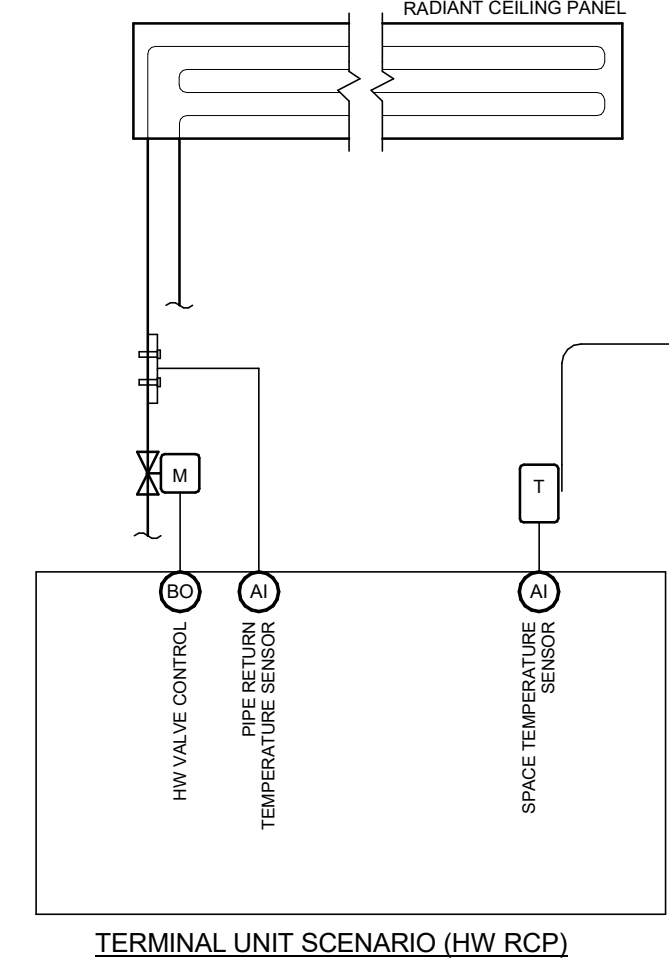
2 CONSTANT VOLUME RTU CONTROL DIAGRAM
NOT TO SCALE



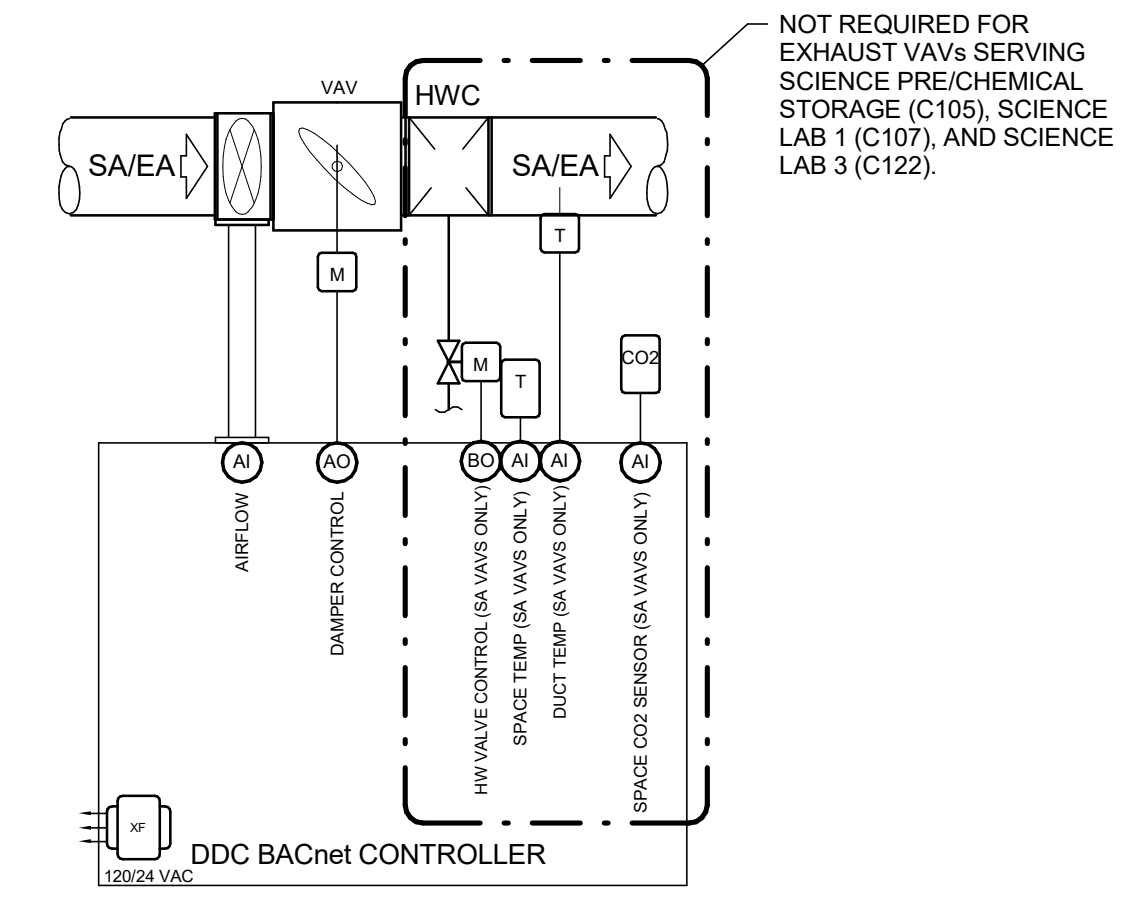
3 BOILER PLANT CONTROL DIAGRAM
NOT TO SCALE



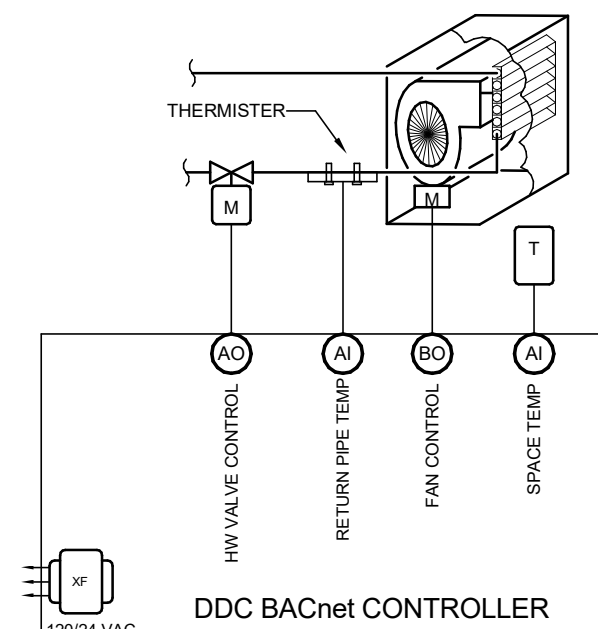
4 PERIMETER RADIATION CONTROL DIAGRAM
NOT TO SCALE



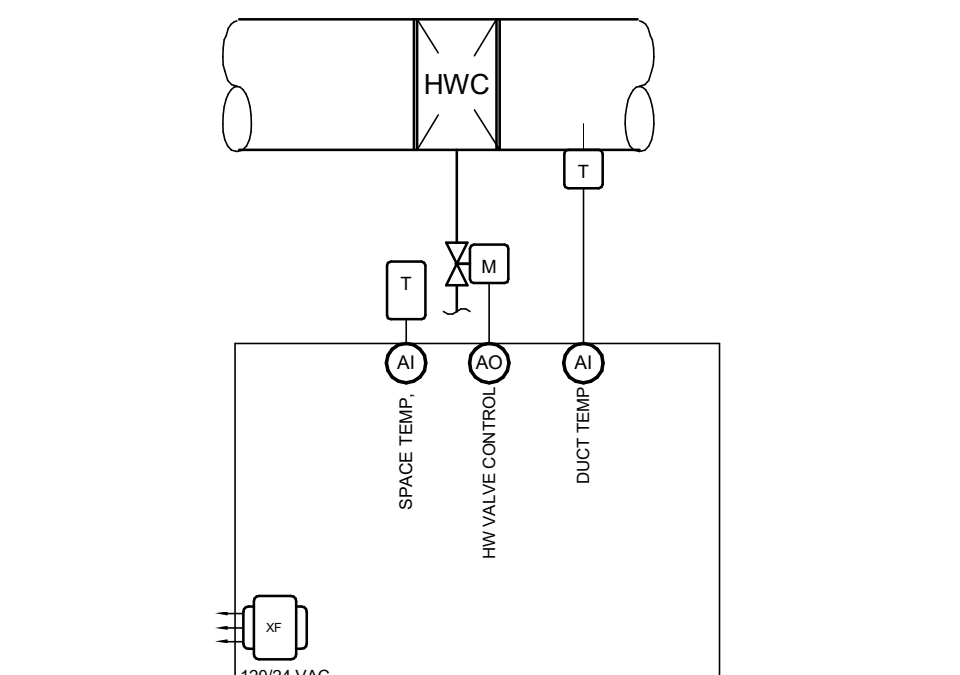
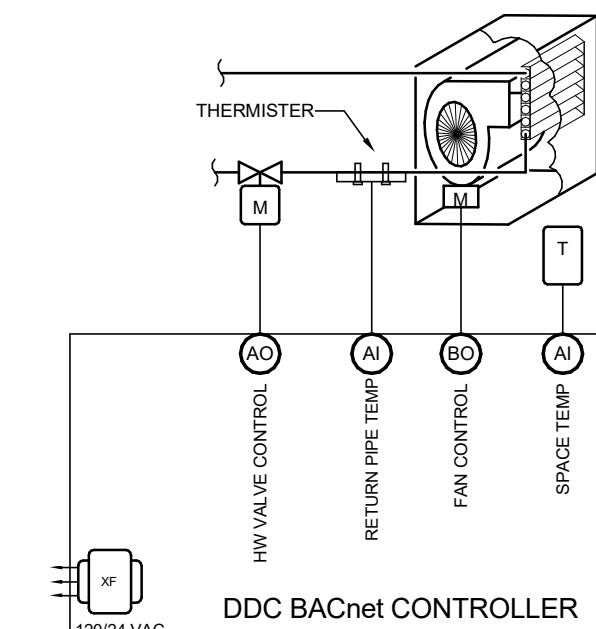
5 VAV CONTROL DIAGRAM
NOT TO SCALE



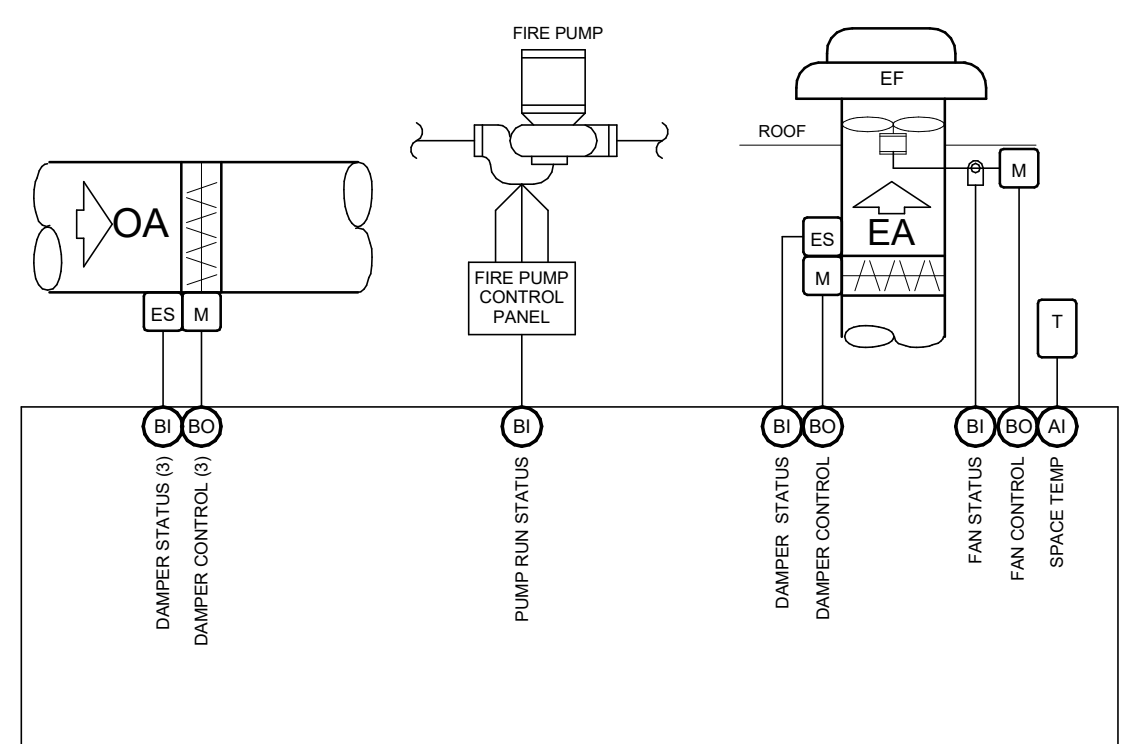
6 CUH CONTROL DIAGRAM
NOT TO SCALE



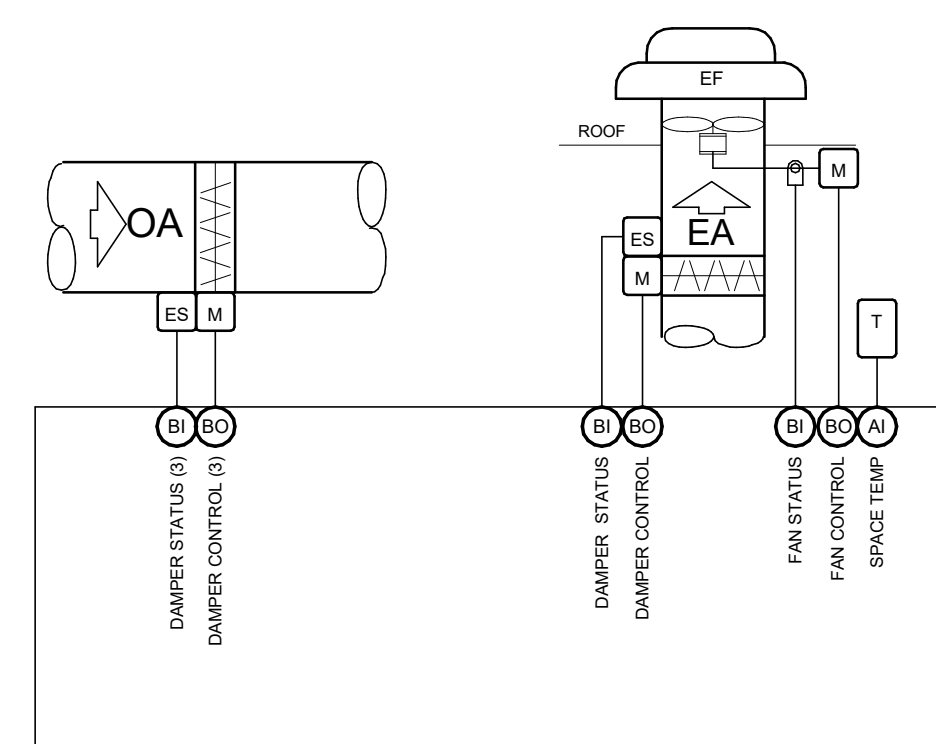
7 UH CONTROL DIAGRAM
NOT TO SCALE



8 DUCTWORK-HW COIL HW COIL CONTROL DIAGRAM
NOT TO SCALE



9 FIRE PUMP ROOM CONTROL DIAGRAM
NOT TO SCALE



10 EQUIPMENT GARAGE CONTROL DIAGRAM
NOT TO SCALE