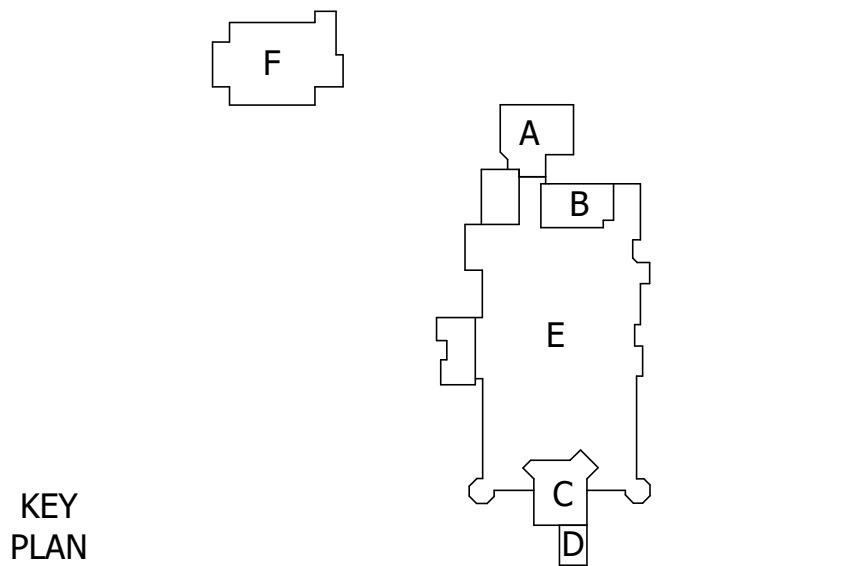


NOTE: THESE DOCUMENTS ARE NOT THE CONTRACT DOCUMENTS. THIS SET IS ISSUED SOLELY FOR THE CONVENIENCE OF THE CONSTRUCTION MANAGER. IT IS A COMPILATION OF THE BID DOCUMENTS AND PUBLISHED ADDENDUM. THESE DOCUMENTS DO NOT SUPERSEDE OR ALTER THE REQUIREMENTS OF THE CONTRACT DRAWINGS. THE COMPLETENESS AND/OR ACCURACY OF THE COMPILED INFORMATION IS NOT GUARANTEED AND THE DESIGNER ACCEPTS NO ADDITIONAL LIABILITIES BASED ON THEIR USE BY THE OWNER, CONSTRUCTION MANAGER, SUBCONTRACTORS, MATERIAL SUPPLIERS, OR OTHERS.

ISSUE DATE	
DATE	DESCRIPTION
NOVEMBER 5, 2018	PHASE 2: CONFORMED

REVISIONS	
DATE	DESCRIPTION



SCALE: AS NOTED PROJECT TRUE

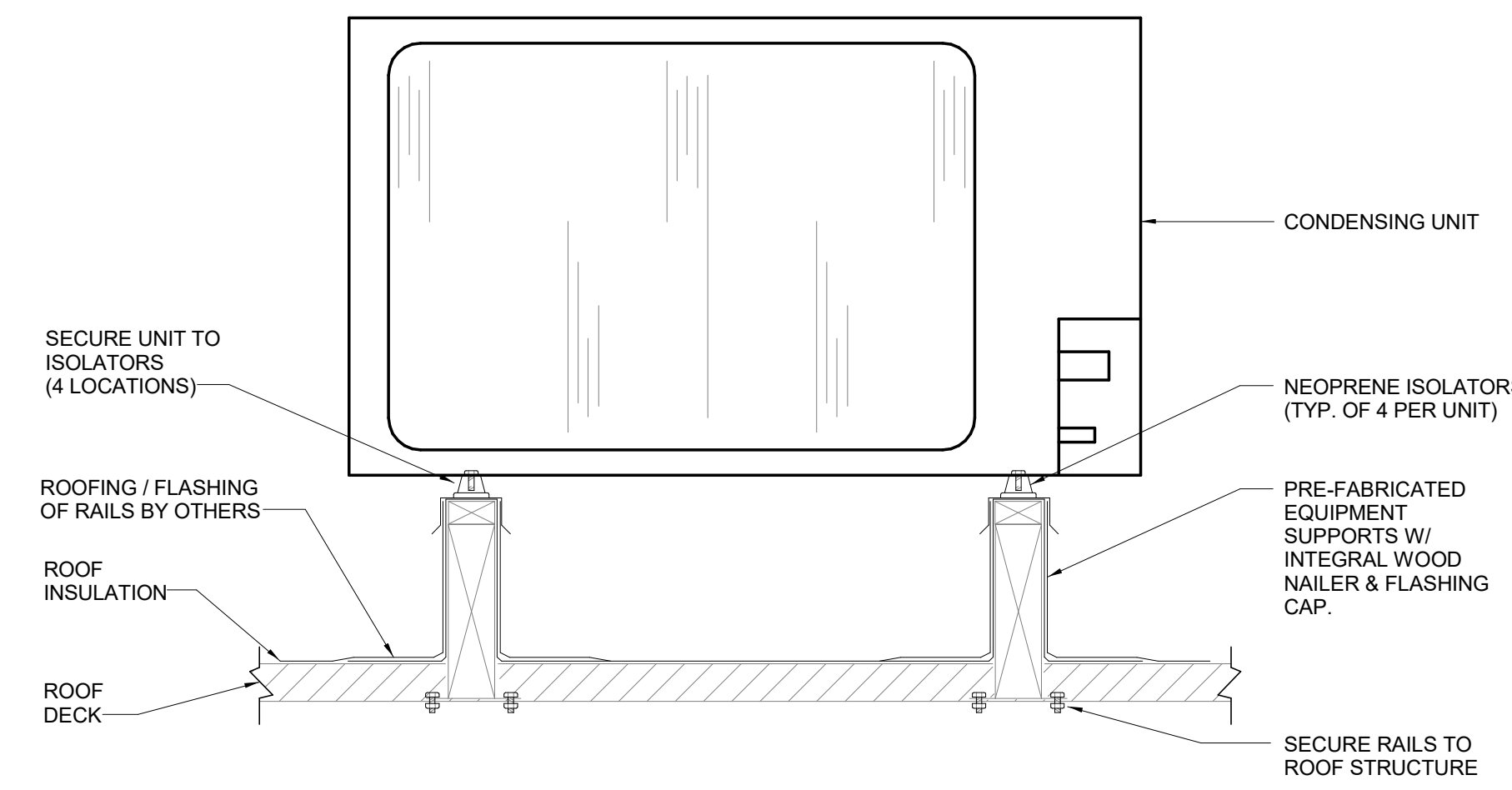


NEW
AGRISCIENCE
STEM ACADEMY
ADDITIONS & ASSOCIATED
RENOVATIONS
SHEPAUG VALLEY SCHOOL
159 SOUTH STREET
WASHINGTON, CT 06794
SCIENCE SPN: 212-0025 A/EC
VO-AG SPN: 212-0026 VA/N

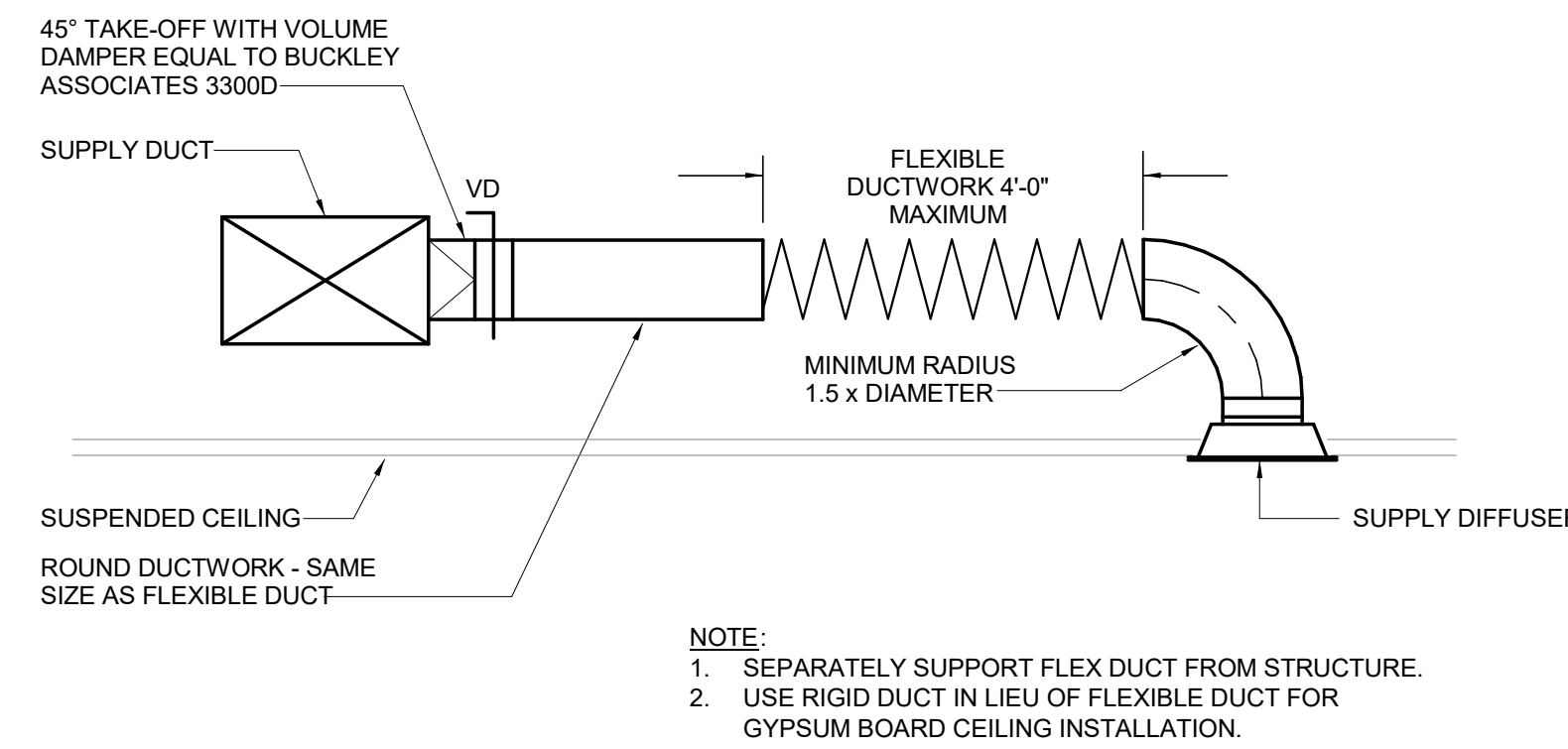
PROJECT NO.: 15073.00 DRAWN BY: PA

MECHANICAL
DETAILS

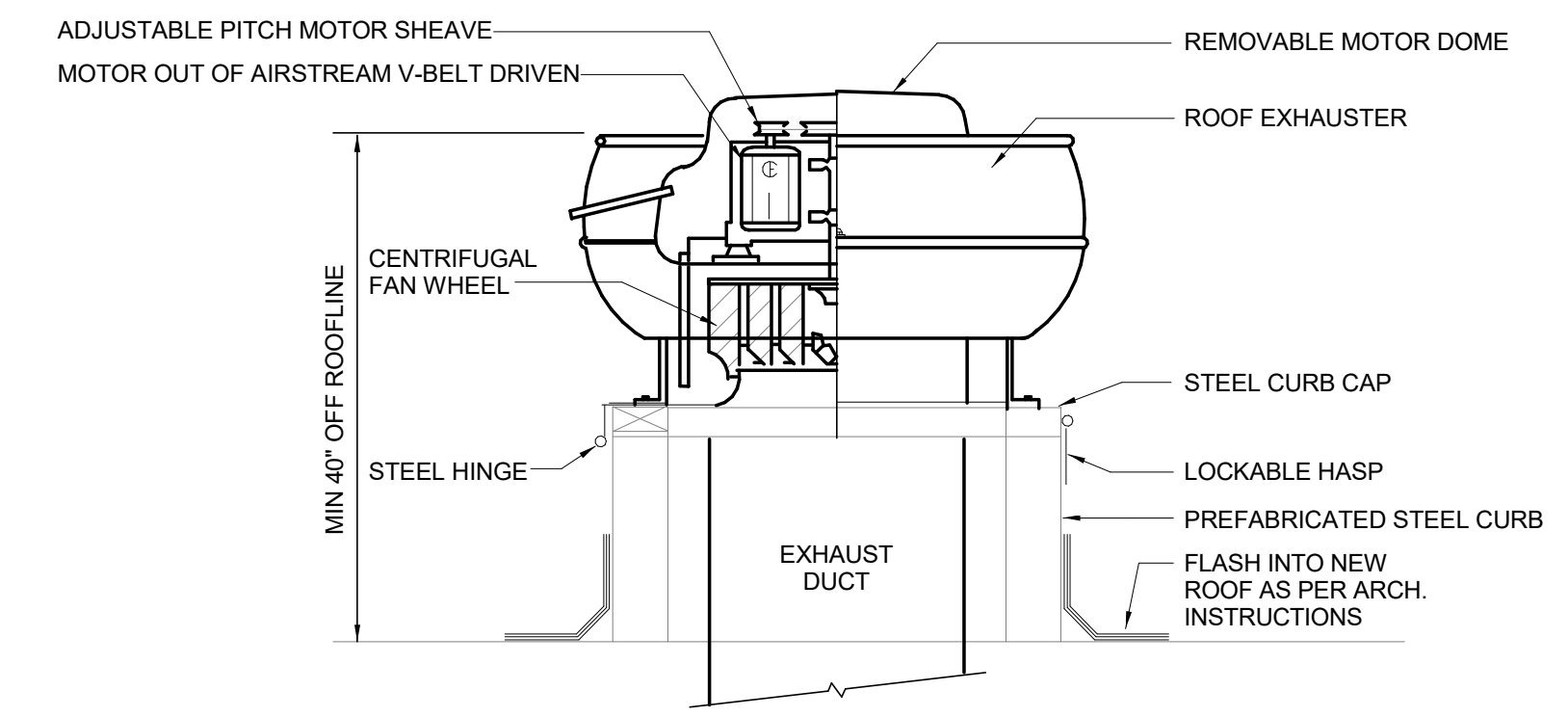
DRAWING NO.:
M5.02



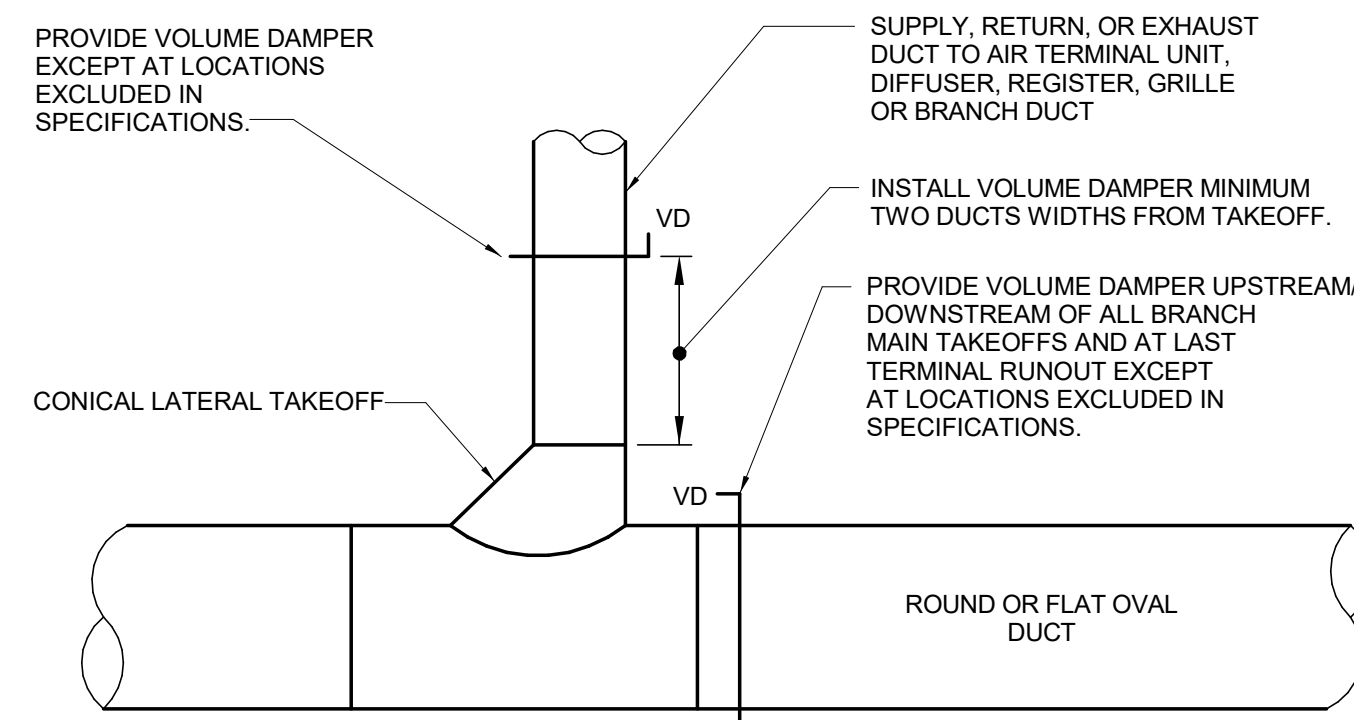
1 TYPICAL ROOF MOUNTED CONDENSING UNIT DETAIL
NOT TO SCALE



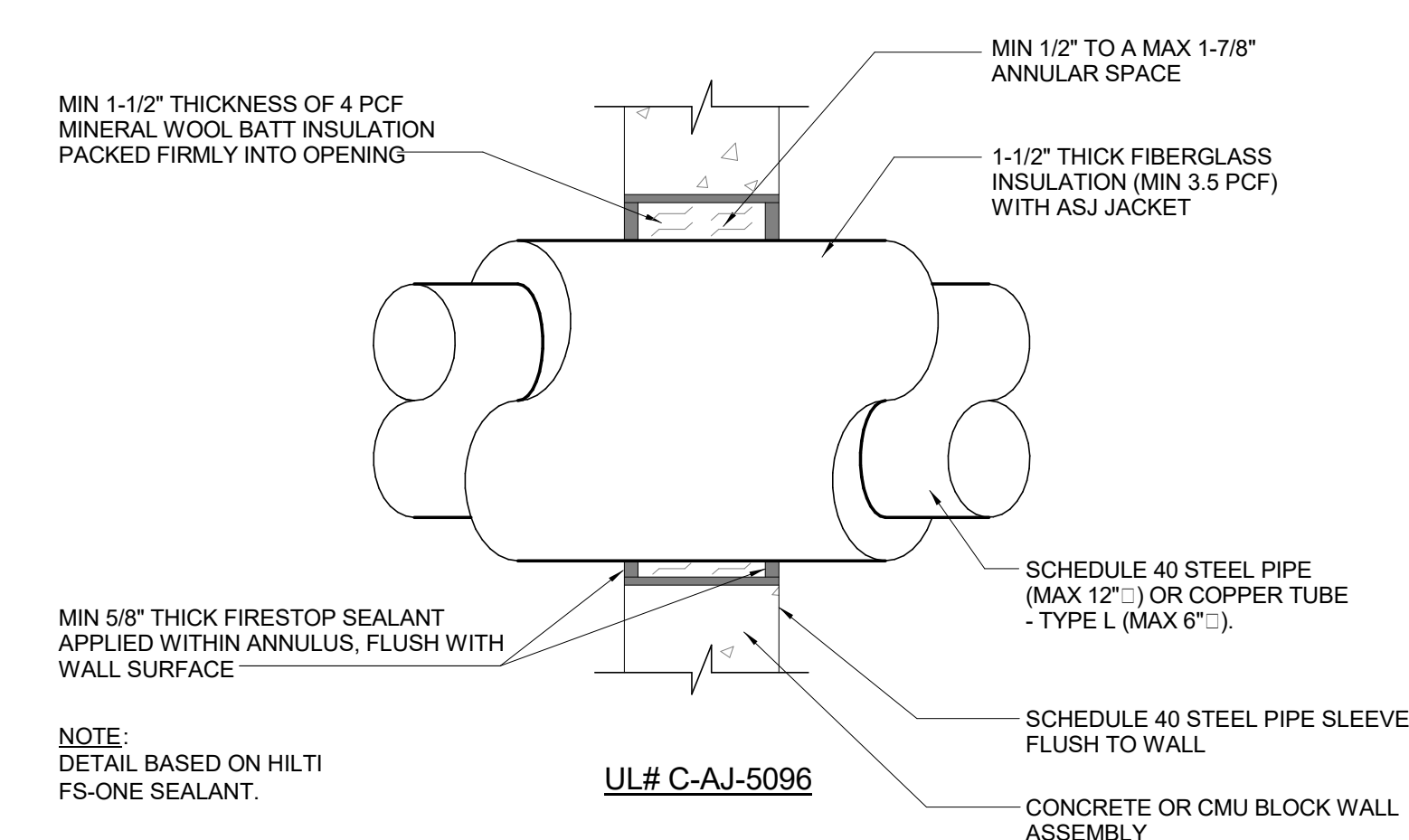
2 TYPICAL CEILING MOUNTED SUPPLY DIFFUSER DETAIL
NOT TO SCALE



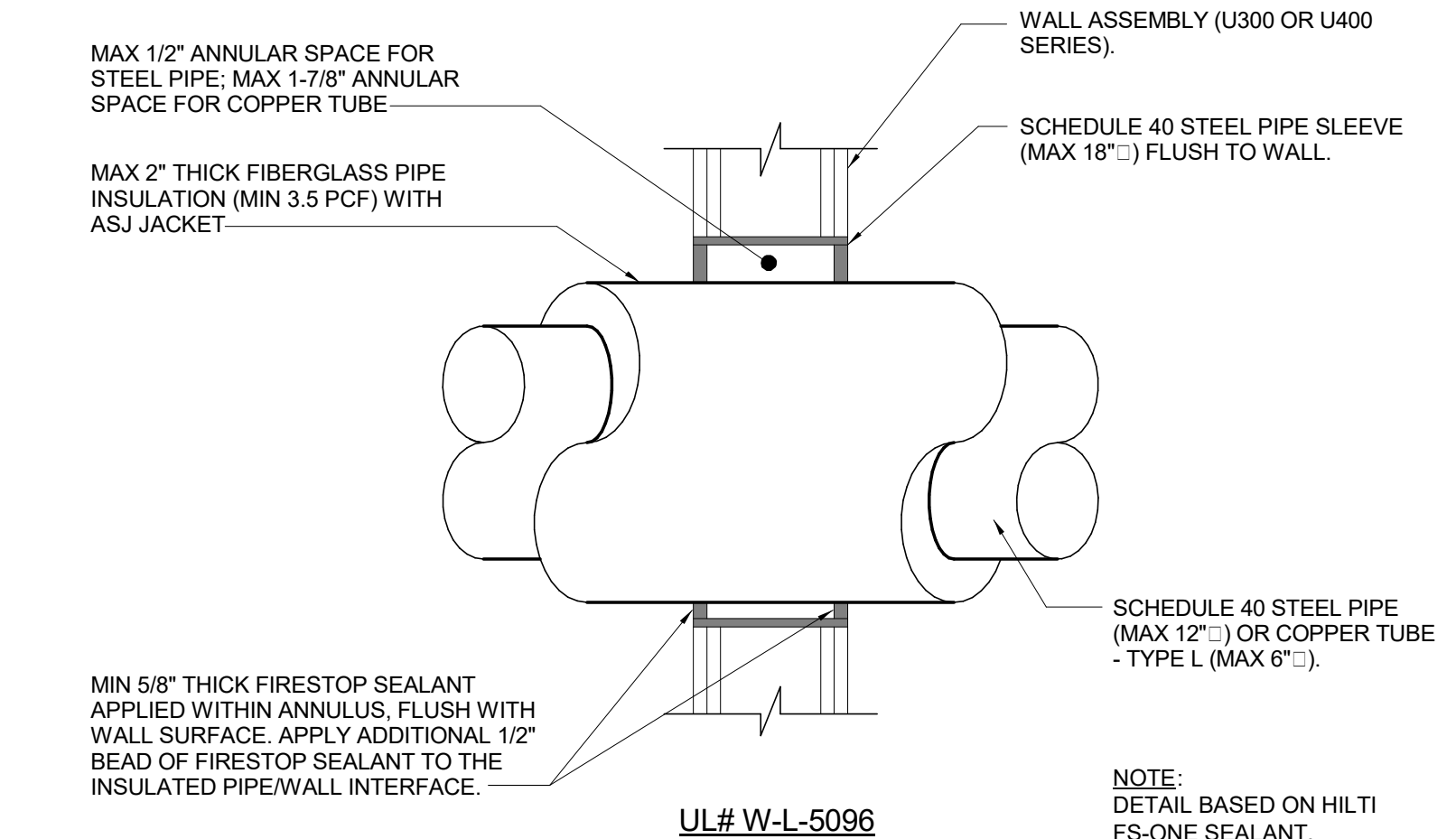
3 KITCHEN HOOD EXHAUST FAN DETAIL
NOT TO SCALE



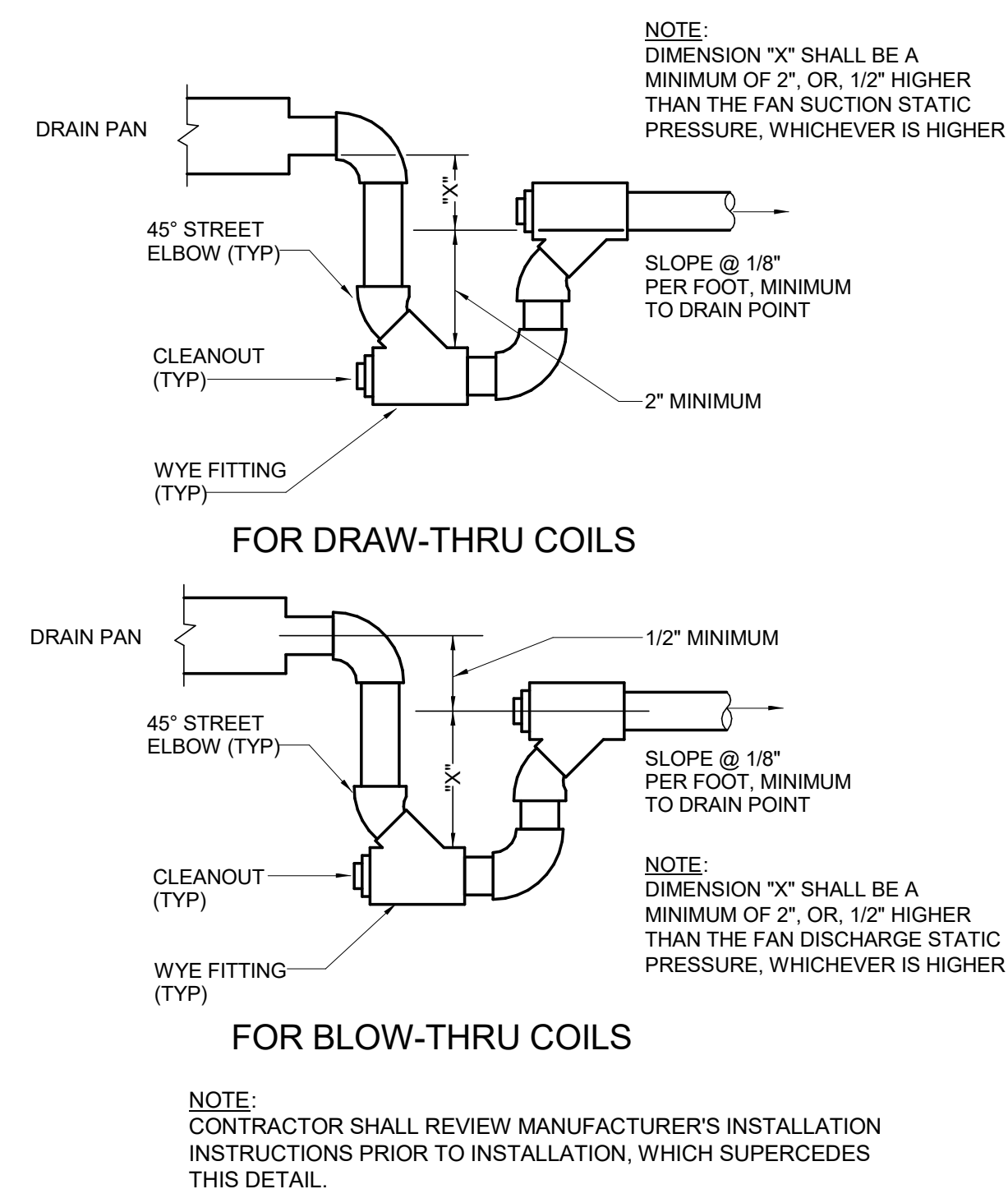
4 ROUND / FLAT OVAL DUCT TAKEOFF DETAIL
NOT TO SCALE



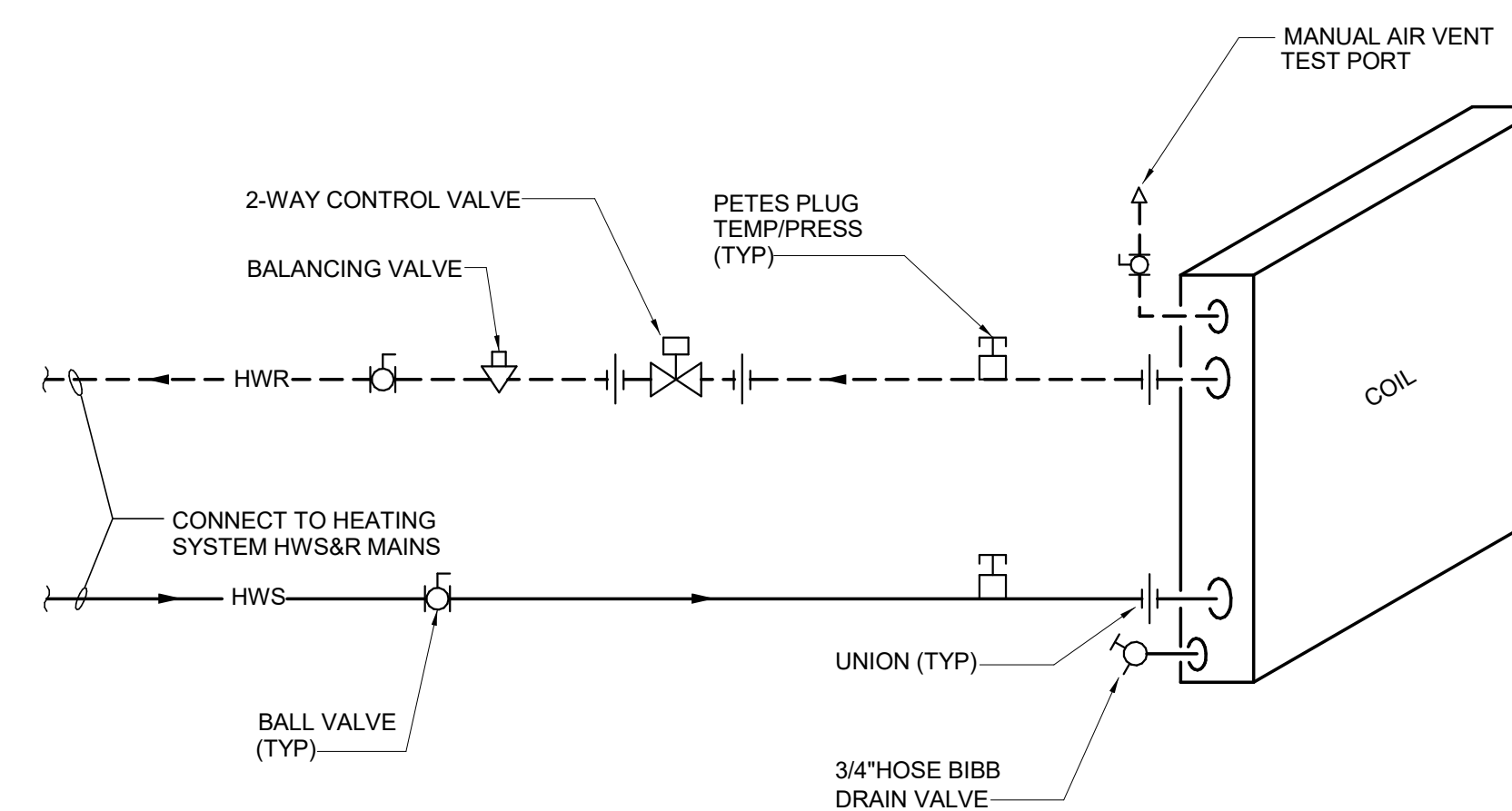
5 PIPE PENETRATION DETAIL - FIRE RATED CMU WALL
NOT TO SCALE



6 PIPE PENETRATION DETAIL - FIRE RATED FRAMED WALL
NOT TO SCALE



7 COOLING COIL CONDENSATE TRAP DETAIL
NOT TO SCALE



8 TYPICAL HOT WATER COIL PIPING DIAGRAM
NOT TO SCALE