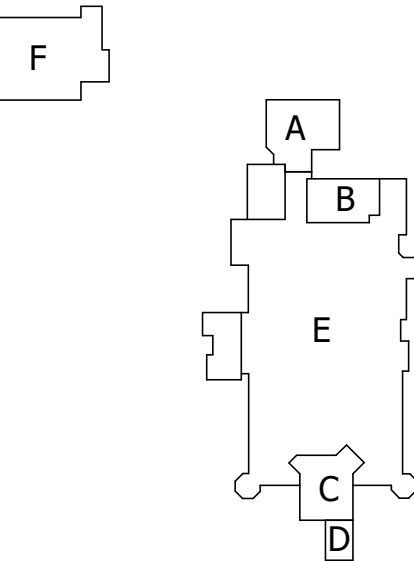


NOTE: THESE DOCUMENTS ARE NOT THE CONTRACT DOCUMENTS. THIS SET IS ISSUED SOLELY FOR THE CONVENIENCE OF THE CONSTRUCTION MANAGER. IT IS A COMPILATION OF THE BID DOCUMENTS AND PUBLISHED ADDENDUM. THESE DOCUMENTS DO NOT SUPERSEDE OR ALTER THE REQUIREMENTS OF THE CONTRACT DRAWINGS. THE COMPLETENESS AND/OR ACCURACY OF THE COMPILED INFORMATION IS NOT GUARANTEED AND THE DESIGNER ACCEPTS NO ADDITIONAL LIABILITIES BASED ON THEIR USE BY THE OWNER, CONSTRUCTION MANAGER, SUBCONTRACTORS, MATERIAL SUPPLIERS, OR OTHERS.

ISSUE DATE	
DATE	DESCRIPTION
NOVEMBER 5, 2018	PHASE 2: CONFORMED

REVISIONS	
DATE	DESCRIPTION



KEY PLAN

SCALE: AS NOTED PROJECT TRUE

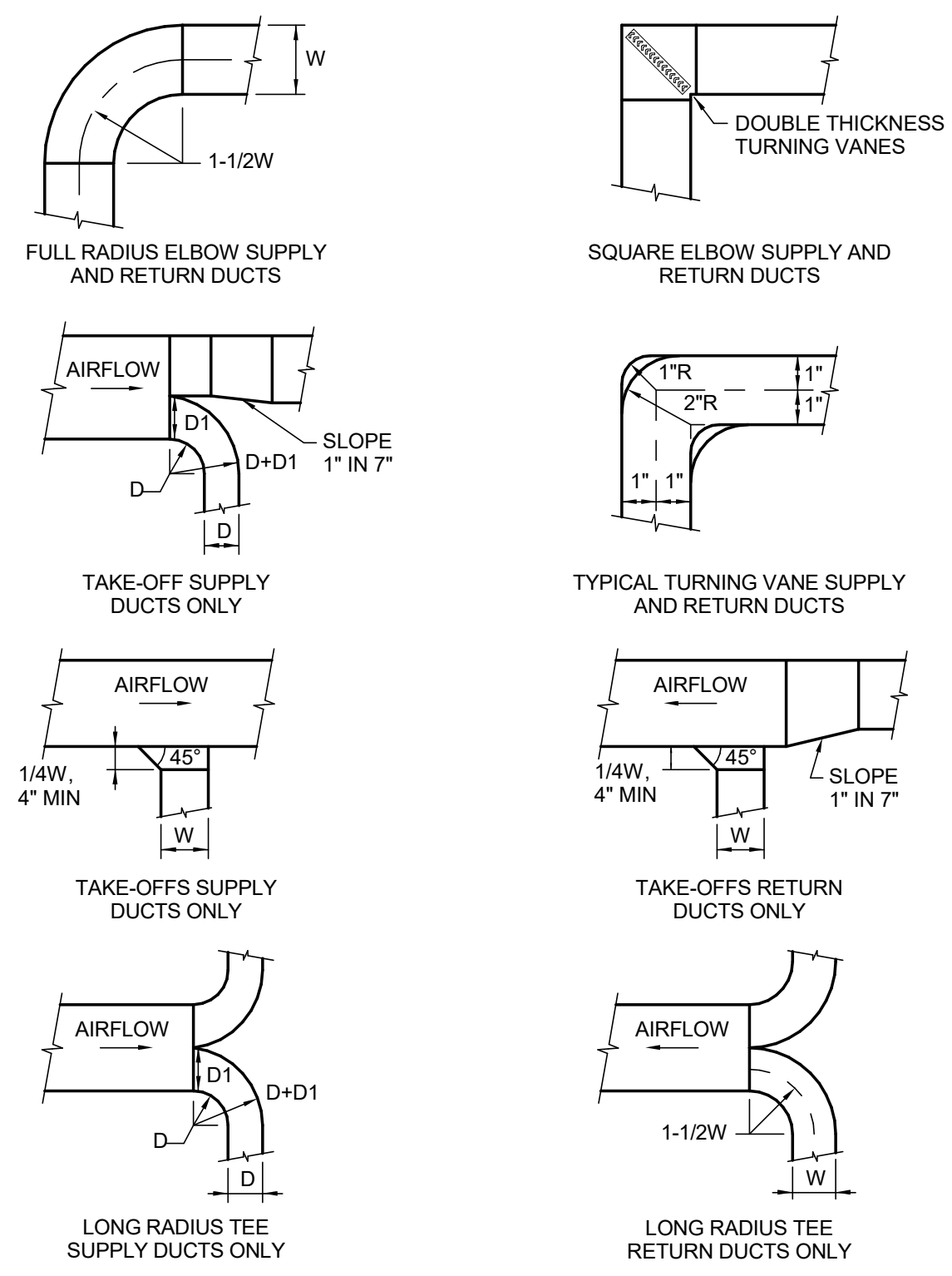


NEW
AGRISCIENCE
STEM ACADEMY
ADDITIONS & ASSOCIATED
RENOVATIONS
SHEPAUG VALLEY SCHOOL
159 SOUTH STREET
WASHINGTON, CT 06794
SCIENCE SPN: 212-0025 A/EC
VO-AG SPN: 212-0026 VA/N

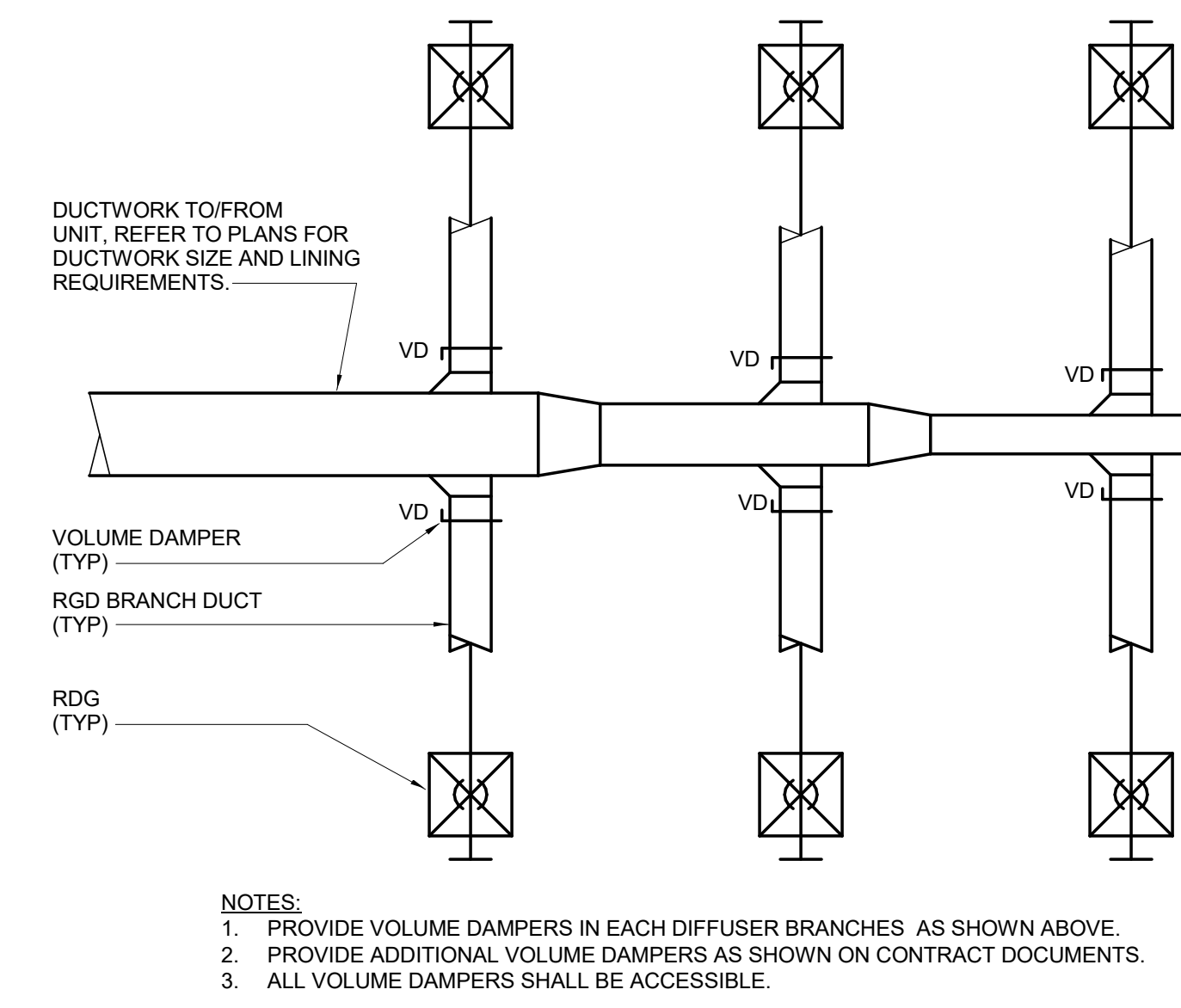
PROJECT NO.: 15073.00 DRAWN BY: PA

MECHANICAL
DETAILS

DRAWING NO.:
M5.01

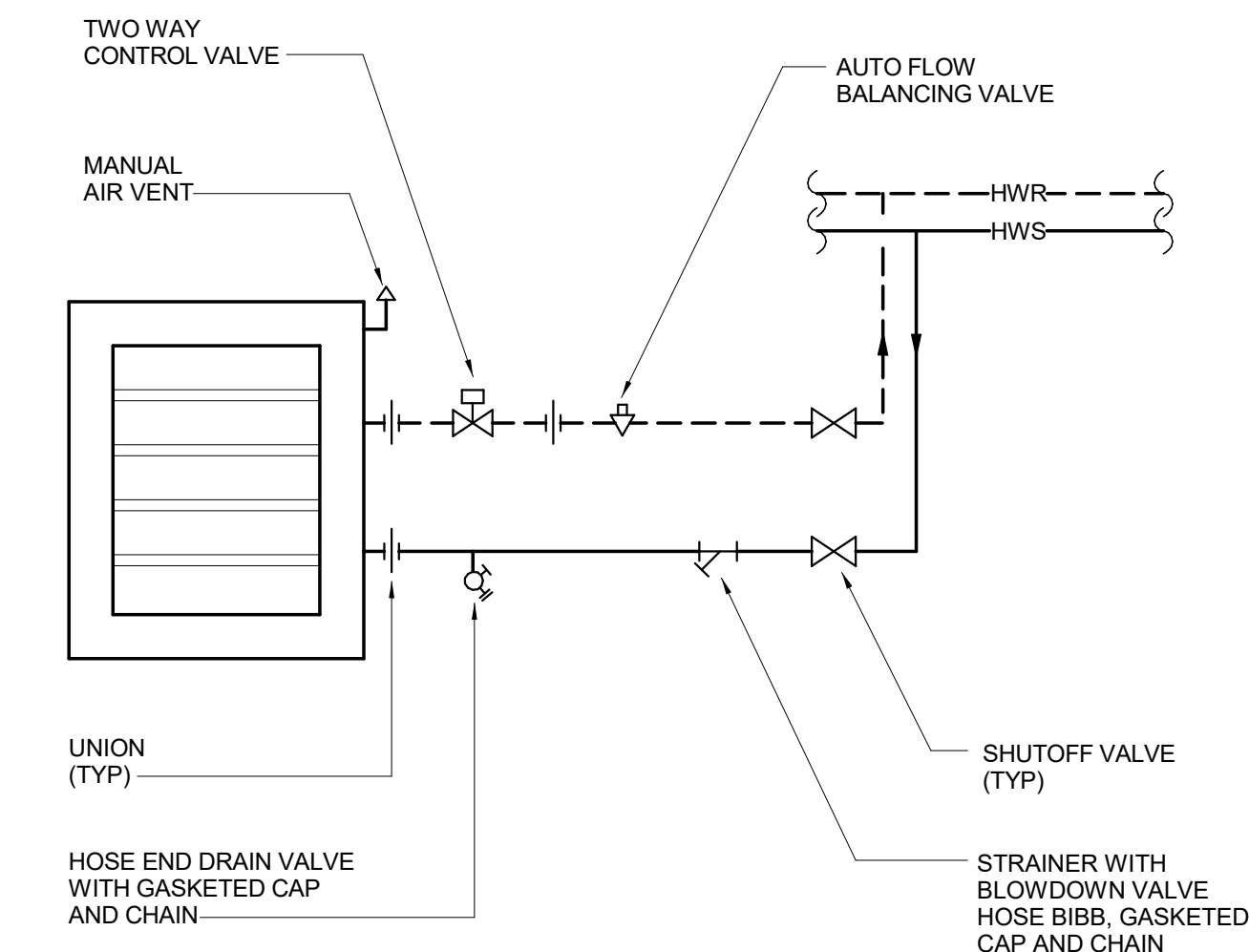


1 DUCT DETAILS
NOT TO SCALE

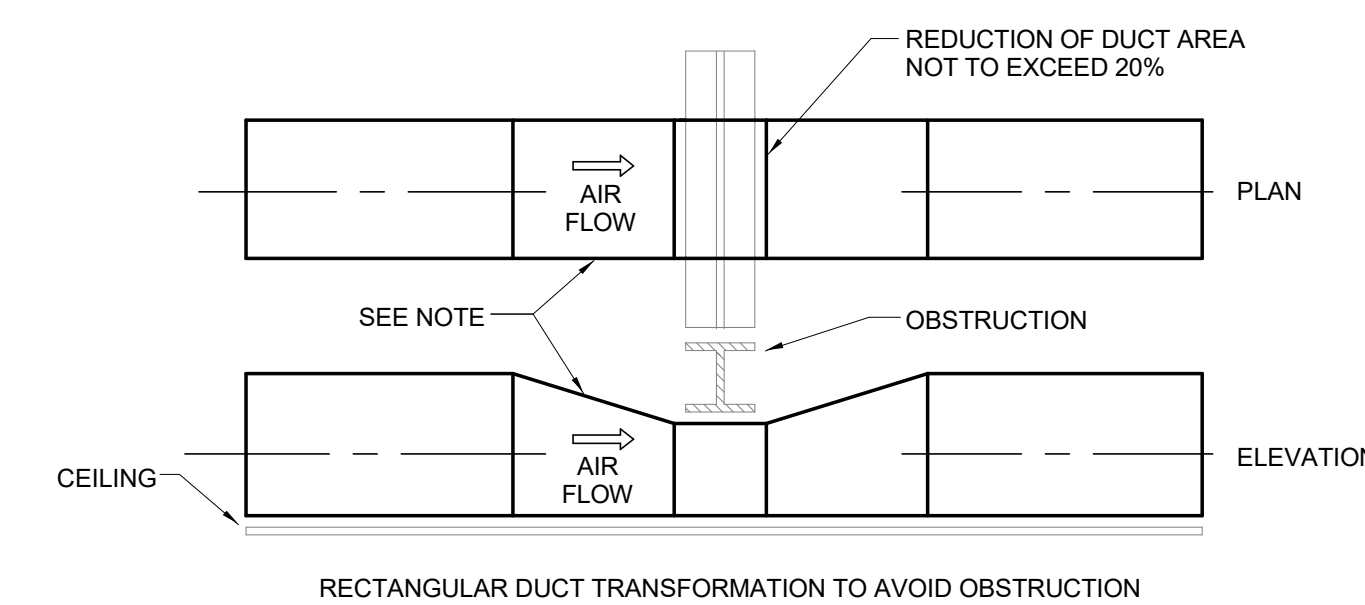
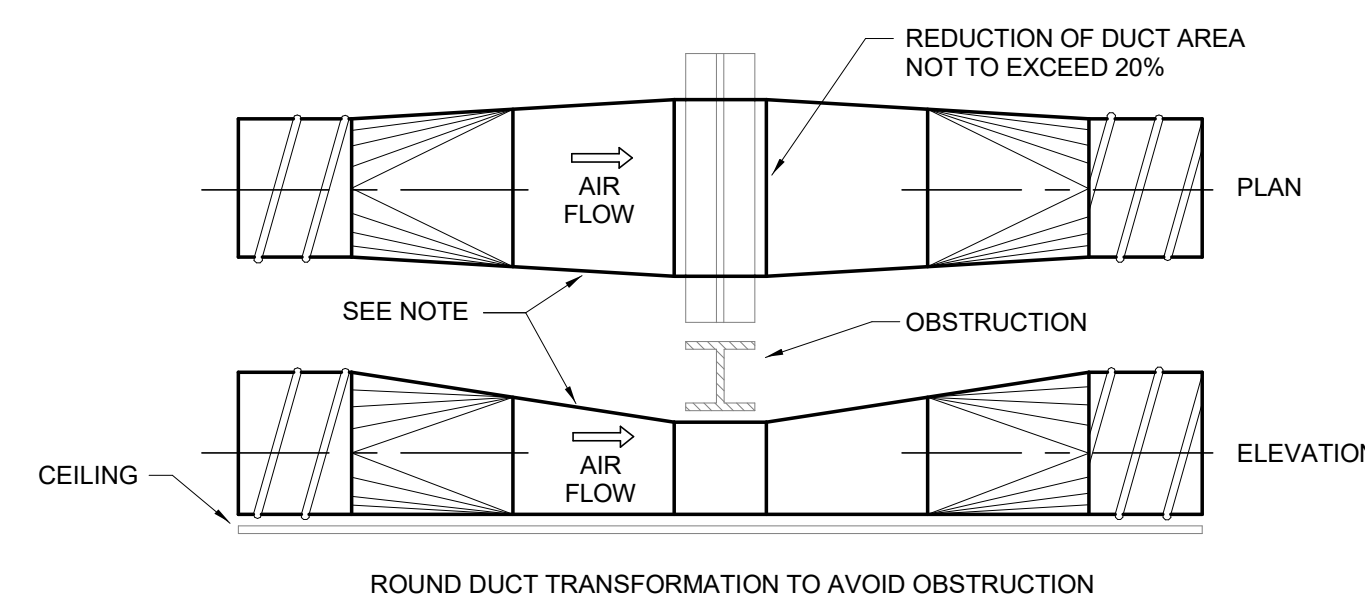


2 TYPICAL VOLUME DAMPER LOCATION
NOT TO SCALE

- NOTES:
1. PROVIDE VOLUME DAMPERS IN EACH DIFFUSER BRANCHES AS SHOWN ABOVE.
 2. PROVIDE ADDITIONAL VOLUME DAMPERS AS SHOWN ON CONTRACT DOCUMENTS.
 3. ALL VOLUME DAMPERS SHALL BE ACCESSIBLE.

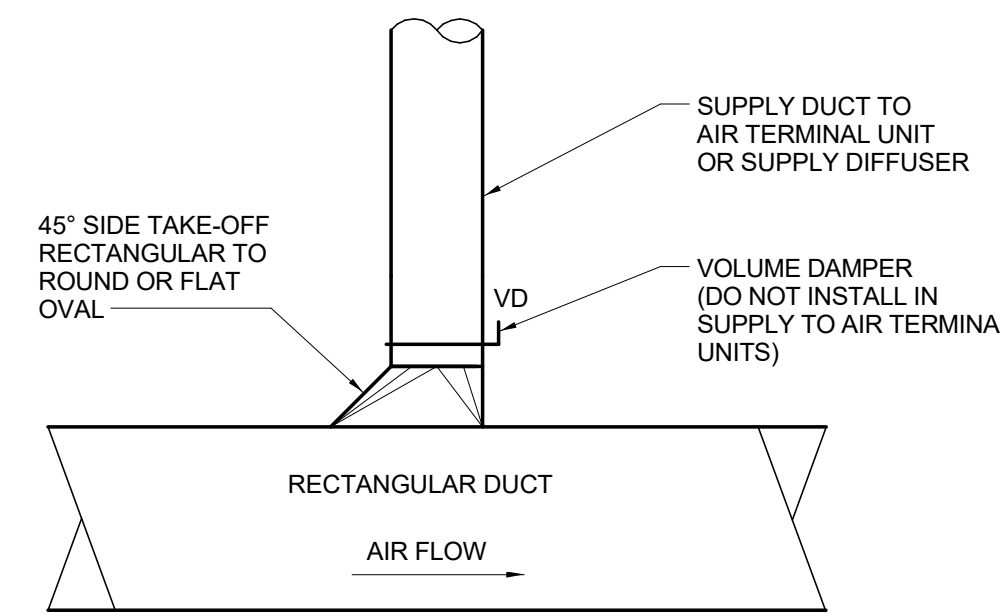


3 HOT WATER UNIT HEATER PIPING DETAIL
NOT TO SCALE

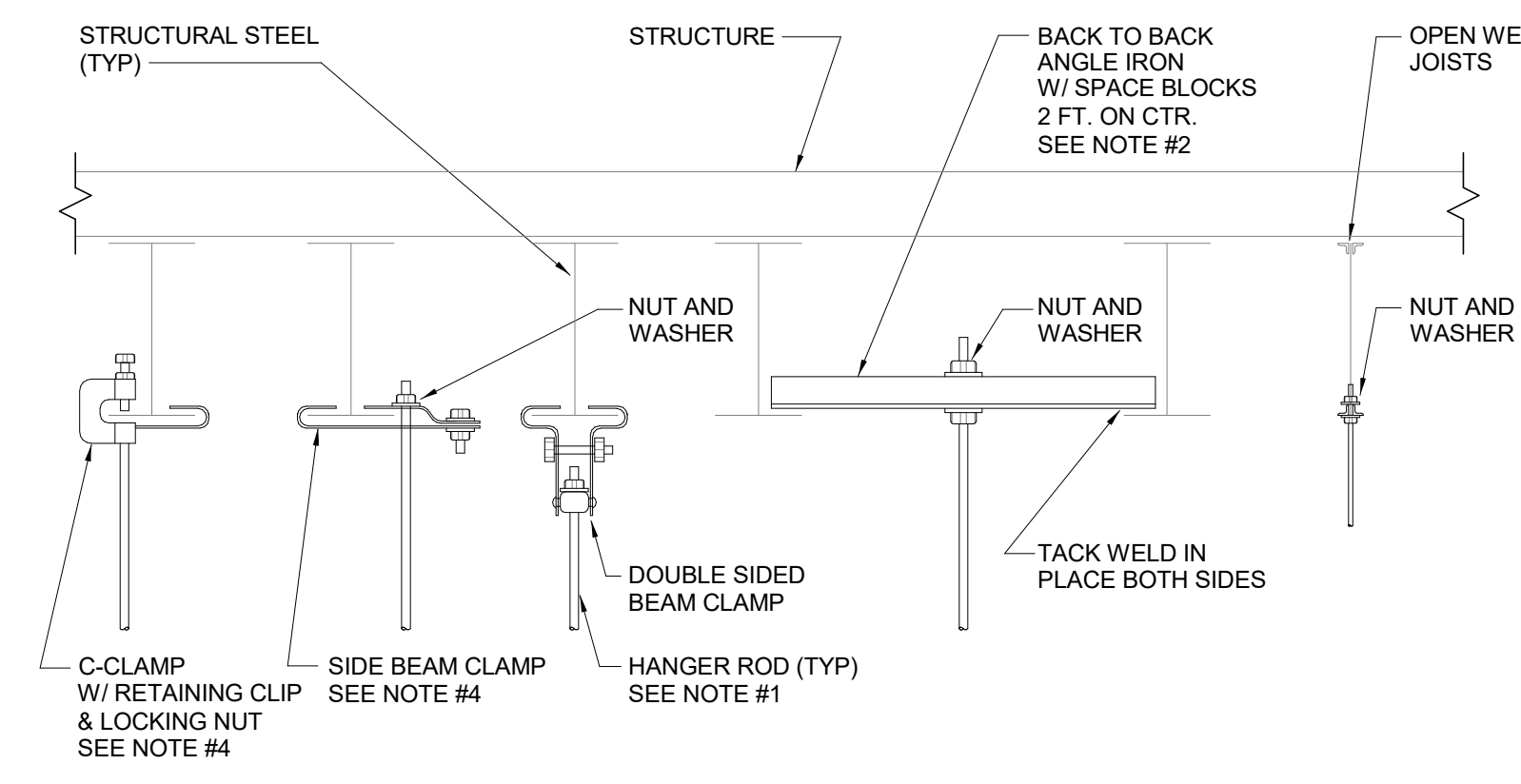


- NOTES:
- 1:7 SLOPE FOR HIGH VELOCITY
 - 1:4 SLOPE FOR LOW VELOCITY

4 DUCT OBSTRUCTION TRANSFORMATION DETAILS
NOT TO SCALE

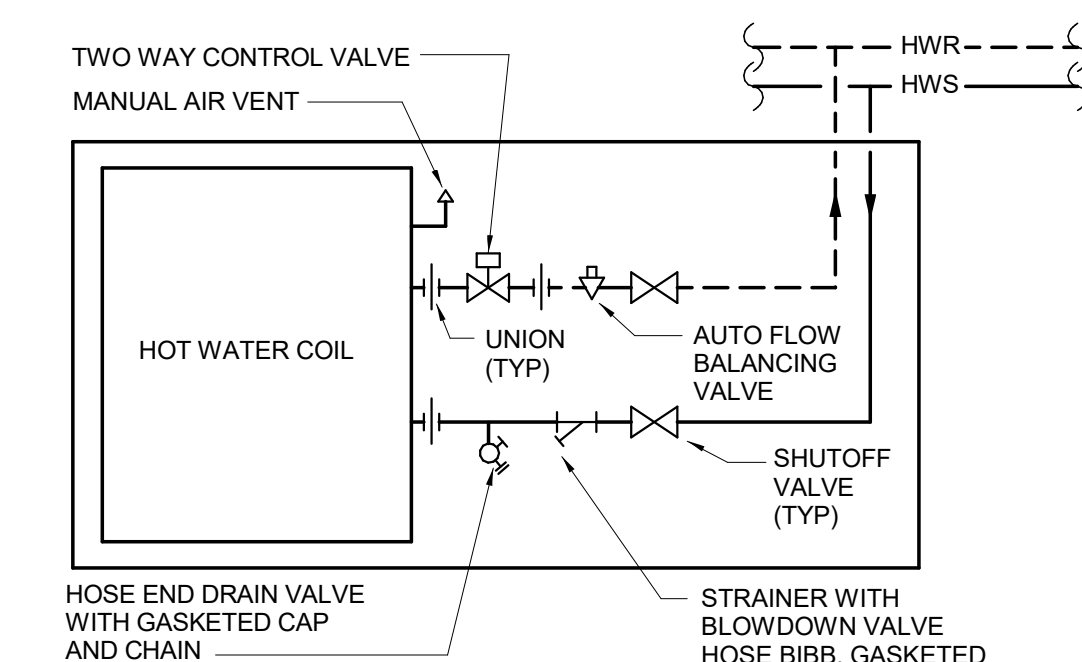


5 45° SUPPLY AIR TAKEOFF DETAIL
NOT TO SCALE

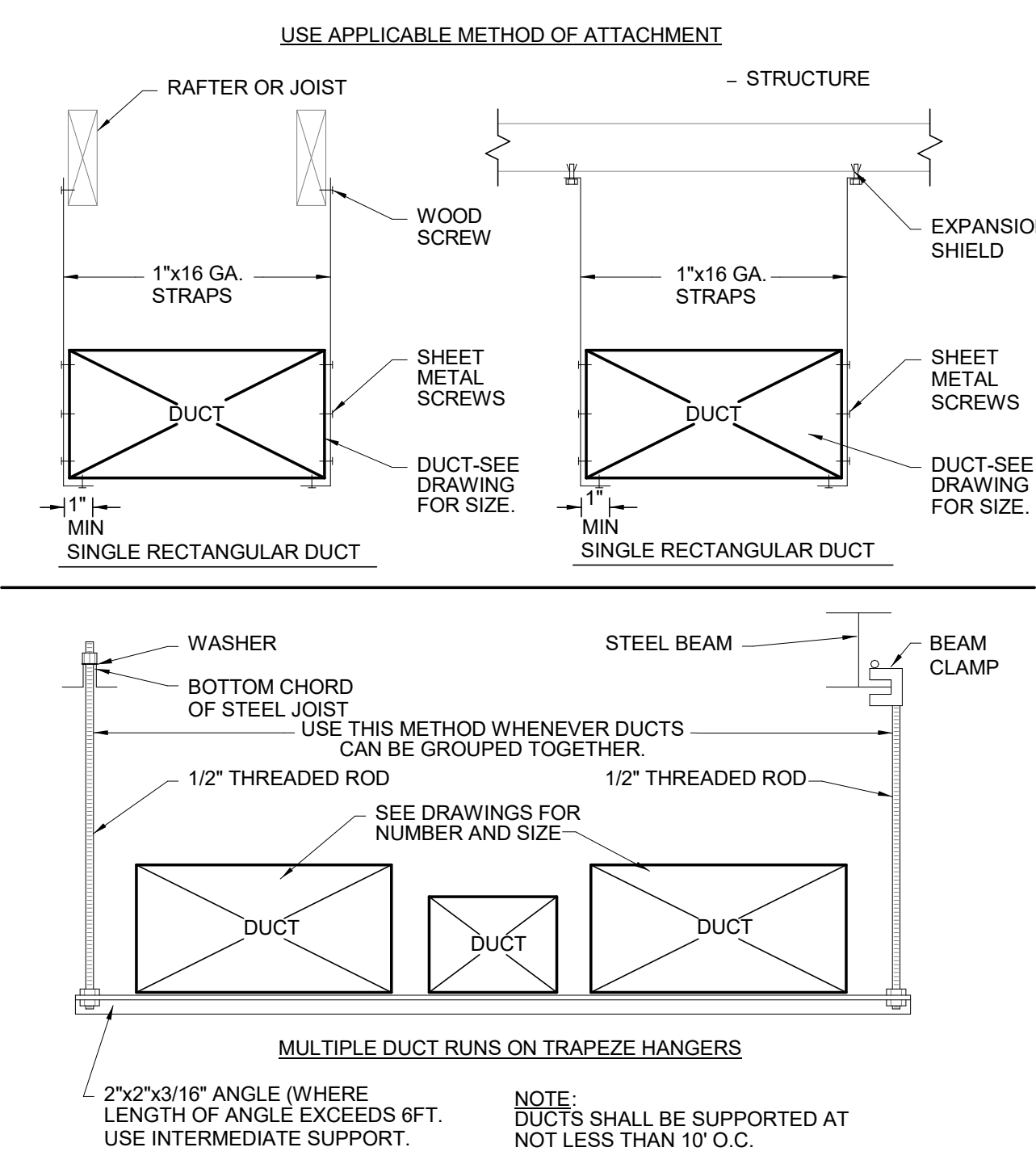


- NOTES:
1. REFER TO SPECIFICATIONS FOR HANGER ROD SIZE. FOR CEILING SUSPENDED EQUIPMENT PROVIDE MIN. 3/8" DIA. HANGER ROD (REFER TO MANUFACTURERS INSTALLATION INSTRUCTIONS).
 2. FOR PIPES UNDER 2" USE A SINGLE 1-1/2"x1-1/2"x1/4" ANGLE IRON WITH C-CLAMP. FOR PIPES 2-1/2" AND LARGER USE 3"x2"x1/4" ANGLE IRON BACK TO BACK AS SHOWN.
 3. REPAIR OF FIREPROOFING IN ORDER TO FACILITATE THE INSTALLATION OF HANGER RODS IN EXISTING CONSTRUCTION SHALL BE BY THE G.C.
 4. USE OF C-CLAMPS AND SIDE BEAM CLAMPS IS LIMITED TO PIPING 2-1/2" AND UNDER.

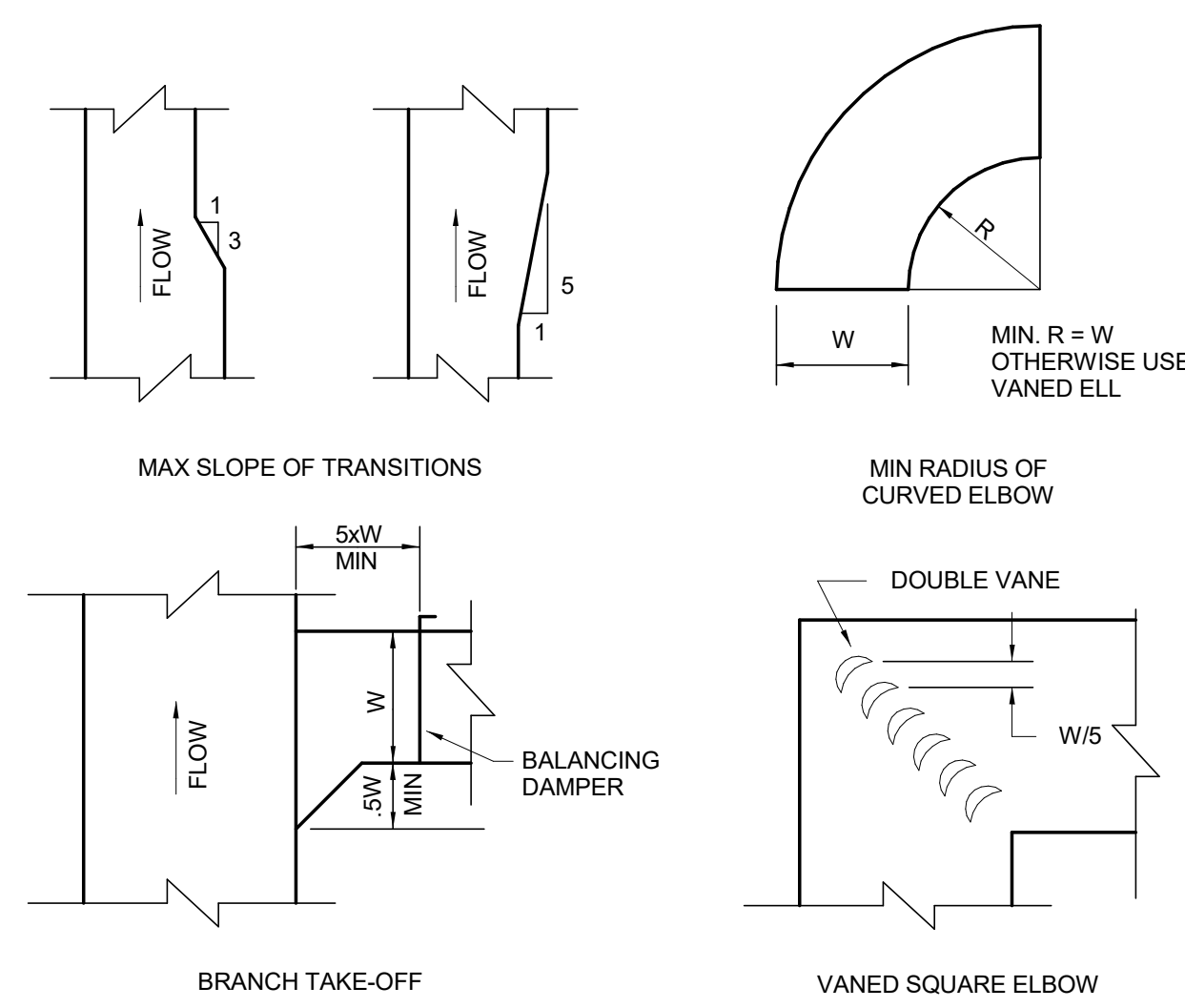
6 TYPICAL METHODS OF SECURING HANGER RODS
NOT TO SCALE



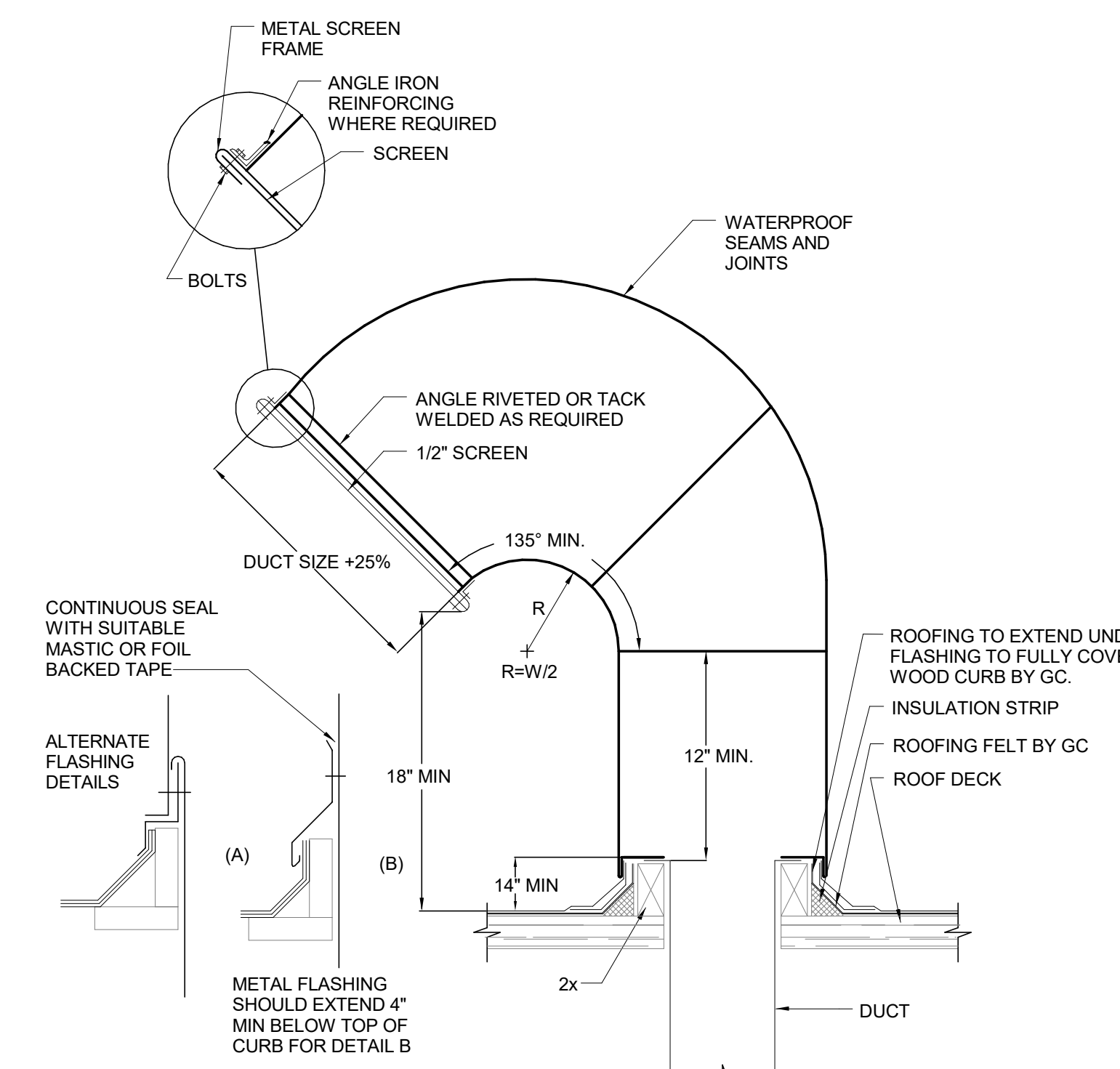
7 CABINET UNIT HEATER PIPING DETAIL
NOT TO SCALE



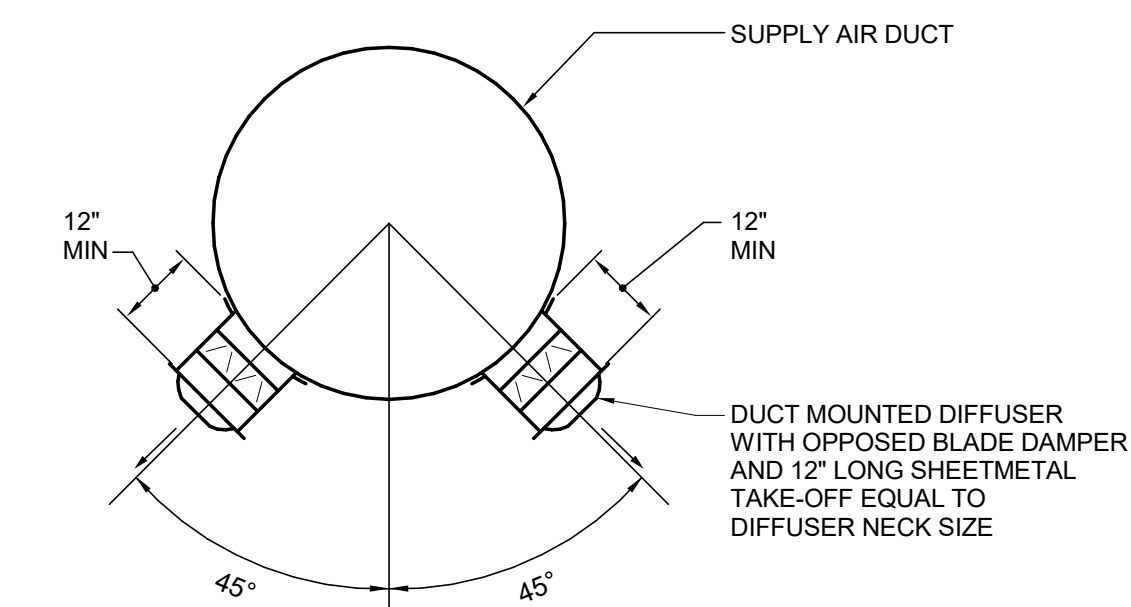
8 DUCT INSTALLATION DETAIL
NOT TO SCALE



9 DUCT CONSTRUCTION
NOT TO SCALE



10 GOOSENECK DETAIL
NOT TO SCALE



11 ROUND DUCT DIFFUSER DETAIL
NOT TO SCALE