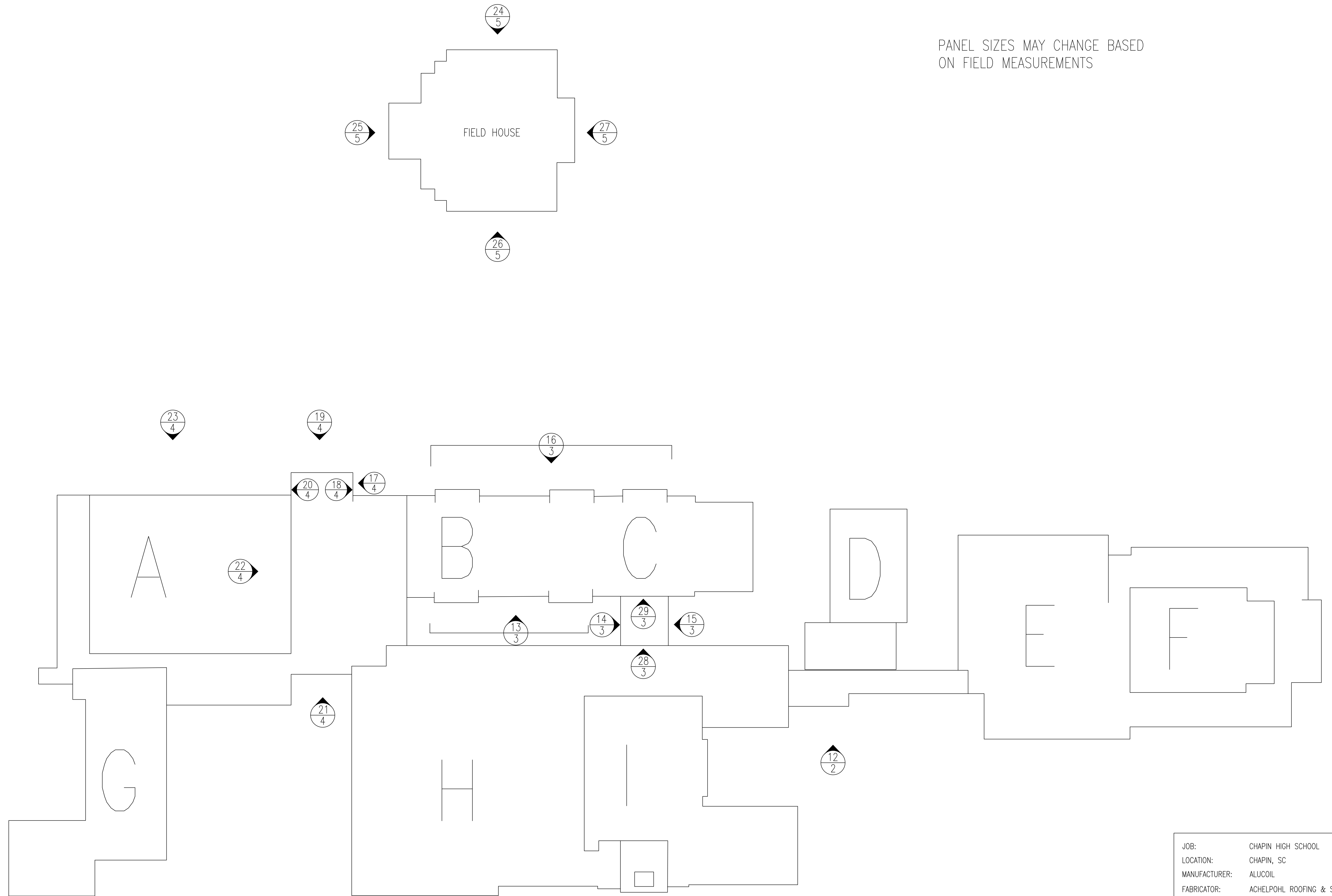


PANEL SIZES MAY CHANGE BASED  
ON FIELD MEASUREMENTS

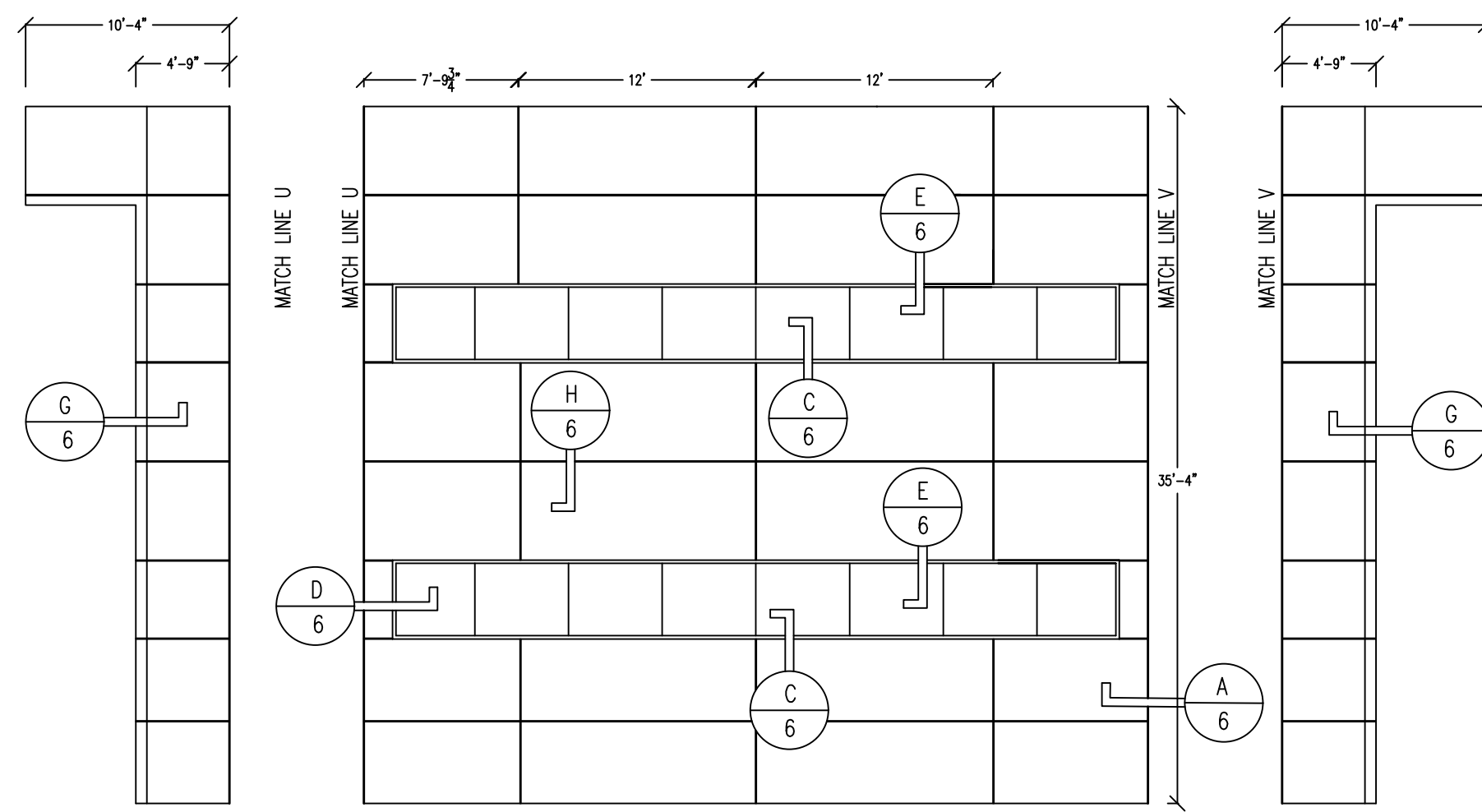


FRONT ENTRANCE  
SEE PAGE 2

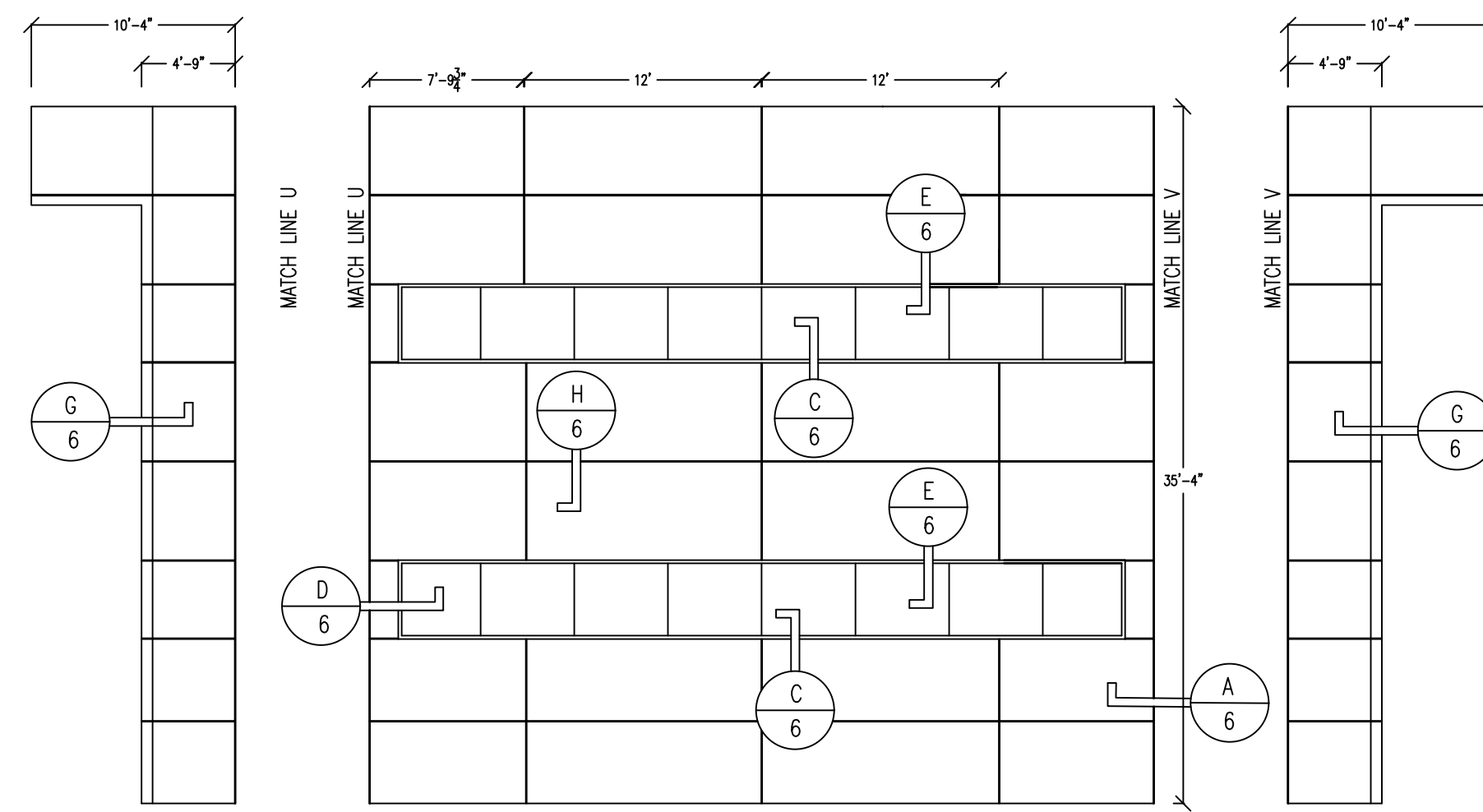
JOB:	CHAPIN HIGH SCHOOL
LOCATION:	CHAPIN, SC
MANUFACTURER:	ALUCOIL
FABRICATOR:	ACHELPOHL ROOFING & S/M
INSTALLER:	I & E SPECIALTIES

DRAWN BY:	AMANDA CHILDS	SHEET NO. 1
DATE:	11/2/15	SCALE: NTS

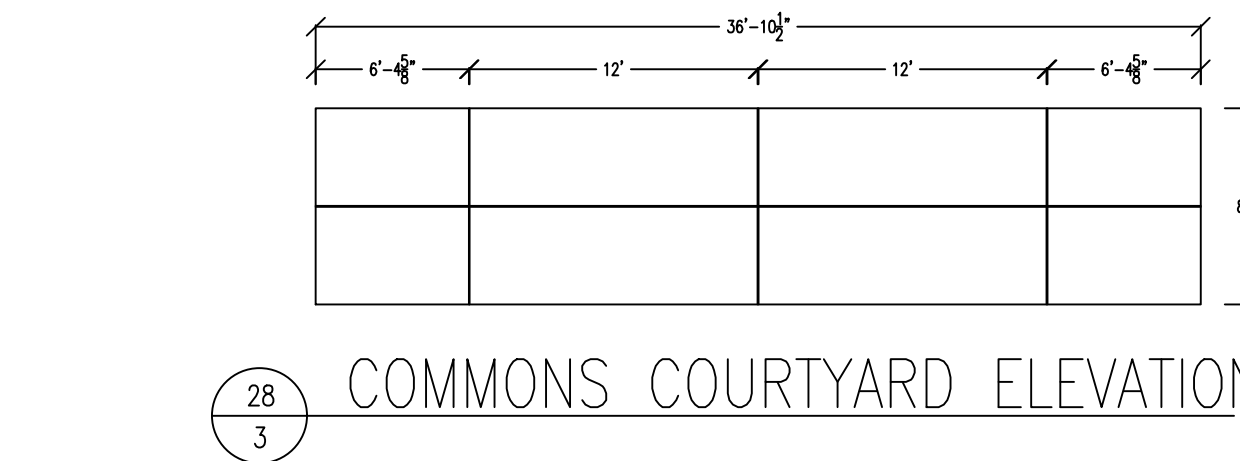




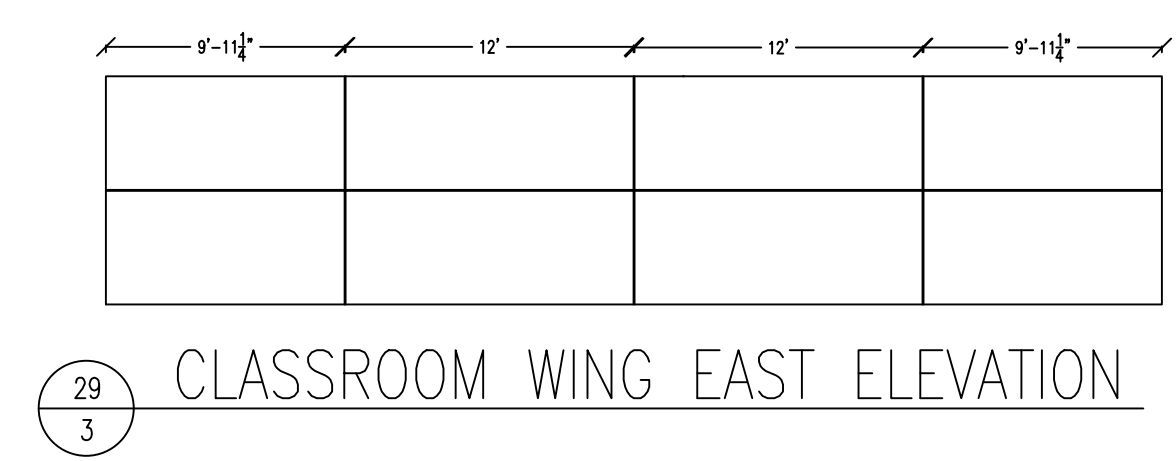
13 CLASSROOM WING COURTYARD ELEVATION



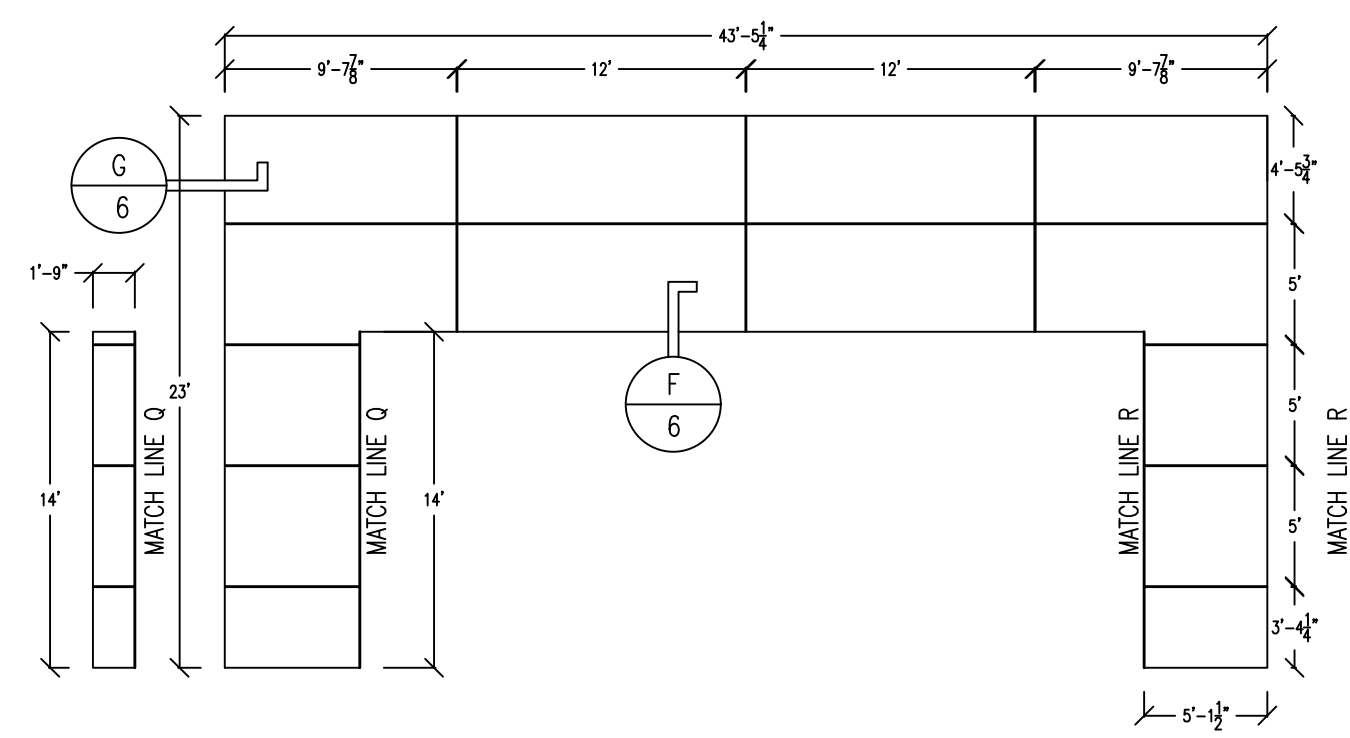
13 CLASSROOM WING COURTYARD ELEVATION



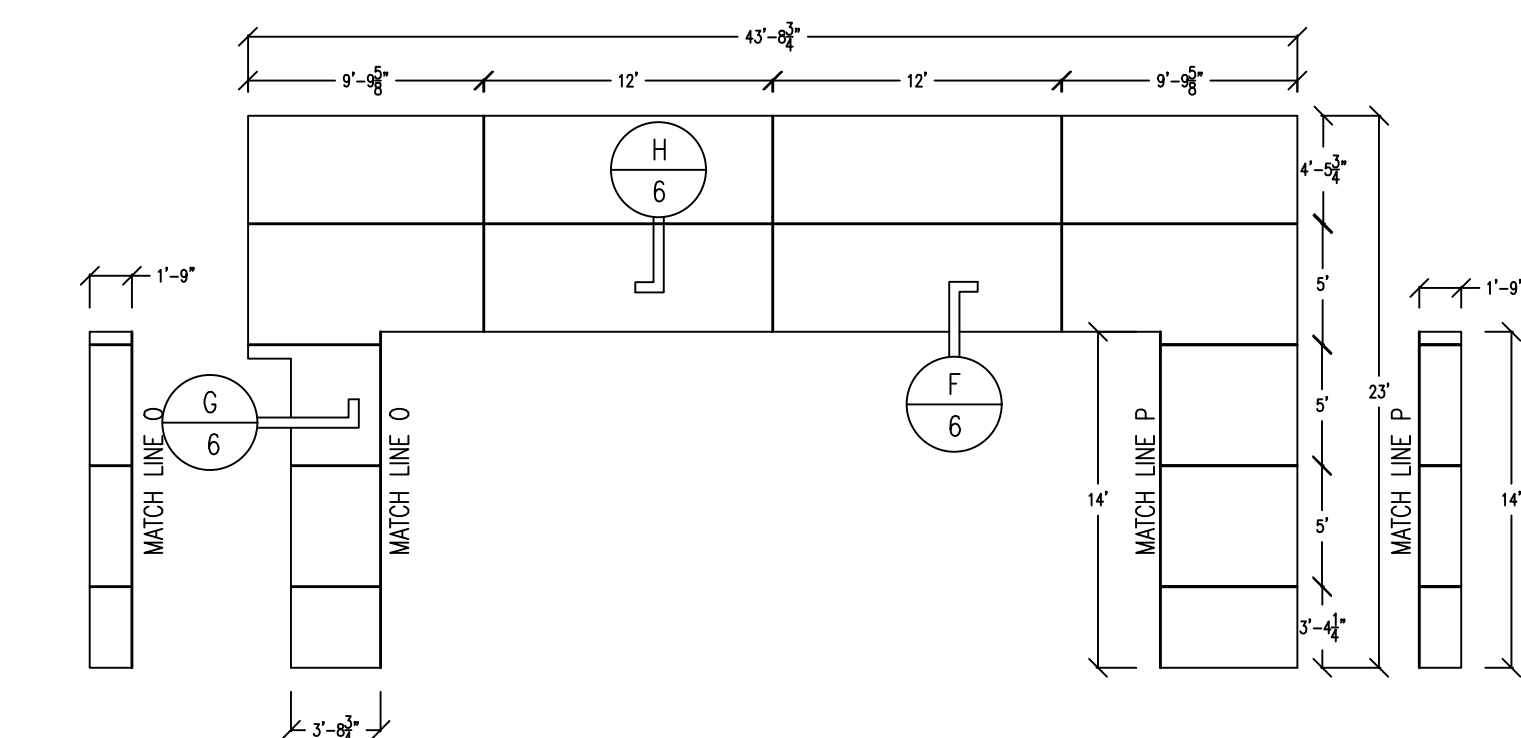
28 COMMONS COURTYARD ELEVATION



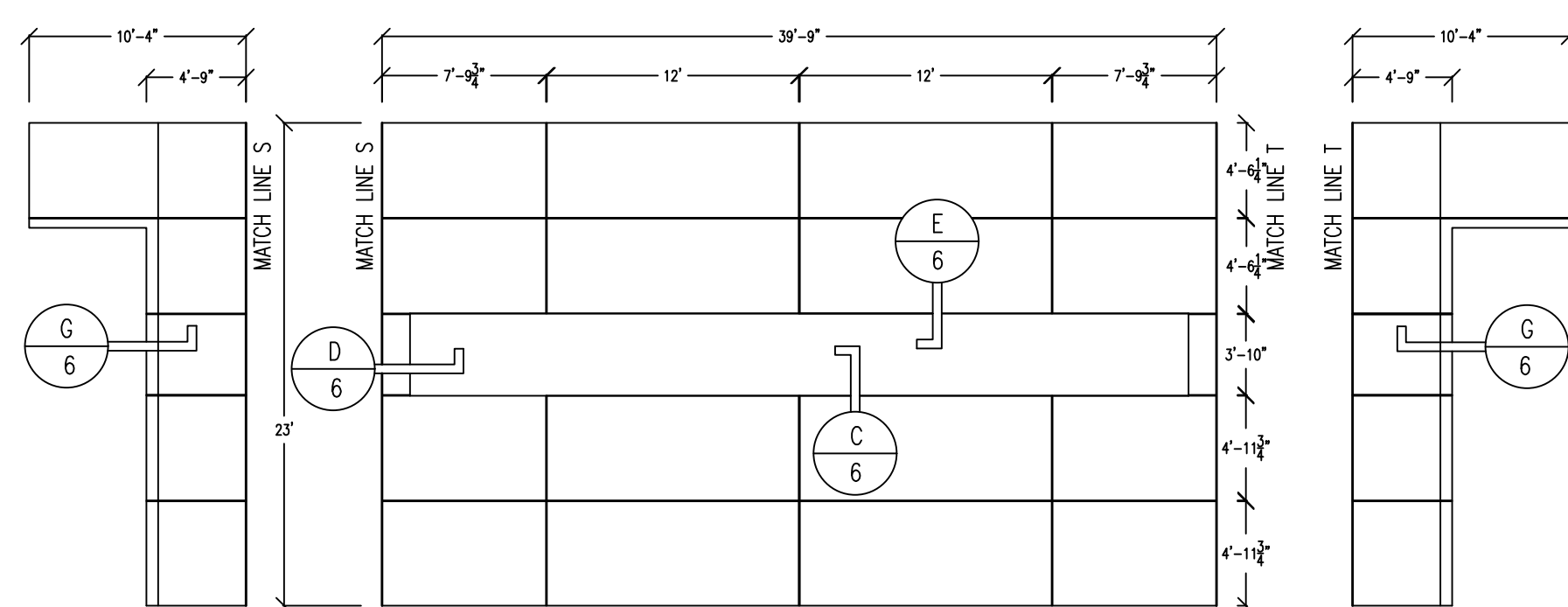
29 CLASSROOM WING EAST ELEVATION



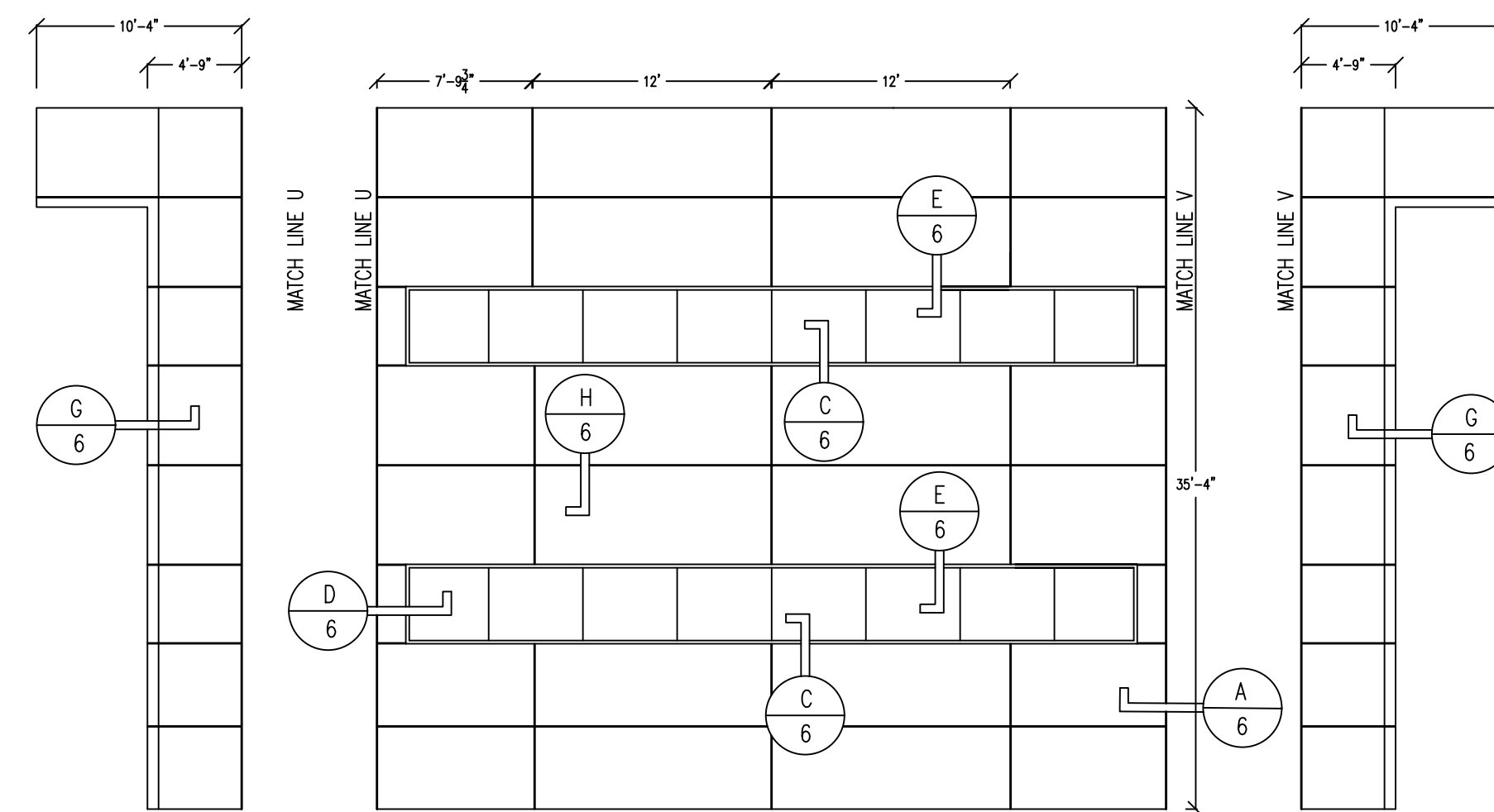
14 COMMONS COURTYARD ELEVATION



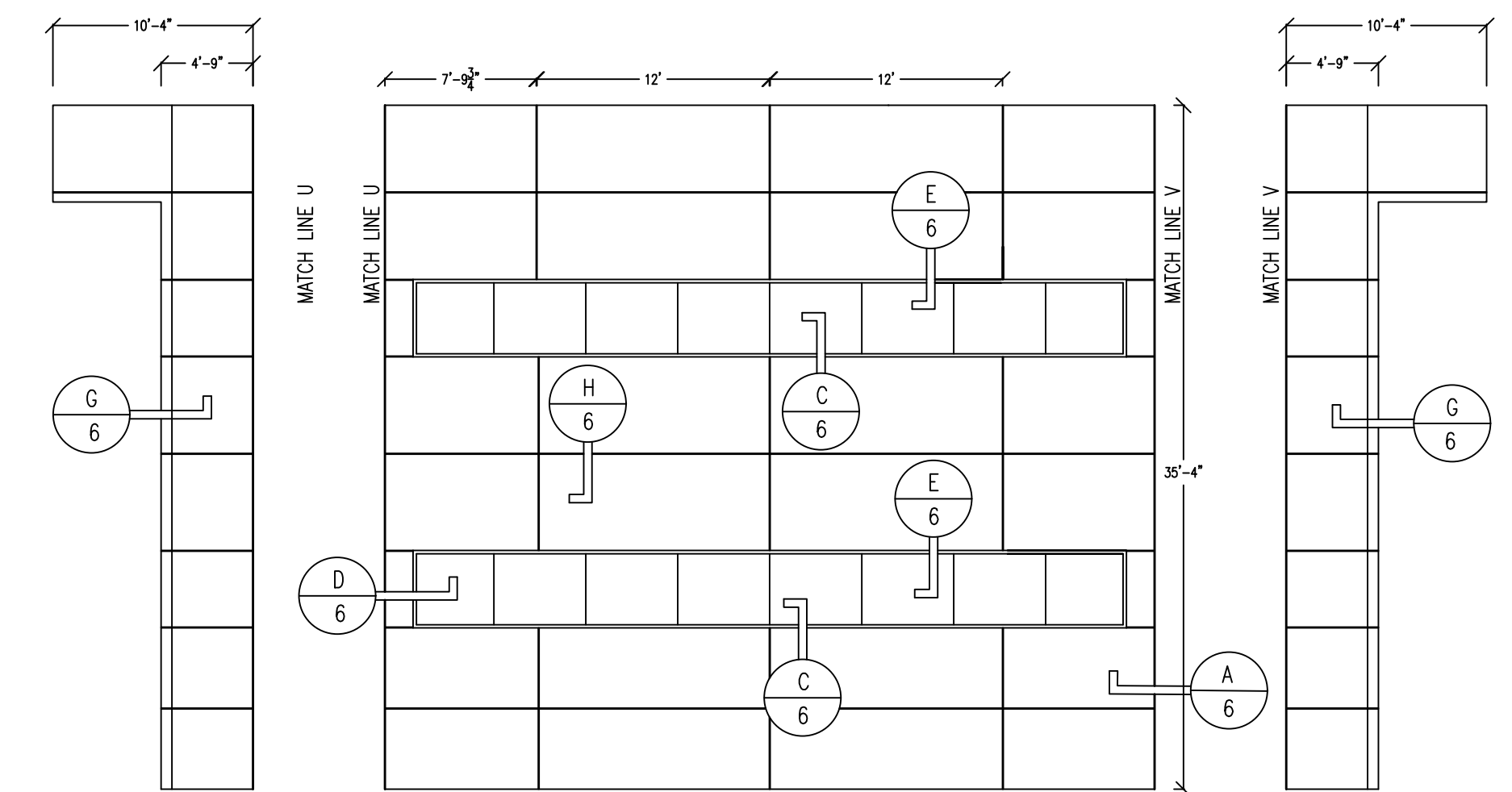
15 CLASSROOM WING EAST ELEVATION



16 NORTH ELEVATION CLASSROOM WING

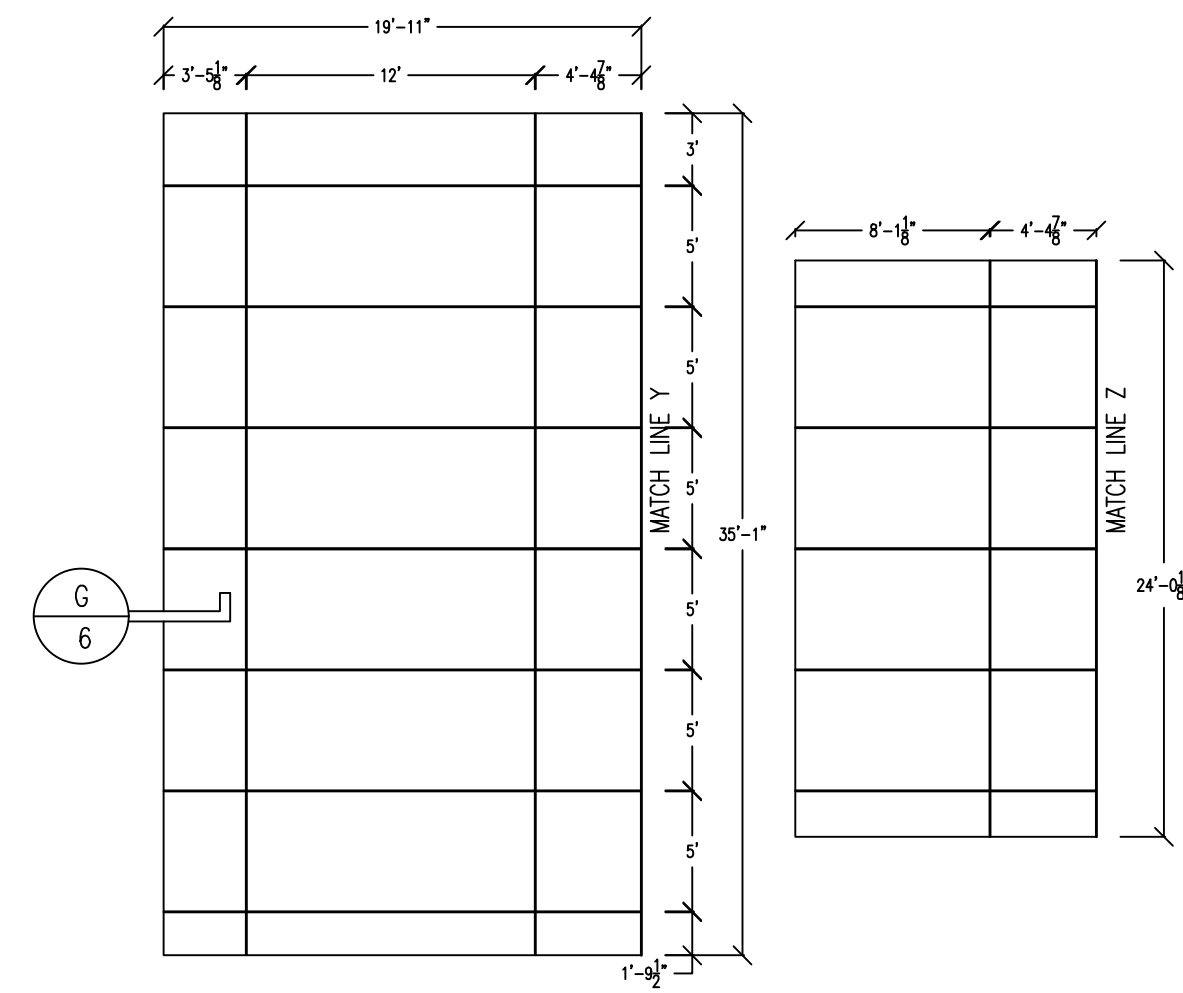


16 NORTH ELEVATION CLASSROOM WING

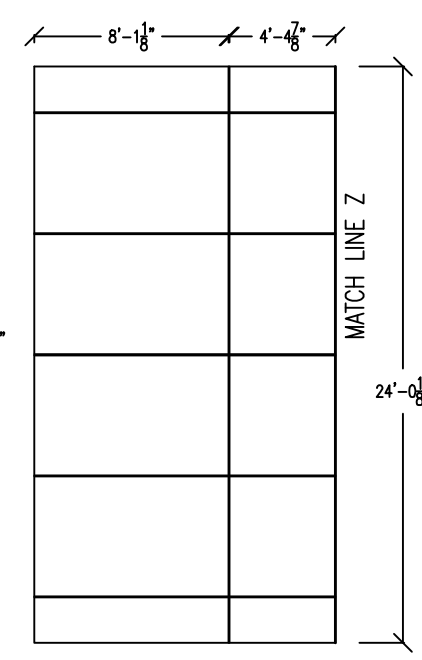


16 NORTH ELEVATION CLASSROOM WING

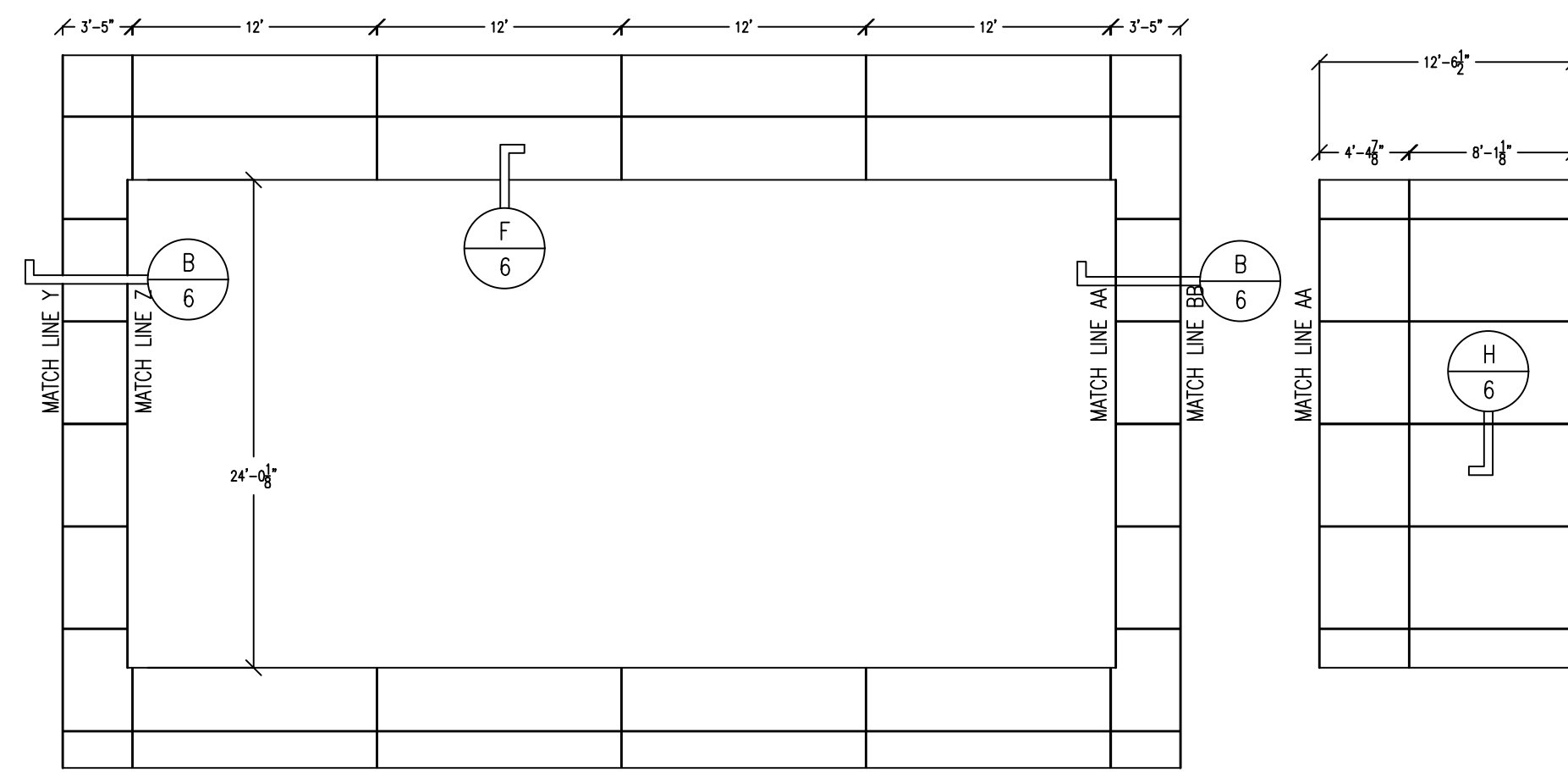
JOB:	CHAPIN HIGH SCHOOL
LOCATION:	CHAPIN, SC
MANUFACTURER:	ALUCOIL
FABRICATOR:	ACHELPOHL ROOFING
INSTALLER:	I & E SPECIALTIES
DRAWN BY:	AMANDA CHILDS
DATE:	11/2/15
SCALE:	1/8"=1'
SHEET NO.	3



17  
4

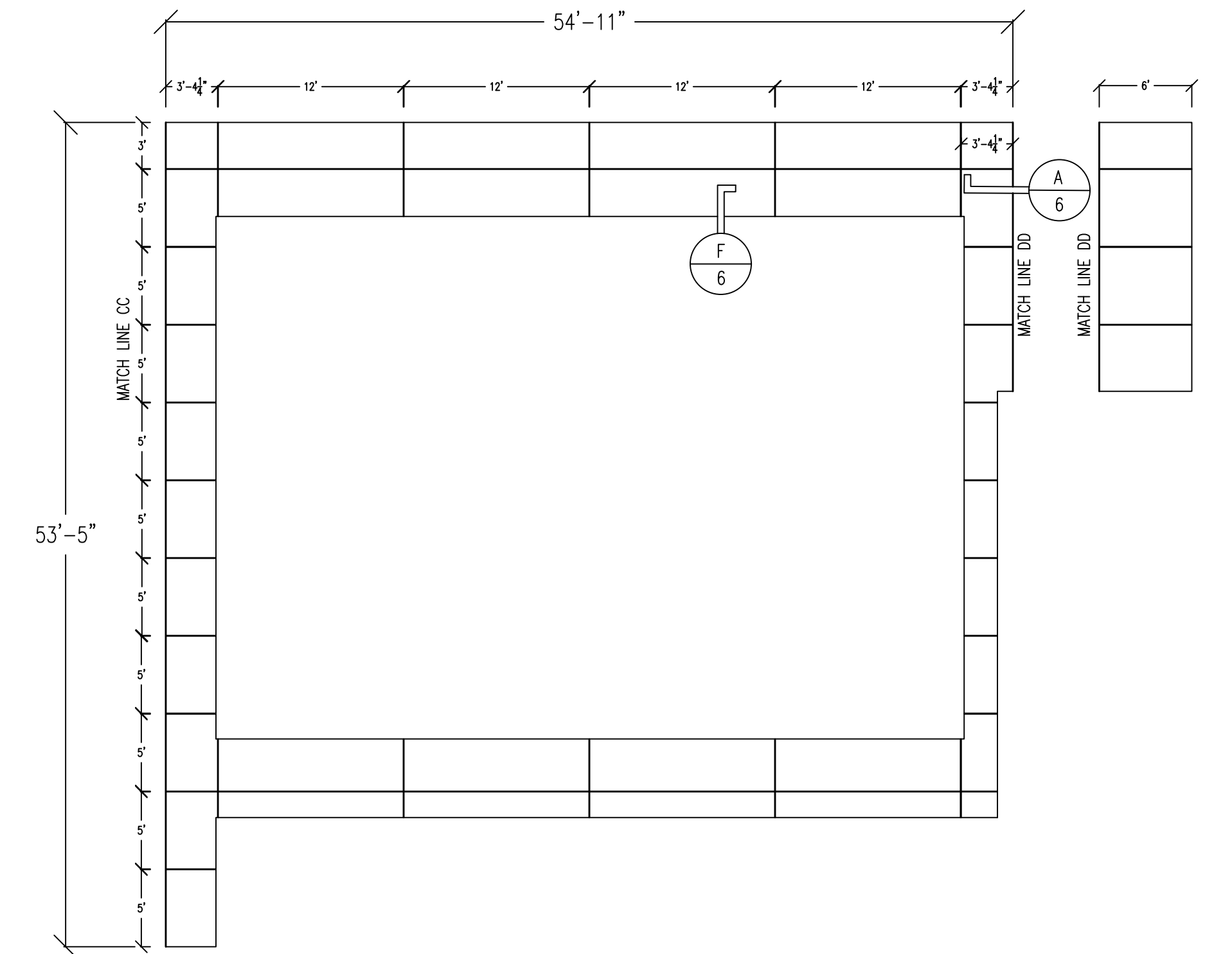


18  
4

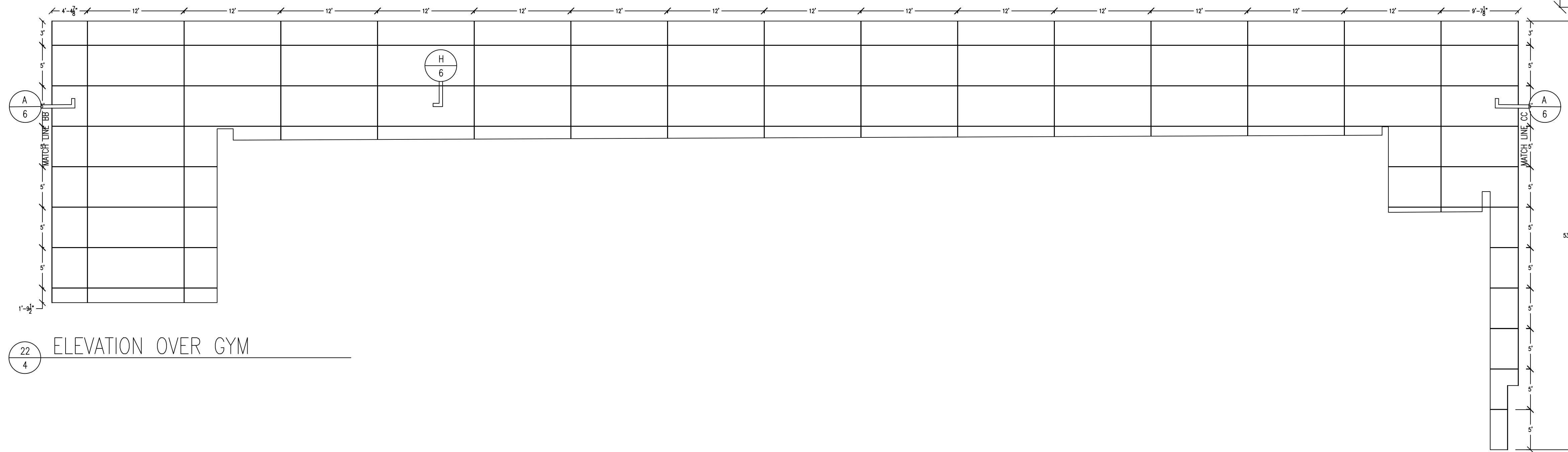


19 NORTH ELEVATION GYM ENTRANCE

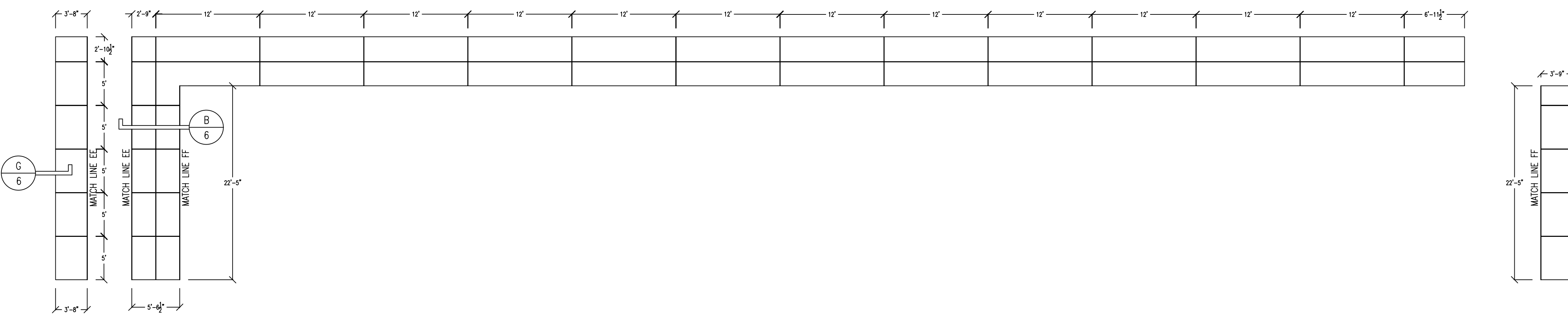
20  
4



21 SOUTH COMMONS ELEVATION



22 ELEVATION OVER GYM

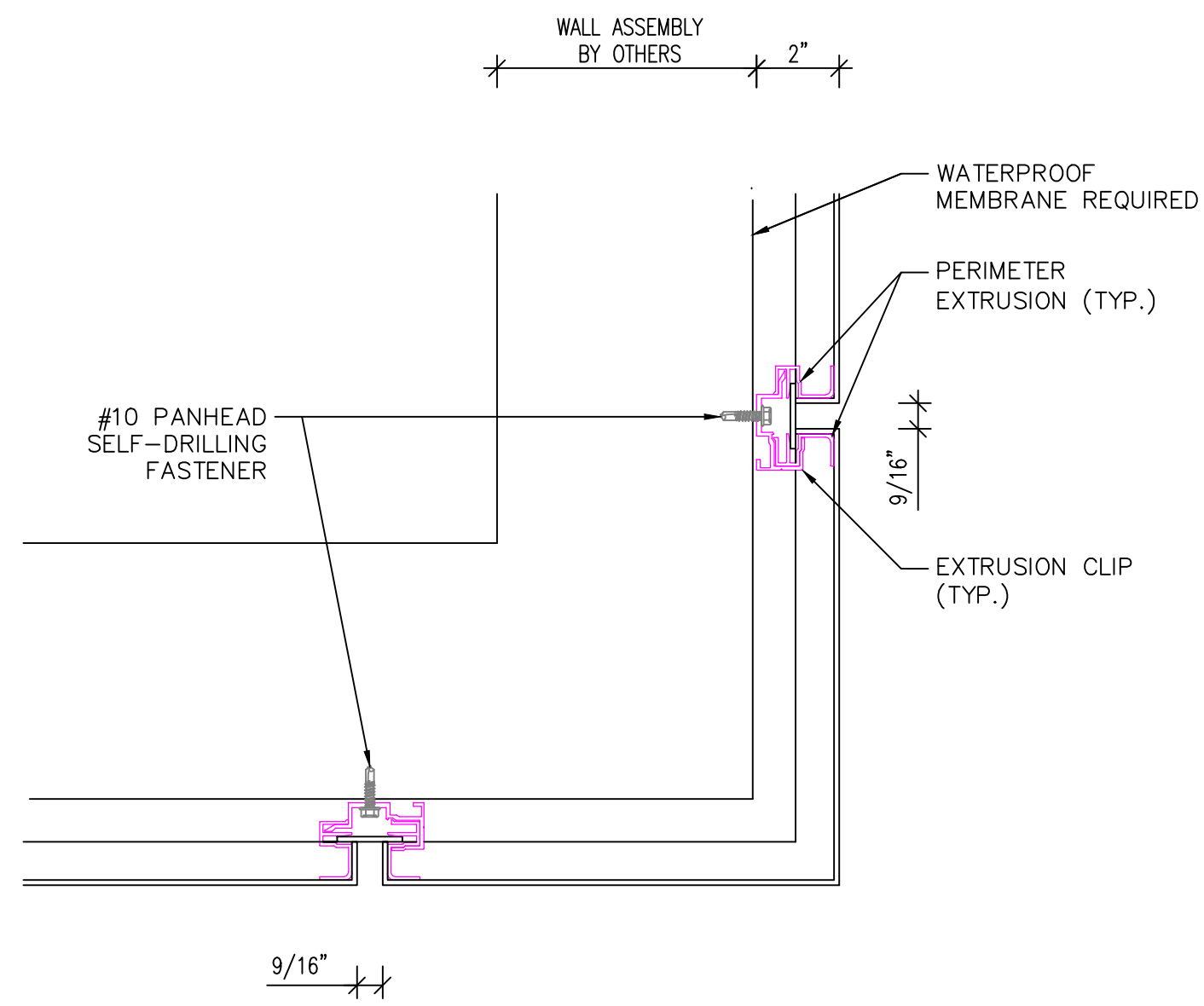


23 NORTH ELEVATION GYM

JOB: CHAPIN HIGH SCHOOL  
 LOCATION: CHAPIN, SC  
 MANUFACTURER: ALUCOIL  
 FABRICATOR: ACHELPOHL ROOFING  
 INSTALLER: I & E SPECIALTIES

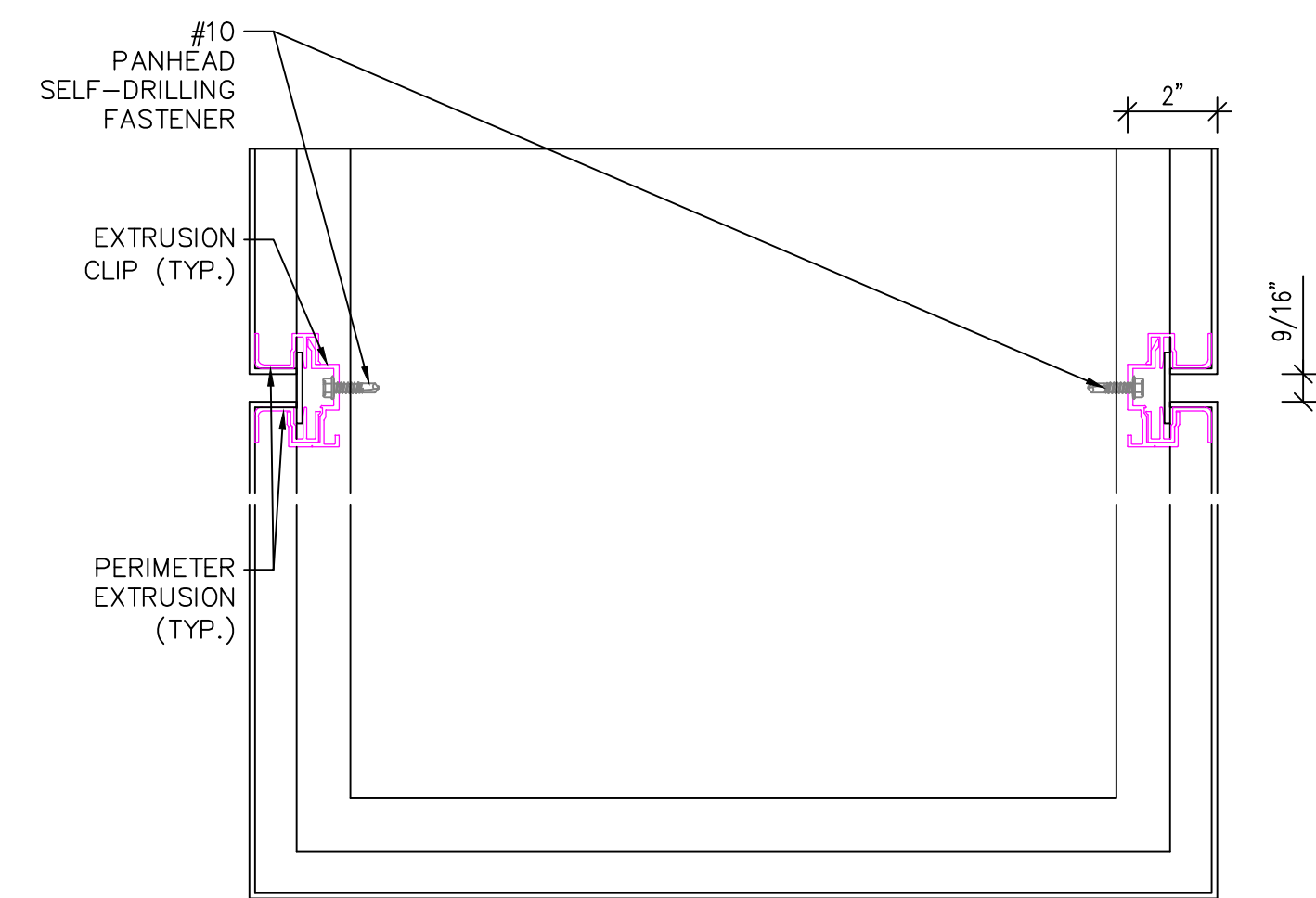
DRAWN BY: AMANDA CHILDS  
 DATE: 11/2/15 SCALE: 1/8"=1' SHEET NO. 4





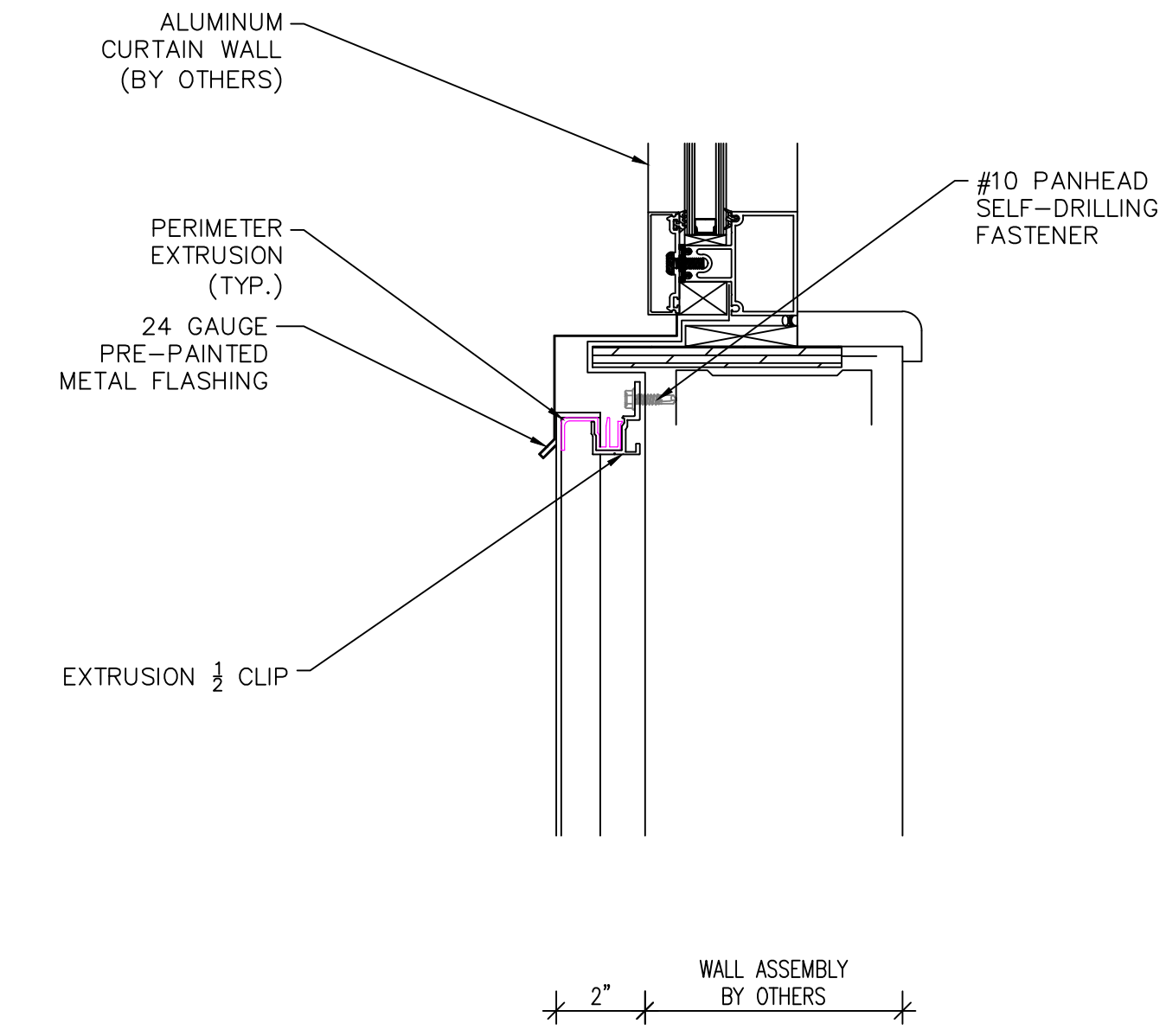
A  
6

OUTSIDE CORNER DETAIL



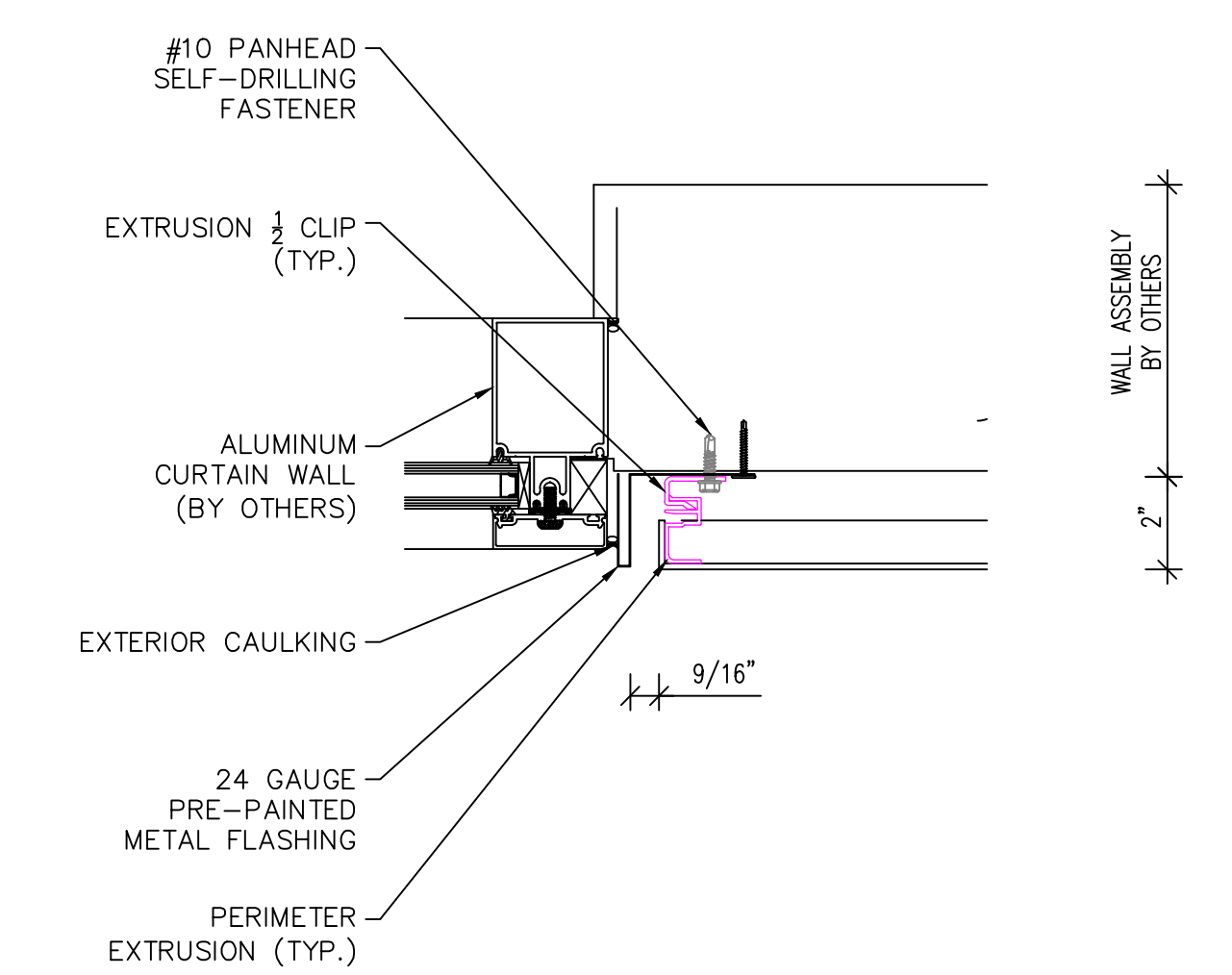
B  
6

DOUBLE CORNER DETAIL



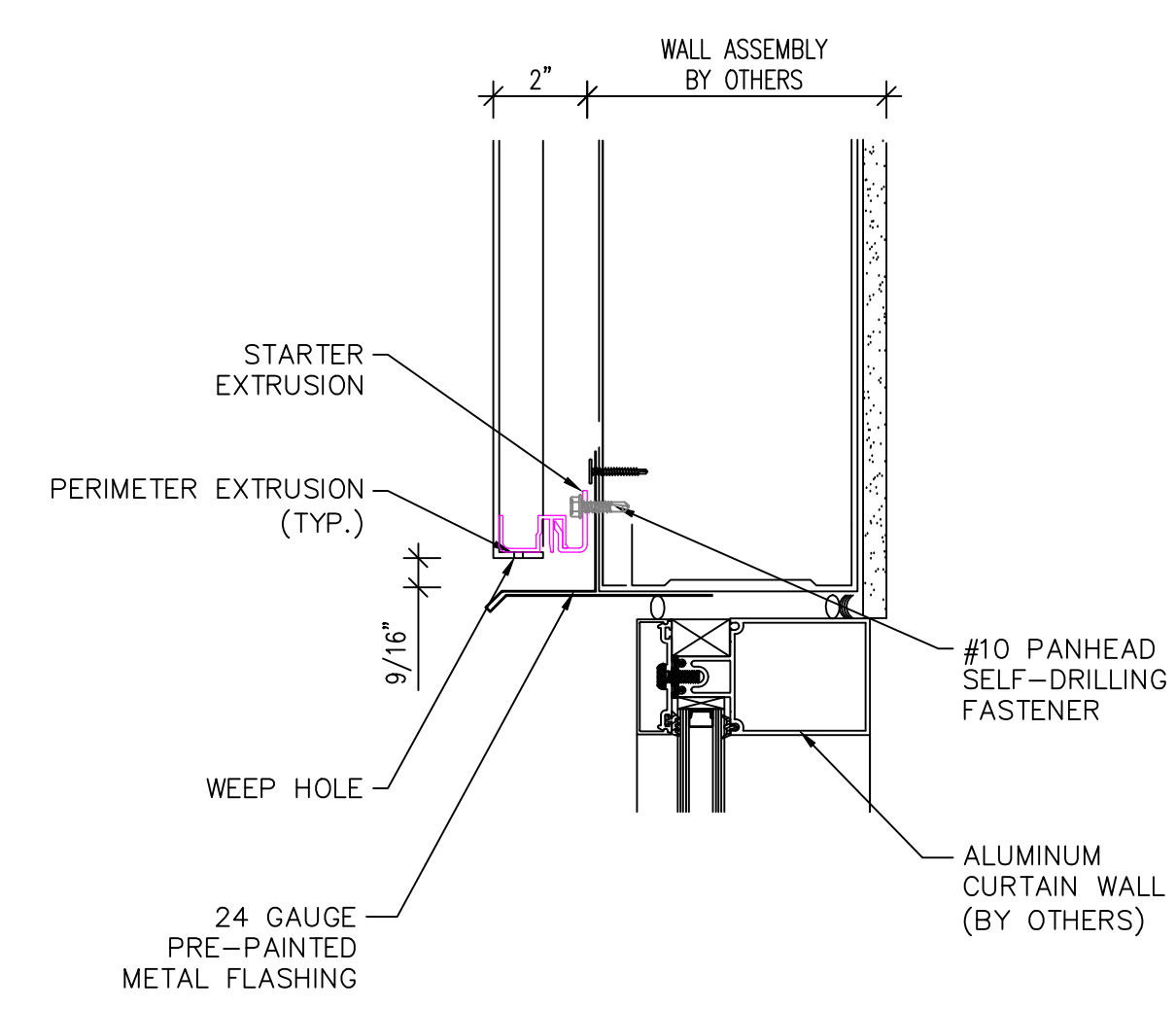
C  
6

WALL PANEL AT SILL DETAIL



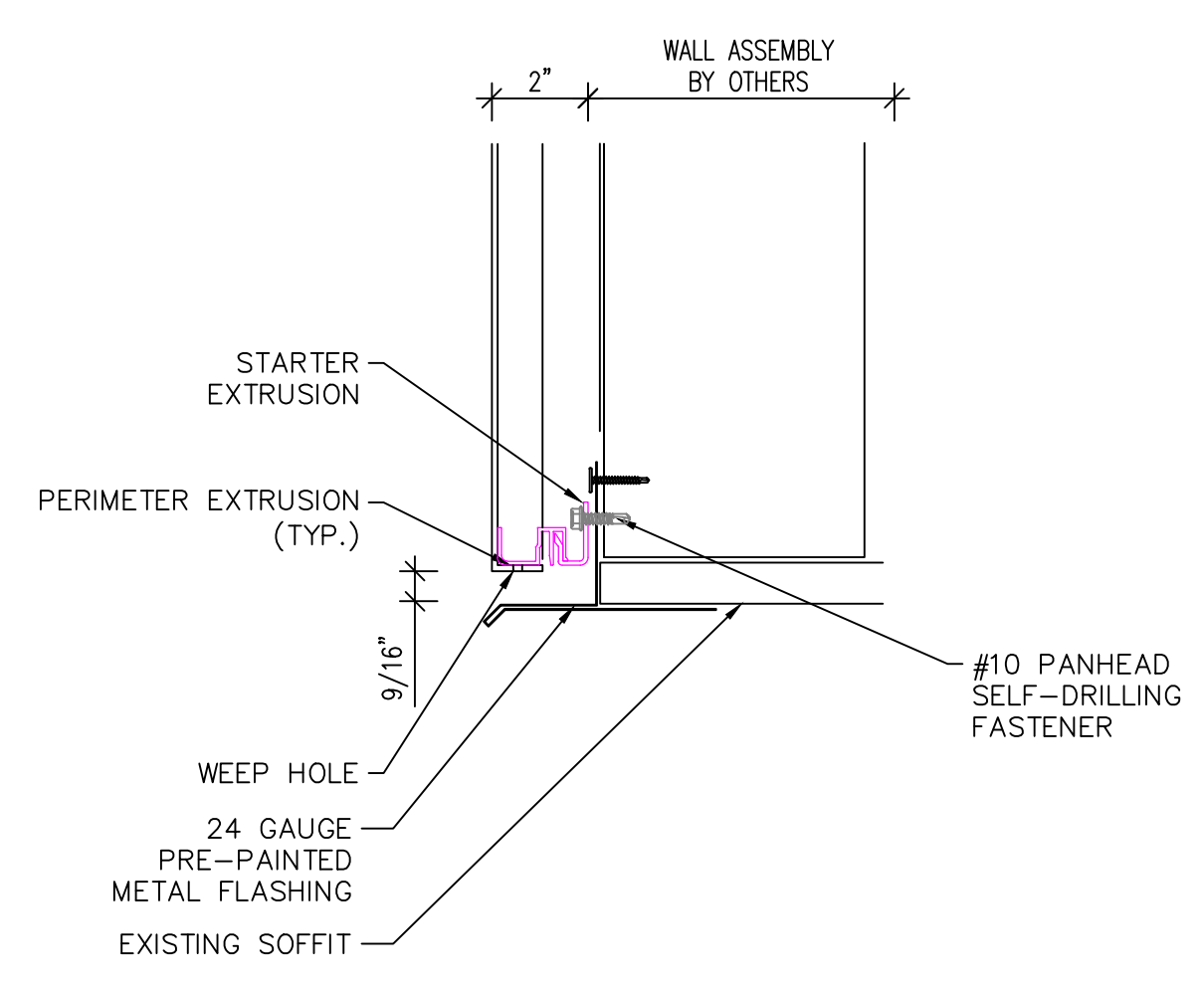
D  
6

WALL PANEL AT JAM DETAIL



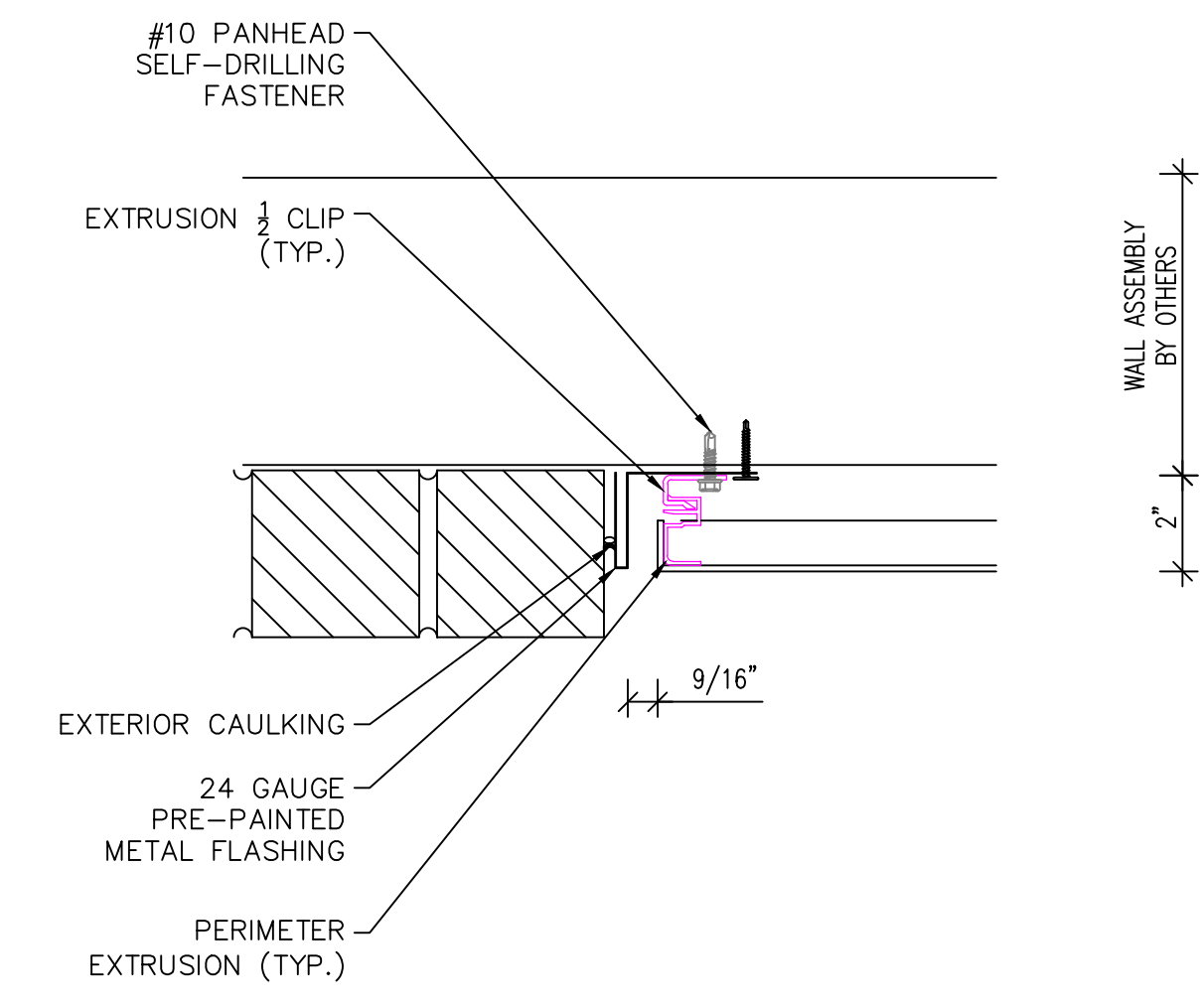
E  
6

WALL PANEL AT HEAD DETAIL



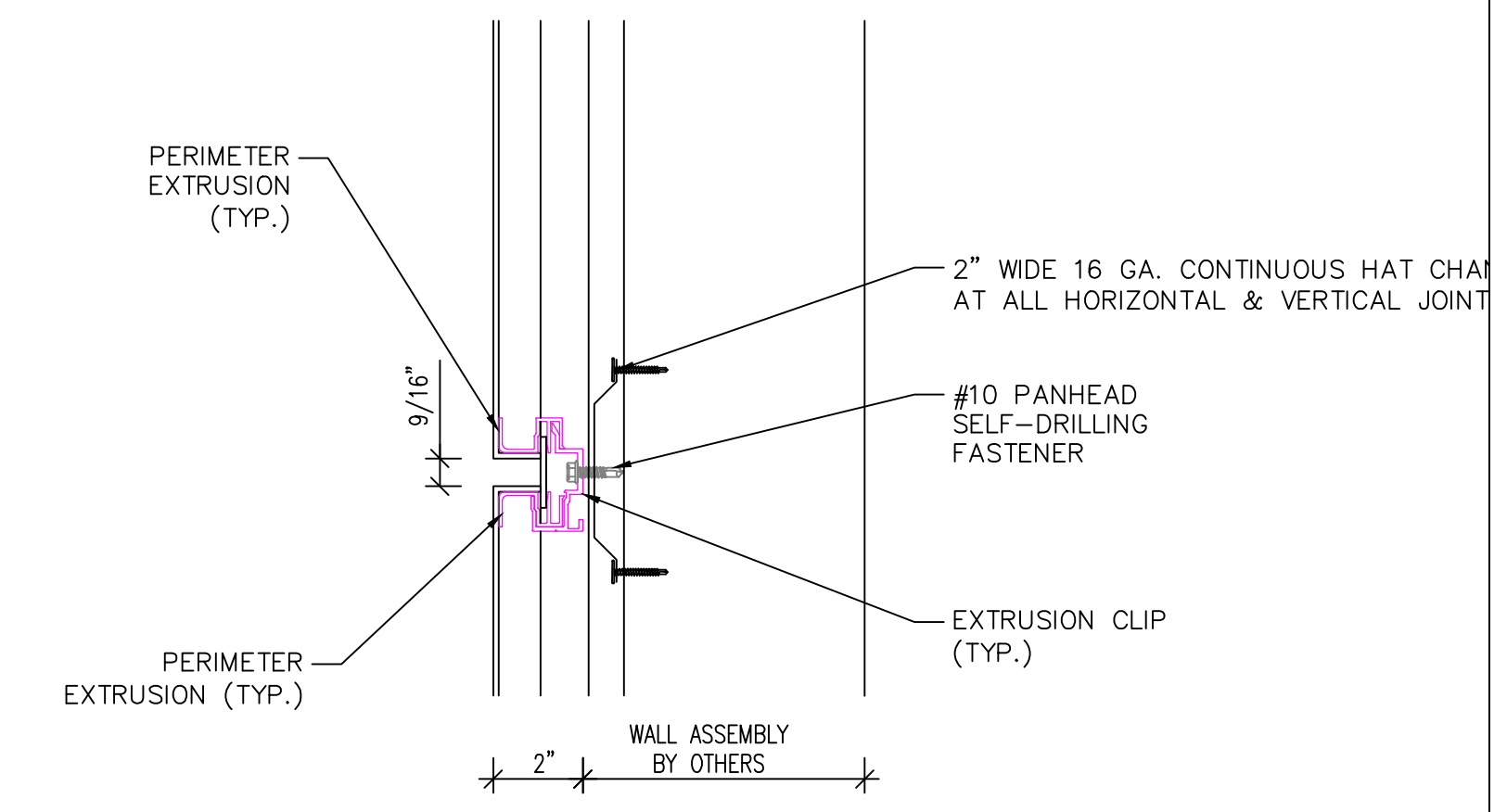
F  
6

SOFFIT DETAIL



G  
6

WALL PANEL AT BRICK DETAIL



H  
6

JOINT DETAIL (HORIZONTAL & VERTICAL)

JOB:	CHAPIN HIGH SCHOOL
LOCATION:	CHAPIN, SC
MANUFACTURER:	ALUCOIL
FABRICATOR:	ACHELPOHL ROOFING
INSTALLER:	I & E SPECIALTIES
DRAWN BY:	AMANDA CHILDS
DATE:	11/2/15
SCALE:	3"=1'
SHEET NO.	6