



Architect:  
**STR PARTNERS LLC**  
Chicago, Illinois

**ADDENDUM NO. 2**  
June 2, 2021

STR Project Number 21033

Project:  
**EEC PLAYGROUND RENOVATION**  
882 W. Nippersink Road  
Round Lake, Illinois 60073

Owner:  
**Round Lake Area Schools**  
**Community Unit School District 116**  
884 W. Nippersink Road  
Round Lake, Illinois 60073



STR PARTNERS LLC  
350 West Ontario Street  
Suite 200  
Chicago IL 60654  
312.464.1444  
www.strpartners.com

## **ADDENDUM NO. 2**

PROJECT: **EEC PLAYGROUND RENOVATION**  
**COMMUNITY UNIT SCHOOL DISTRICT 116**

PROJECT NO: **21033**

ISSUE DATE: **June 2, 2021**

---

Construction Drawings, Specifications and Bidding Documents for the above captioned Project, dated May 13, 2021, are revised, amended and clarified as follows. All provisions of the original Drawings and Specifications shall remain in force, except as specifically modified or changed herein, or by other Addenda.

### **A. CLARIFICATIONS:**

#### **1. Hours of Construction:**

- a. **Construction** activities between Jun 1, 2021 and August 18, shall occur between the hours of 7:00am and 7:00pm (M-F) to be in compliance with Village ordinances.

### **B. SPECIFICATIONS:**

#### **1. Section 01 21 00, ALLOWANCES**

- a. **CLARIFY** that the allowance amount shall be included within the contract sum. The contract sum shall also include the contractor's cost for the work completed through the use of the allowance (i.e. handling at the site, protection of product and material, labor for installation and finishing, overhead and profit, etc.).

#### **2. Section 11 68 10, PLAYGROUND EQUIPMENT INSTALLATION**

- a. **CLARIFY** that the attached spreadsheet confirms the equipment and quantities purchased by the District to be assigned to the contractor for installation.

### **C. ARCHITECTURAL DRAWINGS:**

#### **1. Sheet A1.0, Playground Plan**

- a. **ADD** Detail 4 stainless steel handrail extension at end of ramp, typical.

### **Attachments:**

Specifications: 116810 Playground Equipment/Quantity List

Civil: none

Architectural: A1.0

**END OF ADDENDUM 2**

## EEC Playground Equipment List

Model #	Item Description	QTY
<b>Meyer Design Playground Equipment</b>		
<b>Preschool Playground Area</b>		
Custom M-Play Unit	ADA Preschool Play Structure w/ (3) 60"x60" HDPE Roofs Recycled in plastic with 5"x5" Posts and 48" x48" Deck, To include: Double Slide, Ramp Climber, Step Climber, 2 step staircase, ADA Transfer Station, bedrock climber, cleat climber, vertical ladder climber, rock wall climber, and 2-arch bridges	1
Custom	Triple (3) Trike Shed w/Floor & Extensions Includes 2 fillers where sheds are adjacent to another shed	1
Custom	Gas Station Panel 3'-6" (W) for existing GFP façade	1
Custom	Farmers Market Panel 3'-6" (W) for existing GFP façade	1
DRP0049	6' Freestanding Sink & Stove for existing GFP facade	1
NAT0031	Cast Tree Cookie Pavers Music/School Bus/Playhouse/Gas Pump/Pergola Areas	58
DRP0066	Main Street Trolley w/ (1) Custom "Round Lake" Sign  "Round Lake" in front of tunnel, Trolly span over 5' wide concrete path	1
BRG0013	5' x 6' Arch Bridge	1
SPL0030	Pre-Toddler Large Sand Table 16" (H) w/ HDPE Hard Lid	1
WTP0025	Pre-Toddle Water Table 16" (H) w/ HDPE Hard Lid	1
WTP0017	Water Spill Post for Water Table w/hose hook-up	1
STO0014	4' Storage Bench for Theater Play Manipulatives	3
SEA0013	60" Octagon Tree Bench for Preschool Area	1
DRGA0015	Stage Five Theatre 8' x 8' Sign in Middle of Stage w/ Round Lake Custom Logo on sign Custom Sign "Children's Theatre" (2) side Dramatic Panels "Snacks & Tickets"	1
GU	Natural Barn Stone Seating for Theater Stage Area	6
<b>Birth to 3 Year Playground Area</b>		
SEA0012	Octagon Tree Bench 48" for Birth-3 Area	1
INF0030	Double Tot Glider 3'-6" (H) Beam Height	1
STO0014	4' Storage Bench for Birth-3 Area	1
<b>Garden Nature Area</b>		
SEA0021Rev	ADA Preschool Picnic Table 24" (H)/ HDPE Top	2
<b>Nature Construction Building Area</b>		
STO0015	Storage Units w/ Shelves (no doors) 60"x33"x42" (H)	2
NAT0032	Set of Natural Cedar Tree Cookies 16 Tree Cookies in each set	2
Custom	4' Wooden Planks - Sanded and Sealed	2

## EEC Playground Equipment List

### Fifthroom Equipment

Custom	12'x12' Tan Vinyl Pergola w/Teakwood Composite Deck Galvanized hardware, 36" High Post Trim, 12" Top Runner Spacing, 8ft 5"x5" Vinyl w/ Wood Posts,, Straight Posts, Free Standing Kit	1
--------	--	---

### Spaces For Play Equipment

Custom	Natural Log Tunnel	1
6LT	6' Log Tunnel (Fake)	1
Custom	SoundPlay Marimba Musical Instrument - (4) Mallets w/Tethering (only)	4

### Playcraft Playground Equipment

1809	Triple Toss Funnel Goal	1
Custom AG-1397-FXLG	Fixed Mounted School Bus w/ (2) Custom Signs and (1) Custom "116" License Plate sign Surface mount (not spring toy), 8" (H) Step-Up install of School Bus height, (2) Custom Side of Bus Signs "Round Lake ECC" Ask principal to remove step part or install without step.	1
2918-F Fir Tree Climbers		
2918-22	1'-10" (1 Branch) Tree Climber	1
2918-34	2'-10" (2 Branches) Tree Climber	1
2918-P Pine Tree Climber		
2918-46	3"-10" (3 Branches) Tree Climber	1
<b>Ultra Play Playground Equipment</b>		
UP501	Stepping Boulder Climbers (2) Small and (1) Large Boulder Climbers (2) 8" (H) and (1) 18" (H) Boulders	1
LPAD-IG_REC	Lilypad Cymbals - Inground	1
FWR-T-IG	Turquoise Flower - Inground	1



**ARCHITECTURAL SITE PLAN GENERAL NOTES**

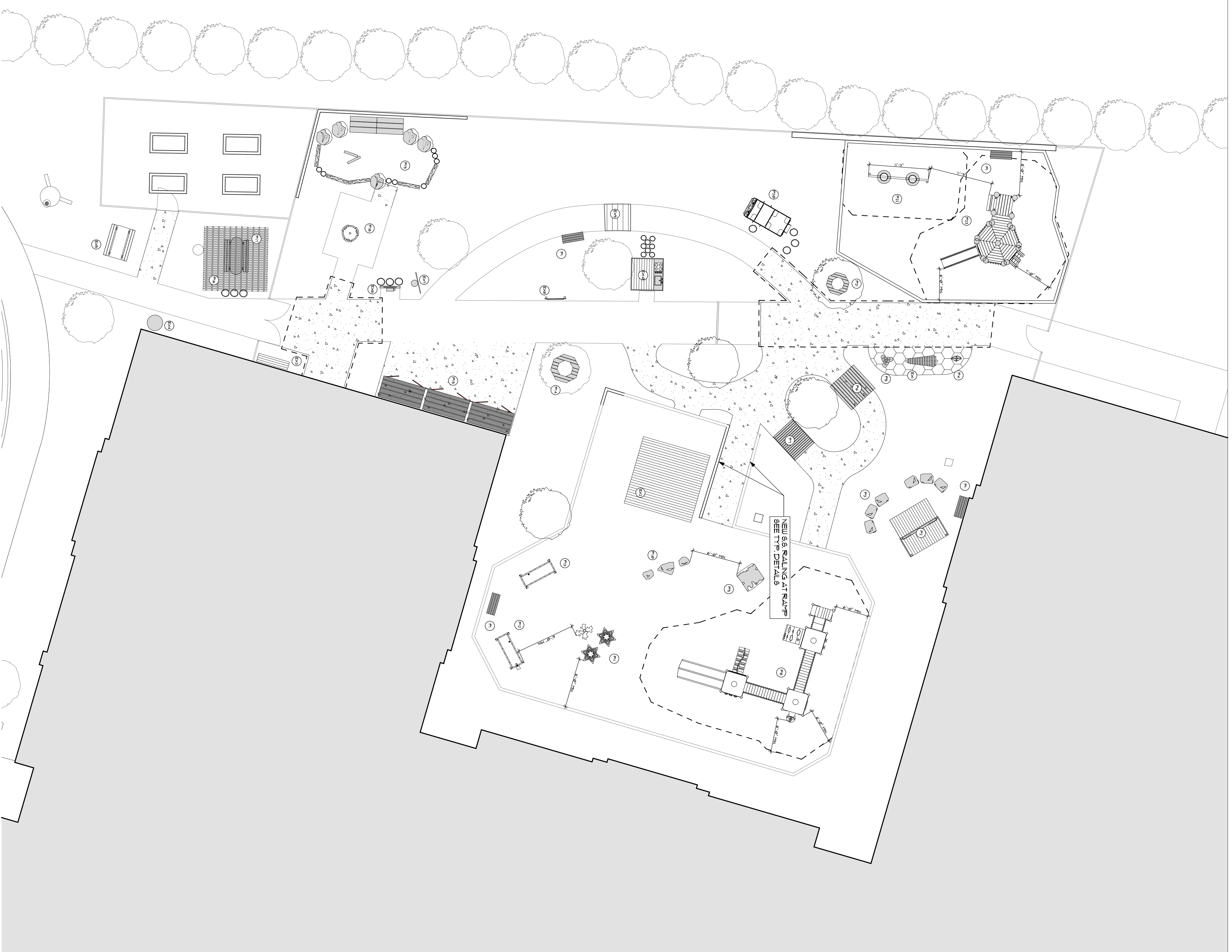
- SEE CIVIL ENGINEERING DOCUMENTS FOR ADDITIONAL INFORMATION.
- SEE LANDSCAPE DOCUMENTS FOR ADDITIONAL INFORMATION.
- ALL SURFACES DISTURBED BY DEMOLITION AND NEW CONSTRUCTION TO BE MATCHED AND REPAIRED TO MATCH EXISTING ADJACENT MATERIALS AND SURFACES.
- CAREFULLY REVIEW CONSTRUCTION DRAWINGS FOR ANY CONFLICTS WITH THE DEMOLITION DRAWINGS. IF NEW CONSTRUCTION CONFLICTS WITH EXISTING ITEMS, EXISTING CONSTRUCTION SHALL BE MAINTAINED AND RECONSTRUCTED FOR NEW CONSTRUCTION.
- COORDINATE WITH WORK BY OWNER UNDER SEPARATE CONTRACTS.

**EXISTING PLAYGROUND EQUIPMENT NOTES**

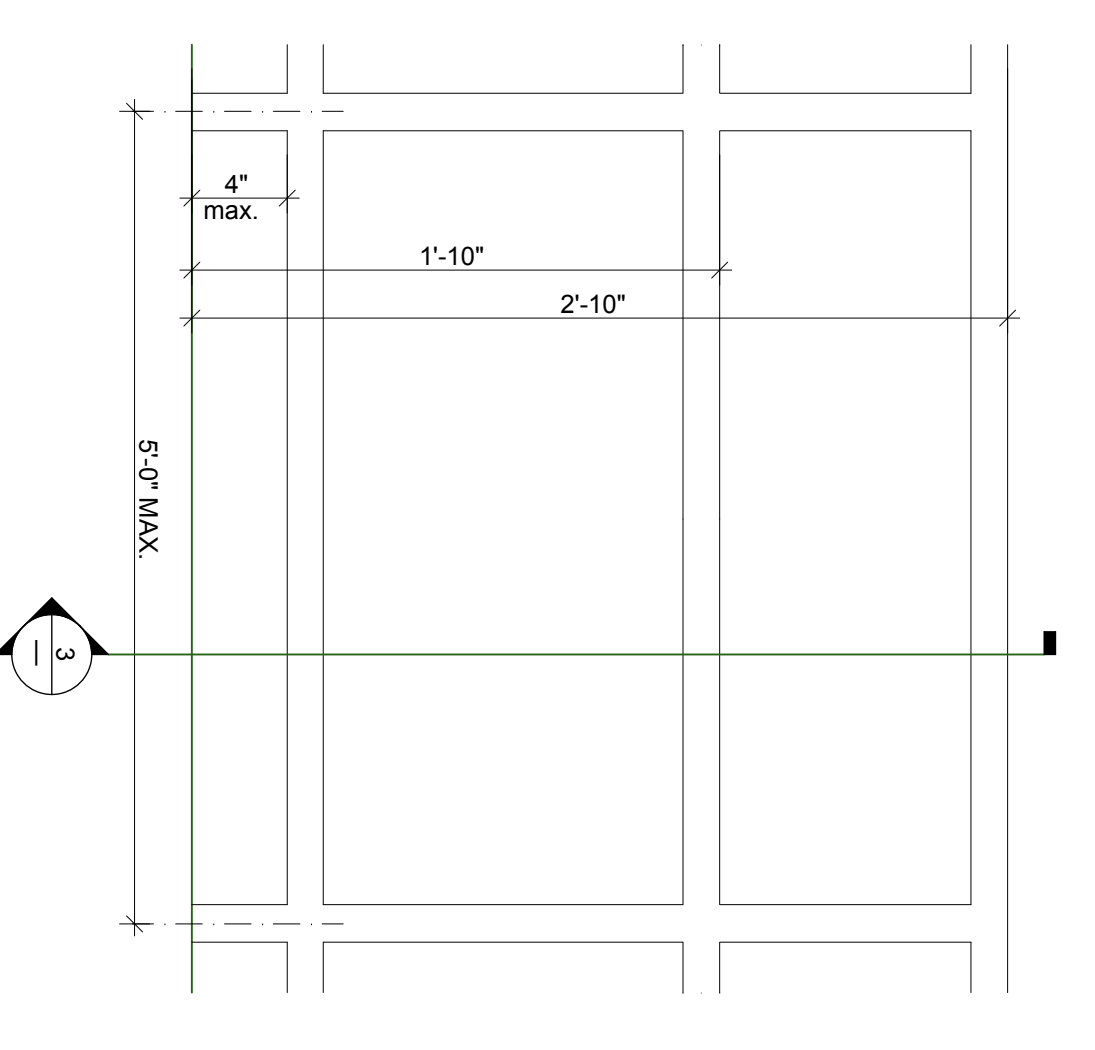
- EX1 RELOCATED SOUND PLAY MARIPIBA, ATTACH NEW WALLS.
- EX2 REINSTALL 1.9' X 1.9' MARIPIBA MARIPIBA PANEL ACTIVITY CENTER IN ORIGINAL LOCATION.
- EX3 EXISTING BENCH TO REMAIN.
- EX4 RELOCATED RAIN BARREL.
- EX5 RELOCATED PICNIC TABLE.
- EX6 NEW GAS STATION PANEL, MEYER DESIGN, INC. TO BE MOUNTED ON EXISTING POSTS.
- EX7 REINSTALL STOP SIGN IN ORIGINAL LOCATION.
- EX8 NEW FARMERS MARKET PANEL, MEYER DESIGN, INC. TO BE MOUNTED ON EXISTING POSTS.
- EX9 EXISTING ARCH BRIDGE TO REMAIN.
- EX10 EXISTING 8' X 8' PLAYHOUSE TO REMAIN. INSTALL NEW SINK AND STOVE.

**PLAYGROUND EQUIPMENT NOTES**

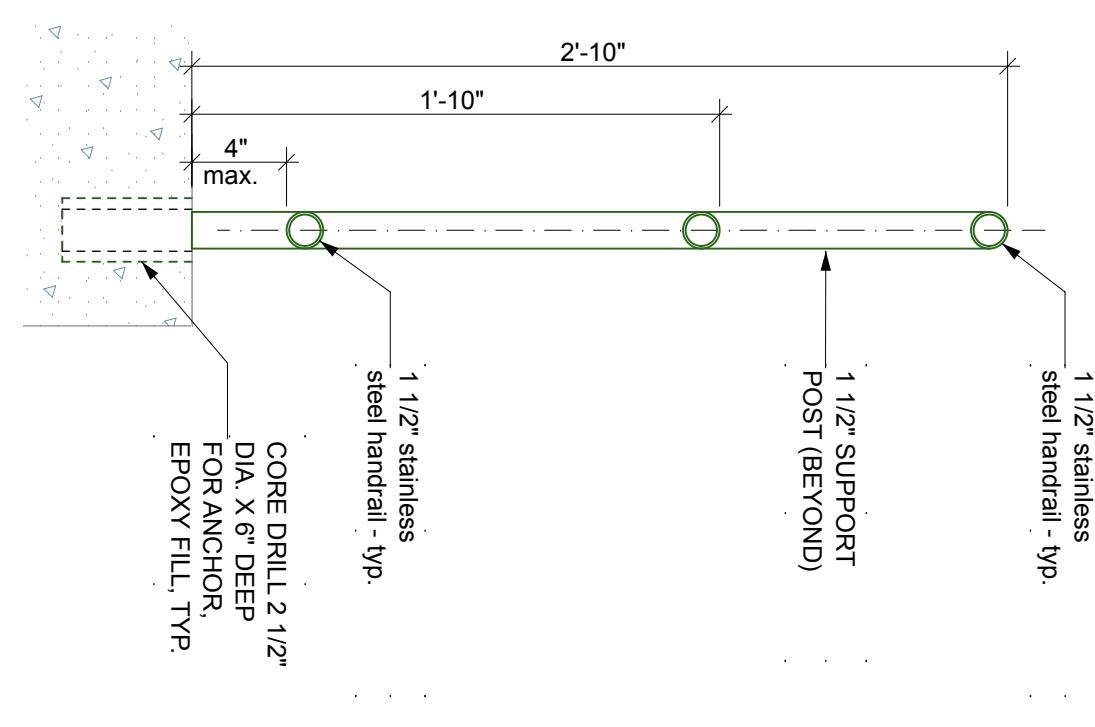
- P1 STORAGE BENCH (4 FT) - MEYER DESIGN, INC.
- P2 THEATRE STAGE ATTACHMENTS - MEYER DESIGN, INC.
- P3 (6) BARN STONE SEATING
- P4 FLOWER AND POST - ULTRAPLAY
- P5 ULTRAPLAY CYMBALS (IN-GROUND POSTS) - ULTRAPLAY
- P6 MAIN STREET TROLLEY - MEYER DESIGN, INC.
- P7 TRIPLE ARCH BRIDGE (5' X 8') - MEYER DESIGN, INC.
- P8 PLAY STRUCTURE WITH (3) FRAME ROOFS FOLLOWING ELEMENTS INCLUDING THE FOLLOWING ELEMENTS:  
- FRAME STAIRCASE & RISE ATTACHMENT  
- RAMP CLIMBER WITH CELESTIAL AND ORBE  
- DOUBLE SLIDE  
- ROCK WALL  
- CLIMBER ENTRY PANEL  
- VERTICAL LADDER
- P9 NATURAL HOLLOW LOG TUNNEL (4 FT)
- P10 LARGE STEPPING STONES - ULTRAPLAY
- P11 (3) CONIFER CLIMBERS - PLAYCRAFT SYSTEMS
- P12 WATER TABLE - MEYER DESIGN, INC.
- P13 SAND TABLE - MEYER DESIGN, INC.
- P14 OCTAGONAL BENCH (6 FT) - MEYER DESIGN, INC.
- P15 TRIKE STORAGE (4' X 4' X 8') - MEYER DESIGN, INC.
- P16 VINYL 4 BEAM PERGOLA - FIFTHROOM
- P17 (2) CHILDREN'S PICNIC TABLES (6 FT) - MEYER DESIGN, INC.
- P18 TRIPLE HOOP - PLAYCRAFT SYSTEMS
- P19 NATURAL CONSTRUCTION BUILDING AREA MEYER DESIGN, INC. INCLUDING THE FOLLOWING ELEMENTS:  
- (2) STORAGE SHELF WITHOUT DOORS  
- NATURAL HORIZONTAL LOG (4 FT)  
- (1) LARGE BOWTIE VERTICAL LOG ENDING, VARIOUS DIAMETERS (4 FT)  
- (2 SETS OF (6) NATURAL CEDAR TREE  
- (2) WOOD PLANKS (4 FT)
- P20 MULTISPRING SCHOOL BUS - PLAYCRAFT SYSTEMS
- P21 OCTAGONAL BENCH (4 FT) - MEYER DESIGN, INC.
- P22 DOUBLE TOT SLIDER - MEYER DESIGN, INC.
- P23 TOWER PLAY STRUCTURE (PLAYCRAFT) INCLUDING THE FOLLOWING ELEMENTS:  
- BLOCK CLIMBER  
- SLIDE WALLS  
- SLIDE  
- DECK TO STEP  
- HEXAGON SHAPE ROOF  
- ENTRY AND ACTIVITY PANELS



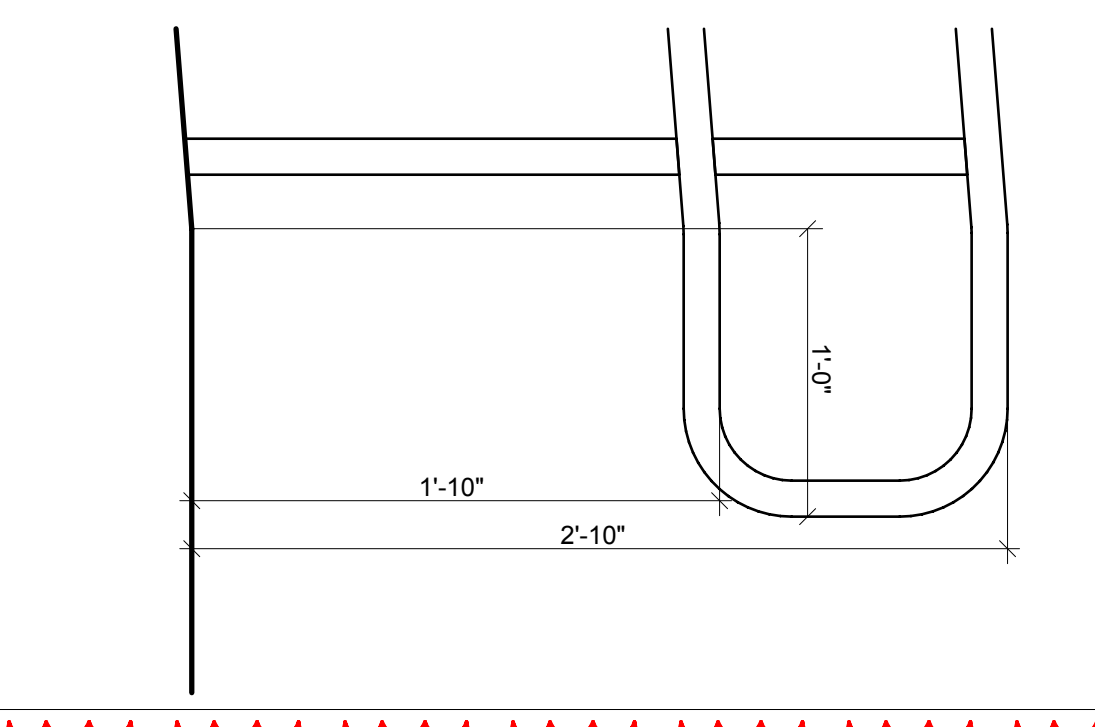
**1 ARCHITECTURAL SITE PLAN**  
SCALE: 1" = 10'



**2 RAILING DETAIL**  
SCALE: 1/2" = 1'-0"



**3 RAILING DETAIL**  
SCALE: 1/2" = 1'-0"



**4 RAILING DETAIL**  
SCALE: 1/2" = 1'-0"

**SCOPE DOCUMENT**  
This drawing is one drawing within a complete set of documents and shall indicate the general scope of the project in terms of architectural design and construction. The drawings do not necessarily include or describe all work items, materials, or methods of construction. On the basis of the general scope included or excluded and completion of the work, all items required for the project.  
Copyright Notice, Copyright © 2020 STR PARTNERS, LLC  
The information in this document is the intellectual property of STR Partners, LLC. Reproduction of any portion of this document for any purpose other than that intended is prohibited without the express written permission of STR Partners, LLC.  
**PROJECT**  
**EEC Playground RN**  
882 W Nippersink Rd  
Round Lake, IL 60073

**Community Unit School District #116**  
884 W Nippersink Rd  
Round Lake, IL 60073  
CLIENT PROJECT NUMBER  
**21033**  
SIT PROJECT NUMBER  
**21033**  
DRAWING DATES  
NUMBER DATE COMMENTS

JUN 2, 2021 APPROVAL 2  
MAY 21, 2021 APPROVAL 1  
MAY 13, 2021 ISSUE FOR BID AND PERMIT  
DRAWING TITLE  
**PLAYGROUND PLAN**