



TOWN OF PUTNAM CT VETERANS ADVISORY COMMITTEE (VAC) **AGENDA**

Tuesday, August 8, 2023 @ 7:00 PM (2<sup>nd</sup> Tuesdays of the month)

Putnam Municipal Complex - Community Room 201

200 School Street, Putnam, CT

[Join Zoom Meeting](#)

<https://us04web.zoom.us/j/74795148660?pwd=Jj3De0awmlezhChxcYbD1kQ06iuKU2.1>

Meeting ID: 747 9514 8660

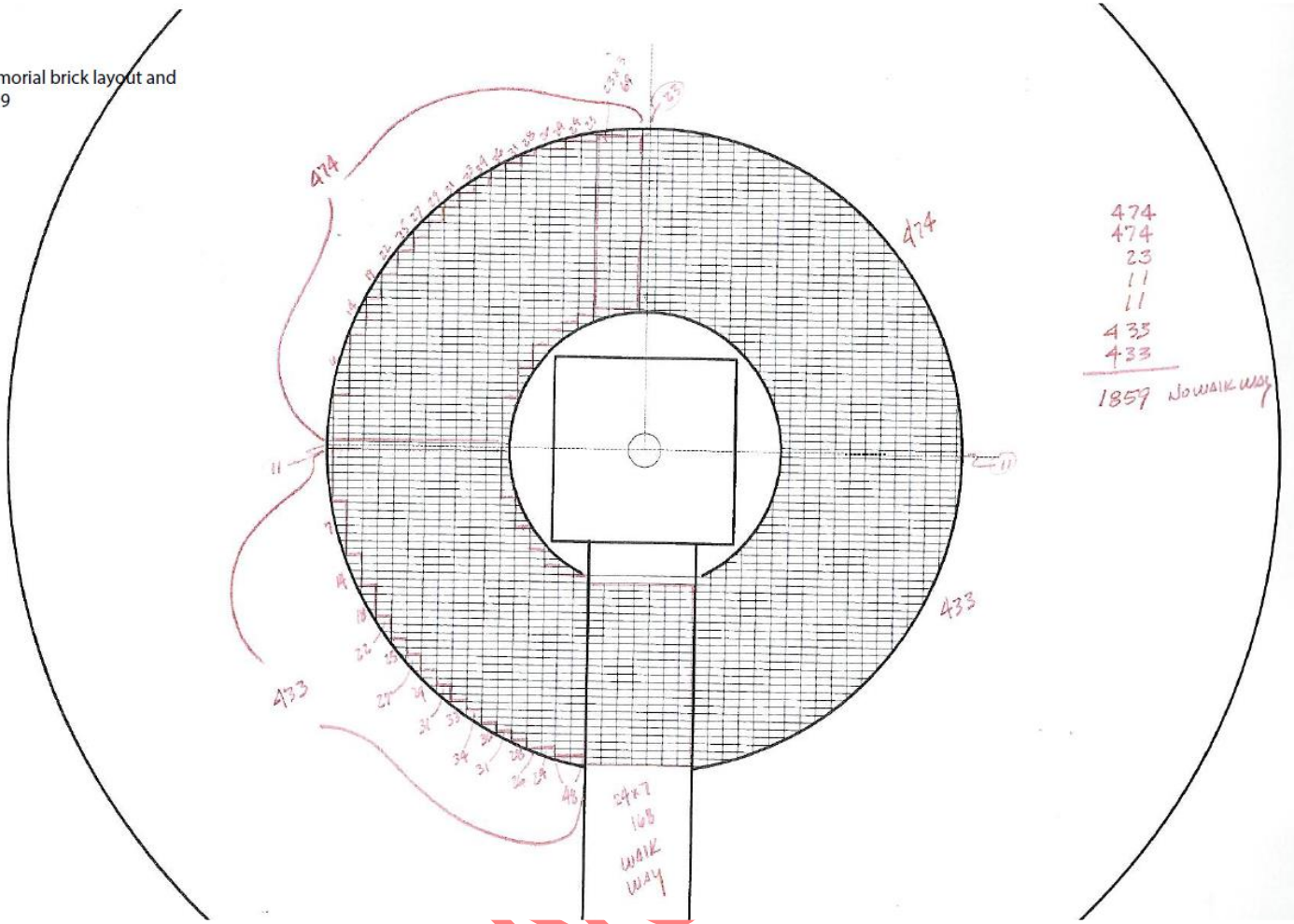
Passcode: D184nd

1. Call to Order by the Committee Chairman
2. Pledge of Allegiance
3. Public Comment – 3 – minute maximum per person
4. Approval of Minutes from last meeting July 11, 2023
5. Communications
6. Reports of Standing Committees
  - A. Cemetery Committee
  - B. Flagpole Grove Street Monument
  - C. Memorial Day Parade Committee
  - D. Hometown Heroes Banners
7. Reports of Special Committee
  - A. Veterans Park (127 Church St) Revitalization: Phase I (fence/shrubs), including Memorial Bricks (layout plan for 1859 bricks attached)
  - B. Veterans Park (127 Church St) Revitalization: Phase 2
  - C. Quarterly audit status: Trustees Barney, Dave G, Jim B.
  - D. Other:
    - i. Chicken BBQ fundraiser, Sunday September 24, 2023, 2-5pm served at VFW
8. Unfinished Business
9. Grant Considerations and Updates
10. New Business
  - A. Uniform Memorials
  - B. Tree Removal quotes for Nancy Drive, Aspinwall Cemetery
  - C. New fundraiser idea - military experience – ie: submarine entrance, coast guard boat – (something local and smaller scale of what Barney did on the aircraft carrier)
11. Public Comment – 3- minute maximum per person
12. Adjournment

**NEXT MEETING: TUESDAY, September 12, 2023, 7PM**

Members: Robert Challinor Jr., David Gilbert, Alan R. Joslin, Michael Vassar, Jim Bradley, Hans W. Lowell, Brian Maynard (tendered his resignation)  
Willie Bousquet (Ex Officio – Town of Putnam Parks and Recreation Department Head)  
Mayor Barney Seney (Ex Officio – Town of Putnam Executive Head).  
Memorial Day Parade & Event Committee: Arthur “Buster” Corey, Harold Charbonneau

7-13-23 memorial brick layout and  
count = 1859



**CANCELED IN**