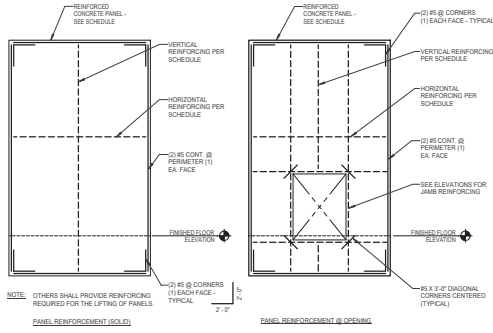


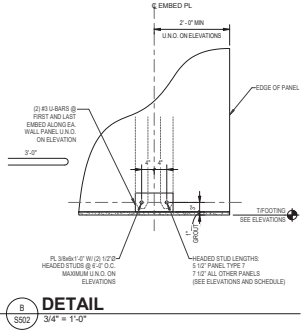
10/27/2018 11:53:46 AM  
 D  
 C  
 B  
 A  
 CS:\projects\15094\DWG\15094\_030201.dwg  
 User: THEBATES\GUY  
 Sheet: 030  
 Job: 15094



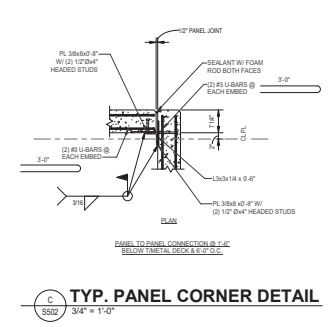
TYPE	PANEL THICKNESS	VERT. REINFORCING	HORIZ. REINFORCING
(1)	7 1/4"	#5 @ 12" O.C.	#5 @ 18" O.C.
(2)	9 1/4"	#5 @ 9" O.C.	#5 @ 17" O.C.
(3)	11 1/4"	#5 @ 12" O.C.	#5 @ 18" O.C.

- NOTES:
- A. HORIZONTAL DIMENSIONS ARE GIVEN TO THE CENTERLINE OF JOINT. TYPICAL UNLESS NOTED OTHERWISE.
  - B. ALL JOINTS 1/2" WIDE. TYPICAL UNLESS NOTED OTHERWISE.
  - C. EXPOSED BEAMS SHOULD HAVE 3/4" CHAMFER ALONG TOP EDGES OF PANEL ALONG EXTERIOR AND INTERIOR PANEL EDGES. TYPICAL UNLESS NOTED OTHERWISE.
  - D. VERIFY ALL OPENING DIMENSIONS PRIOR TO FORMING & POURING OF PANELS.
  - E. DOOR FRAMES TO BE POURED INTEGRAL WITH TILT WALL PANEL.
  - F. COORDINATE LOCATIONS OF ALL EMBEDDED ITEMS PRIOR TO FORMING & POURING OF PANELS.
  - G. REINFORCING SHALL BE PLACED @ MID-DEPTH OF PANEL. TYPICAL UNLESS NOTED OTHERWISE. SEE EMBED FOR REINFORCING AT JAMBS AND BEAMS.
  - H. REVEAL DEPTHS ON EXTERIOR FACE OF PANEL SHALL NOT EXCEED 3/4".

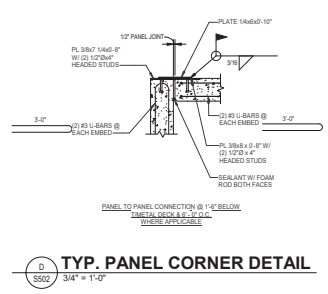
**DETAIL**  
3/4" x 1'-0"



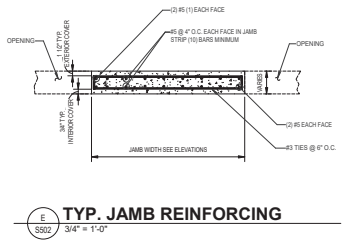
**DETAIL**  
3/4" x 1'-0"



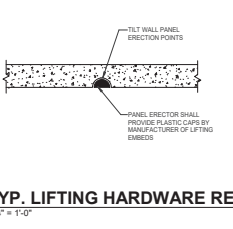
**TYP. PANEL CORNER DETAIL**  
3/4" x 1'-0"



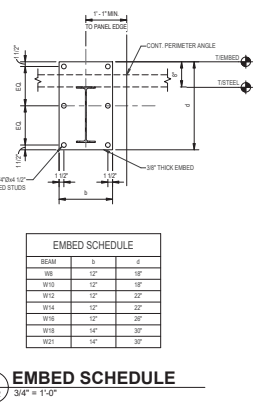
**TYP. PANEL CORNER DETAIL**  
3/4" x 1'-0"



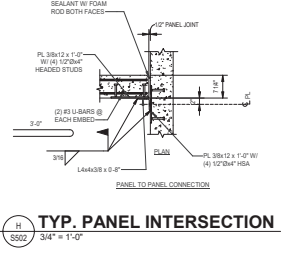
**TYP. JAMB REINFORCING**  
3/4" x 1'-0"



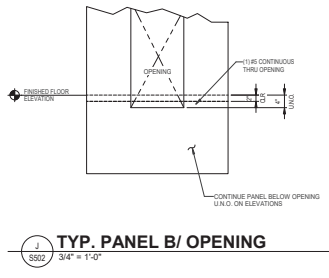
**TYP. LIFTING HARDWARE REPAIR**  
3/4" x 1'-0"



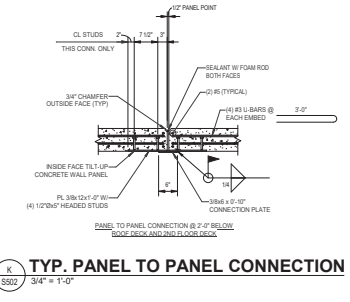
**EMBED SCHEDULE**  
3/4" x 1'-0"



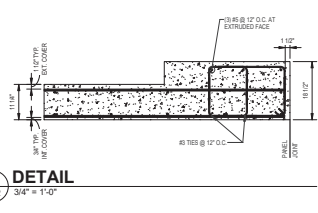
**TYP. PANEL INTERSECTION**  
3/4" x 1'-0"



**TYP. PANEL B/ OPENING**  
3/4" x 1'-0"



**TYP. PANEL TO PANEL CONNECTION**  
3/4" x 1'-0"



**DETAIL**  
3/4" x 1'-0"