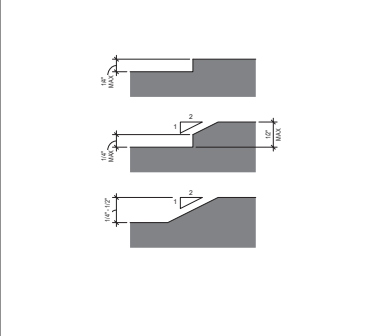
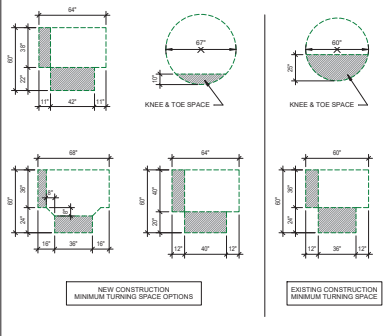


19111-0002 (2015) 1/24/16
 C:\pwworking\mussmanarchitects.com\Projects\TCCCA\DWG\2017_03_FLOORING_TRANSITIONS.dwg
 19111-0002 (2015) 1/24/16
 C:\pwworking\mussmanarchitects.com\Projects\TCCCA\DWG\2017_03_FLOORING_TRANSITIONS.dwg

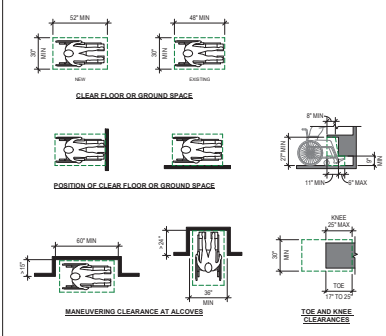
ANSI 2017_03 FLOORING TRANSITIONS



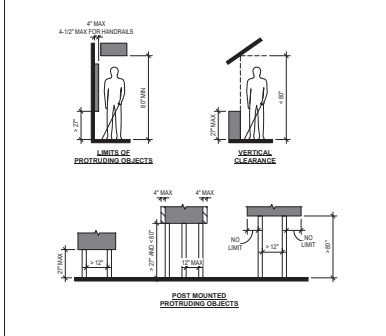
TURNING AREA



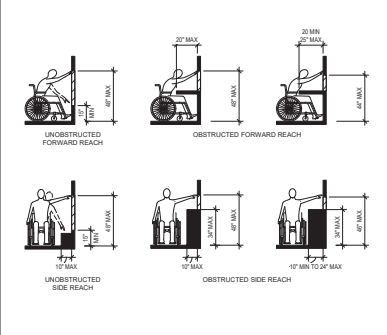
CLEAR SPACE REQUIREMENTS



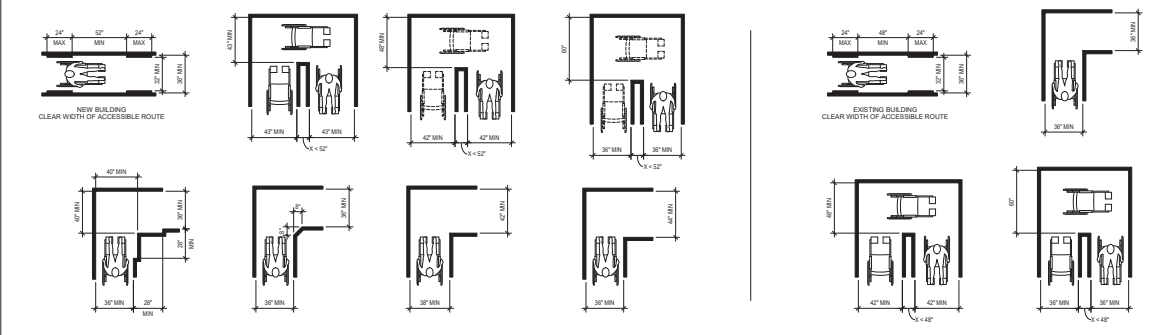
PROTRUDING OBJECTS



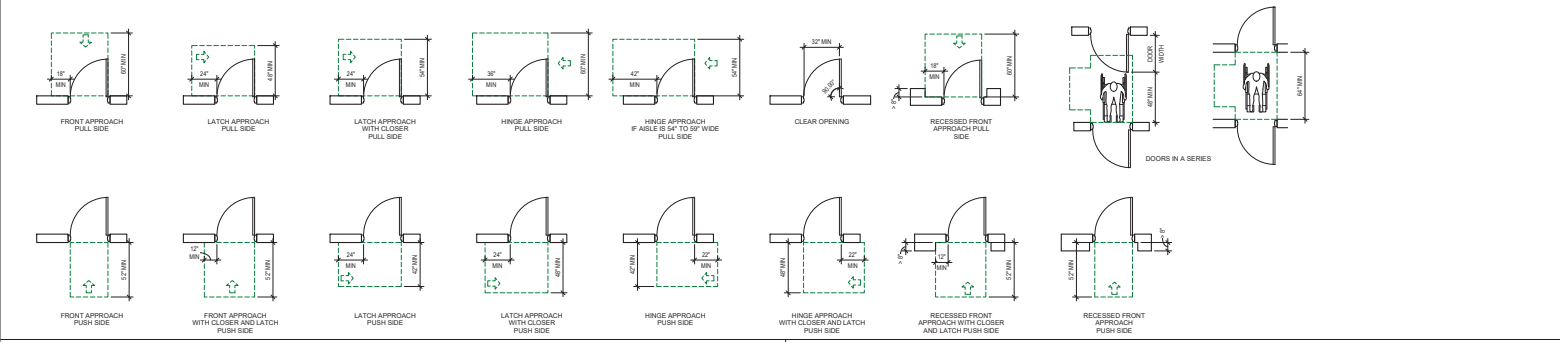
REACH RANGE



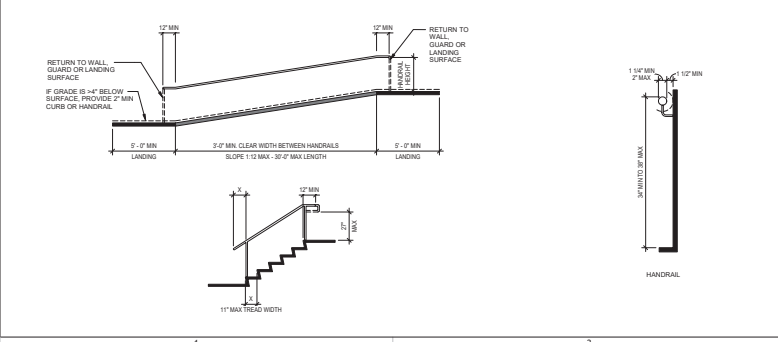
ACCESSIBLE ROUTE REQUIREMENTS



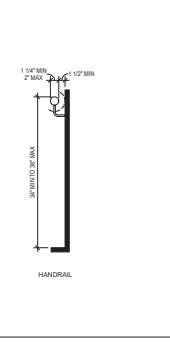
DOOR APPROACH CLEARANCES



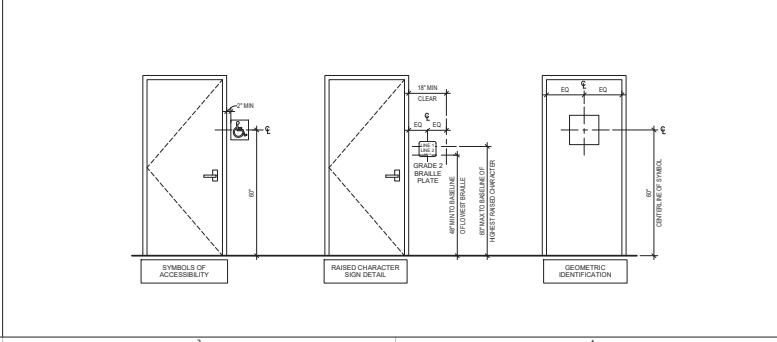
ACCESSIBLE STAIR & RAMP REQUIREMENTS



ANSI 2017_05 HANDRAILS



ACCESSIBLE DOOR SIGN LOCATION GUIDELINES





MUSSMAN ARCHITECTS
 610 N. WALSH STREET
 SUITE 100
 TAMPA, FLORIDA 33606
 TEL: 813.251.1234 FAX: 813.251.1235
 WWW.MUSSMANARCHITECTS.COM



STATE SEAL: 10.07.2022



TCCCA HIGH SCHOOL BUILDING
 1400 SE COVE RD
 STUART FLORIDA 34997

SHEET ISSUE:

NO.	DATE	DESCRIPTION	BY
1	10/17/21	Project Submittal	AC

SHEET TITLE:
ACCESSIBILITY (ANSI 2017) GUIDELINES

SHEET NO. 022004

G020