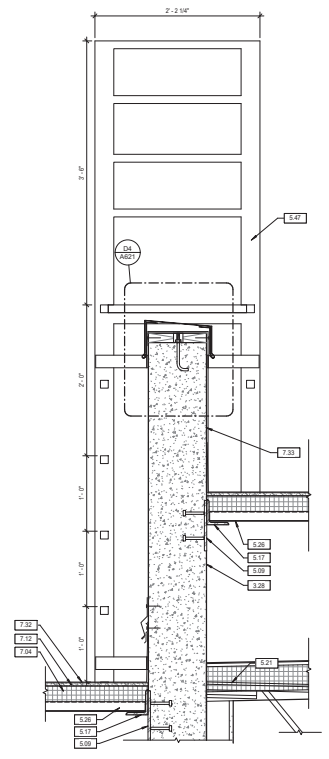
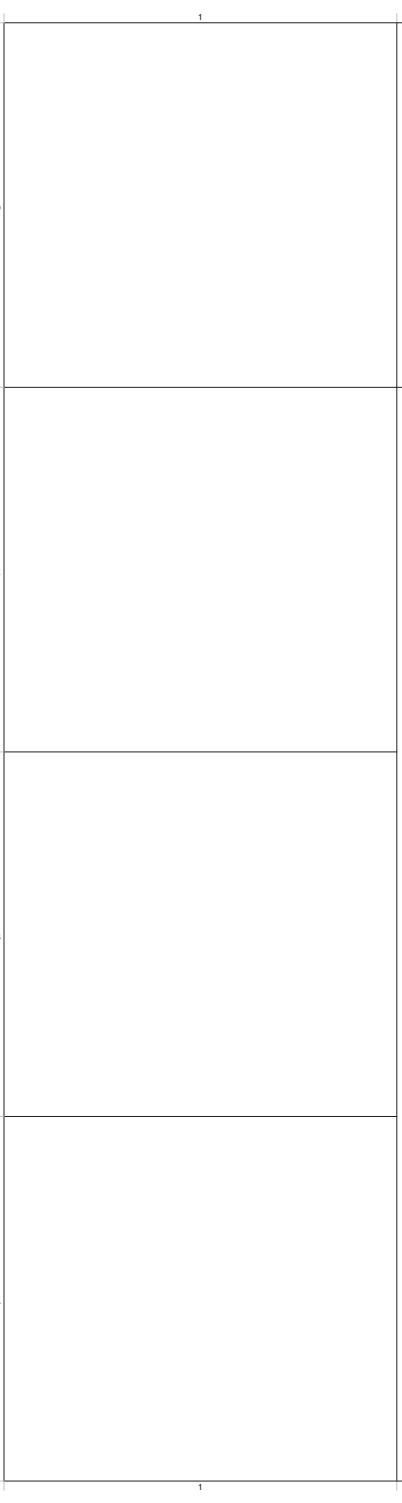
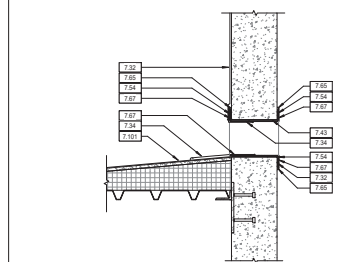


18111 2022 1901316

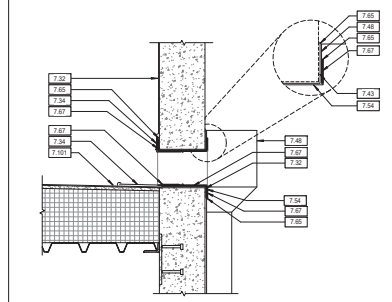
C:\drawing\dwg\dwg\DWG\2022\Jrns\1901316_22_21.dwg



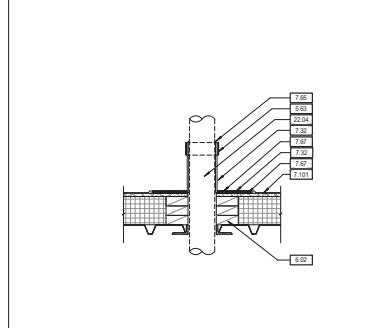
AL
402 ROOF_ACCESS LADDER OVER WALL
1 1/2" x 1'-0"



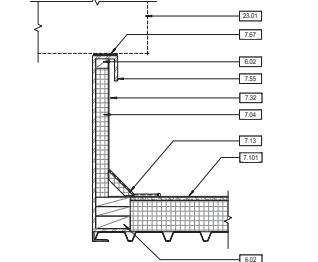
CI
402 ROOF_OVERFLOW SCUPPER DETAIL @ TILT
1 1/2" x 1'-0"



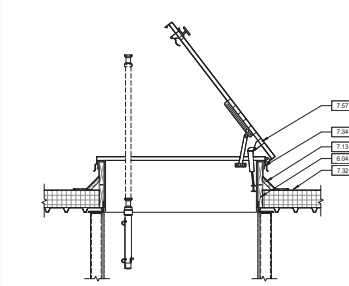
BI
402 ROOF_SCUPPER & CONDUCTOR HEAD
1 1/2" x 1'-0"



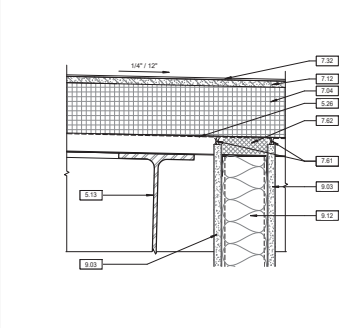
BI
402 ROOF_PIPE PENETRATION
1 1/2" x 1'-0"



CA
402 ROOF_RTU CURB
1 1/2" x 1'-0"

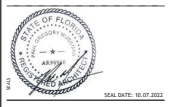
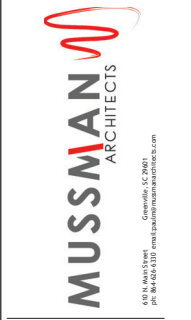


BA
402 ROOF_ACCESS HATCH
3/4" x 1'-0"



AL
402 ROOF @ ELEVATOR SHAFT
3" x 1'-0"

- DRAWING NOTES**
- 3.28 TILT-UP CONCRETE PANELS. REFER TO ARCHITECTURAL DETAILS & FOR PROFILES. REFER TO STRUCTURAL DRAWINGS FOR TYPE AND REINFORCEMENT.
 - 5.09 METAL ANCHOR PLATE. REFER TO STRUCTURAL DRAWINGS
 - 5.13 METAL STRUCTURAL BEAM. REFER TO STRUCTURAL DRAWINGS
 - 5.17 METAL ANGLE. REFER TO STRUCTURAL DRAWINGS.
 - 5.21 PRE-ENGINEERED METAL ROOF JOIST. REFER TO STRUCTURAL DRAWINGS.
 - 5.26 METAL ROOF DECKING. REFER TO STRUCTURAL DRAWINGS.
 - 5.47 METAL ACCESS LADDER. PROVIDE EXTENSIBLE SAFETY RAIL WHERE REQUIRED. REFER TO SPECIFICATIONS.
 - 5.63 METAL CLAMP.
 - 6.02 PRESSURE TREATED WOOD BLOCKING AS REQUIRED.
 - 6.04 CONTINUOUS PRESSURE TREATED WOOD BLOCKING.
 - 7.04 RIGID INSULATION. REFER TO SPECIFICATIONS FOR R-VALUE.
 - 7.12 COVER BOARD. INSTALL PER MANUFACTURER'S INSTRUCTIONS.
 - 7.13 4" ROOF CANT STRIP. TYPICAL. AT ROOF PERIMETER.
 - 7.32 SINGLE PLY ROOFING MEMBRANE.
 - 7.33 EXTEND ROOF MEMBRANE UP AND OVER TOP OF PARAPET WALLS UNDER 2'-0" IN ACCORDANCE WITH MANUFACTURER'S INSTRUCTIONS. PROVIDE HIGH TEMPERATURE UNDERLAMENT.
 - 7.34 OVERLAP ROOFING MEMBRANE AS SHOWN AND SEAL WITH HOT AIR WELD.
 - 7.43 SELF-ADHERED FLASHING.
 - 7.48 PREFINISHED METAL CONDUCTOR HEAD & DOWNSPOUT. REFER TO PLUMBING DRAWINGS FOR SIZE. REFER TO FINISH SCHEDULE.
 - 7.54 TWO-PIECE STAINLESS STEEL THRU-WALL SCUPPER WITH 2" FLANGES ALL FOUR SIDES. PROVIDE PREFINISHED METAL TRIM AT OUTSIDE WALLS. REFER TO EXTERIOR MATERIAL SCHEDULE.
 - 7.55 PREMANUFACTURED CURB.
 - 7.57 ROOF HATCH. INSULATED. PROVIDE INTERIOR SHEET METAL SHIRT AND EXTENSIBLE SAFETY POST. REFER TO SPECIFICATIONS.
 - 7.61 INTUMESCENT FIREPROOFING CAULK AT ALL PENETRATIONS IN FIRE RATED ASSEMBLY.
 - 7.62 INSTALL FIRE STOPPING MATERIAL IN CONCEALED SPACES.
 - 7.65 SEALANT. CONTINUOUS BEAD.
 - 7.67 SEALANT BED.
 - 7.69 ROOFING ASSEMBLY.
 - 9.03 56" TYPE-X GYPSUM WALL BOARD.
 - 9.12 3/8" METAL STUD FRAMING SYSTEM.
 - 22.04 VENT PENETRATION THROUGH ROOF. REFER TO PLUMBING DRAWINGS.
 - 23.01 MECHANICAL EQUIPMENT. REFER TO MECHANICAL DRAWINGS.



TCCA HIGH SCHOOL BUILDING
1400 SE COVE RD
STUART FLORIDA 34997

NO.	DATE	DESCRIPTION	BY
1	10/21/22	Permit Set/Issue	MC

PREPARED BY: MC	DATE: 10/21/22
PROJECT ARCHITECT: MC	
DRAWN BY: MC	

SHEET TITLE:
ROOF DETAILS

SHEET NO. **A402** PROJ. NO. **022004**