

Attachment M



TMP ARCHITECTURE INC
1391 WEST SQUARE LAKE ROAD
BLOOMFIELD HILLS, MICHIGAN 48302
PH - 248.338.4561 FX - 248.338.0223
EM - INFO@TMP-ARCHITECTURE.COM

DIAGRAM GENERAL NOTES:

- THESE DRAWINGS REPRESENT THE GENERAL EXTENT AND ARRANGEMENT OF SYSTEMS. COORDINATE EXACT EQUIPMENT LOCATIONS, ELEVATIONS, AND FINAL CONNECTION REQUIREMENTS. PROVIDE EACH SYSTEM COMPLETE, INCLUDING ALL NECESSARY COMPONENTS, FITTINGS AND OFFSETS.
- FEEDER AND BRANCH CIRCUIT CONDUCTORS SHALL BE SIZED IN ACCORDANCE WITH THE "FEEDER AND BRANCH CIRCUIT SIZING SCHEDULE-GENERAL PURPOSE" ON THE "ELECTRICAL STANDARD SCHEDULES DRAWING" UNLESS SPECIFICALLY NOTED OTHERWISE.
- BASIS OF DESIGN IS *current based on design manufacturer* DISTRIBUTION EQUIPMENT AND ASCO TRANSFER SWITCHES. IF THE CONTRACTOR ELECTS TO PROVIDE EQUIPMENT FROM OTHER APPROVED MANUFACTURERS, THE CONTRACTOR SHALL BE RESPONSIBLE TO COORDINATE THE LAYOUT AND CLEARANCE REQUIREMENTS IN ALL SPACES CONTAINING ELECTRICAL EQUIPMENT AND PROVIDE EQUIPMENT MEETING THE SPECIFICATIONS AND ACHIEVING CODE REQUIRED CLEARANCES WITHIN THE SPACE PROVIDED.

DEMOLITION KEY NOTES:

- A. xxx
B. xxx

REGISTRATION SEAL

CONSULTANT



Peter Basso Associates Inc
CONSULTING ENGINEERS
5145 Livernois, Suite 100
Troy, Michigan 48098-3276
Tel: 248-879-5666
Fax: 248-879-0007
www.PeterBassoAssociates.com
PBA Project No: 2022.0385

PROJECT TITLE

Wylie
Elementary
School

Dexter Community
Schools

DRAWING TITLE

ONE LINE DIAGRAM

ISSUE DATES

DATE: ISSUED FOR:

DRAWN: TLC

CHECKED: STP

APPROVED: STP

PROJECT NO.

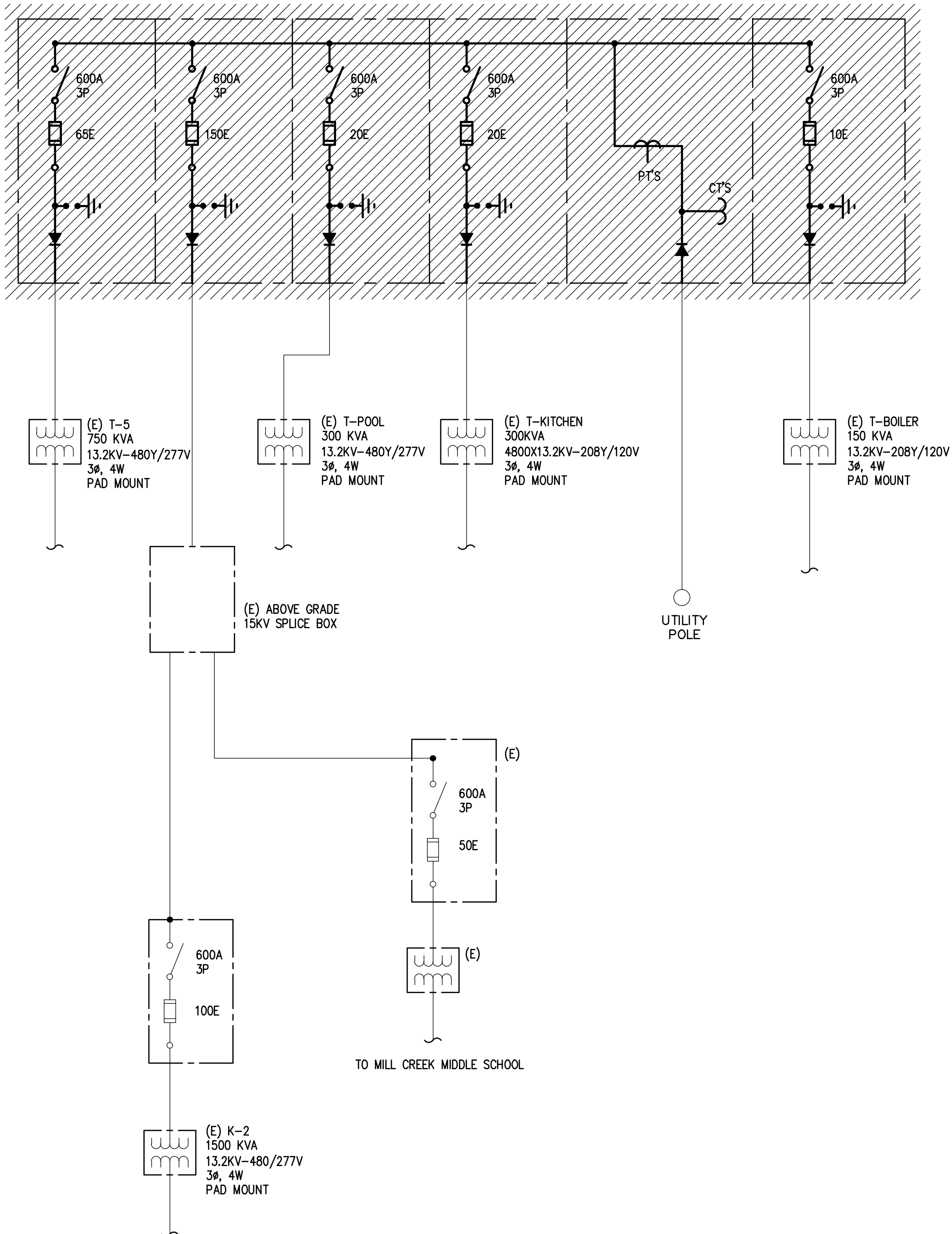
22072

DRAWING NO.

E5.1

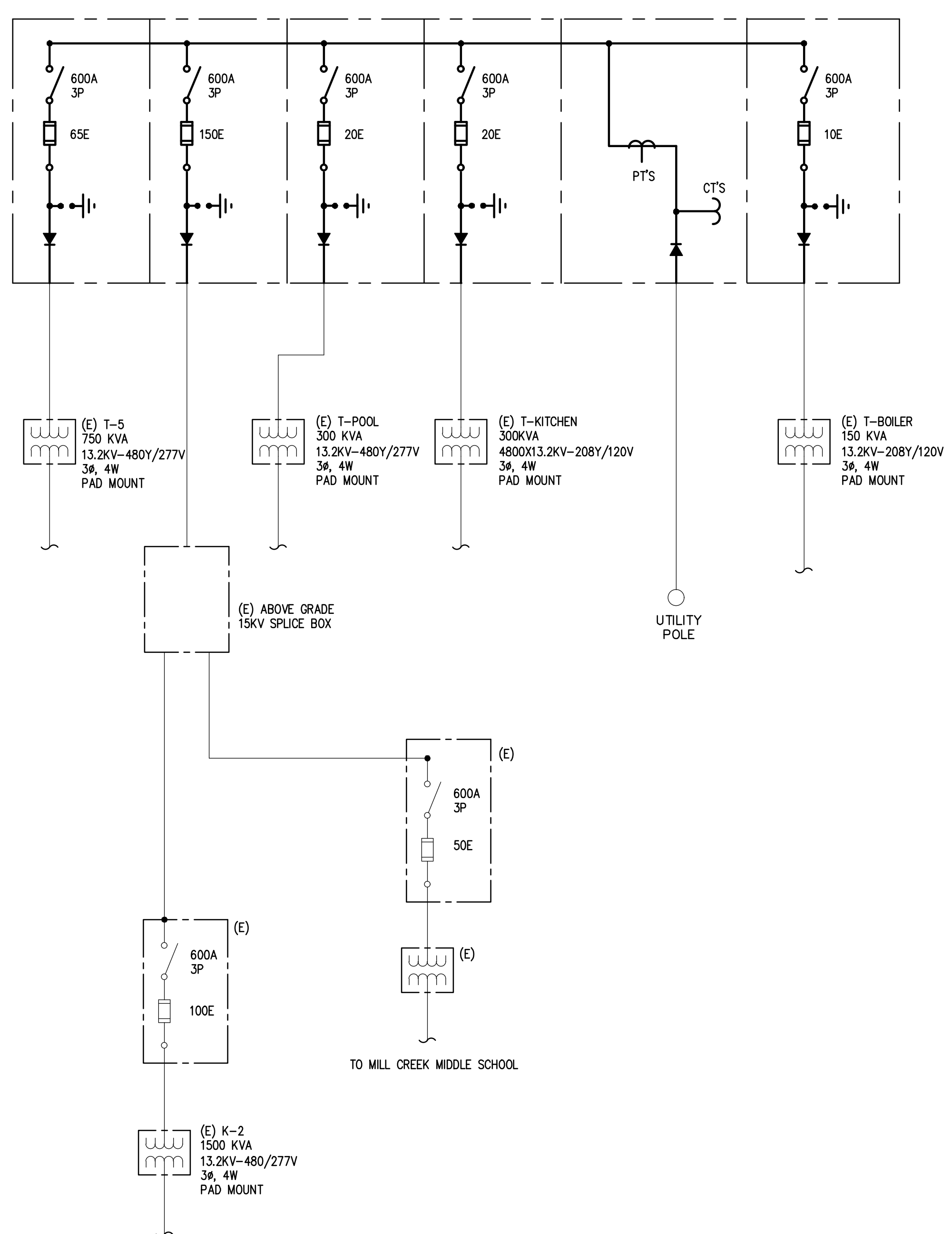
Not For Construction

PRIMARY SWITCHGEAR OUTDOOR TYPE (NEMA 3R) 15KV
METAL ENCLOSED AIR INTERRUPTER SWITCHGEAR, 600AMP BUS



DEMOLITION - ONE LINE DIAGRAM
NO SCALE

PRIMARY SWITCHGEAR OUTDOOR TYPE (NEMA 3R) 15KV
METAL ENCLOSED AIR INTERRUPTER SWITCHGEAR, 600AMP BUS



NEW WORK - ONE LINE DIAGRAM
NO SCALE