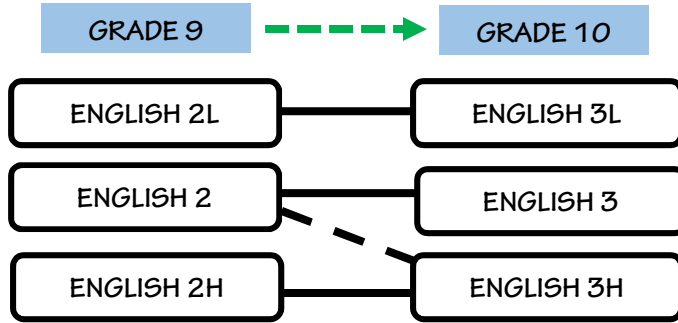


Course Guide for Sophomore Year

In each of the boxes below, locate your current core course to identify appropriate courses for next year

ENGLISH



★
Consider special programs such as:
CMTHS
ADVANCED PLACEMENT

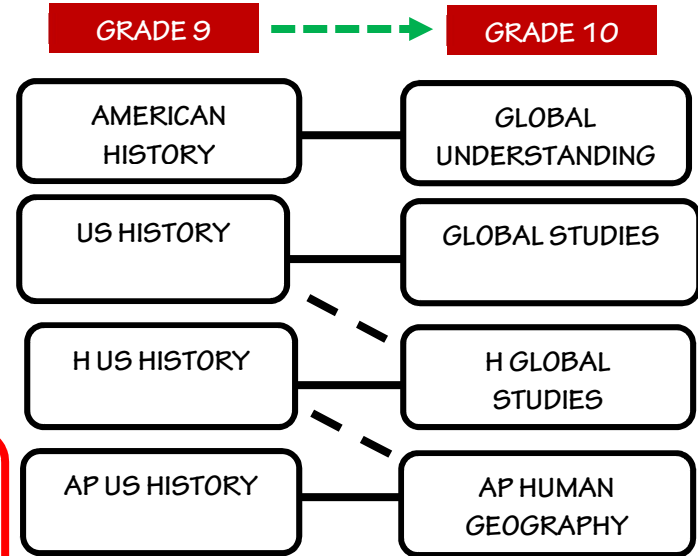
Freshman TO Sophomore

Junior Senior

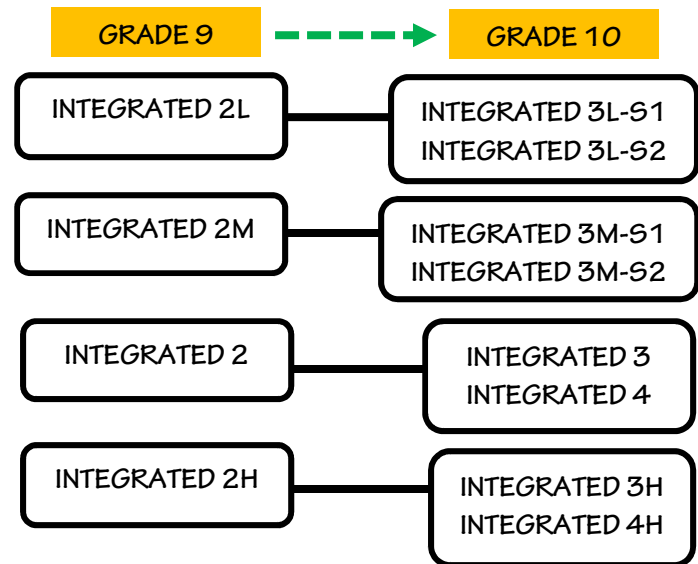
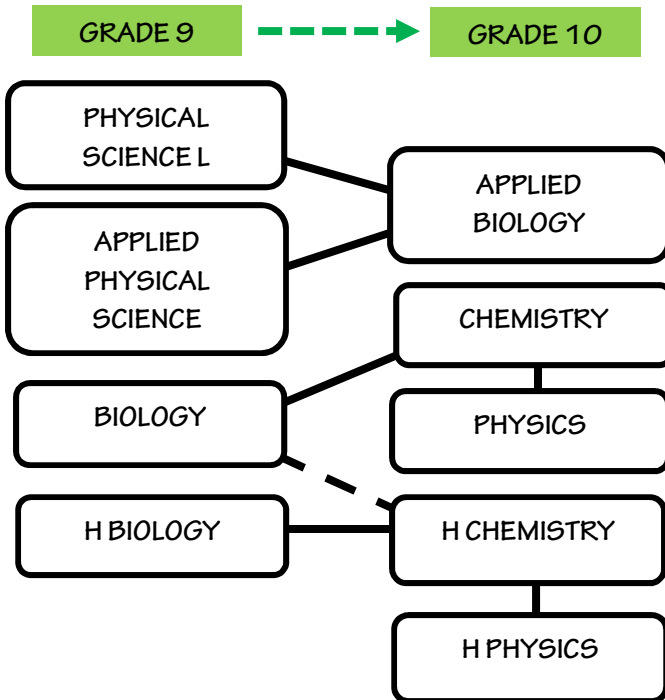
★
Focus on challenging yourself by scheduling rigorous courses aligned to your career path

It is your responsibility to review graduation requirements

SOCIAL STUDIES



SCIENCE



MATHEMATICS